



US00D696831S

(12) **United States Design Patent**
Kazaoka et al.

(10) **Patent No.:** **US D696,831 S**
(45) **Date of Patent:** **** Dec. 31, 2013**

(54) **FORKLIFT**
(71) Applicant: **Mitsubishi Heavy Industries, Ltd.**,
Tokyo (JP)
(72) Inventors: **Naoki Kazaoka**, Tokyo (JP); **Hiroyasu Aruga**, Tokyo (JP); **Akihiro Ishigami**,
Tokyo (JP)

D492,831 S * 7/2004 Kouyama D34/34
D557,474 S * 12/2007 Kouyama et al. D34/34
D557,872 S * 12/2007 Mori et al. D34/35
D576,775 S * 9/2008 Buchmann et al. D34/35
D579,623 S * 10/2008 Kim D34/34
D594,173 S * 6/2009 Shibata et al. D34/34
D657,932 S * 4/2012 Kazaoka et al. D34/34
D663,502 S * 7/2012 Lin D34/34

(73) Assignee: **Mitsubishi Nichiyu Forklift Co., Ltd.**,
Kyoto (JP)

FOREIGN PATENT DOCUMENTS
JP 1295336 S 3/2007

(**) Term: **14 Years**

OTHER PUBLICATIONS
Toyota, "Z-series", May 2011.

(21) Appl. No.: **29/441,524**

* cited by examiner

(22) Filed: **Jan. 7, 2013**

Primary Examiner — Cynthia Ramirez
(74) *Attorney, Agent, or Firm* — Birch, Stewart, Kolasch & Birch, LLP

(30) **Foreign Application Priority Data**

Jul. 12, 2012 (JP) 2012-016675

(51) **LOC (9) Cl.** **12-05**

(52) **U.S. Cl.**
USPC **D34/35**

(58) **Field of Classification Search**
USPC D34/34, 35; 414/465, 529, 785, 607,
414/572; 187/222, 237, 238, 89.12, 89.14,
187/89.17

See application file for complete search history.

(57) **CLAIM**
The ornamental design for a forklift, as shown and described.

(56) **References Cited**

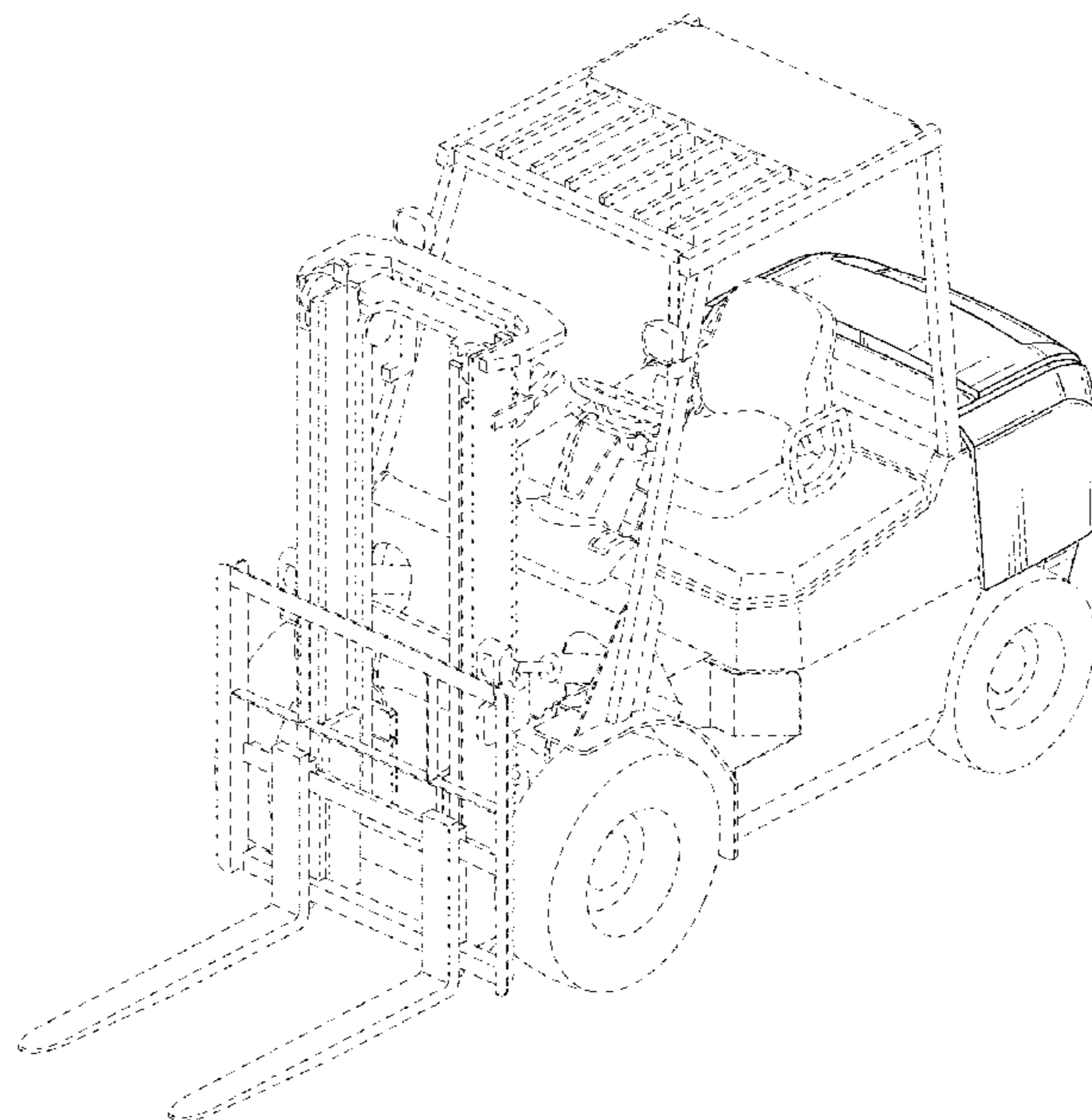
U.S. PATENT DOCUMENTS

D393,516 S * 4/1998 Hahn et al. D34/34
D448,136 S * 9/2001 Yurushi et al. D34/34
D471,339 S * 3/2003 Mori D34/34
D471,340 S * 3/2003 Shibata et al. D34/34

DESCRIPTION

FIG. 1 is a perspective view from the left side of a forklift.
FIG. 2 is a perspective view from the right side thereof.
FIG. 3 is a front elevation view thereof.
FIG. 4 is a rear elevation view thereof.
FIG. 5 is a right side elevation view thereof.
FIG. 6 is a left side elevation view thereof.
FIG. 7 is a top plan view thereof; and,
FIG. 8 is a bottom plan view thereof.
The portion of the article shown in broken lines is for the purpose of showing environmental structure only and forms no part of the claimed design.

1 Claim, 8 Drawing Sheets



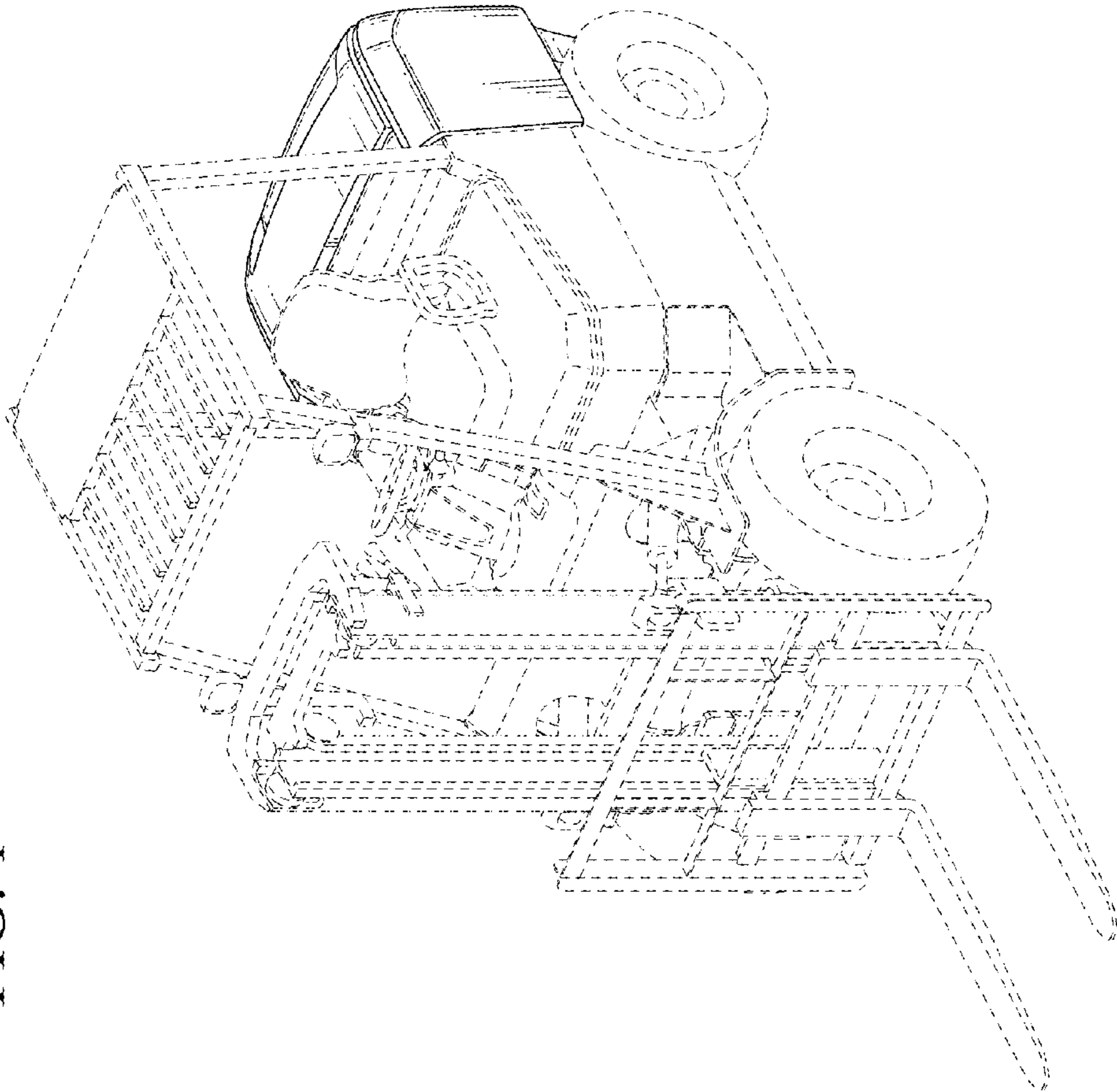


FIG. 1

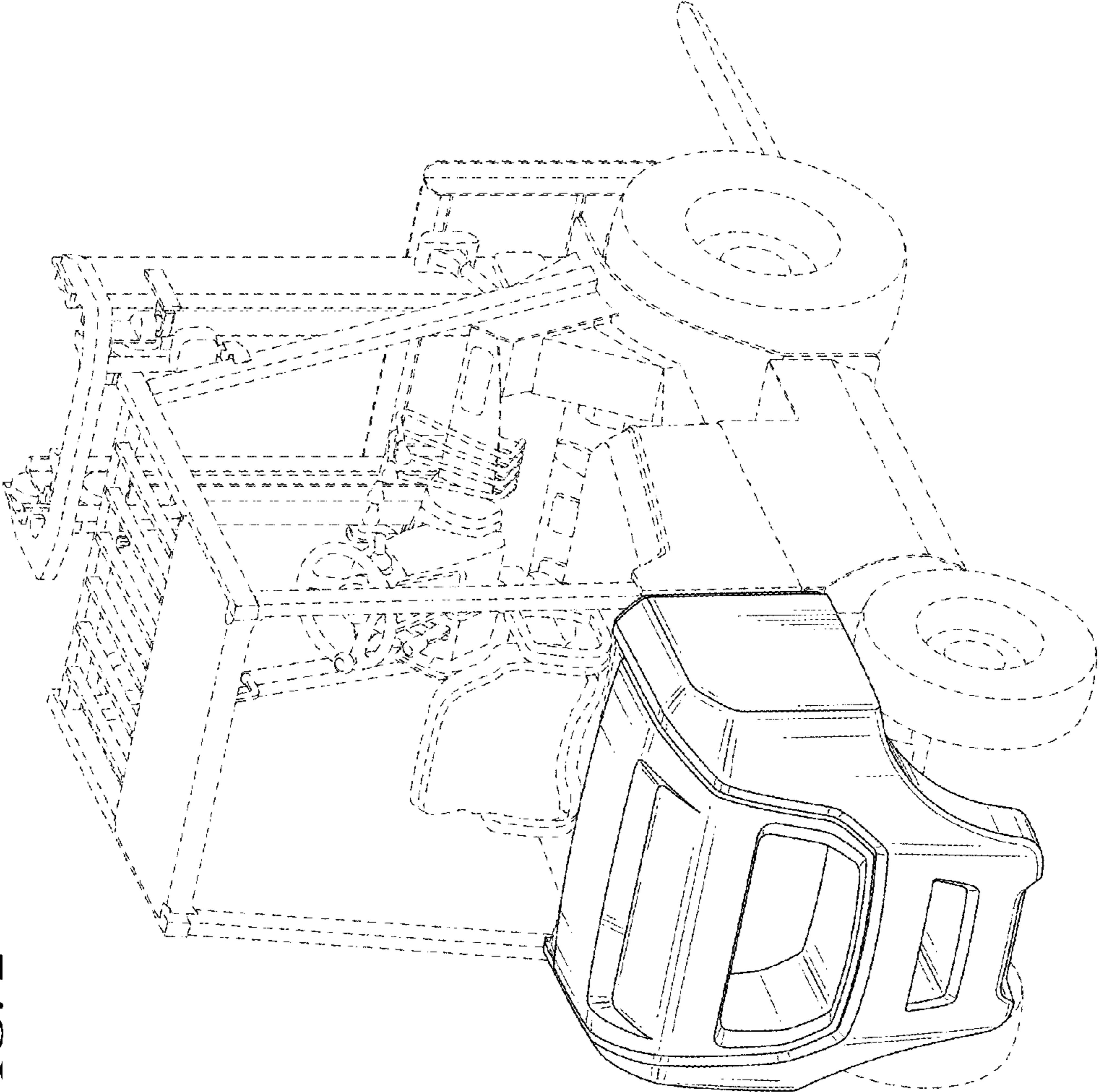


FIG. 2

FIG. 3

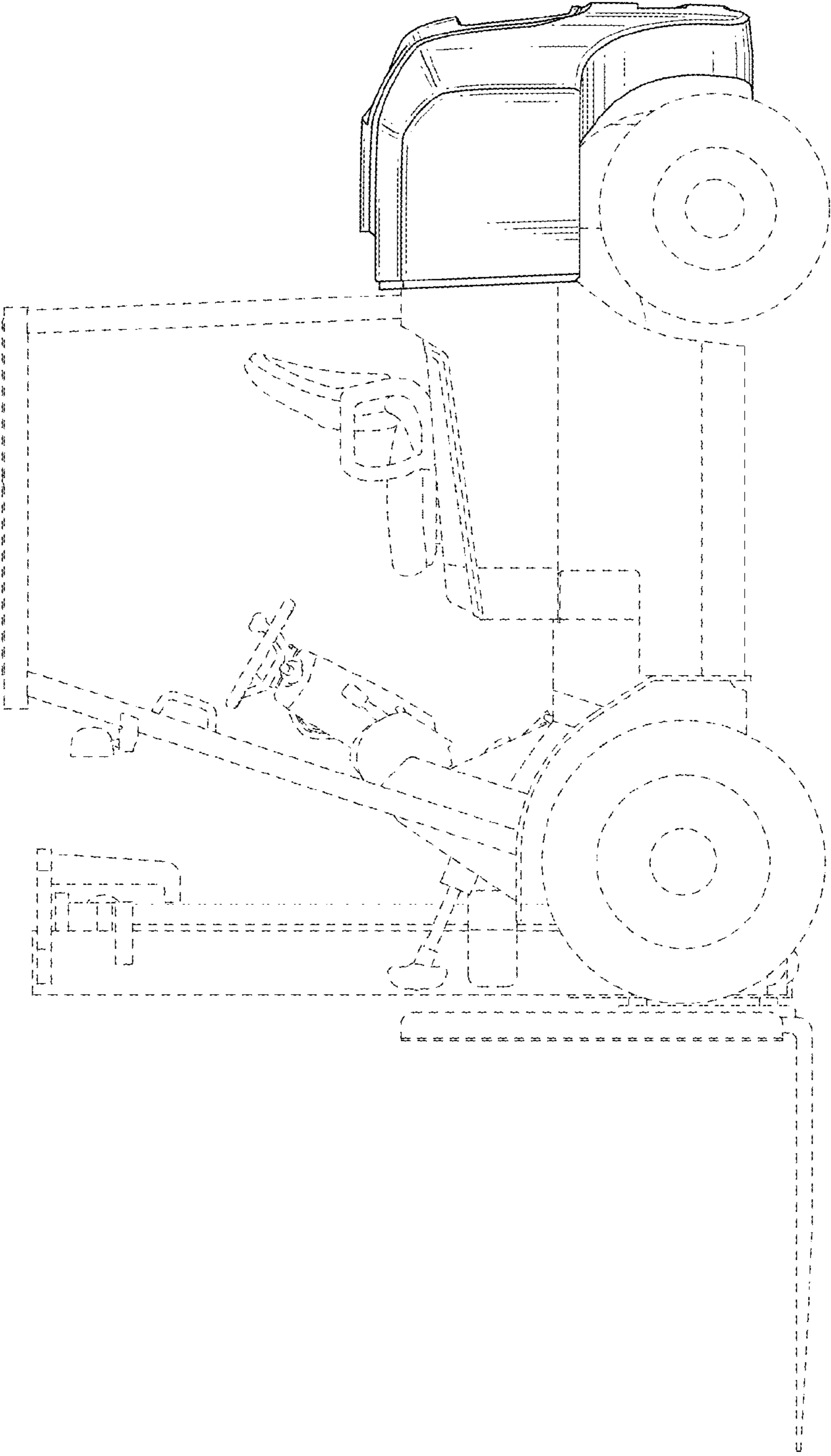


FIG. 4

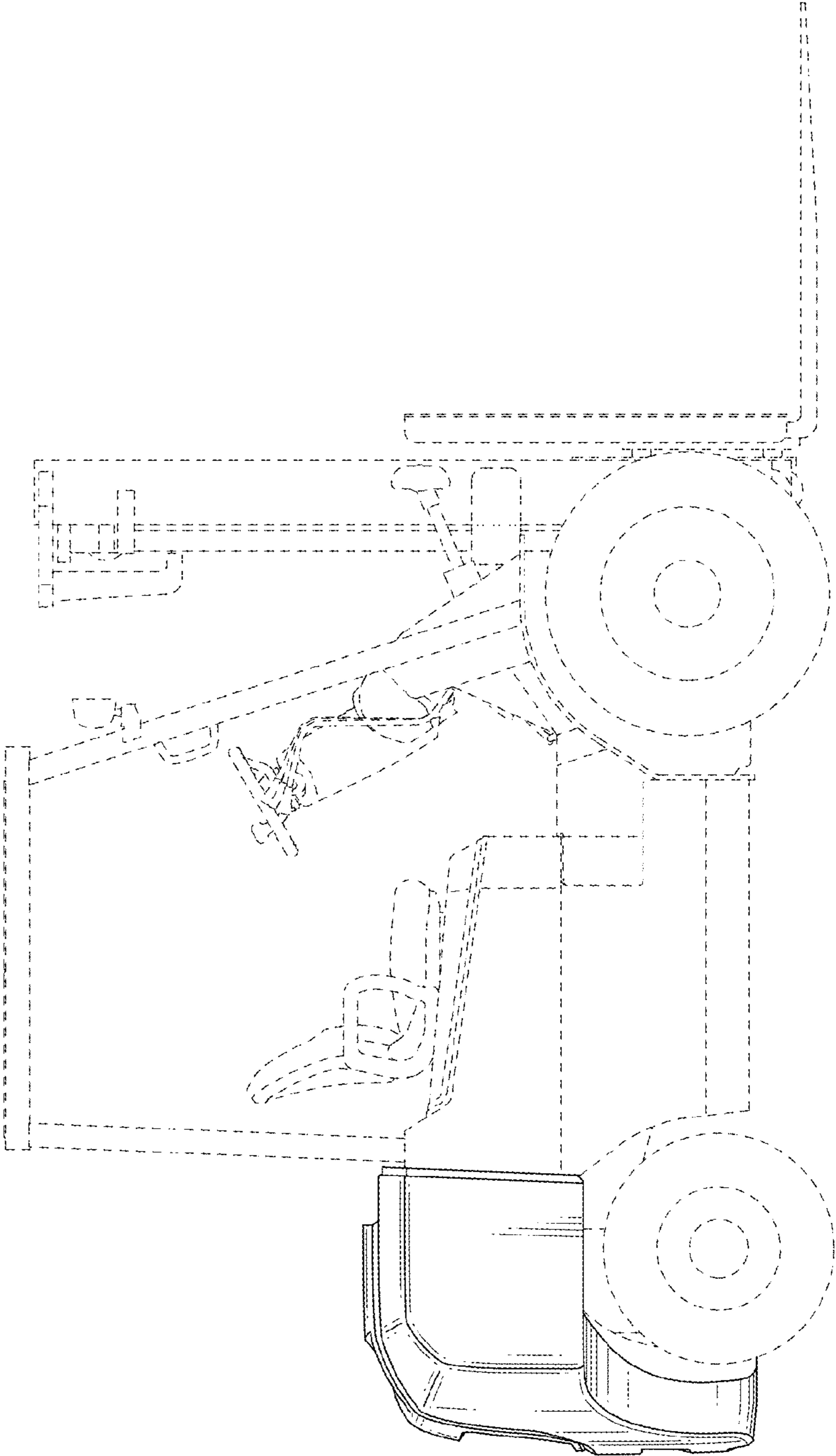


FIG. 5

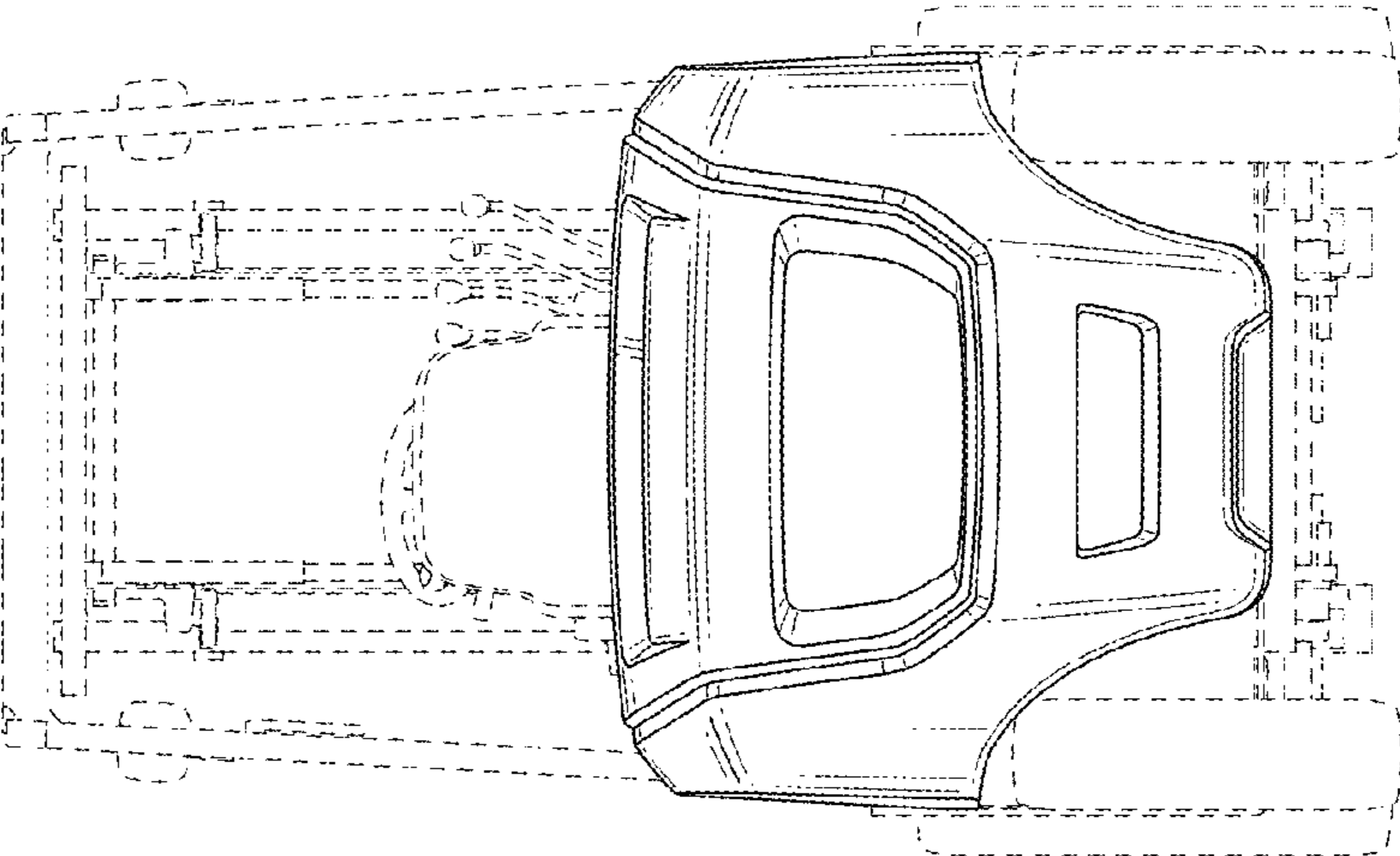


FIG. 6

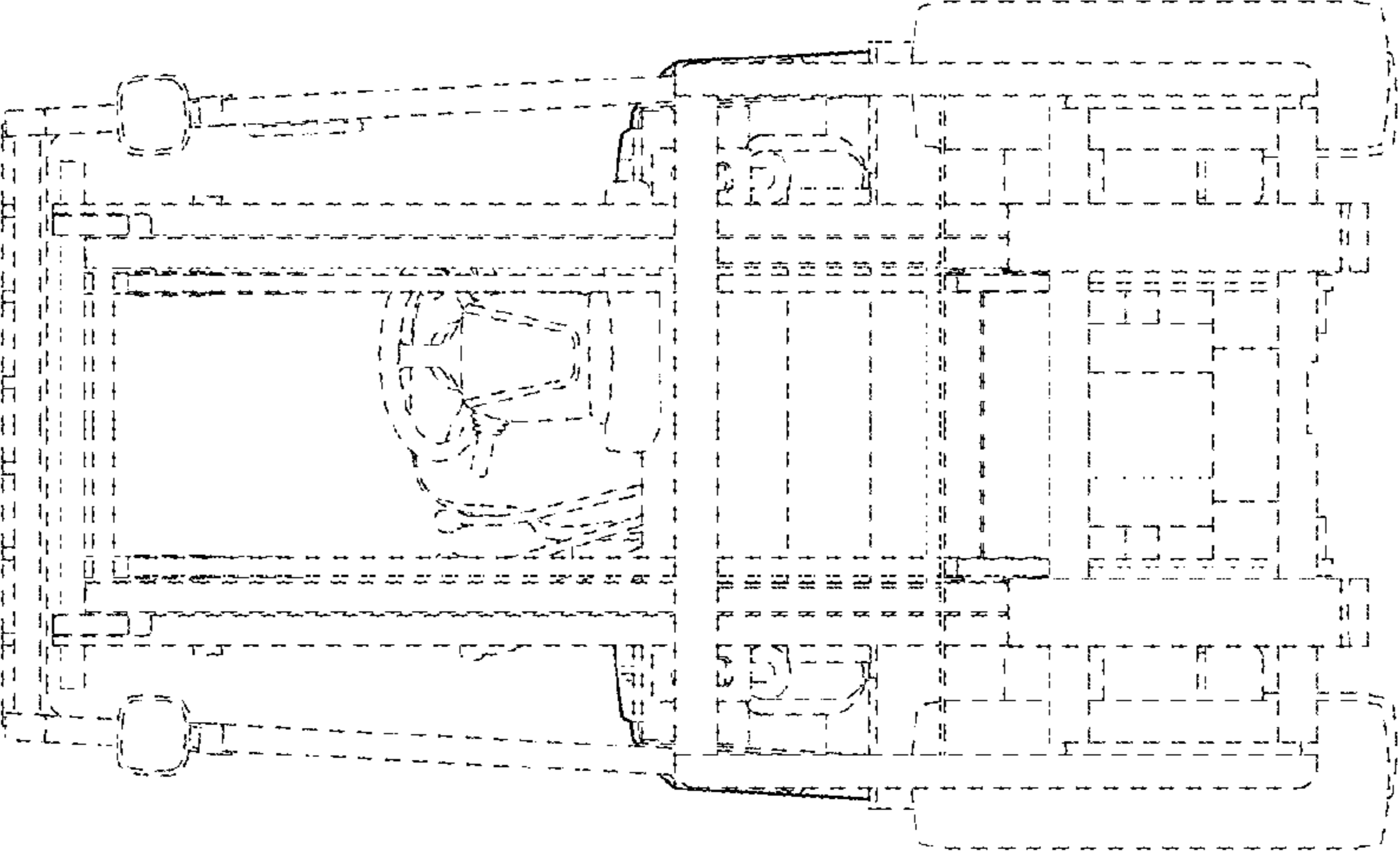


FIG. 7

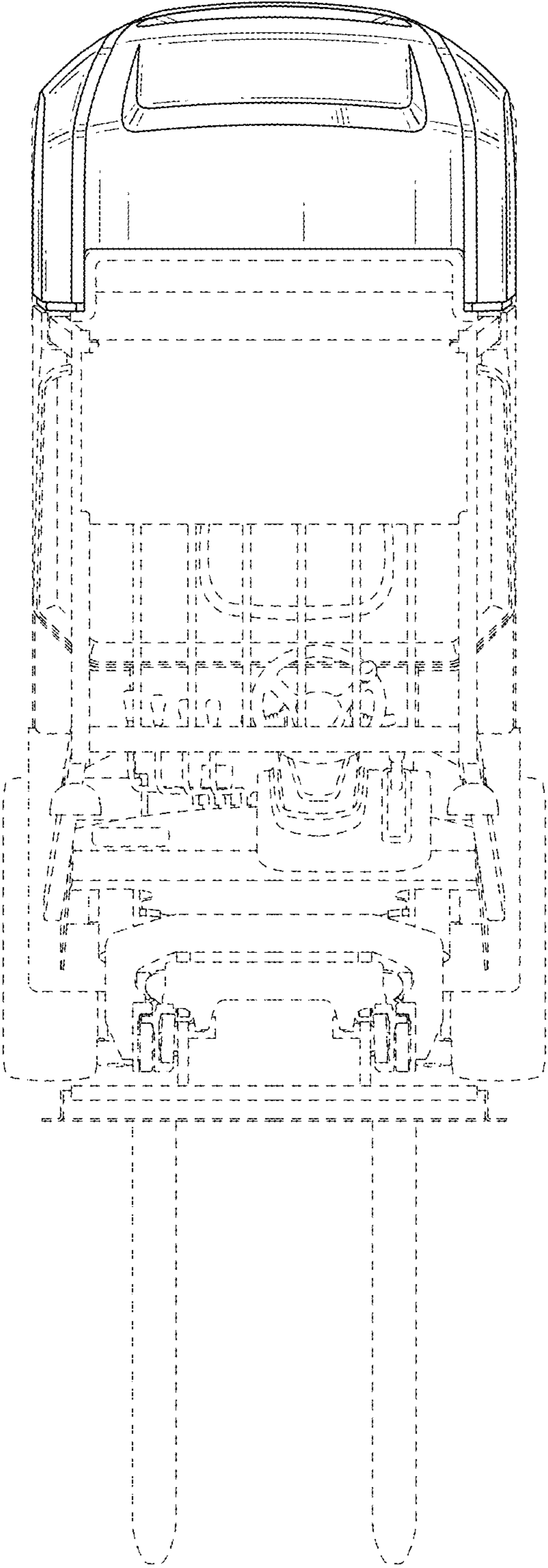


FIG. 8

