



US00D696830S

(12) **United States Design Patent**  
**Kazaoka et al.**

(10) **Patent No.:** **US D696,830 S**  
(45) **Date of Patent:** **\*\* Dec. 31, 2013**

(54) **FORKLIFT**  
(71) Applicant: **Mitsubishi Heavy Industries, Ltd.**,  
Tokyo (JP)  
(72) Inventors: **Naoki Kazaoka**, Tokyo (JP); **Hiroyasu Aruga**, Tokyo (JP); **Akihiro Ishigami**,  
Tokyo (JP)  
(73) Assignee: **Mitsubishi Nichiyu Forklift Co., Ltd.**,  
Kyoto (JP)

D471,339 S \* 3/2003 Mori ..... D34/34  
D471,340 S \* 3/2003 Shibata et al. .... D34/34  
D492,831 S \* 7/2004 Kouyama ..... D34/34  
D557,474 S \* 12/2007 Kouyama et al. .... D34/34  
D557,872 S \* 12/2007 Mori et al. .... D34/35  
D576,775 S \* 9/2008 Buchmann et al. .... D34/35  
D579,623 S \* 10/2008 Kim ..... D34/34  
D594,173 S \* 6/2009 Shibata et al. .... D34/34  
D657,932 S \* 4/2012 Kazaoka et al. .... D34/34  
D663,502 S \* 7/2012 Lin ..... D34/34

(\*\*) Term: **14 Years**

(21) Appl. No.: **29/441,539**

(22) Filed: **Jan. 7, 2013**

(30) **Foreign Application Priority Data**

Jul. 12, 2012 (JP) ..... 2012-016674

(51) **LOC (9) Cl.** ..... **12-05**

(52) **U.S. Cl.**  
USPC ..... **D34/34**

(58) **Field of Classification Search**  
USPC ..... D34/34, 35; 414/465, 529, 785, 607,  
414/572; 187/222, 237, 238, 89.12, 89.14,  
187/89.17

See application file for complete search history.

(56) **References Cited**

**U.S. PATENT DOCUMENTS**

D393,516 S \* 4/1998 Hahn et al. .... D34/34  
D448,136 S \* 9/2001 Yurushi et al. .... D34/34

**FOREIGN PATENT DOCUMENTS**

JP D1318129 12/2007

**OTHER PUBLICATIONS**

Toyota, "Z-series", May 2011.

\* cited by examiner

*Primary Examiner* — Cynthia Ramirez

(74) *Attorney, Agent, or Firm* — Birch, Stewart, Kolasch & Birch, LLP

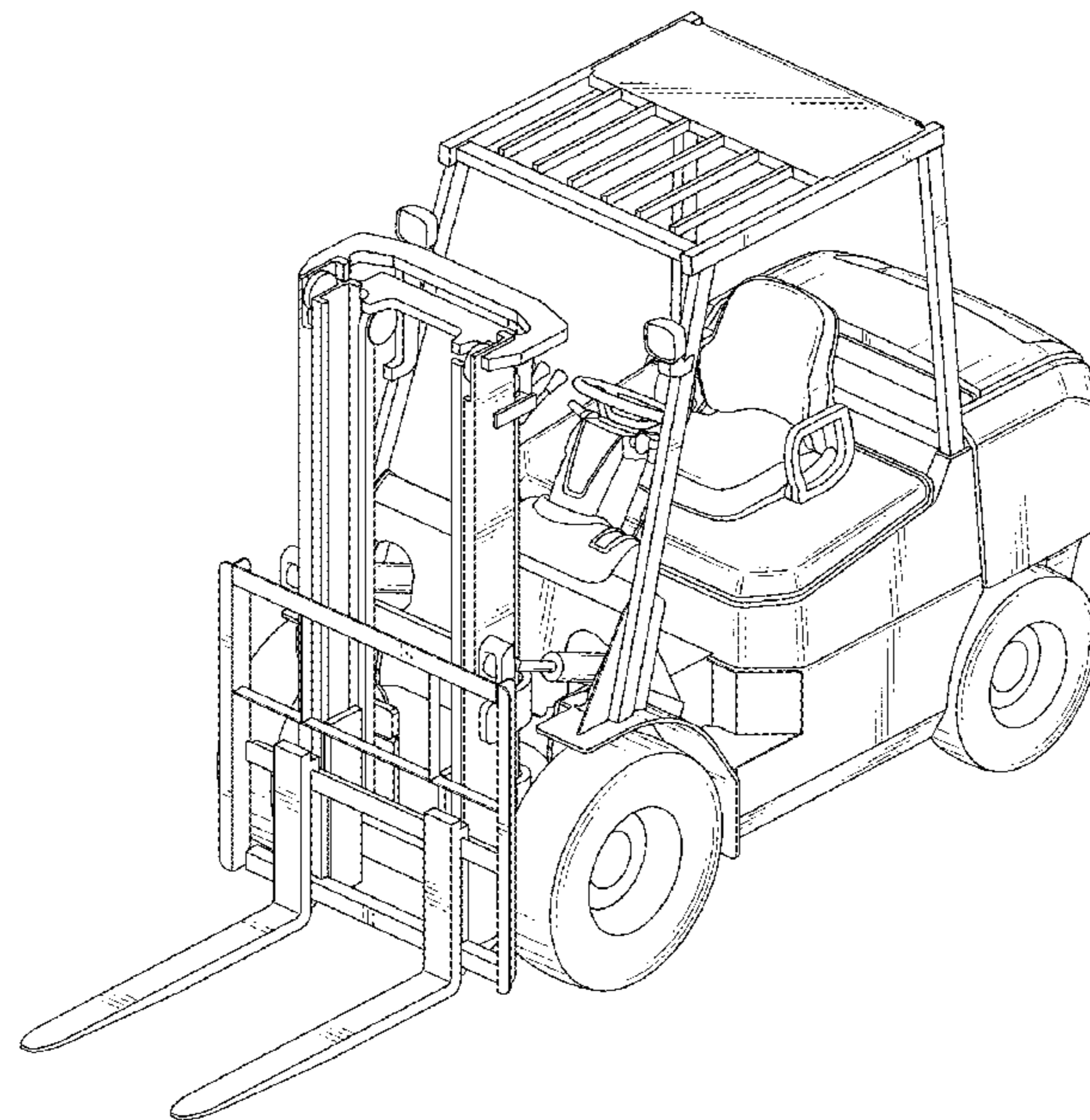
(57) **CLAIM**

The ornamental design for a forklift, as shown and described.

**DESCRIPTION**

FIG. 1 is a perspective view from the left side of a forklift.  
FIG. 2 is a perspective view from the right side thereof.  
FIG. 3 is a front elevation view thereof.  
FIG. 4 is a rear elevation view thereof.  
FIG. 5 is a right side elevation view thereof.  
FIG. 6 is a left side elevation view thereof.  
FIG. 7 is a top plan view thereof; and,  
FIG. 8 is a bottom plan view thereof.

**1 Claim, 8 Drawing Sheets**



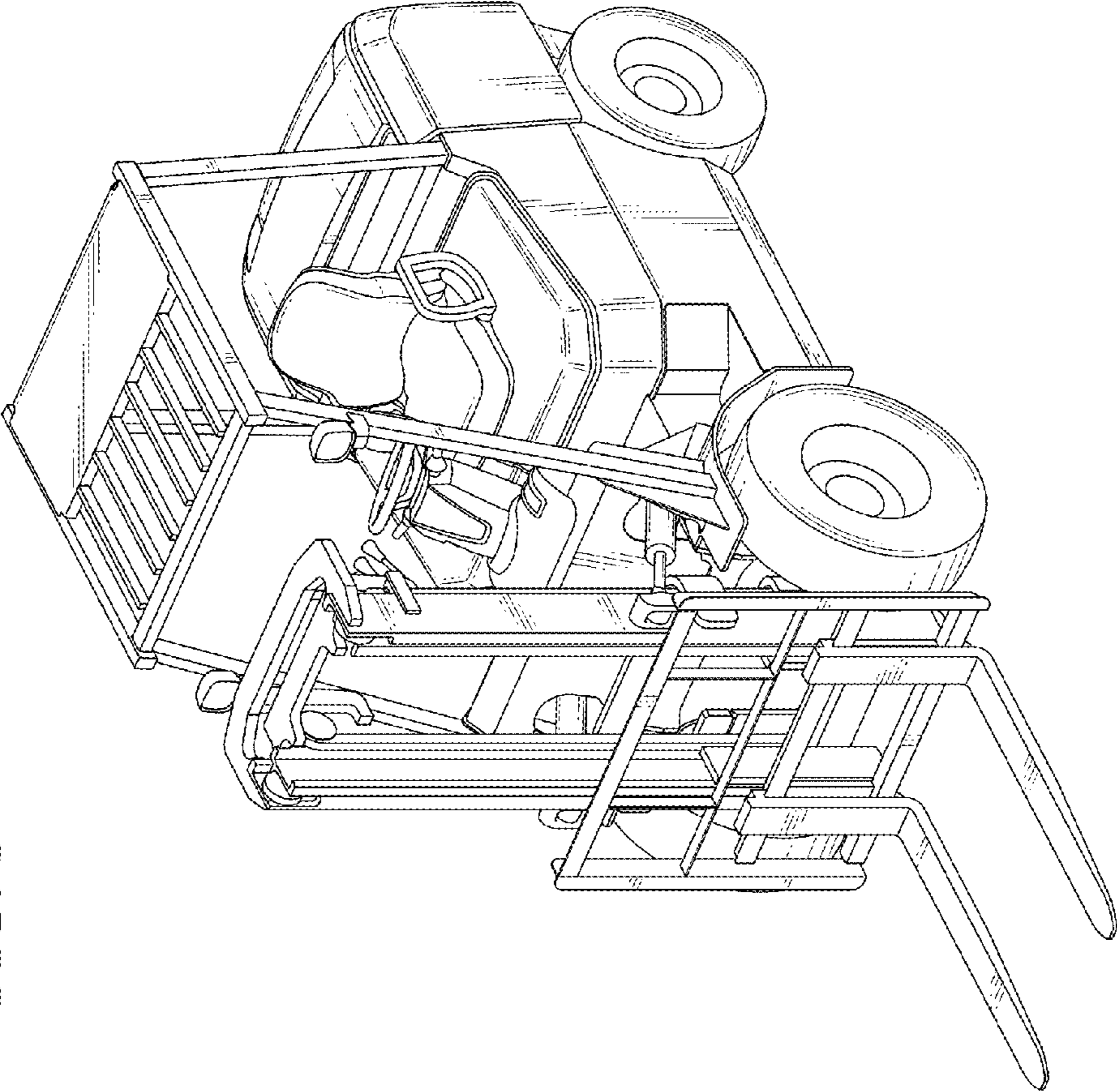


FIG. 1

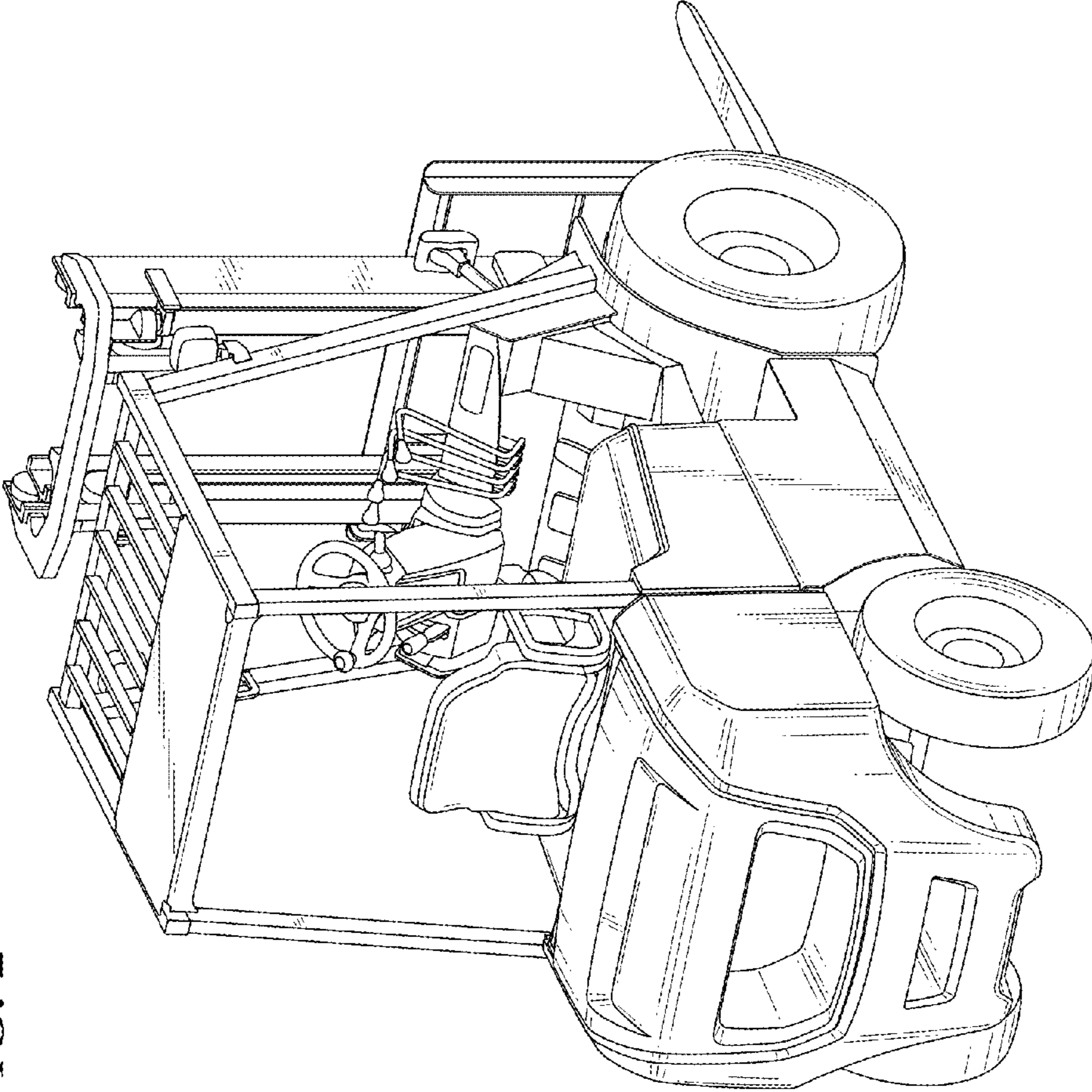


FIG. 2

FIG. 3

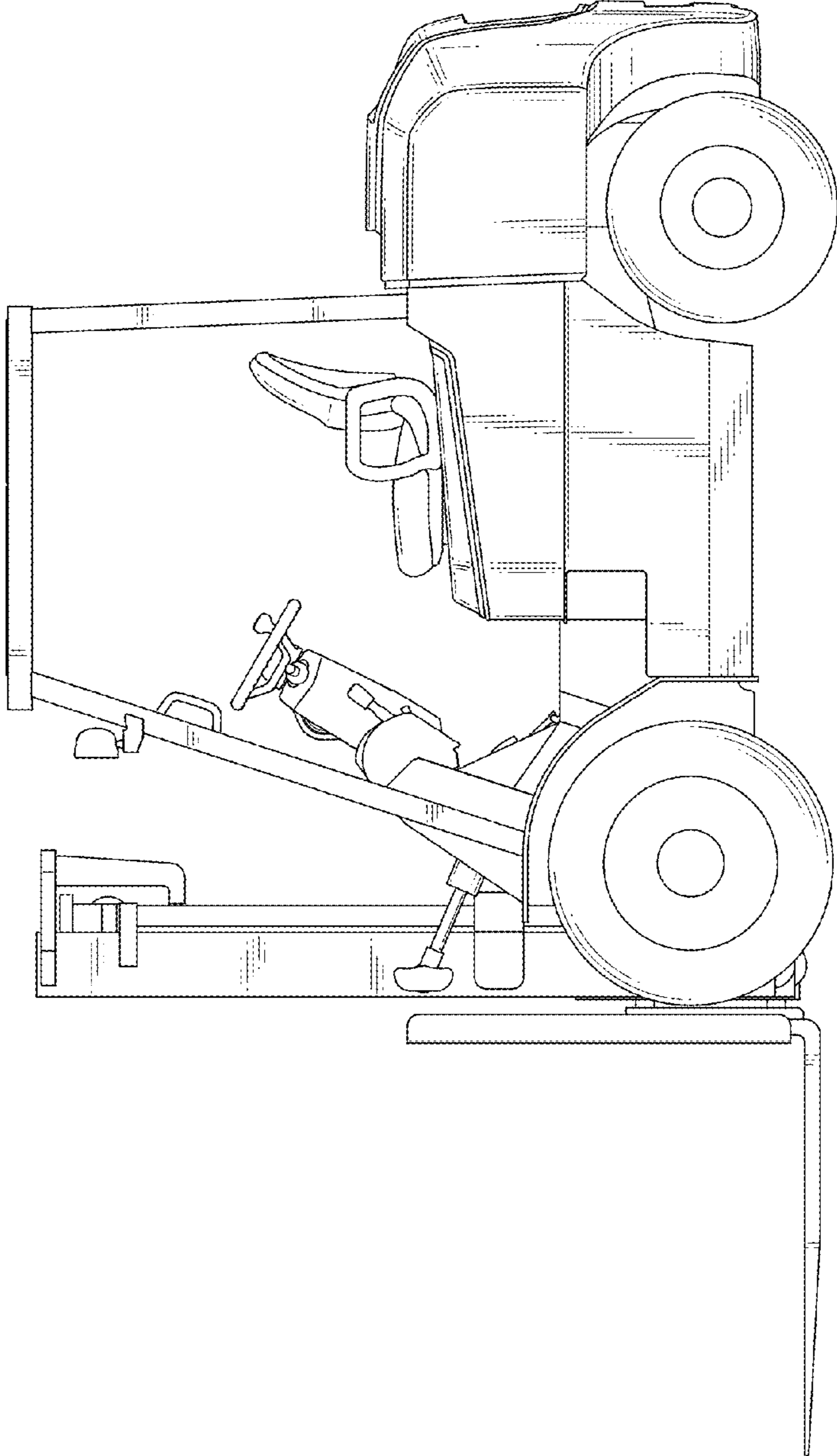


FIG. 4

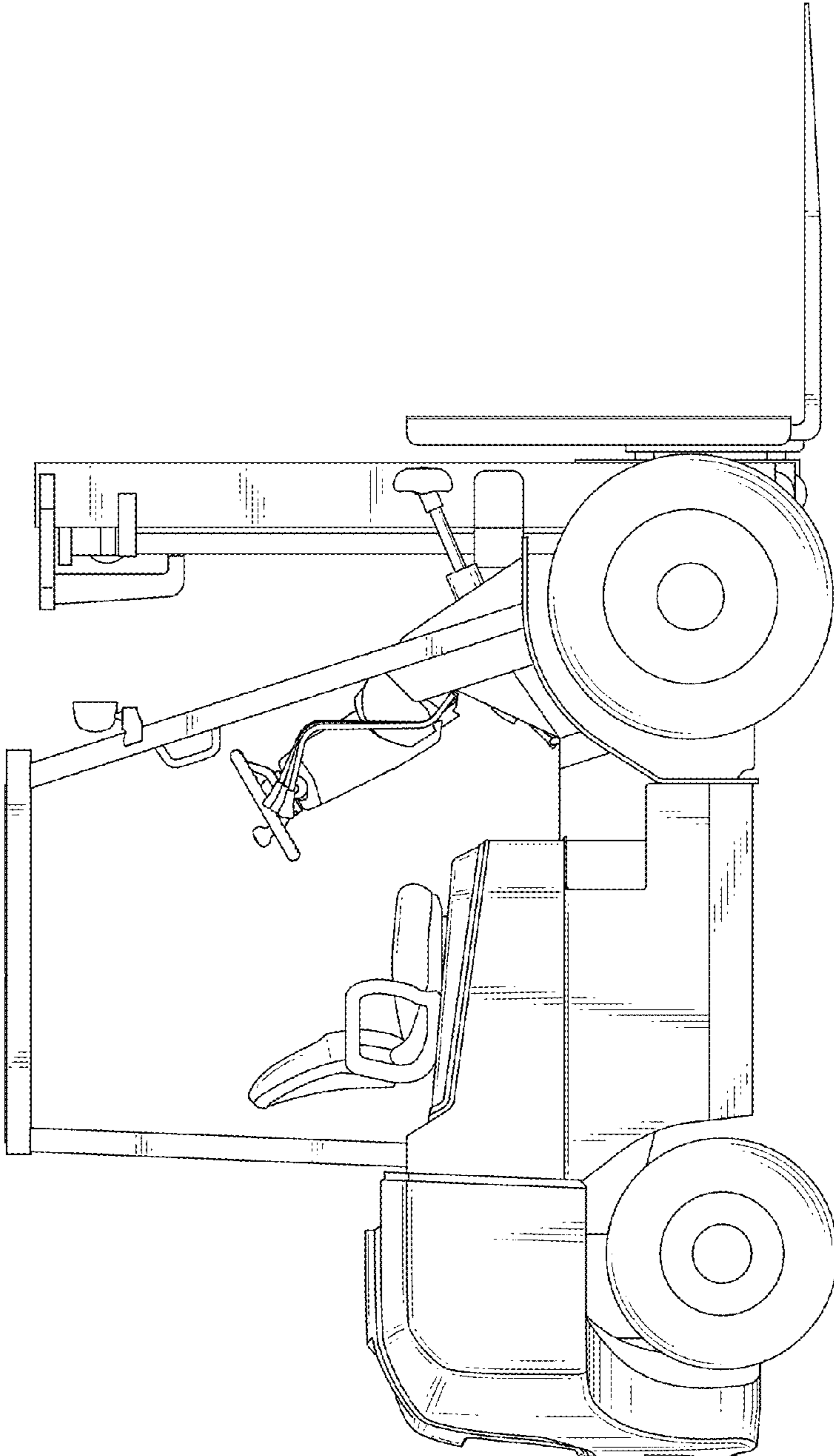


FIG. 5

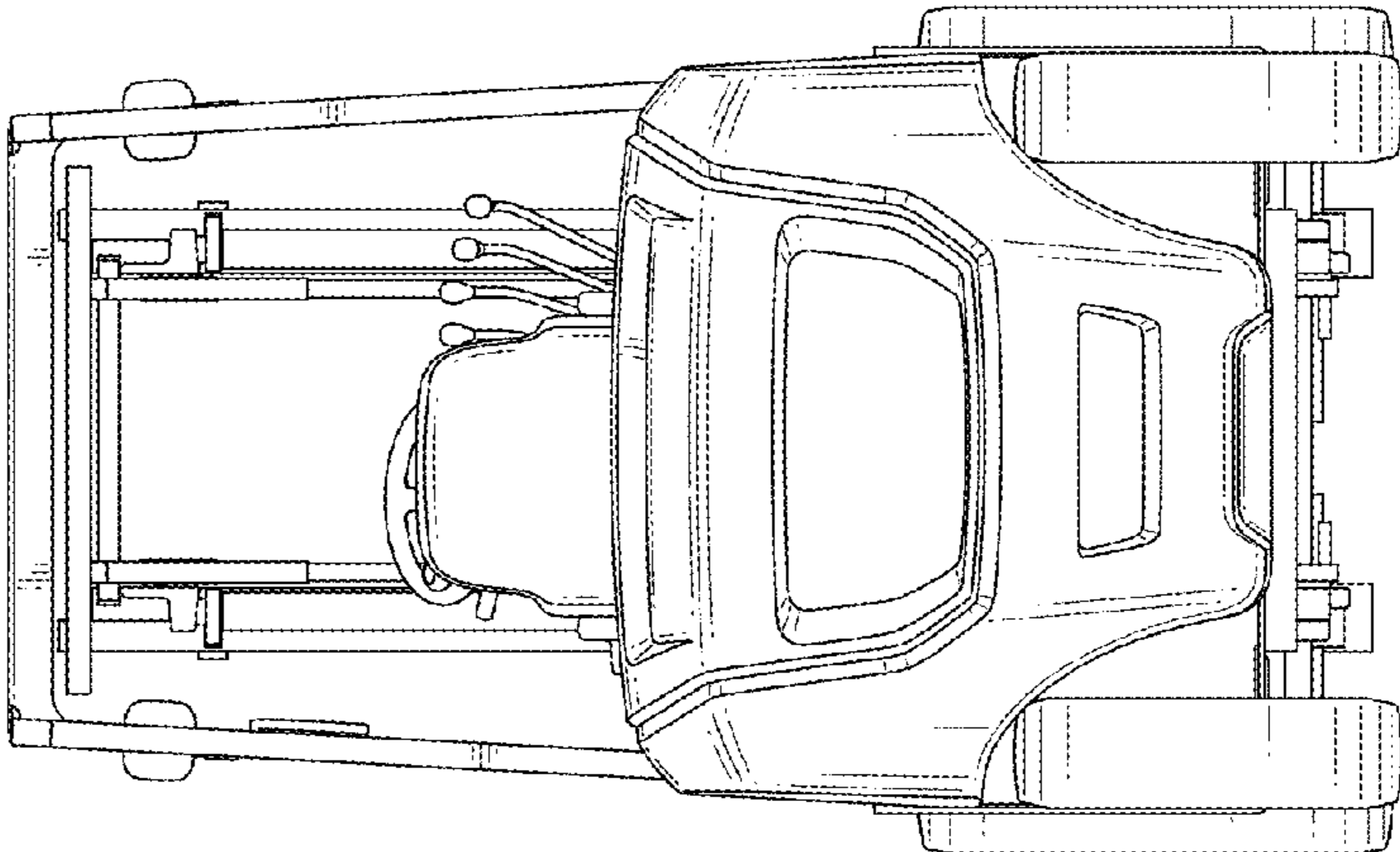


FIG. 6

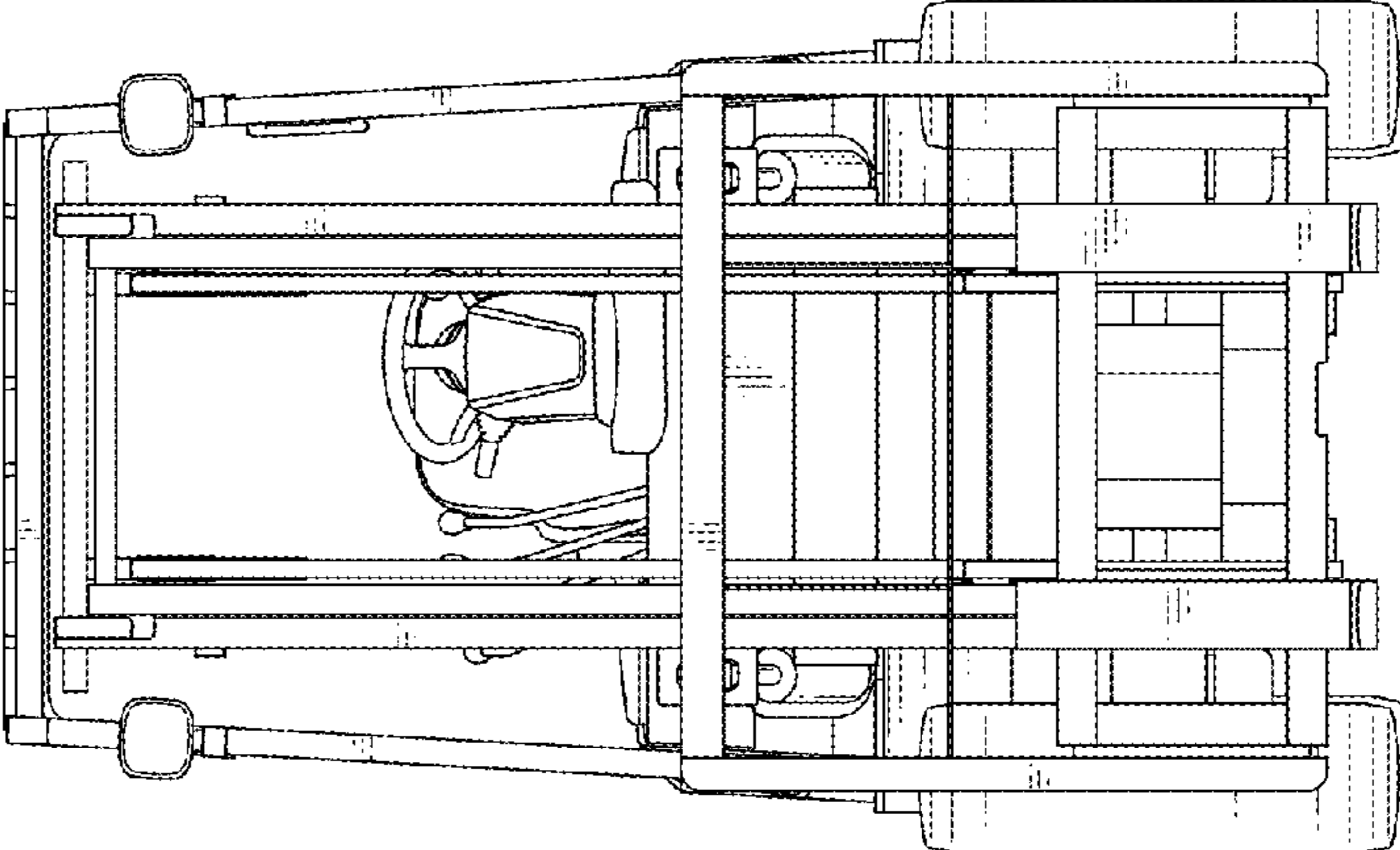


FIG. 7

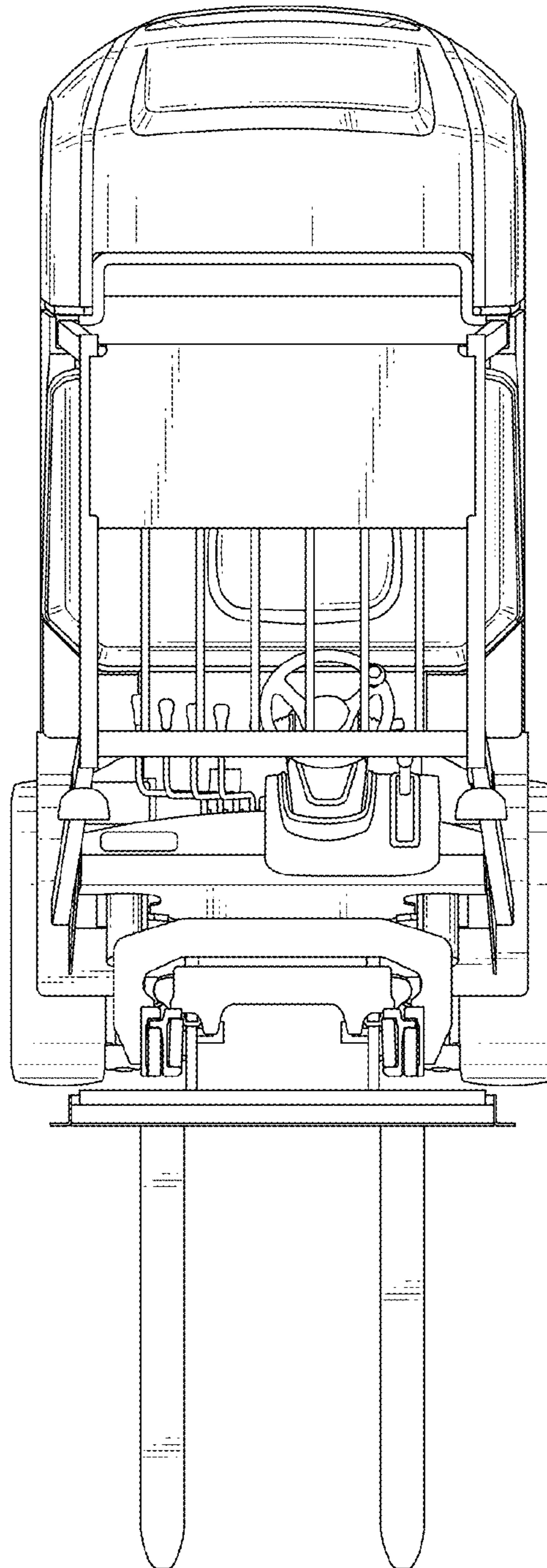




FIG. 8

