



US00D696829S

(12) **United States Design Patent**
Huang

(10) **Patent No.:** **US D696,829 S**

(45) **Date of Patent:** **** Dec. 31, 2013**

(54) **DISH RACK**

(71) Applicant: **Jianping Huang**, Jiangmen (CN)

(72) Inventor: **Jianping Huang**, Jiangmen (CN)

(**) Term: **14 Years**

(21) Appl. No.: **29/464,587**

(22) Filed: **Aug. 19, 2013**

(51) **LOC (9) Cl.** **07-05**

(52) **U.S. Cl.**
USPC **D32/55**

(58) **Field of Classification Search**
USPC D32/55, 276, 3; D6/510, 525; D30/133;
211/41.5, 41.4, 41.3, 41.8; 361/679.4;
312/311, 333, 334.4; D7/354, 629
See application file for complete search history.

(56) **References Cited**

U.S. PATENT DOCUMENTS

83,413	A	*	10/1868	Sawyer	211/41.3
1,889,146	A	*	11/1932	Kalenoff	220/23.8
D214,077	S	*	5/1969	Kriegel	D32/55
D271,339	S	*	11/1983	Lee	D32/55

D432,750	S	*	10/2000	Rashid	D32/55
D446,369	S	*	8/2001	Smith et al.	D32/55
D492,457	S	*	6/2004	Soroka	D32/55
D583,119	S	*	12/2008	Sofy et al.	D32/55
D640,433	S	*	6/2011	Pargansky	D32/55
D663,912	S	*	7/2012	Le	D32/55
D689,350	S	*	9/2013	Sudmalis	D7/698

* cited by examiner

Primary Examiner — Austin Murphy

(74) *Attorney, Agent, or Firm* — King & Schickli, PLLC

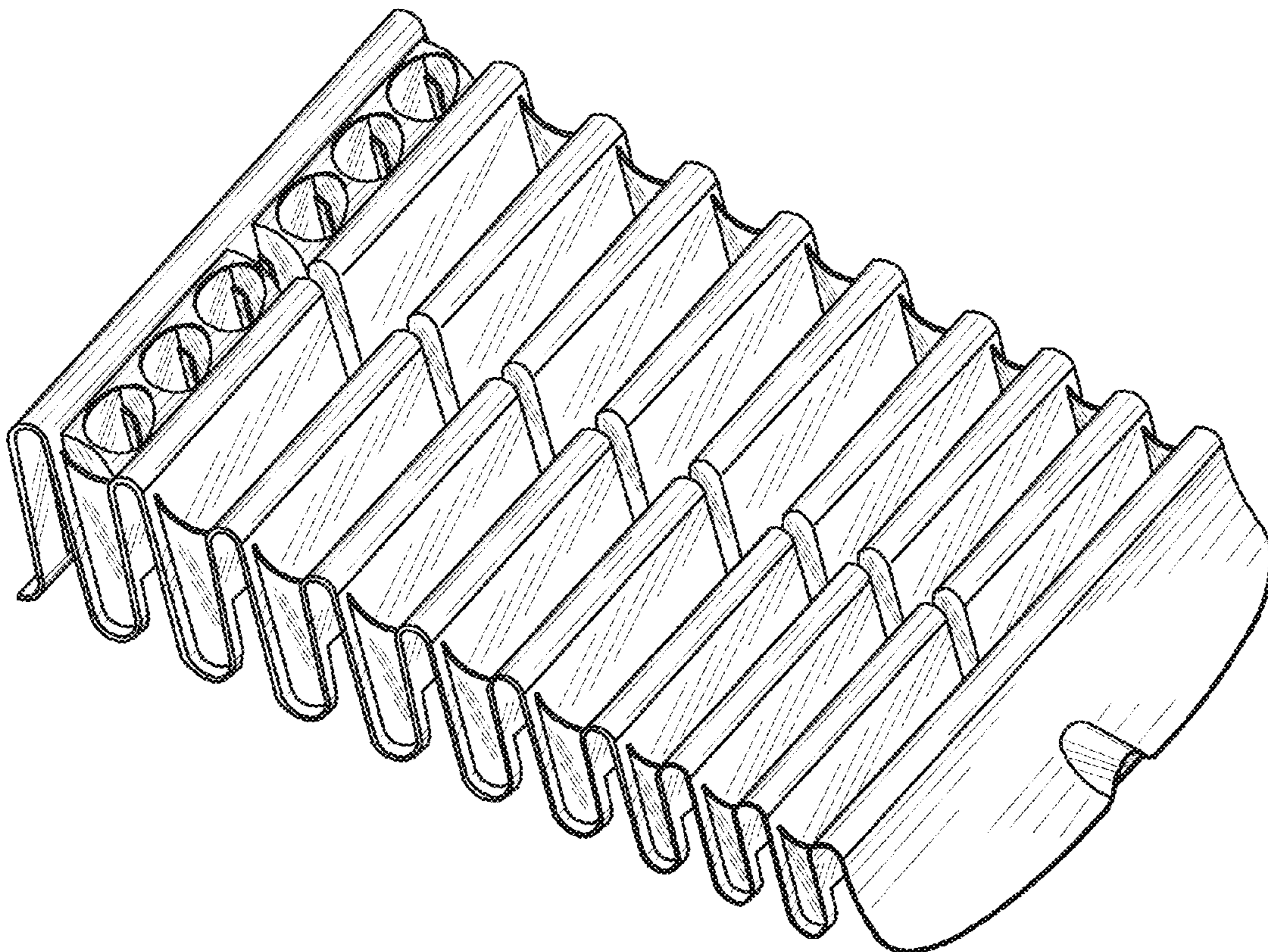
(57) **CLAIM**

The ornamental design for a dish rack, as shown and described.

DESCRIPTION

FIG. 1 is a perspective view generally taken from one side of the dish rack showing the design;
FIG. 2 is a front view thereof;
FIG. 3 is a rear view thereof;
FIG. 4 is a left view thereof;
FIG. 5 is a right view thereof;
FIG. 6 is a top view thereof; and,
FIG. 7 is a bottom view thereof.

1 Claim, 7 Drawing Sheets



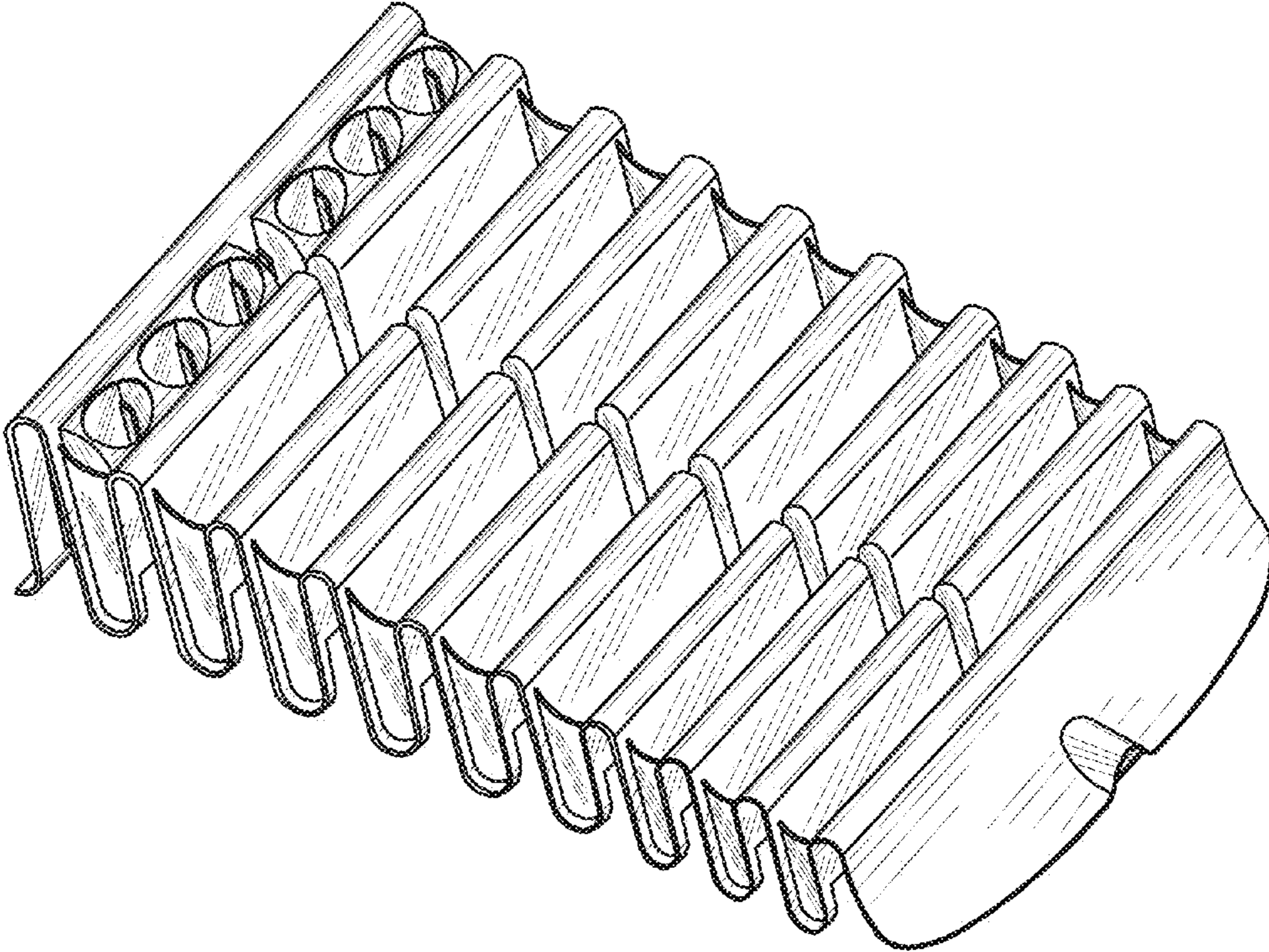


Fig. 1

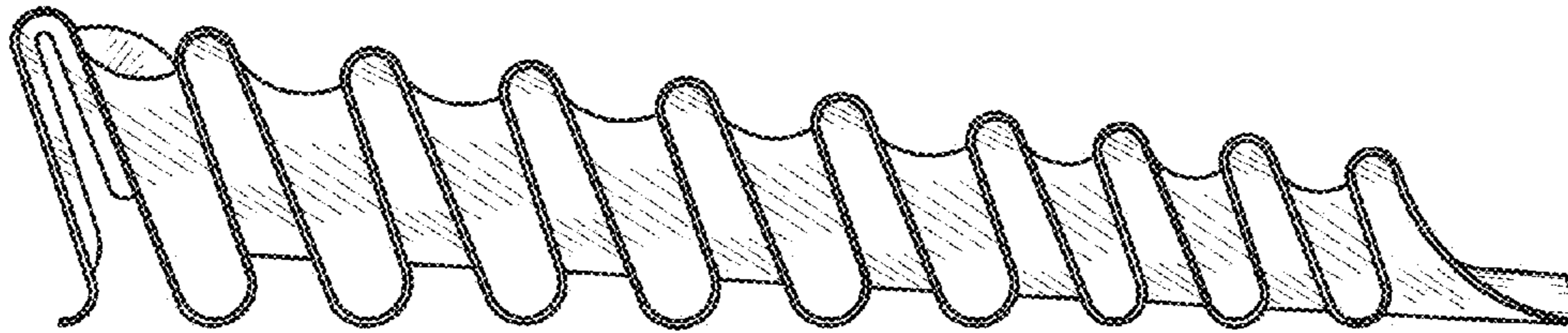


Fig.2

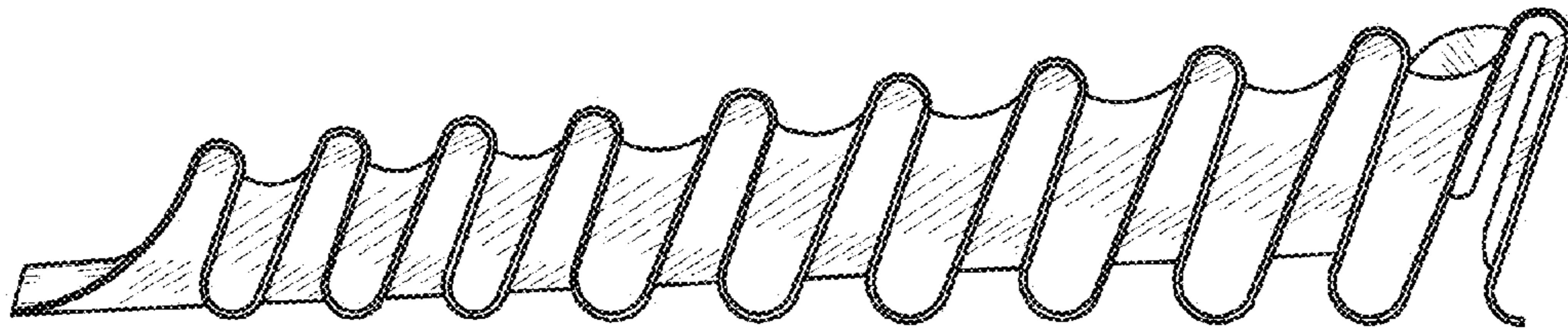


Fig.3

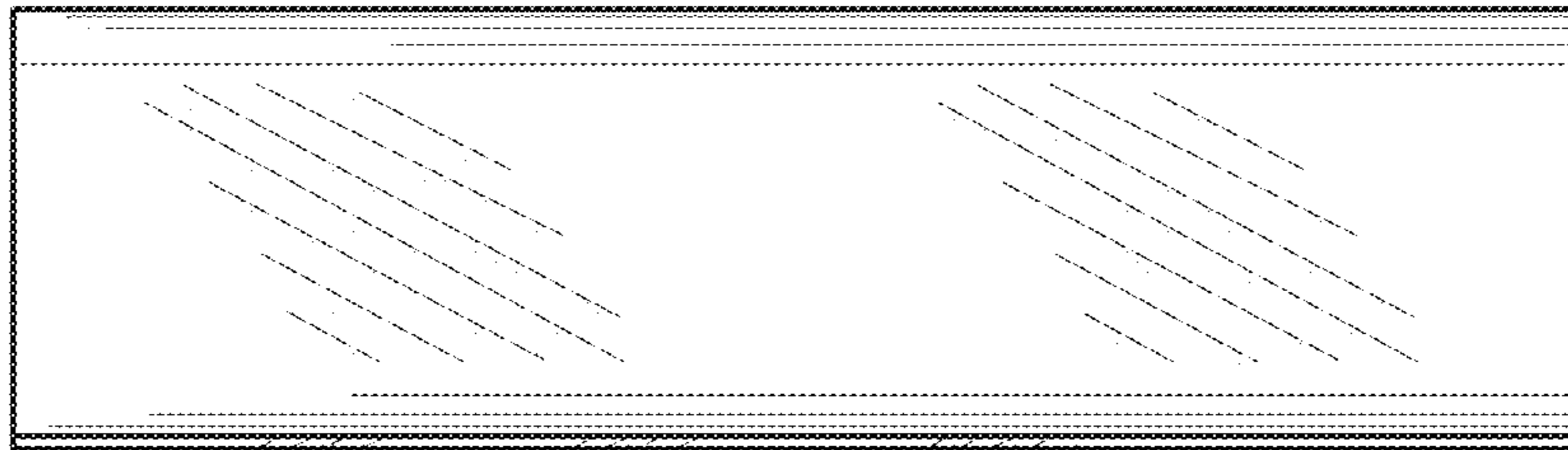


Fig.4

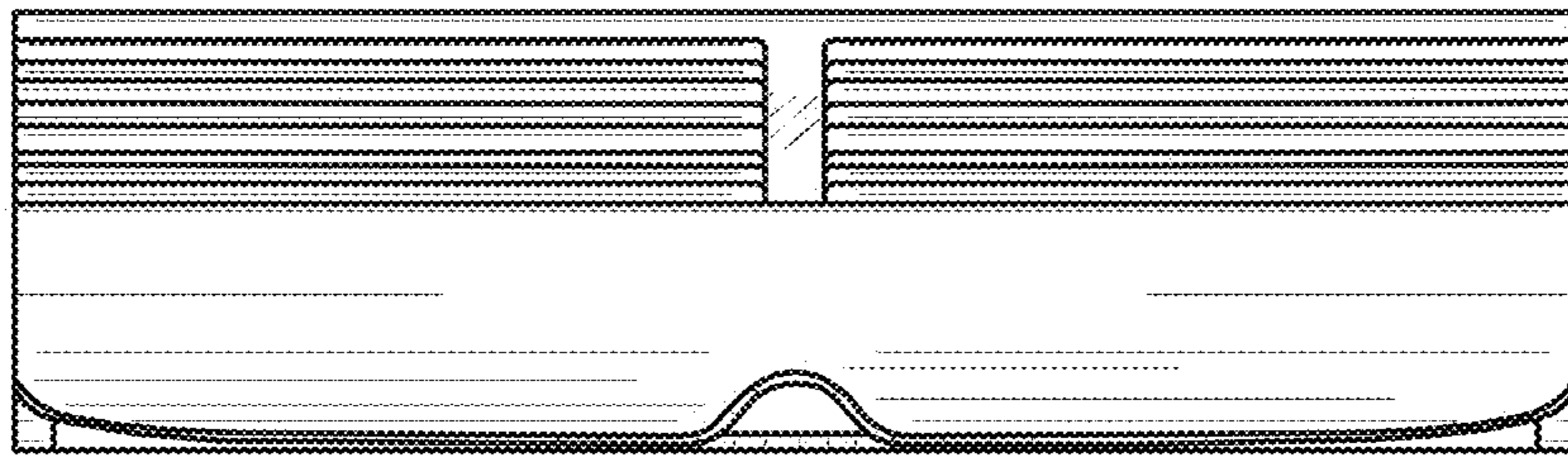


Fig.5

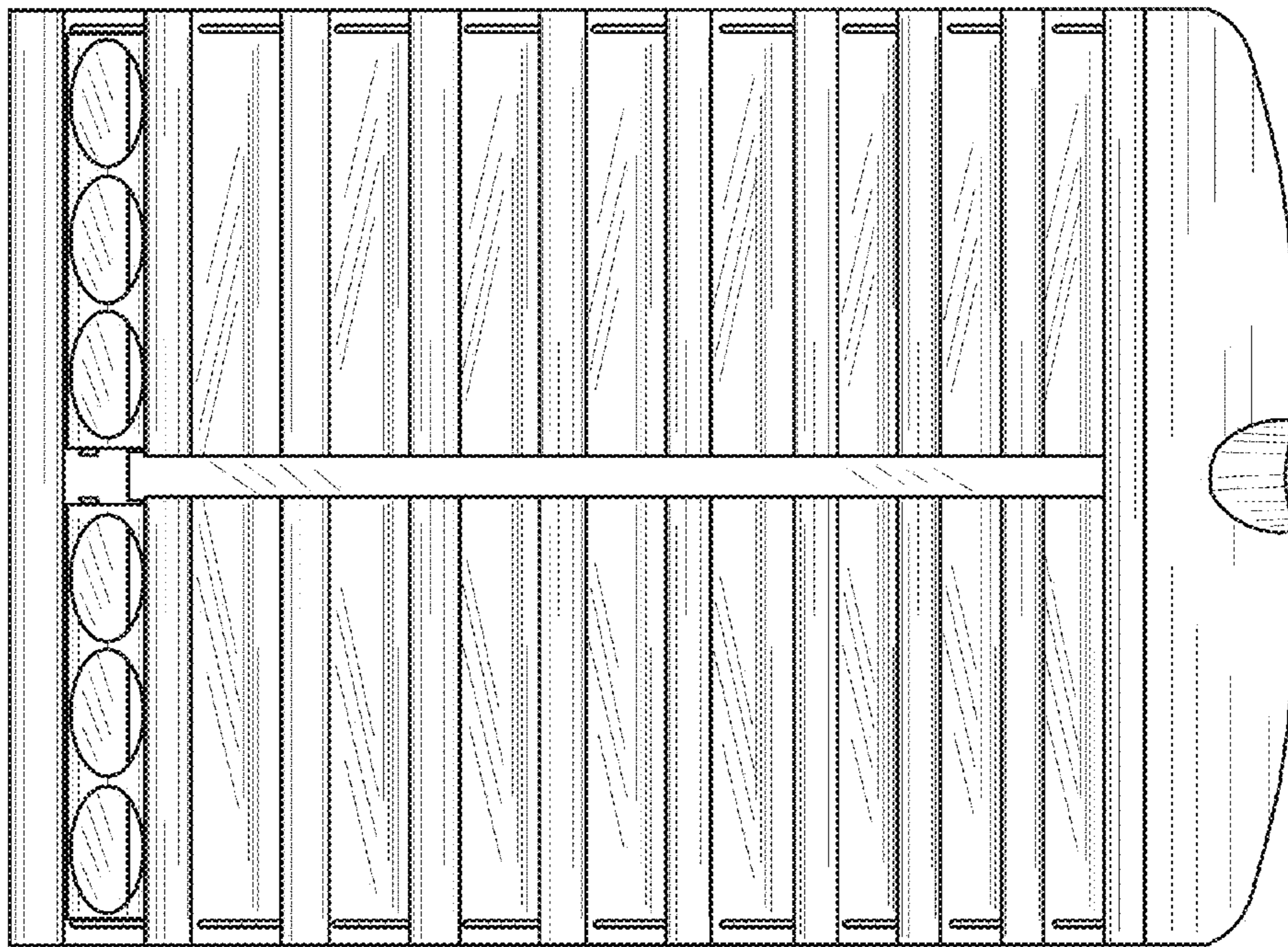


Fig.6

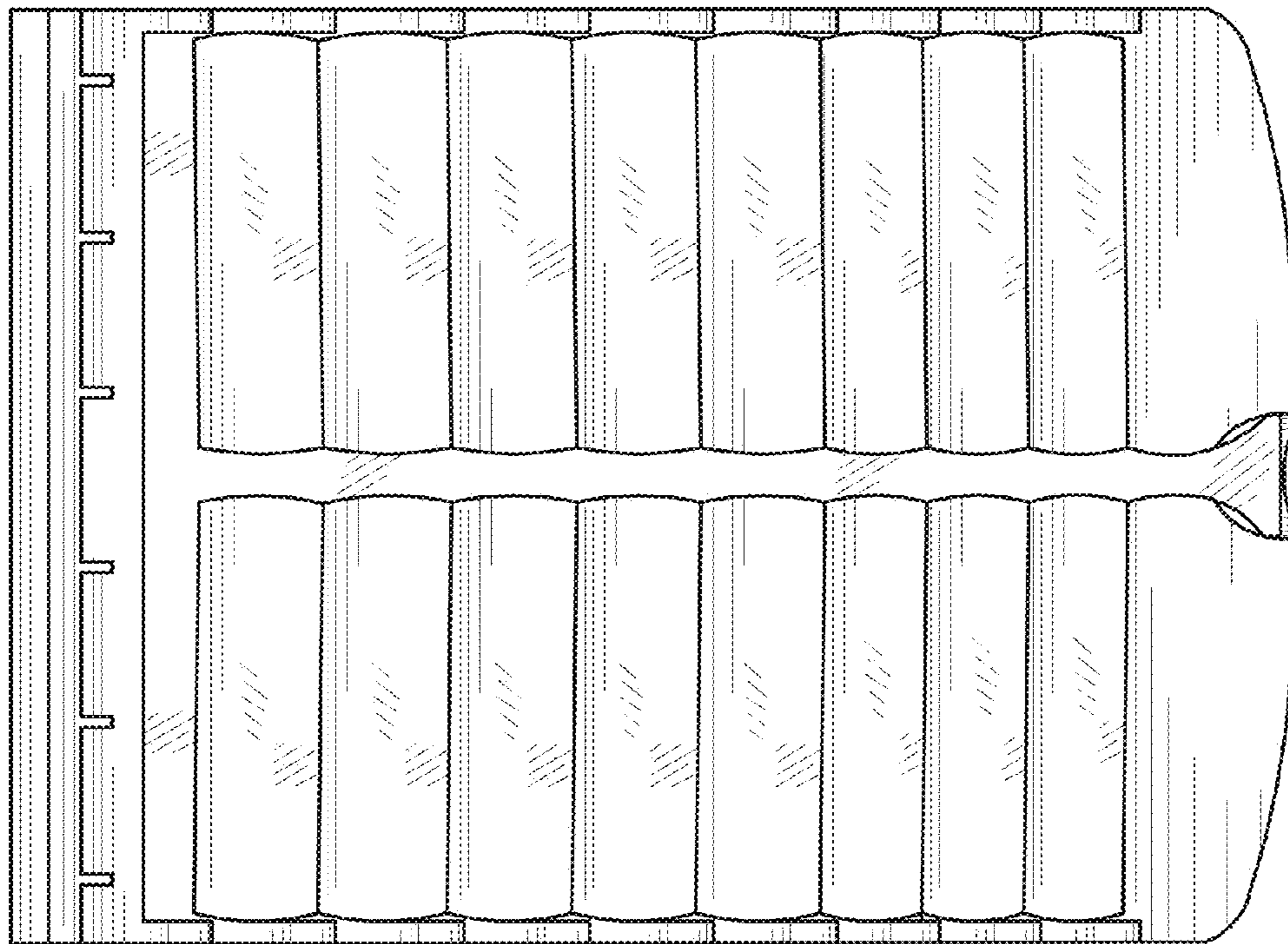


Fig. 7