



US00D696827S

(12) **United States Design Patent**  
**Crawley**

(10) **Patent No.:** **US D696,827 S**

(45) **Date of Patent:** **\*\* Dec. 31, 2013**

(54) **STEAM CLEANING SQUEEGEE**

(71) Applicant: **Black & Decker Inc.**, Newark, DE (US)

(72) Inventor: **Graeme Crawley**, Newcastle-upon-Tyne (GB)

(73) Assignee: **Black & Decker Inc.**, Newark, DE (US)

(\*\*) Term: **14 Years**

(21) Appl. No.: **29/445,680**

(22) Filed: **Feb. 14, 2013**

(30) **Foreign Application Priority Data**

Aug. 24, 2012 (EM) ..... 001340947

(51) **LOC (9) Cl.** ..... **04-01**

(52) **U.S. Cl.**  
USPC ..... **D32/41; D32/17**

(58) **Field of Classification Search**  
USPC ..... D32/40-46, 50, 51, 17; 15/228, 245,  
15/245.1, 236.01, 121, 321, 401;  
401/137-140, 25, 118

See application file for complete search history.

(56) **References Cited**

U.S. PATENT DOCUMENTS

3,107,387 A *	10/1963	Katt .....	15/375
3,210,792 A *	10/1965	Sassano, Sr. ....	15/401
5,419,007 A *	5/1995	Hult et al. ....	15/401
D649,313 S *	11/2011	Ediger et al. ....	D32/41
D675,799 S *	2/2013	Beij .....	D32/40

\* cited by examiner

*Primary Examiner* — Robin V Webster

(74) *Attorney, Agent, or Firm* — John Yun

(57) **CLAIM**

The ornamental design for a steam cleaning squeegee, as shown and described.

**DESCRIPTION**

FIG. 1 is a perspective view of a steam cleaning squeegee showing my new design;

FIG. 2 is a front view thereof

FIG. 3 is a rear view thereof;

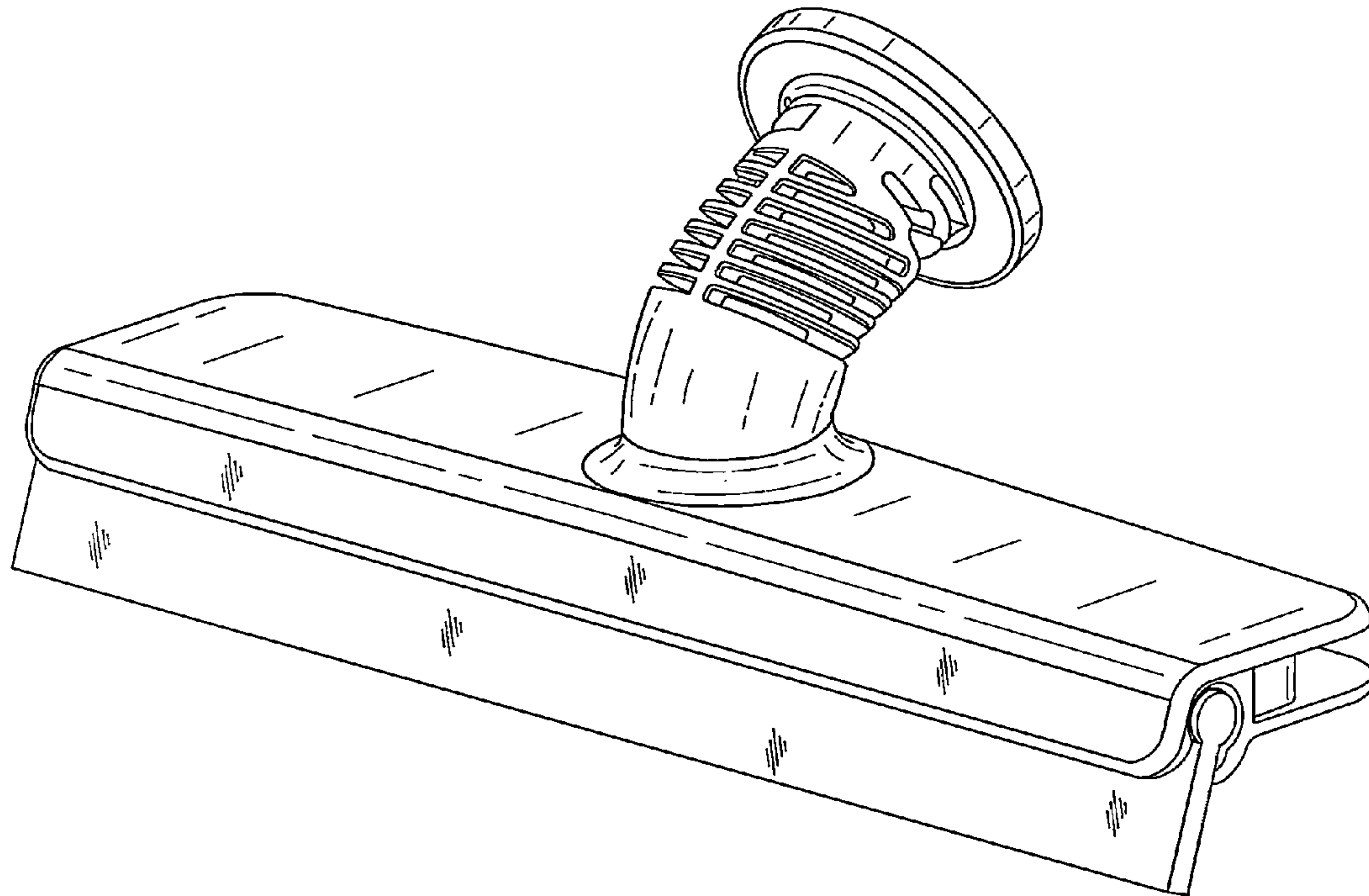
FIG. 4 is a left view thereof;

FIG. 5 is a right view thereof;

FIG. 6 is a top plan thereof; and,

FIG. 7 is a bottom plan view thereof.

**1 Claim, 6 Drawing Sheets**



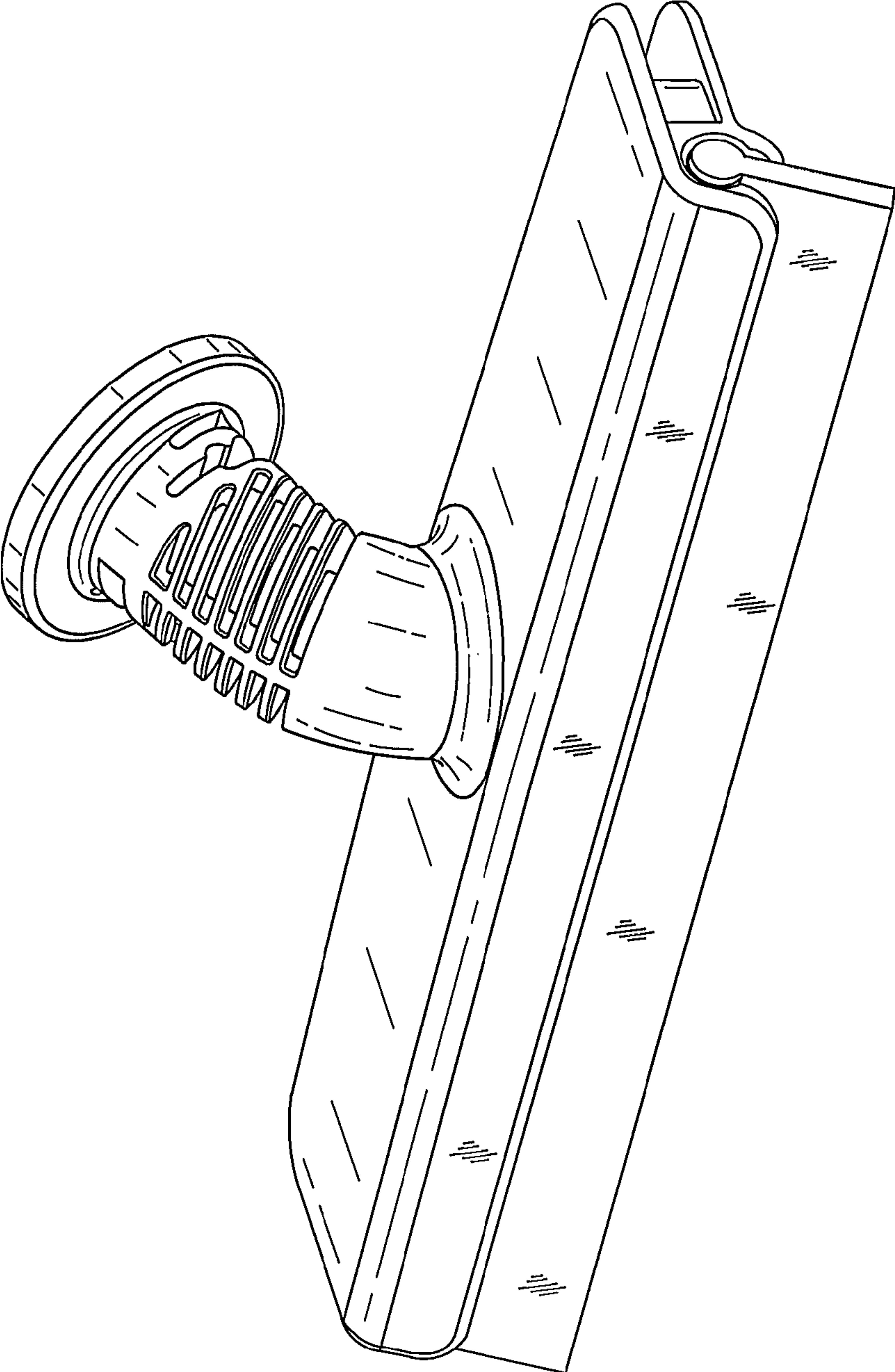


FIG.1

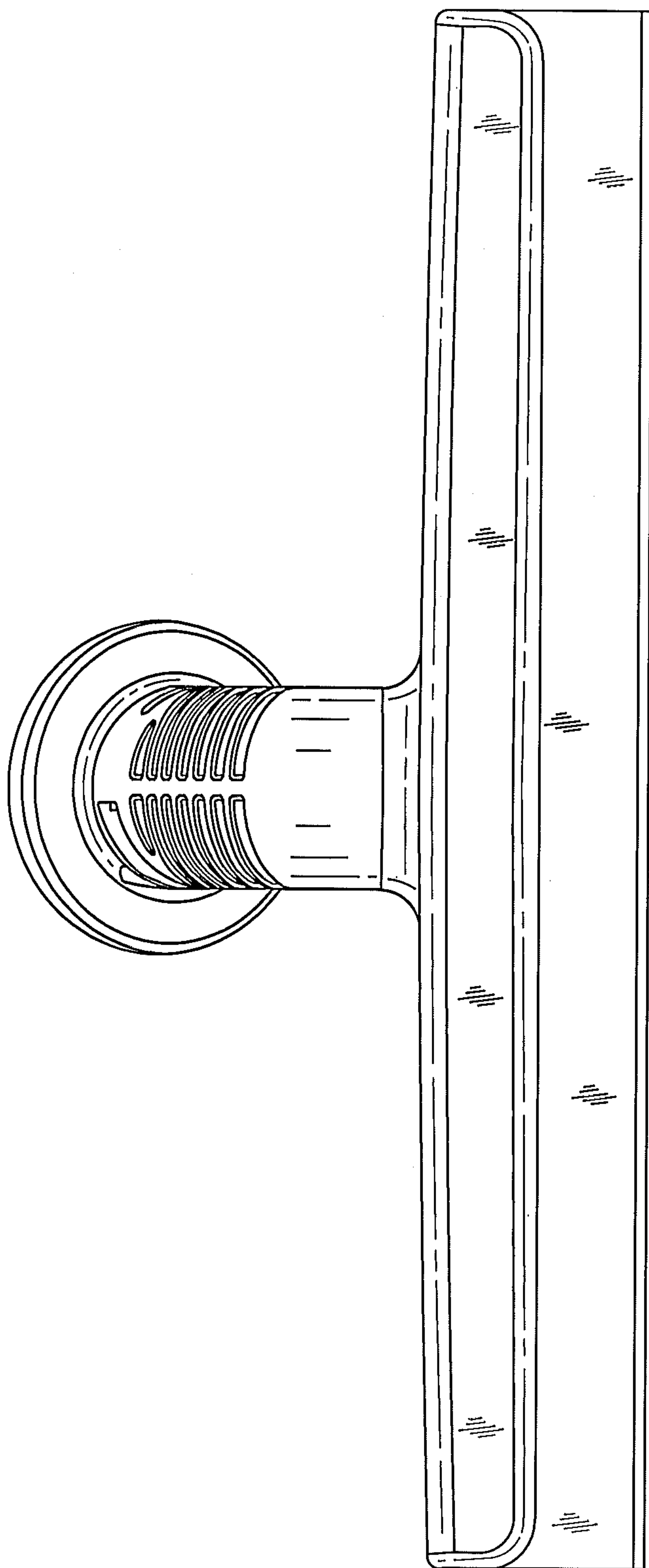


FIG.2

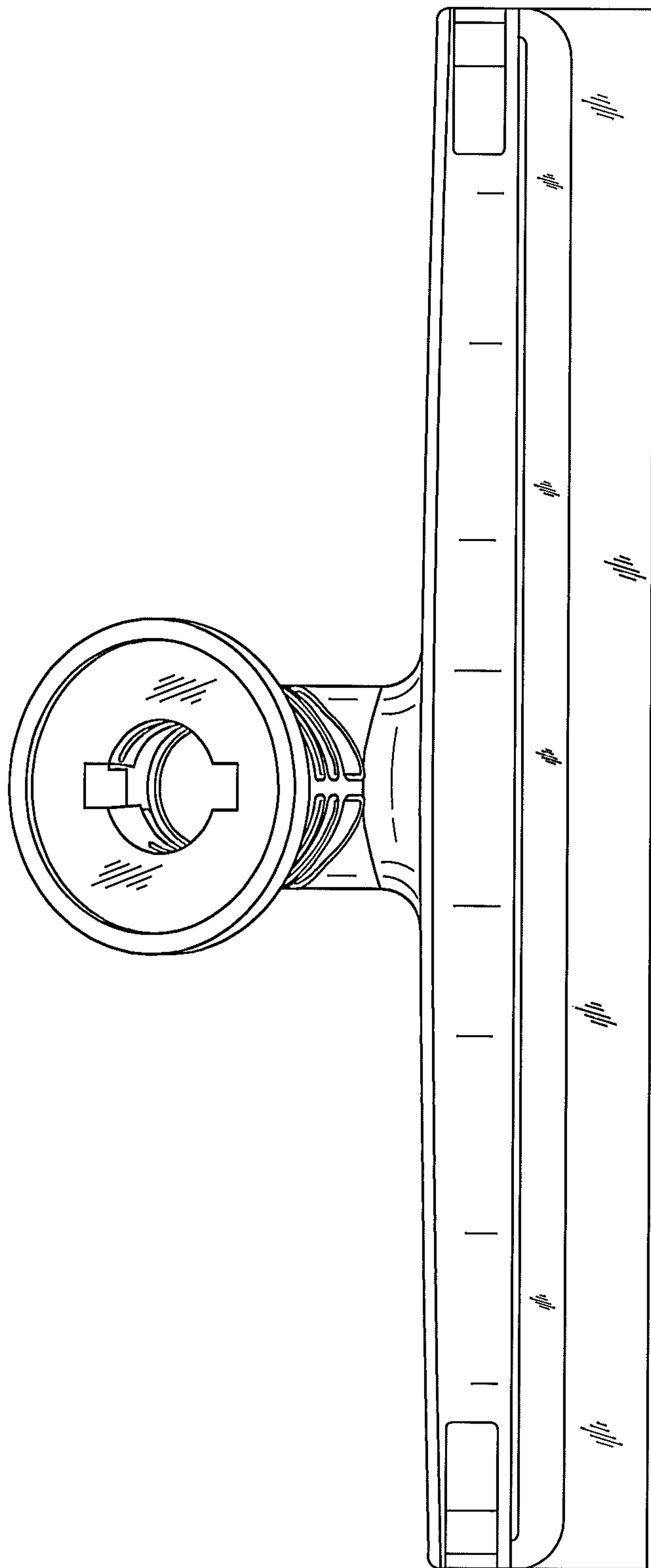


FIG.3

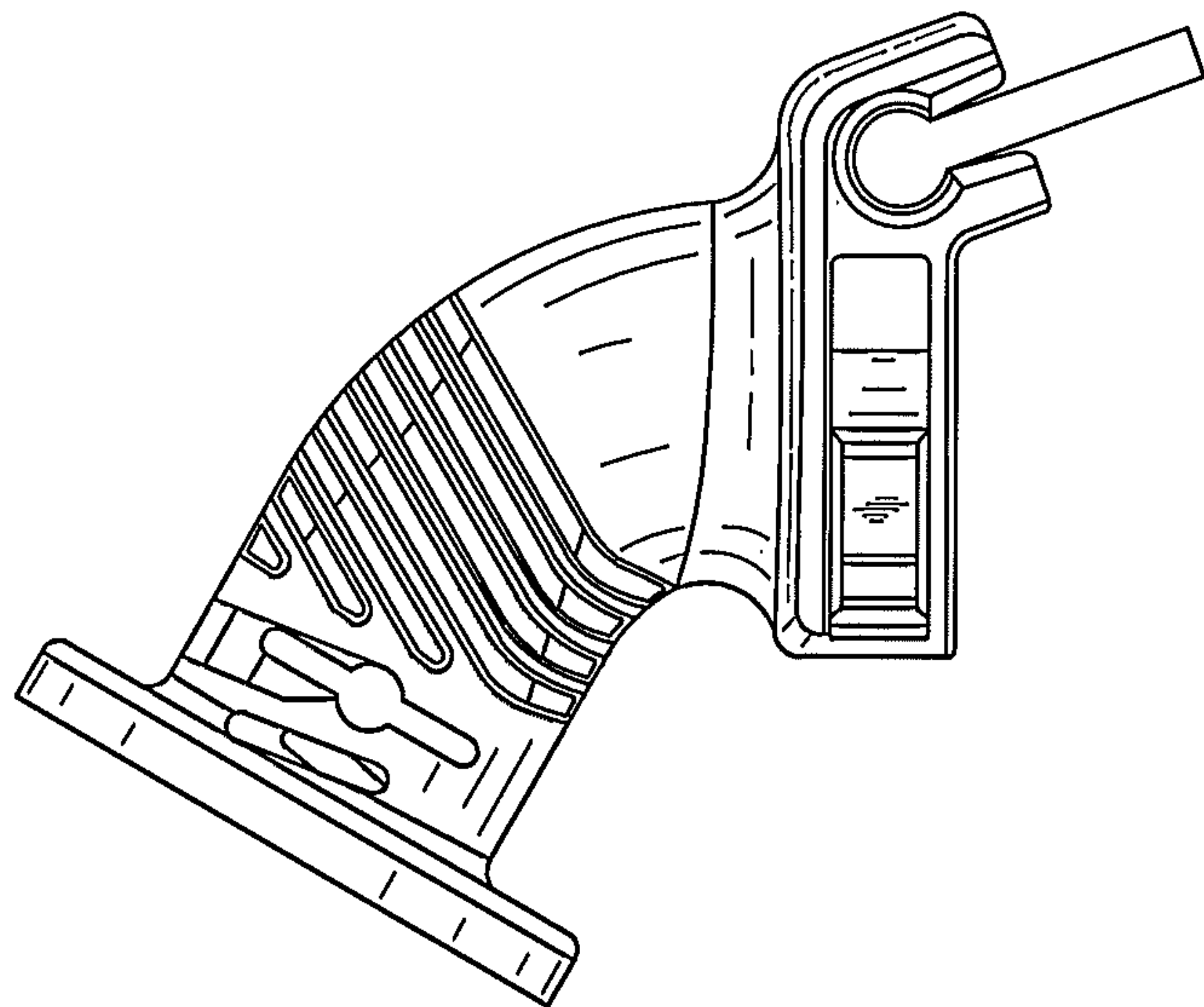


FIG.5

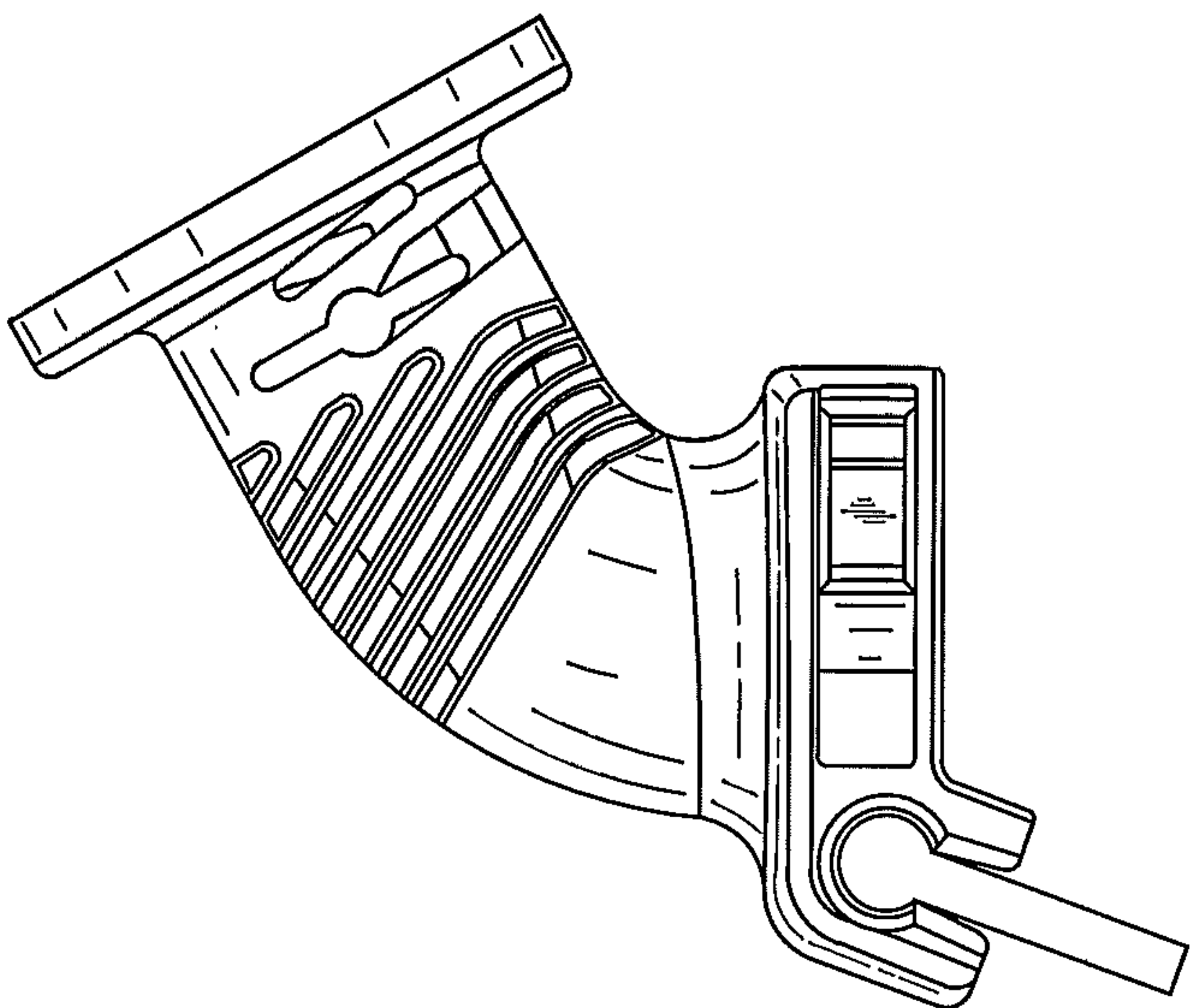


FIG.4

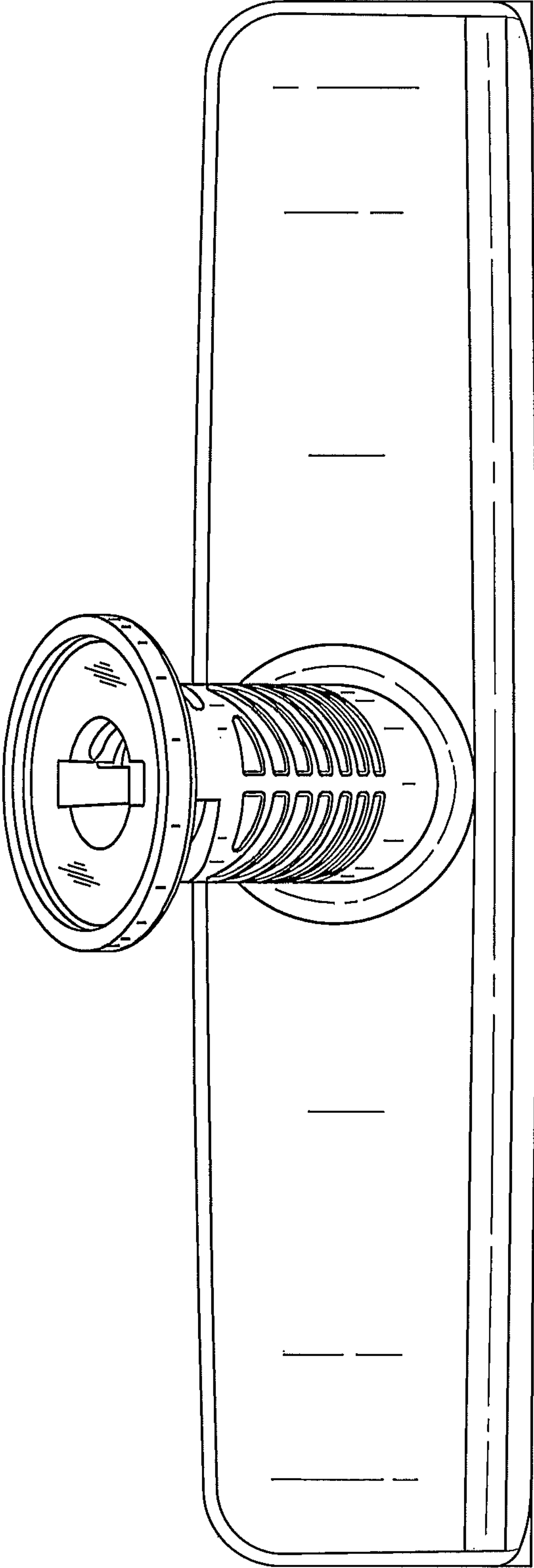


FIG.6



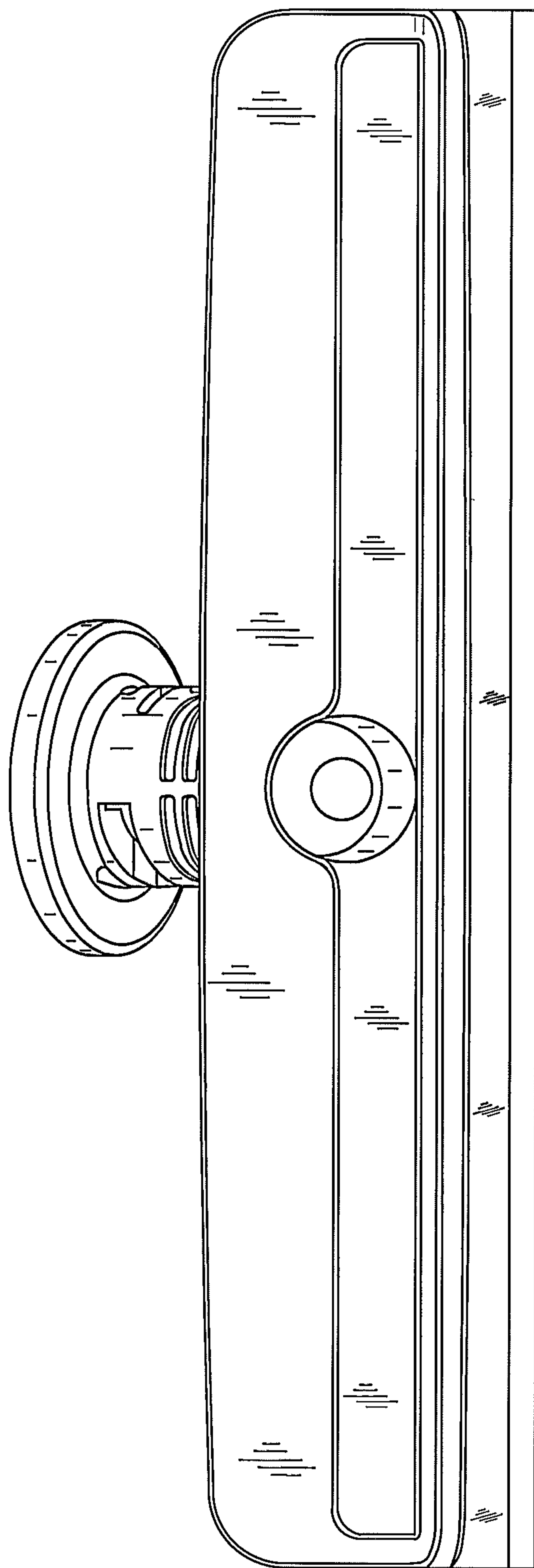


FIG.7