



US00D696825S

(12) **United States Design Patent**
Sweeney et al.

(10) **Patent No.:** **US D696,825 S**

(45) **Date of Patent:** **** Dec. 31, 2013**

(54) **HAND-HELD VACUUM CLEANER**

(75) Inventors: **Sean Sweeney**, Cardiff (GB); **Stephen Houghton**, Newcastle-upon-Tyne (GB)

(73) Assignee: **Black & Decker Inc.**, Newark, DE (US)

(**) Term: **14 Years**

(21) Appl. No.: **29/430,044**

(22) Filed: **Aug. 21, 2012**

(51) **LOC (9) Cl.** **15-05**

(52) **U.S. Cl.**
USPC **D32/18**

(58) **Field of Classification Search**
USPC D32/17-18, 31, 34, 22; 15/344, 329,
15/335, 327.1, 327.2, 410-411, 246.2,
15/409, 300.1, 347, 352-353, 327.5, 338,
15/412, 351; 55/DIG. 2, 429
See application file for complete search history.

(56) **References Cited**

U.S. PATENT DOCUMENTS

| | | | | | | |
|-----------|----|---|---------|-------------------|-------|--------|
| D314,846 | S | * | 2/1991 | deBlois | | D32/18 |
| D398,425 | S | * | 9/1998 | Hudson | | D32/18 |
| D401,021 | S | * | 11/1998 | Stephens et al. | | D32/18 |
| D432,743 | S | * | 10/2000 | Santiago | | D32/18 |
| D459,560 | S | * | 6/2002 | Lau | | D32/18 |
| 6,434,785 | B1 | * | 8/2002 | Vandenbelt et al. | | 15/344 |

| | | | | | | |
|----------|---|---|---------|---------------|-------|--------|
| D507,385 | S | * | 7/2005 | Ma | | D32/18 |
| D565,811 | S | * | 4/2008 | Fjellman | | D32/18 |
| D565,812 | S | * | 4/2008 | Fjellman | | D32/18 |
| D569,059 | S | * | 5/2008 | Stratford | | D32/18 |
| D569,060 | S | * | 5/2008 | Stratford | | D32/18 |
| D579,161 | S | * | 10/2008 | Crawley | | D32/18 |
| D595,463 | S | * | 6/2009 | Tirone et al. | | D32/18 |
| D608,063 | S | * | 1/2010 | Okuda et al. | | D32/18 |
| D608,511 | S | * | 1/2010 | Okuda et al. | | D32/18 |
| D648,083 | S | * | 11/2011 | Luyckx et al. | | D32/18 |
| D660,527 | S | * | 5/2012 | Kawase et al. | | D32/18 |
| D660,528 | S | * | 5/2012 | Okuda et al. | | D32/18 |

* cited by examiner

Primary Examiner — Ruth McInroy

(74) *Attorney, Agent, or Firm* — John Yun

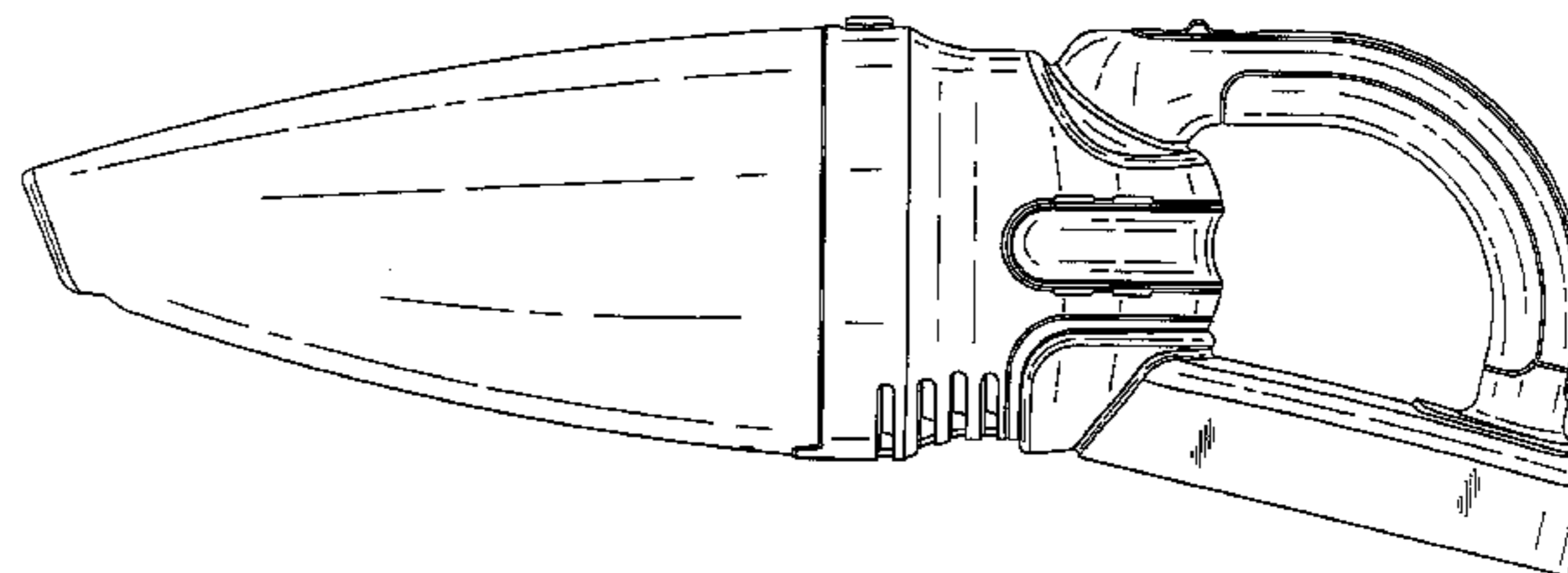
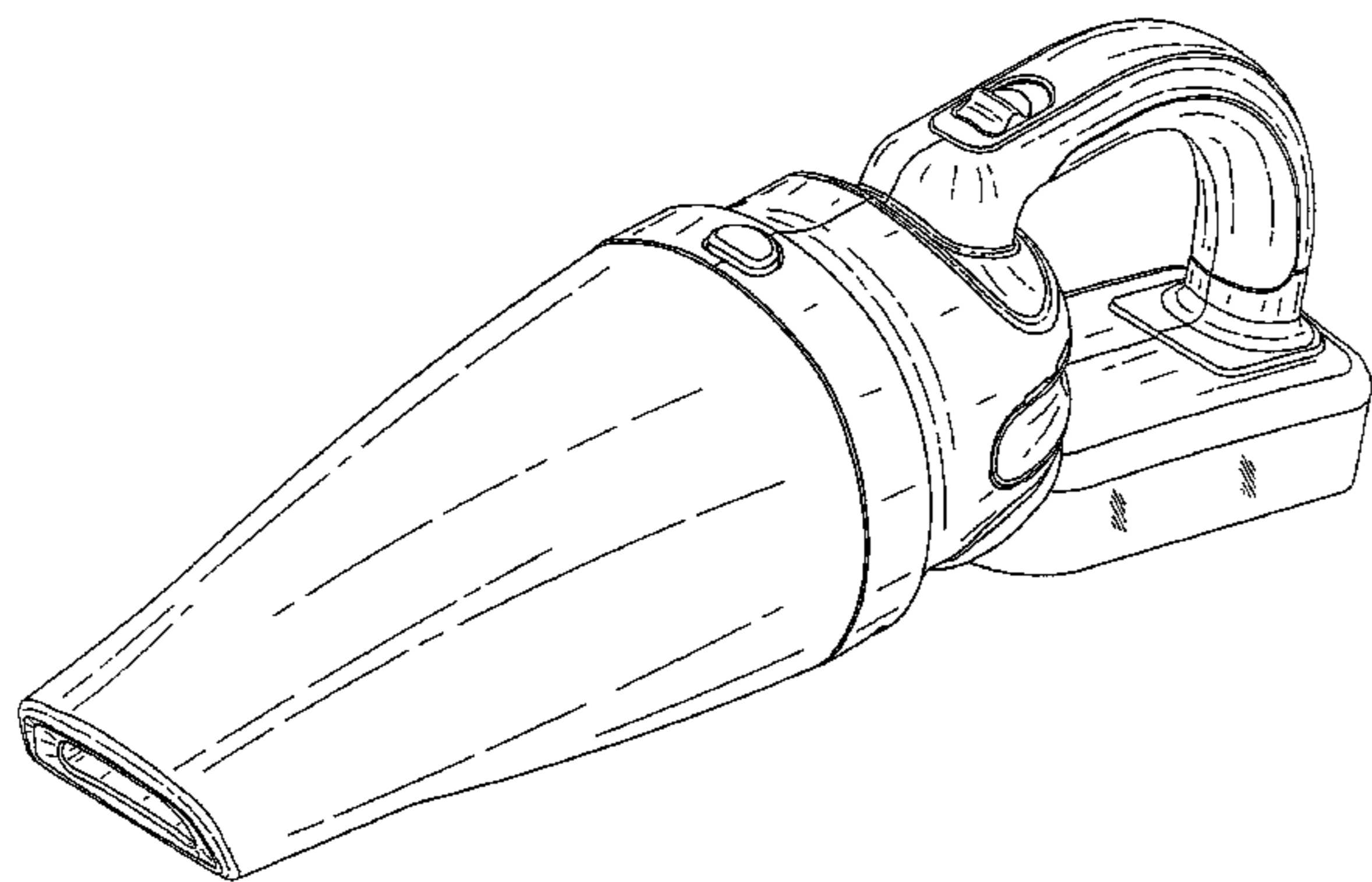
(57) **CLAIM**

The ornamental design for a hand-held vacuum cleaner, as shown and described.

DESCRIPTION

FIG. 1 is a left perspective view of a hand-held vacuum cleaner showing my new design;
FIG. 2 is a left side view thereof;
FIG. 3 is a right side view thereof;
FIG. 4 is a front view thereof;
FIG. 5 is a rear view thereof;
FIG. 6 is a top plan view thereof; and,
FIG. 7 is a bottom plan view thereof.

1 Claim, 6 Drawing Sheets



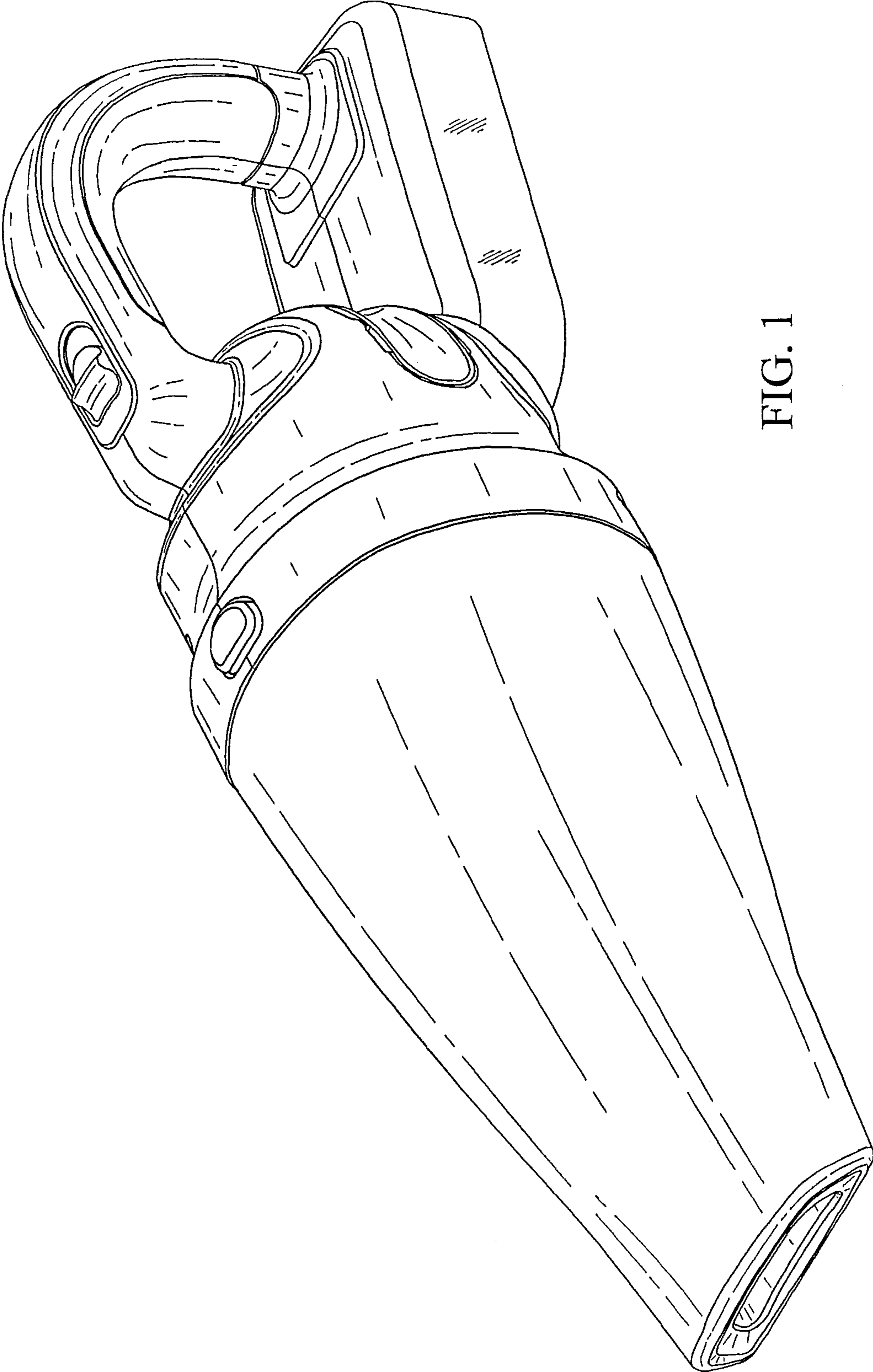


FIG. 1

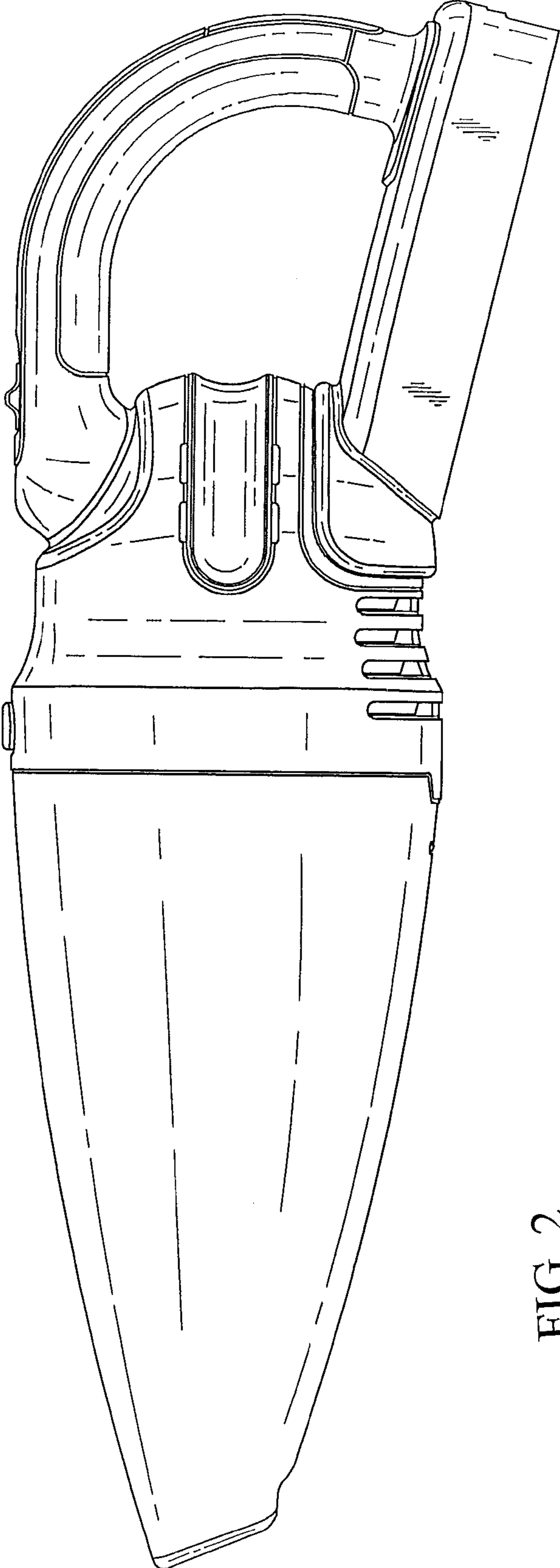


FIG. 2

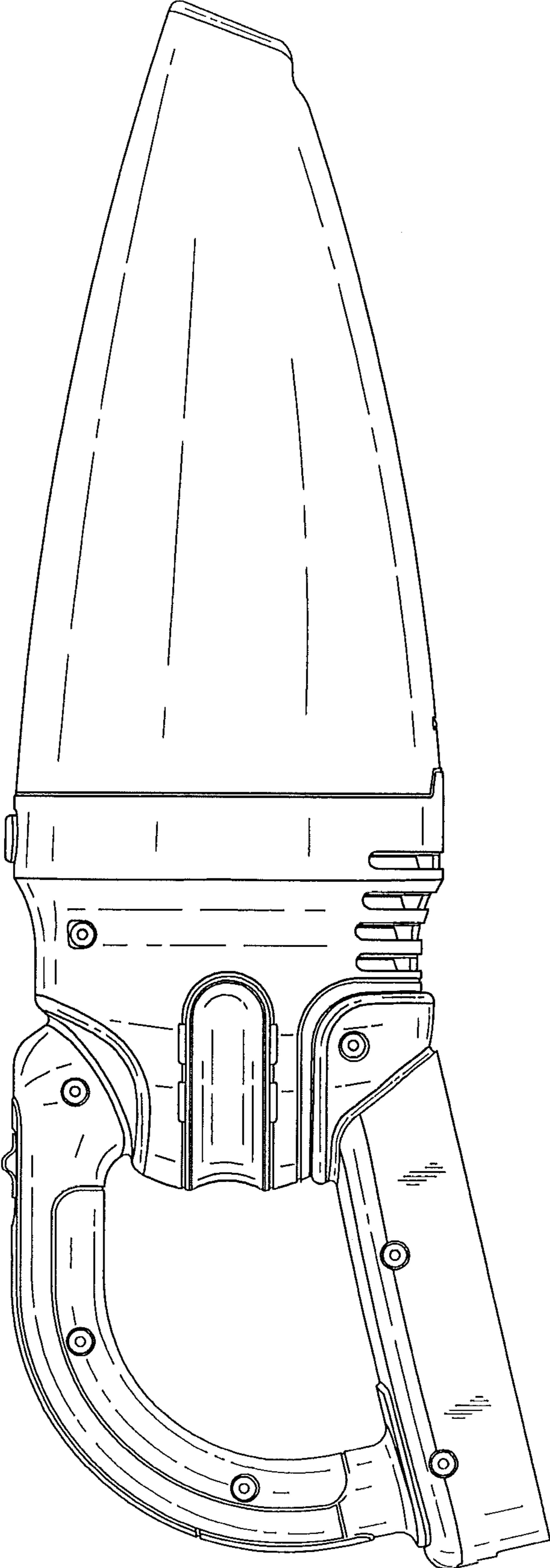


FIG. 3

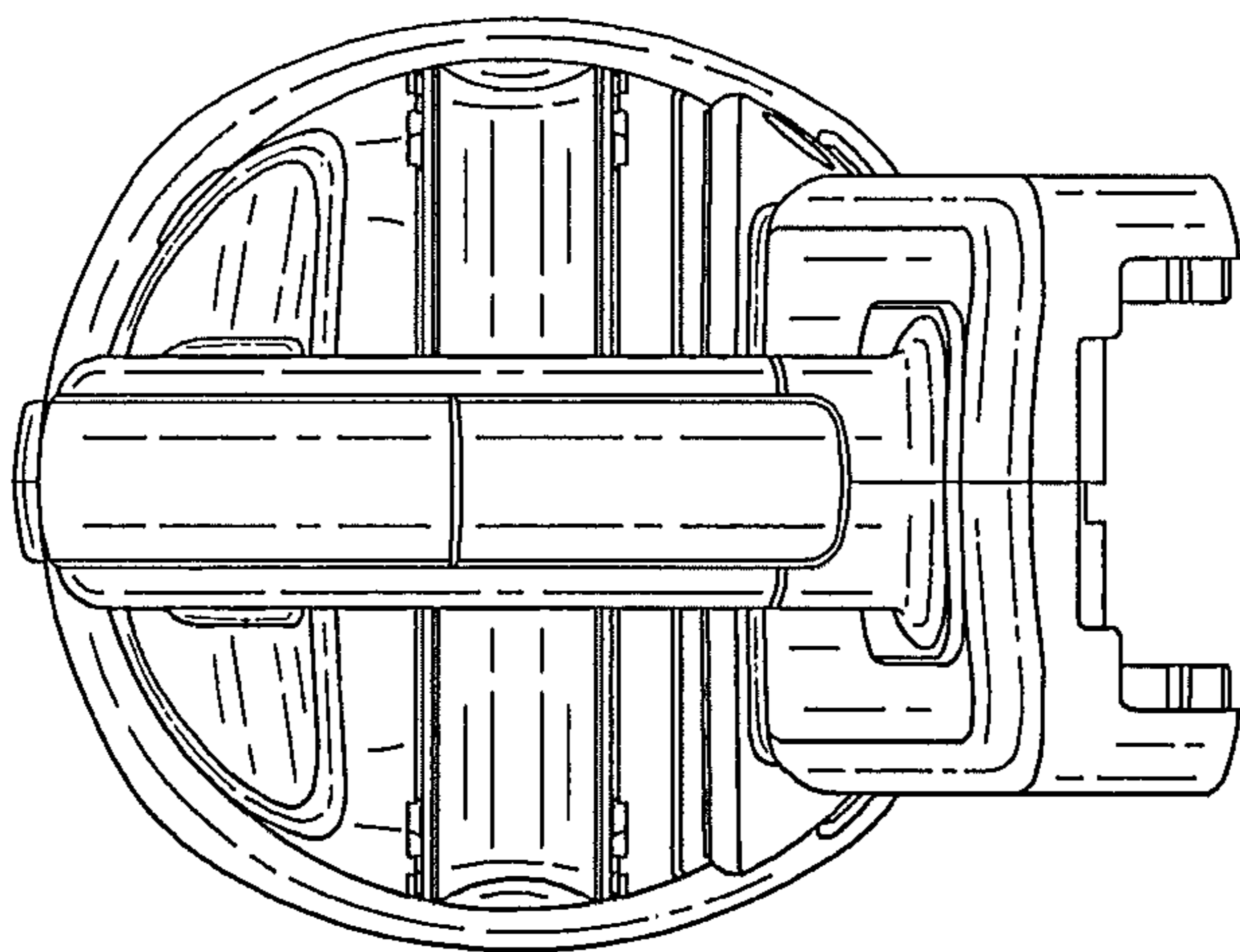


FIG. 4

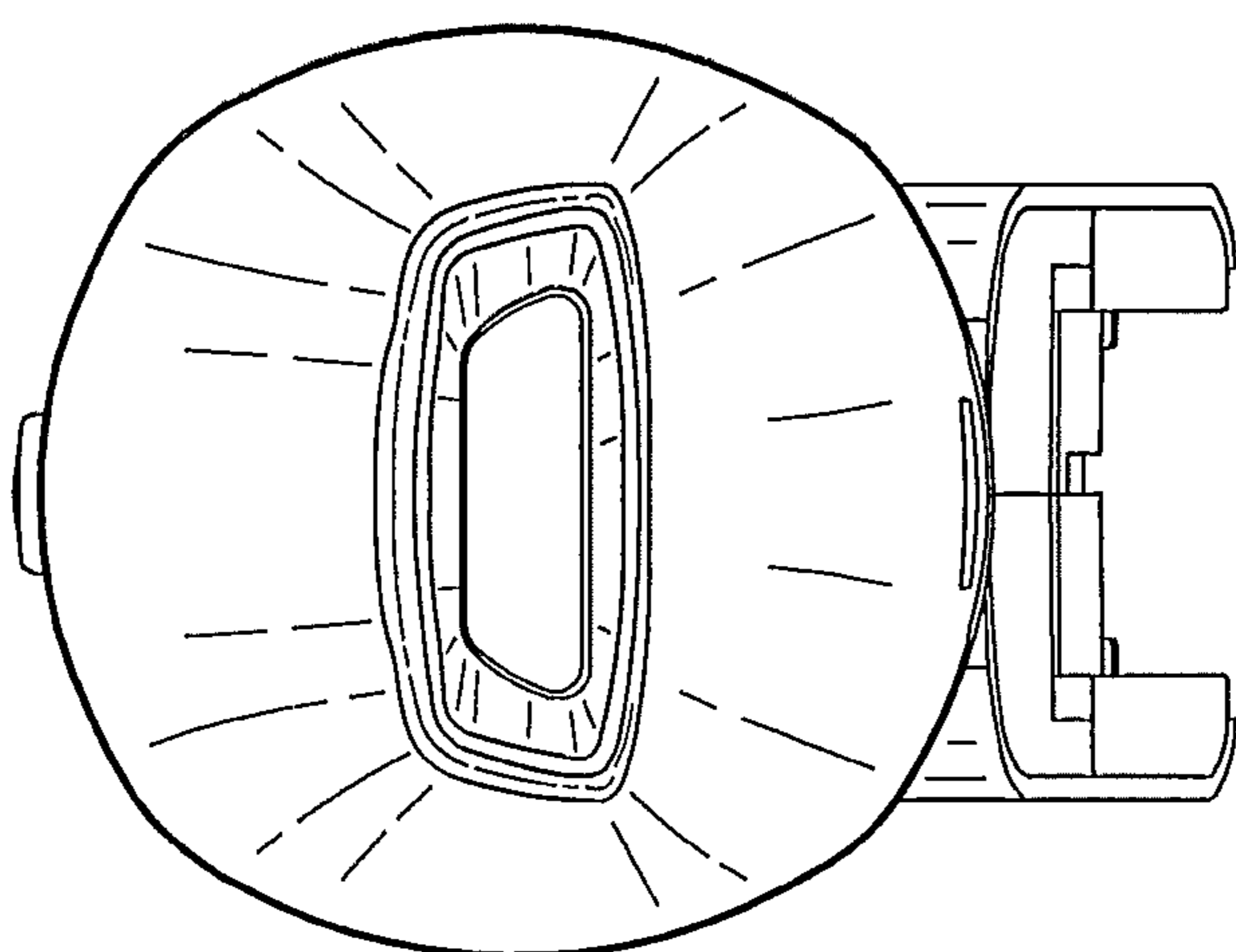


FIG. 5

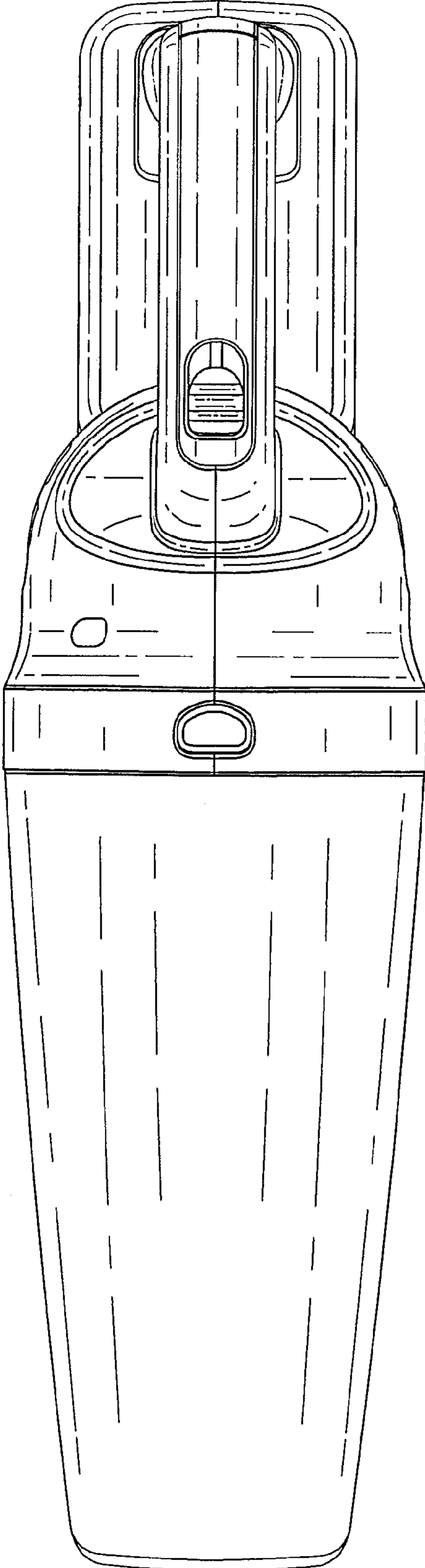


FIG. 6

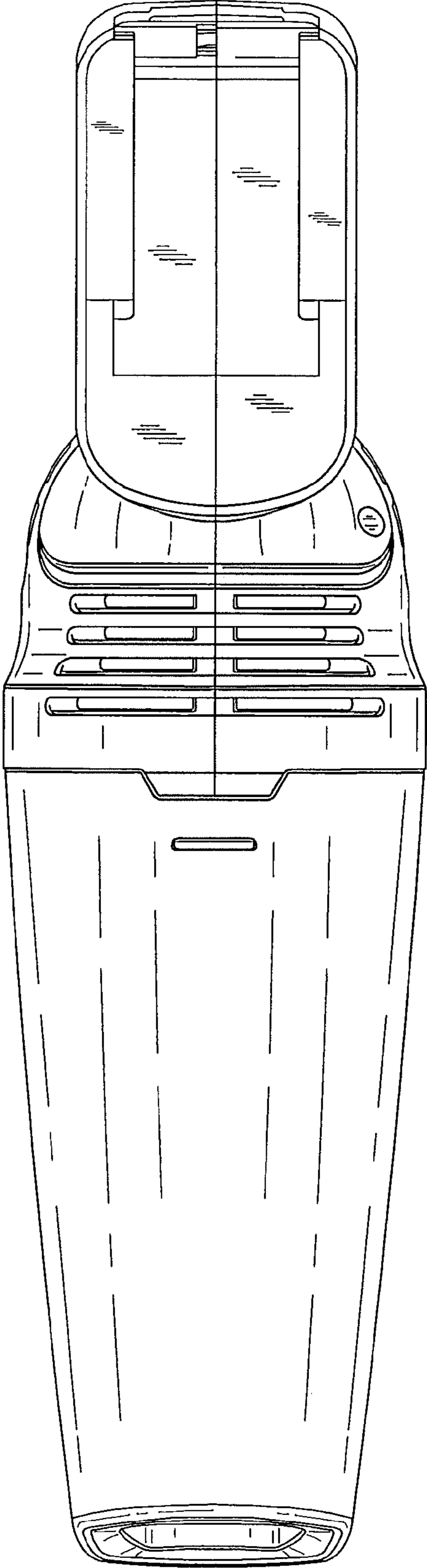


FIG. 7