

US00D696823S

(12) **United States Design Patent**  
**Crawley**

(10) **Patent No.:** **US D696,823 S**

(45) **Date of Patent:** **\*\* Dec. 31, 2013**

(54) **BLOWER VACUUM DEVICE**

(75) Inventor: **Graeme Crawley**, Newcastle-upon-Tyne (GB)

(73) Assignee: **Black & Decker Inc.**, Newark, DE (US)

(\*\*) Term: **14 Years**

(21) Appl. No.: **29/429,866**

(22) Filed: **Aug. 17, 2012**

(30) **Foreign Application Priority Data**

Feb. 20, 2012 (EM) ..... 001314991

(51) **LOC (9) Cl.** ..... **15-05**

(52) **U.S. Cl.**  
USPC ..... **D32/15**

(58) **Field of Classification Search**  
USPC ..... D32/1, 15, 17-18; D23/213, 383;  
15/330, 339, 344-345, 347, 405, 410,  
15/415.1

See application file for complete search history.

(56) **References Cited**

**U.S. PATENT DOCUMENTS**

4,713,858	A *	12/1987	Kelber	.....	15/347
4,870,714	A *	10/1989	Miner	.....	15/327.5
D359,603	S *	6/1995	Rakocy et al.	.....	D32/15
5,511,281	A *	4/1996	Webster	.....	15/330
5,535,479	A *	7/1996	Pink et al.	.....	15/410
5,673,457	A *	10/1997	Webster et al.	.....	15/330
D400,322	S *	10/1998	Webster et al.	.....	D32/15
D405,566	S *	2/1999	Webster et al.	.....	D32/15
D408,950	S *	4/1999	Basham	.....	D32/15
D416,360	S *	11/1999	Enkyo et al.	.....	D32/15
6,141,823	A *	11/2000	Fujiwara et al.	.....	15/330
6,552,891	B1 *	4/2003	Prach	.....	361/212
D480,844	S *	10/2003	Noma et al.	.....	D32/15

6,735,813	B2 *	5/2004	Oohama	.....	15/330
D497,692	S *	10/2004	Nawrozki et al.	.....	D32/15
D498,885	S *	11/2004	Robson	.....	D32/15
D526,750	S *	8/2006	Ito	.....	D32/15
D558,939	S *	1/2008	Yuasa	.....	D32/15
D569,055	S *	5/2008	Bochmann et al.	.....	D32/15
D584,460	S *	1/2009	Sweeney	.....	D32/15
D584,461	S *	1/2009	Sweeney	.....	D32/15
D594,961	S *	6/2009	Tinius	.....	D23/383
D605,819	S *	12/2009	Tinius	.....	D32/15
D615,716	S *	5/2010	Tinius	.....	D32/15
7,748,078	B2 *	7/2010	Andriolo et al.	.....	15/330
D637,774	S *	5/2011	Li et al.	.....	D32/15
8,104,138	B2 *	1/2012	Schliemann et al.	.....	15/345
2009/0271945	A1 *	11/2009	Ludwigson	.....	15/415.1
2011/0197389	A1 *	8/2011	Ota et al.	.....	15/339
2012/0073080	A1 *	3/2012	Yokoyama	.....	15/405

\* cited by examiner

*Primary Examiner* — T. Chase Nelson

*Assistant Examiner* — Kathleen M Sims

(74) *Attorney, Agent, or Firm* — John Yun

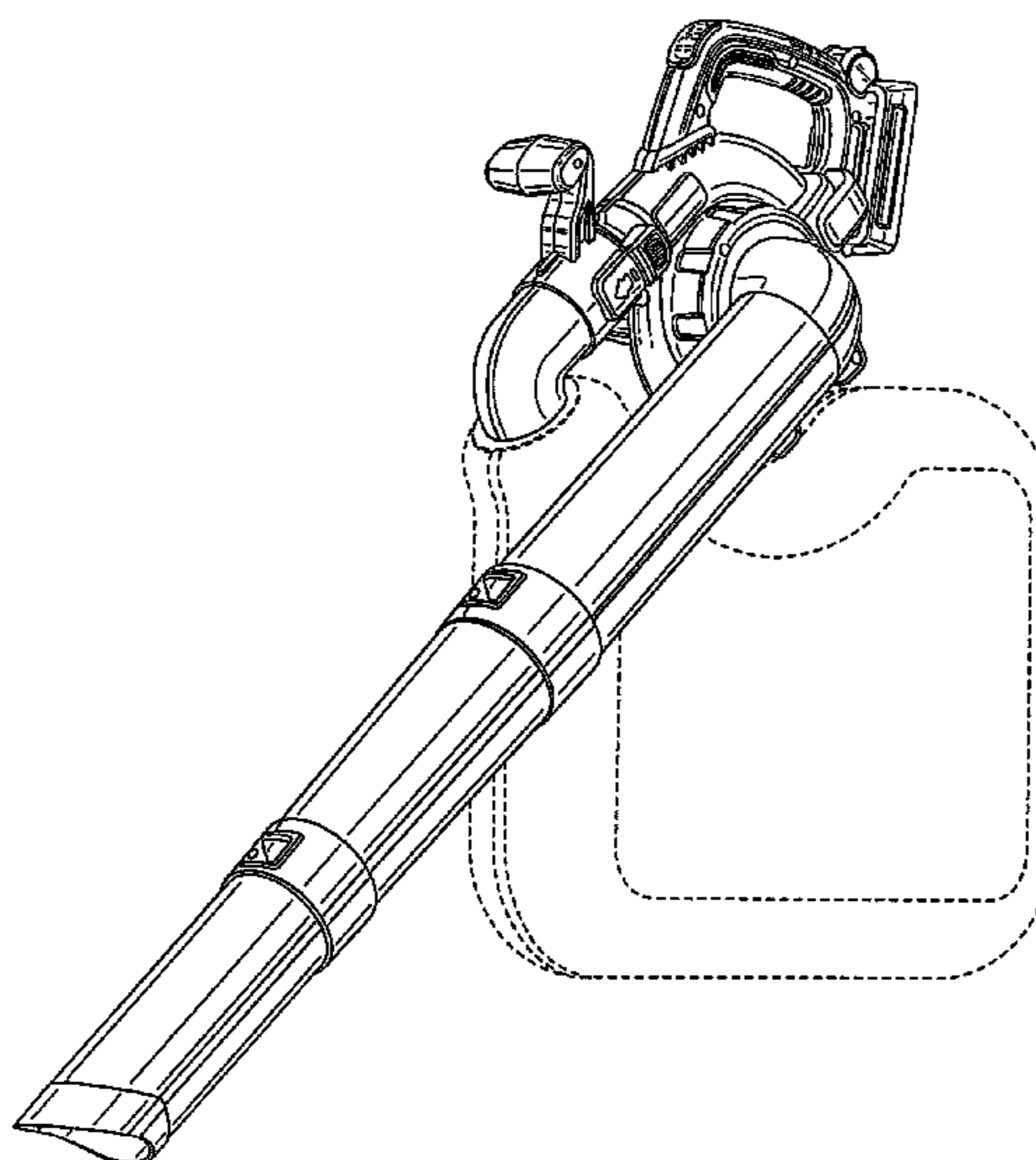
(57) **CLAIM**

The ornamental design for a blower vacuum device, as shown and described.

**DESCRIPTION**

FIG. 1 is a left perspective view of a blower vacuum device in a vacuum mode showing my new design;  
FIG. 2 is a left side view thereof  
FIG. 3 is a right side view thereof;  
FIG. 4 is a front view thereof;  
FIG. 5 is a rear view thereof;  
FIG. 6 is a top plan view thereof; and,  
FIG. 7 is a bottom plan view thereof.  
In the above drawings the broken lines and the areas within the broken lines form no part of the claimed design.

**1 Claim, 5 Drawing Sheets**



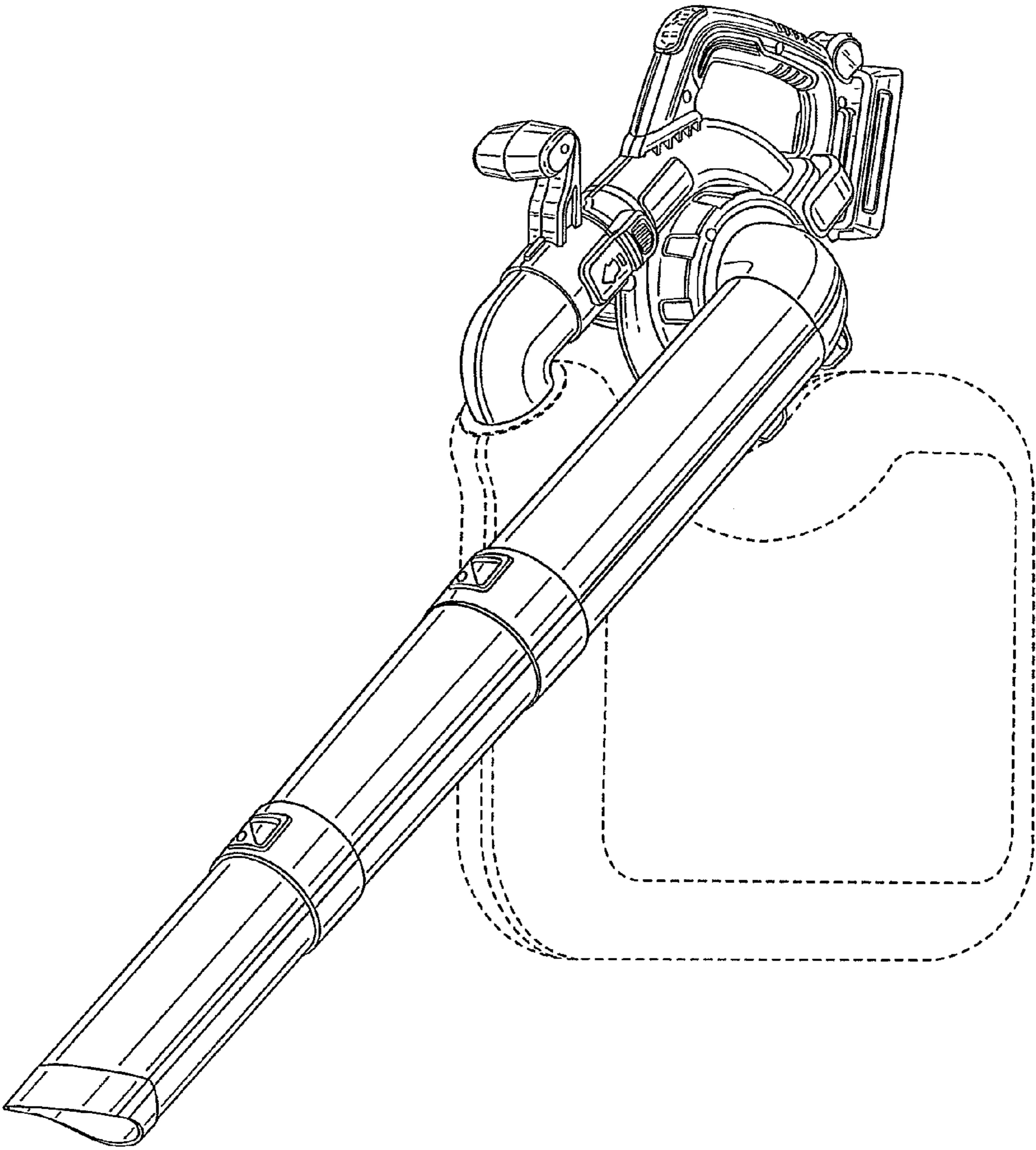


FIG. 1

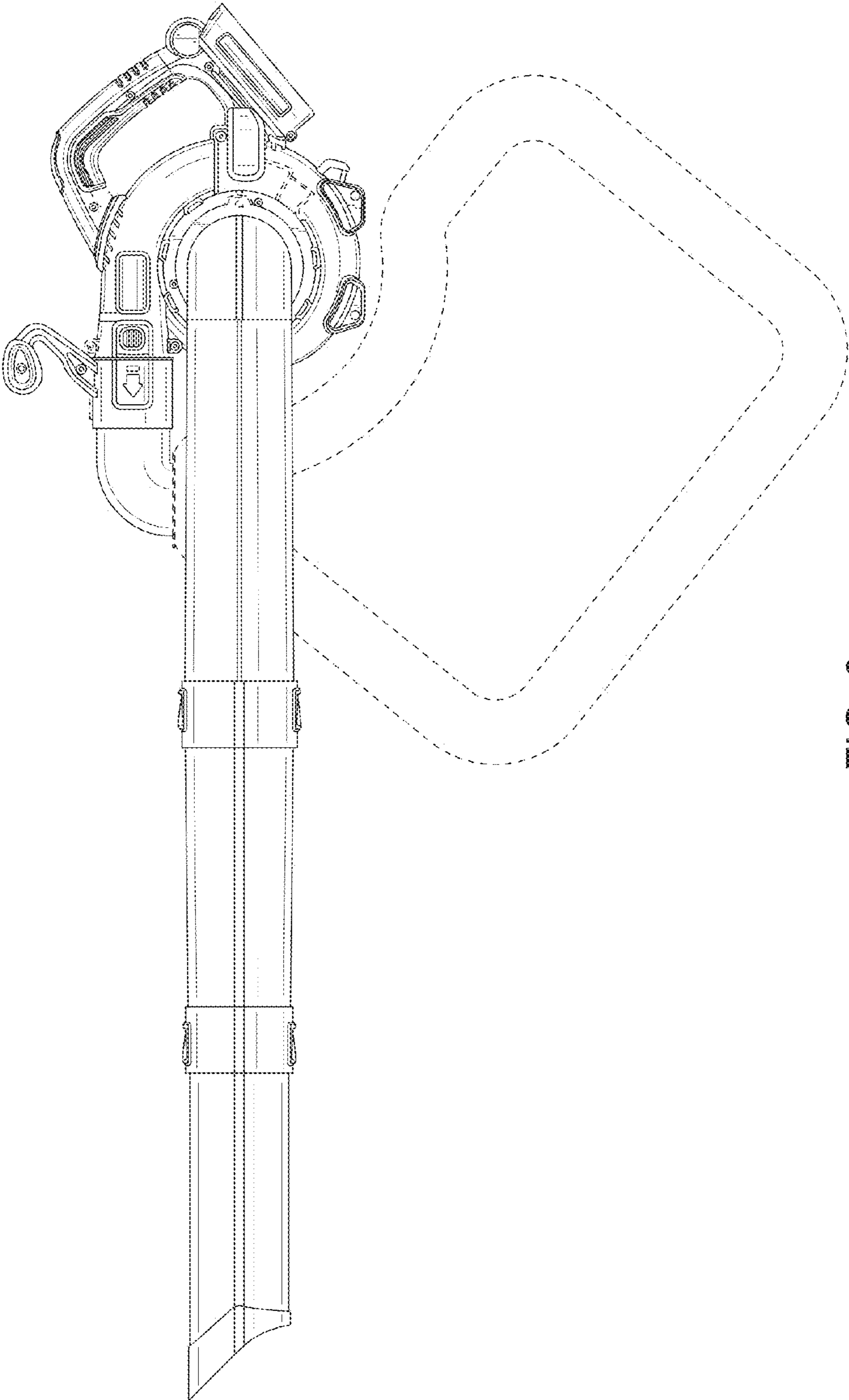


FIG. 2

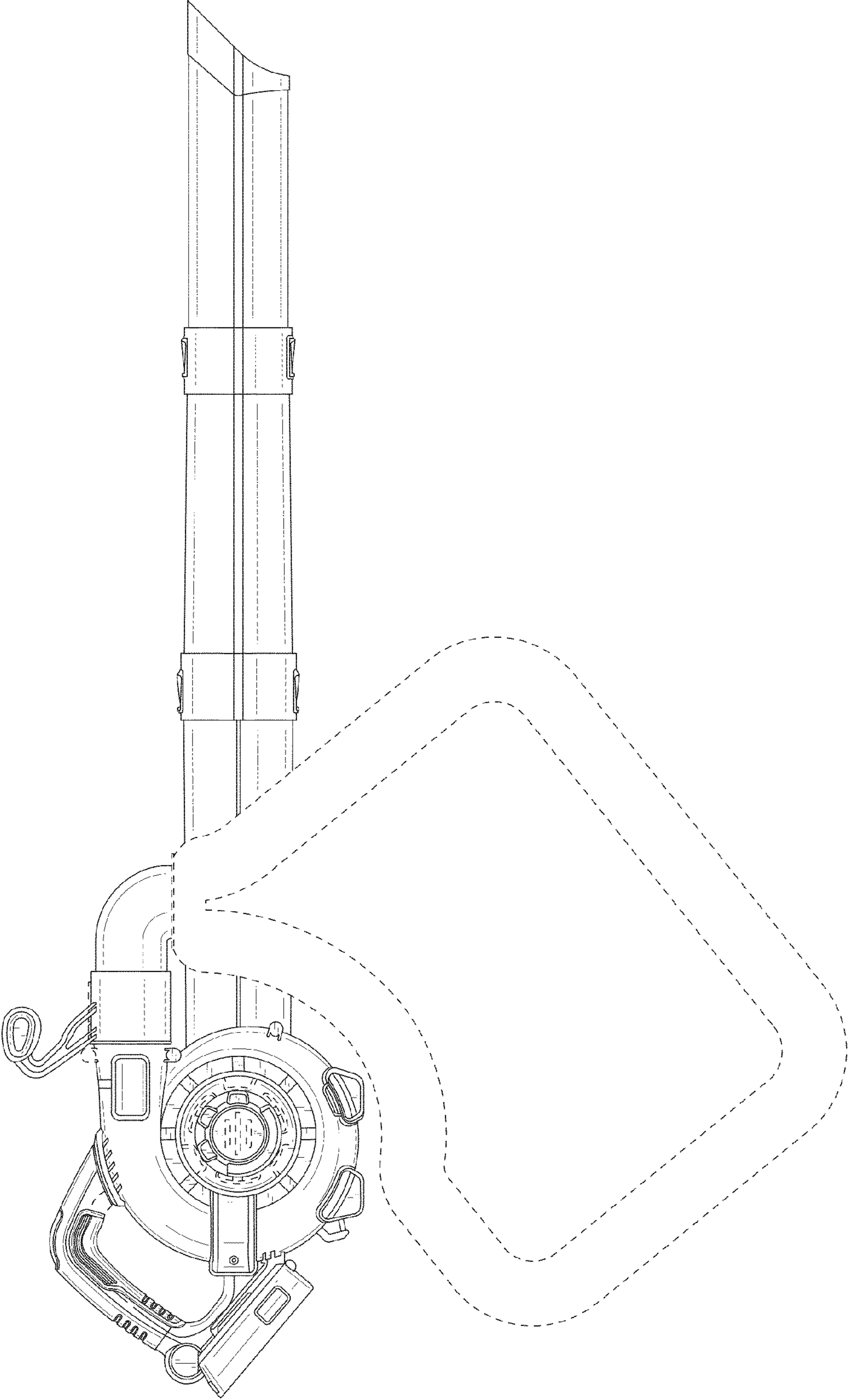


FIG. 3

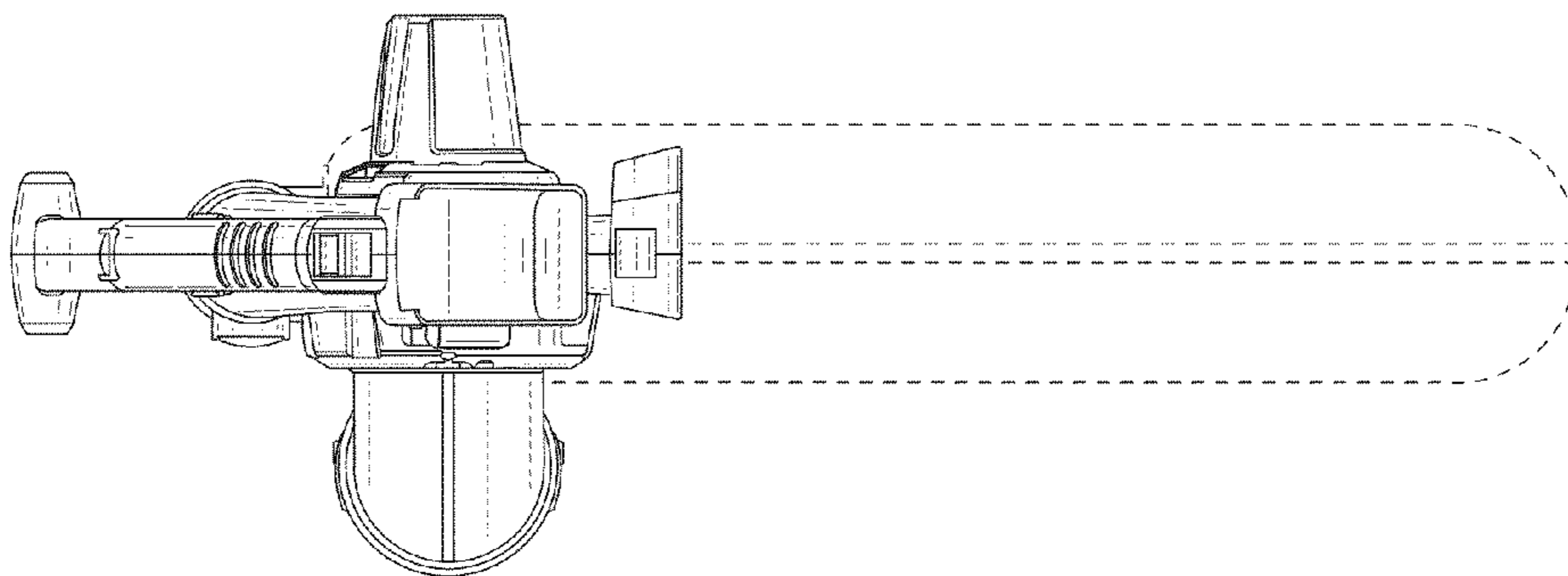


FIG. 5

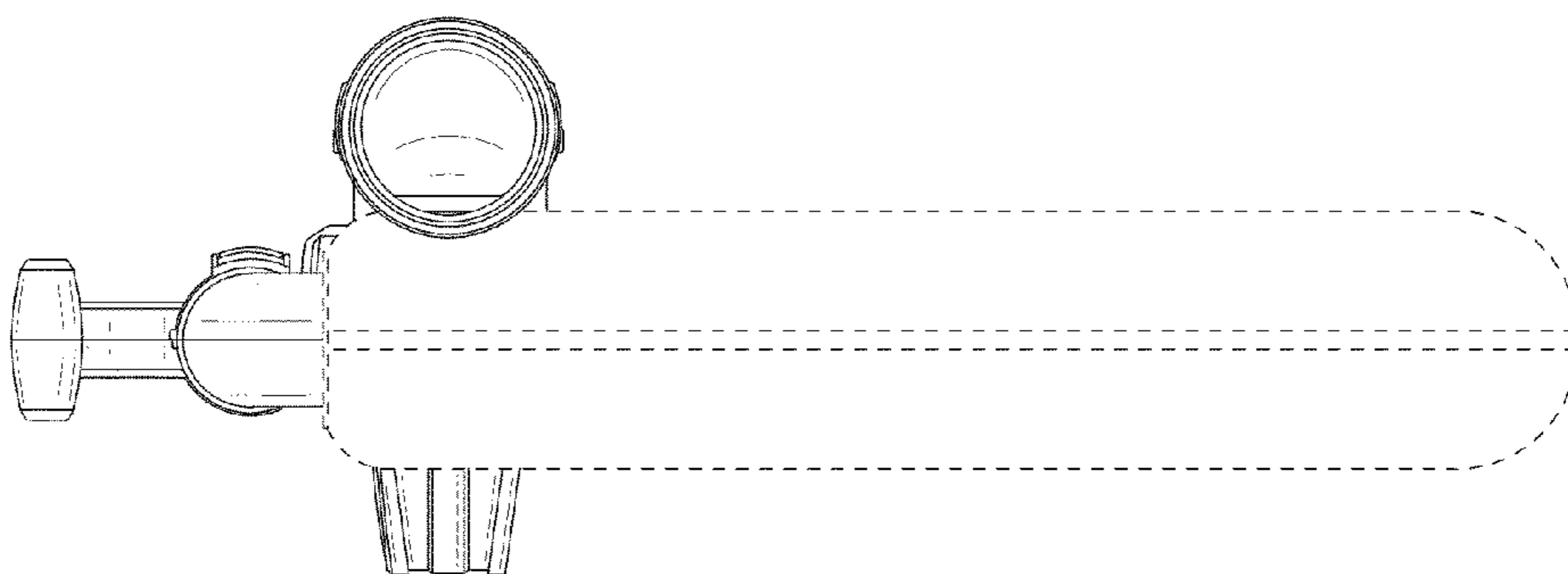


FIG. 4

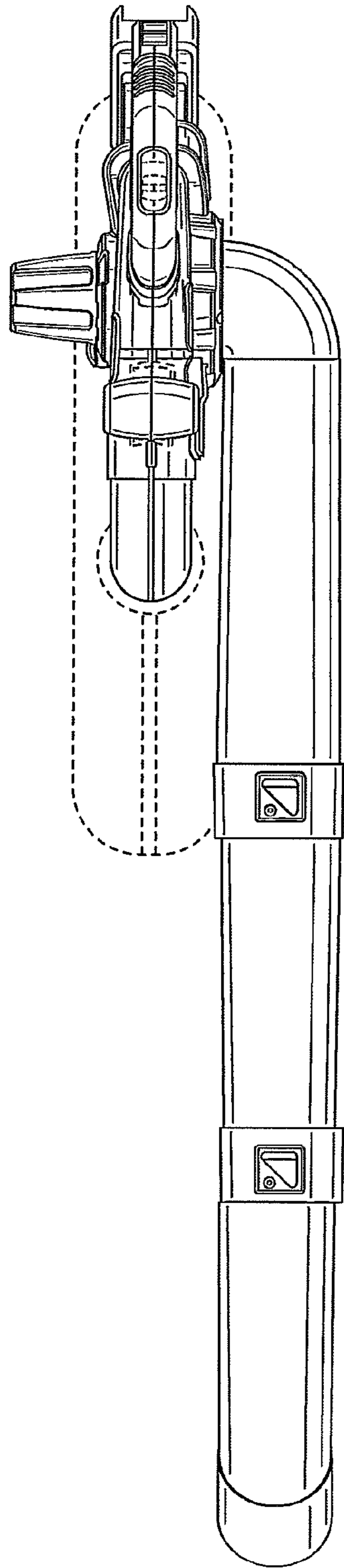


FIG. 6

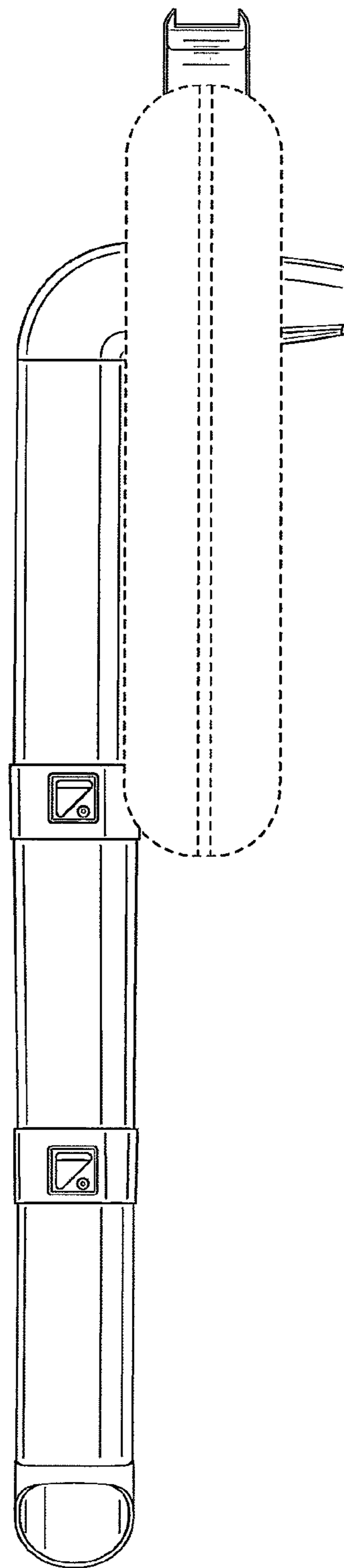


FIG. 7