



US00D696822S

(12) **United States Design Patent**
Pearcey

(10) **Patent No.:** **US D696,822 S**

(45) **Date of Patent:** **** Dec. 31, 2013**

(54) **ANIMAL URINE COLLECTOR**

(71) Applicant: **Don Pearcey**, Binbrook (CA)

(72) Inventor: **Don Pearcey**, Binbrook (CA)

(**) Term: **14 Years**

(21) Appl. No.: **29/440,112**

(22) Filed: **Dec. 19, 2012**

(30) **Foreign Application Priority Data**

Jun. 26, 2012 (CA) 146188

(51) **LOC (9) Cl.** **30-99**

(52) **U.S. Cl.**
USPC **D30/161**

(58) **Field of Classification Search**
USPC D30/161-162, 199; 119/161, 163-170;
294/1.3, 1.4, 1.5, 176-177, 179, 180
See application file for complete search history.

(56) **References Cited**

U.S. PATENT DOCUMENTS

412,273	A *	10/1889	Kinney	4/470
1,923,481	A *	8/1933	Ford	220/484
3,796,453	A *	3/1974	Grimes	294/1.3
4,042,269	A *	8/1977	Skermetta	294/1.5
4,416,479	A *	11/1983	Rocquin	294/1.3
4,555,132	A *	11/1985	Takoushian	294/1.5
D288,253	S *	2/1987	Hatton et al.	D30/161
5,103,772	A *	4/1992	Schmid	119/162
D330,786	S *	11/1992	Edgar	D30/161
6,039,370	A *	3/2000	Dooley et al.	294/1.5
6,164,710	A *	12/2000	Shibuya	294/1.5
D587,412	S *	2/2009	Oka	D30/162

7,631,910	B2 *	12/2009	Shalhoub	294/1.5
D613,915	S *	4/2010	Plotkin	D30/162
D616,618	S *	5/2010	Pearcey	D30/162
7,762,596	B1 *	7/2010	Gaydos et al.	294/1.5
7,775,568	B2 *	8/2010	Scott	294/1.5
7,950,707	B1 *	5/2011	LaPolla	294/1.5
D662,268	S *	6/2012	Pearcey	D30/162
2004/0124646	A1 *	7/2004	Peko	294/1.4
2008/0116704	A1 *	5/2008	Botello et al.	294/1.5

* cited by examiner

Primary Examiner — Cathy A MacCormac

(74) *Attorney, Agent, or Firm* — Miltons IP/p.i.

(57) **CLAIM**

The ornamental design of an animal urine collector, as shown and described.

DESCRIPTION

FIG. 1 is a perspective view of the animal urine collector in an open position.

FIG. 2 is a front view of the animal urine collector of FIG. 1.

FIG. 3 is a rear view of the animal urine collector of FIG. 1.

FIG. 4 is a right side view of the animal urine collector of FIG. 1.

FIG. 5 is a left side view of the animal urine collector of FIG. 1.

FIG. 6 is a top view of the animal urine collector of FIG. 1.

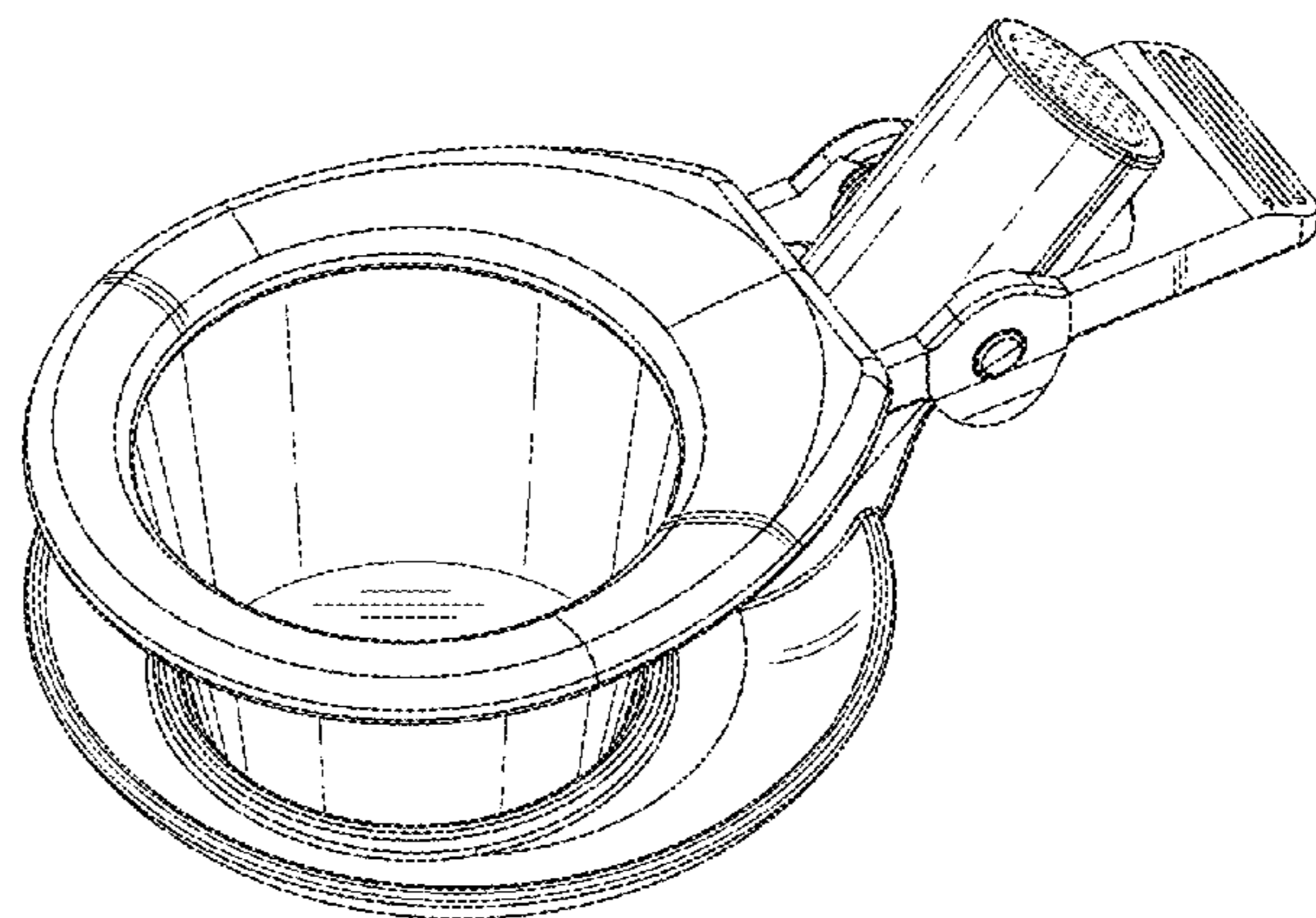
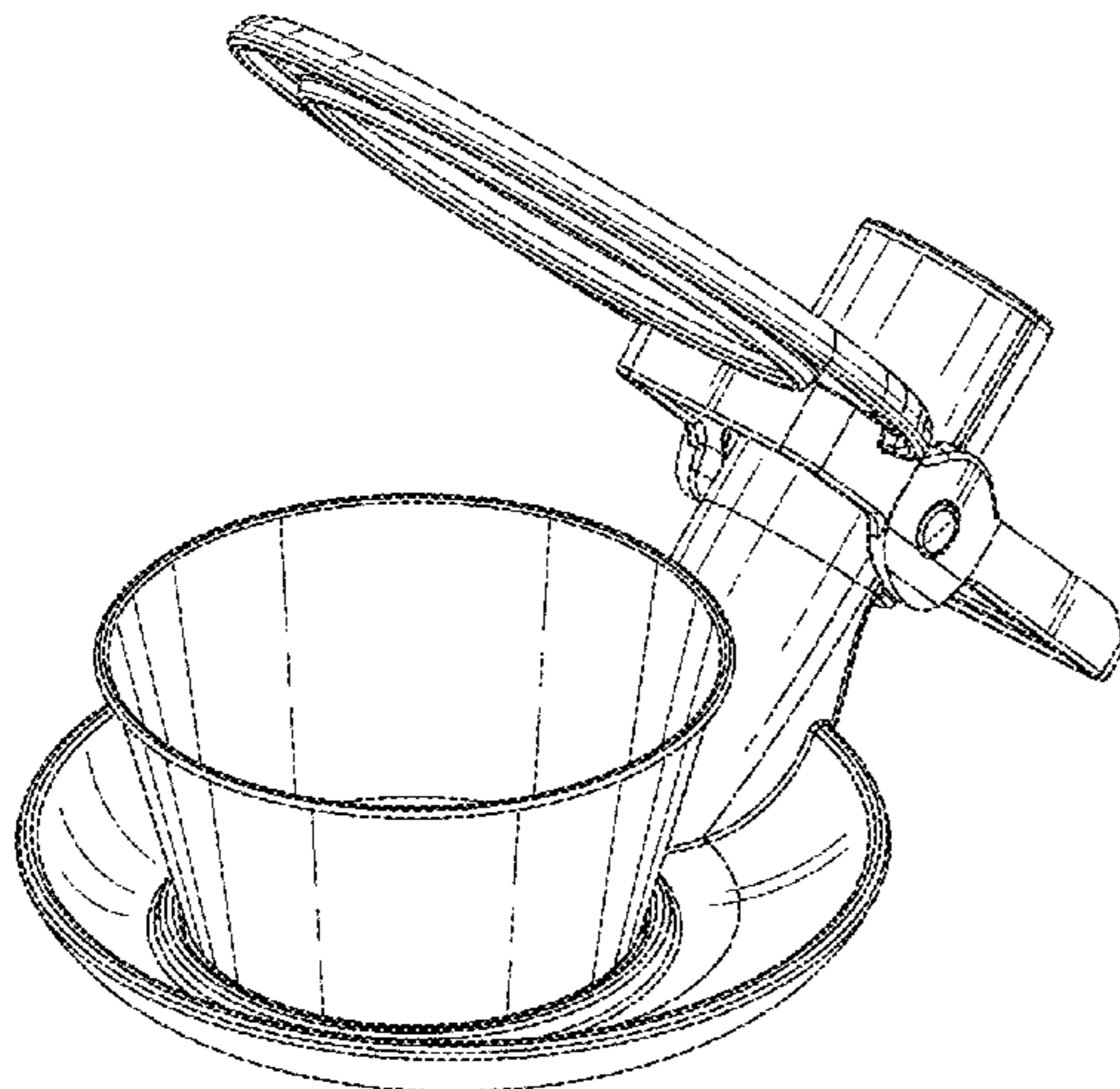
FIG. 7 is a bottom view of the animal urine collector of FIG. 1.

FIG. 8 is an exploded perspective view of the animal urine collector of FIG. 1; and,

FIG. 9 is a perspective view of the animal urine collector in a closed position.

The broken lines are for illustration only and form no part of the claimed design.

1 Claim, 6 Drawing Sheets



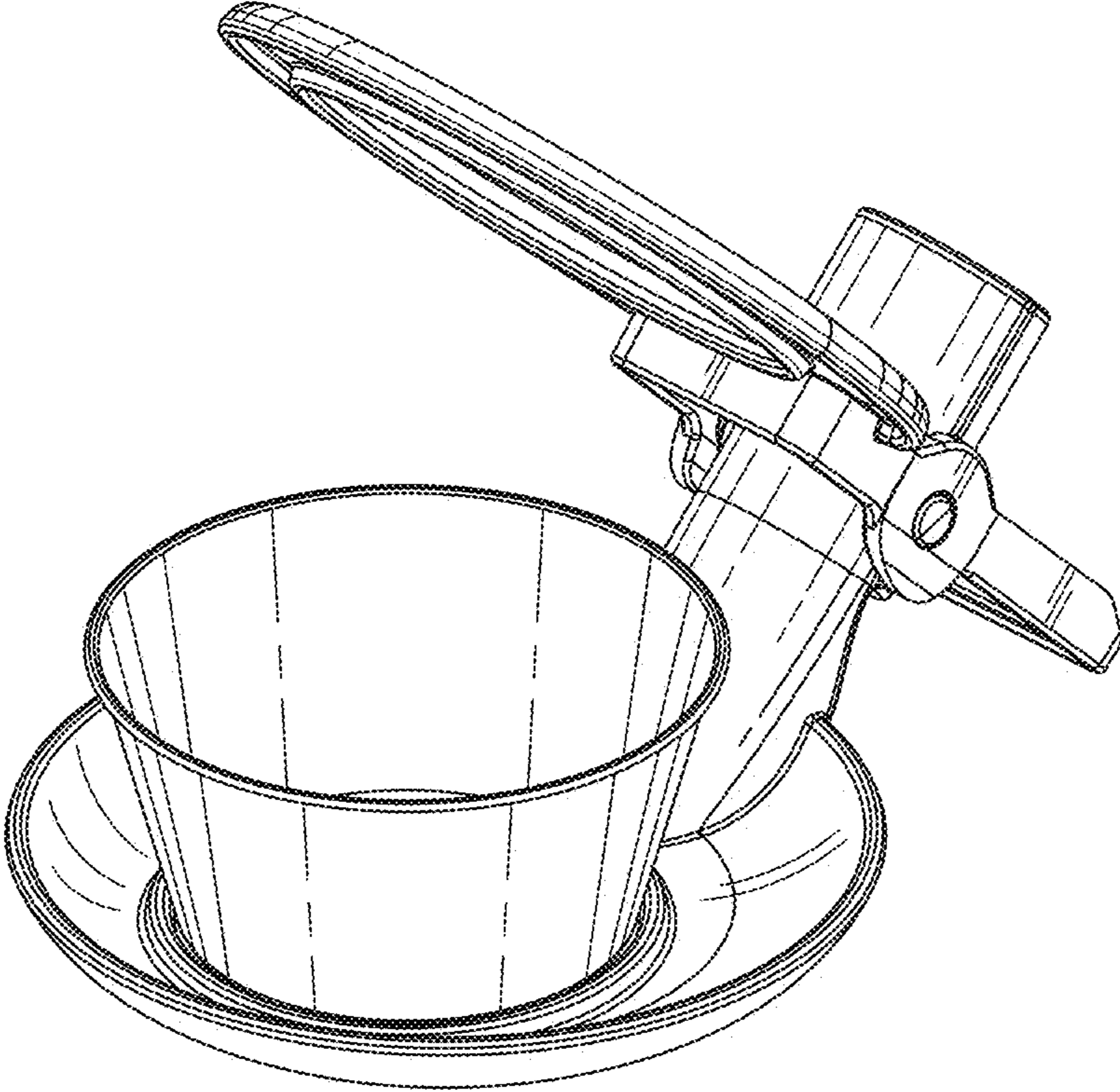


FIG. 1

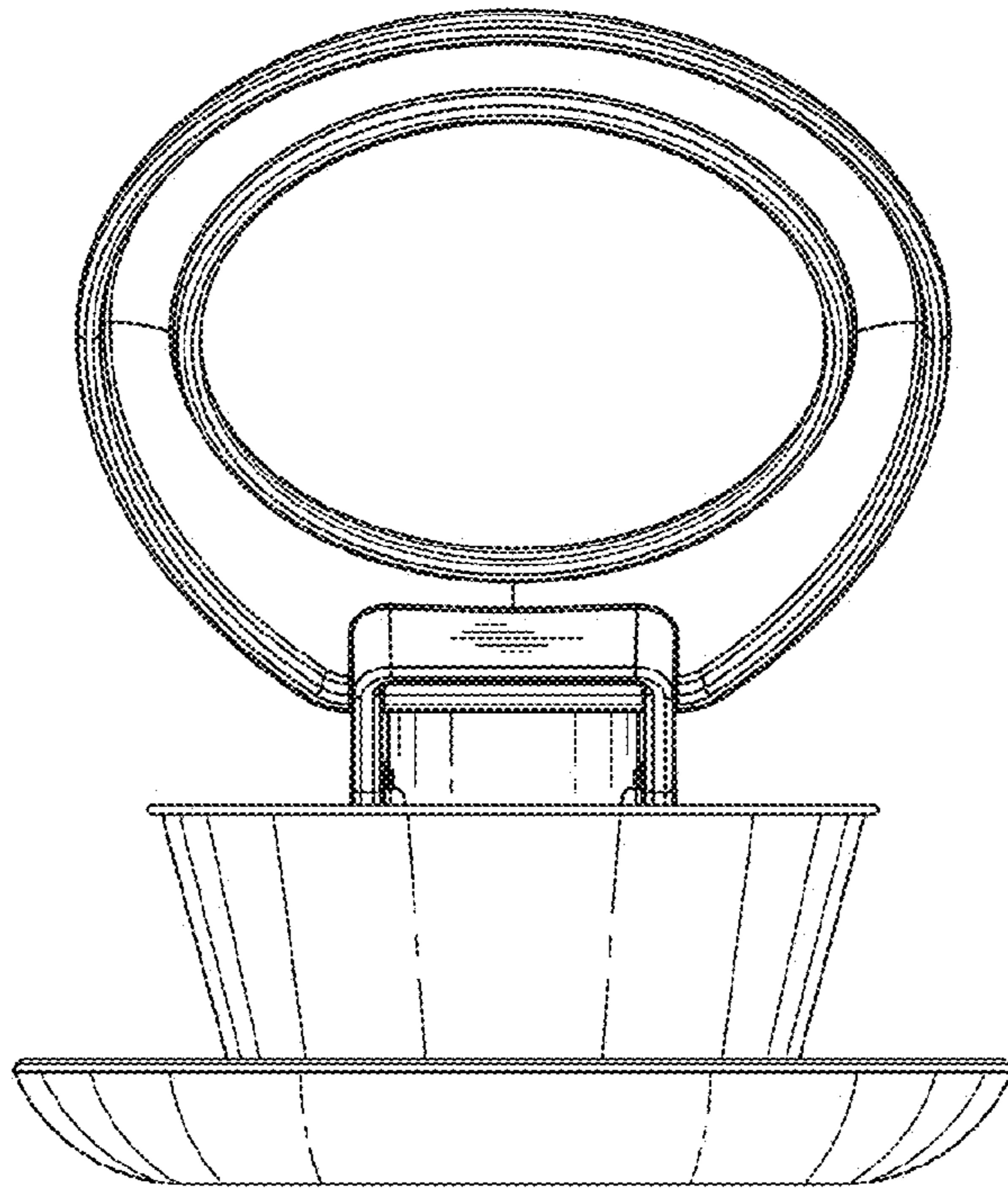


FIG. 2

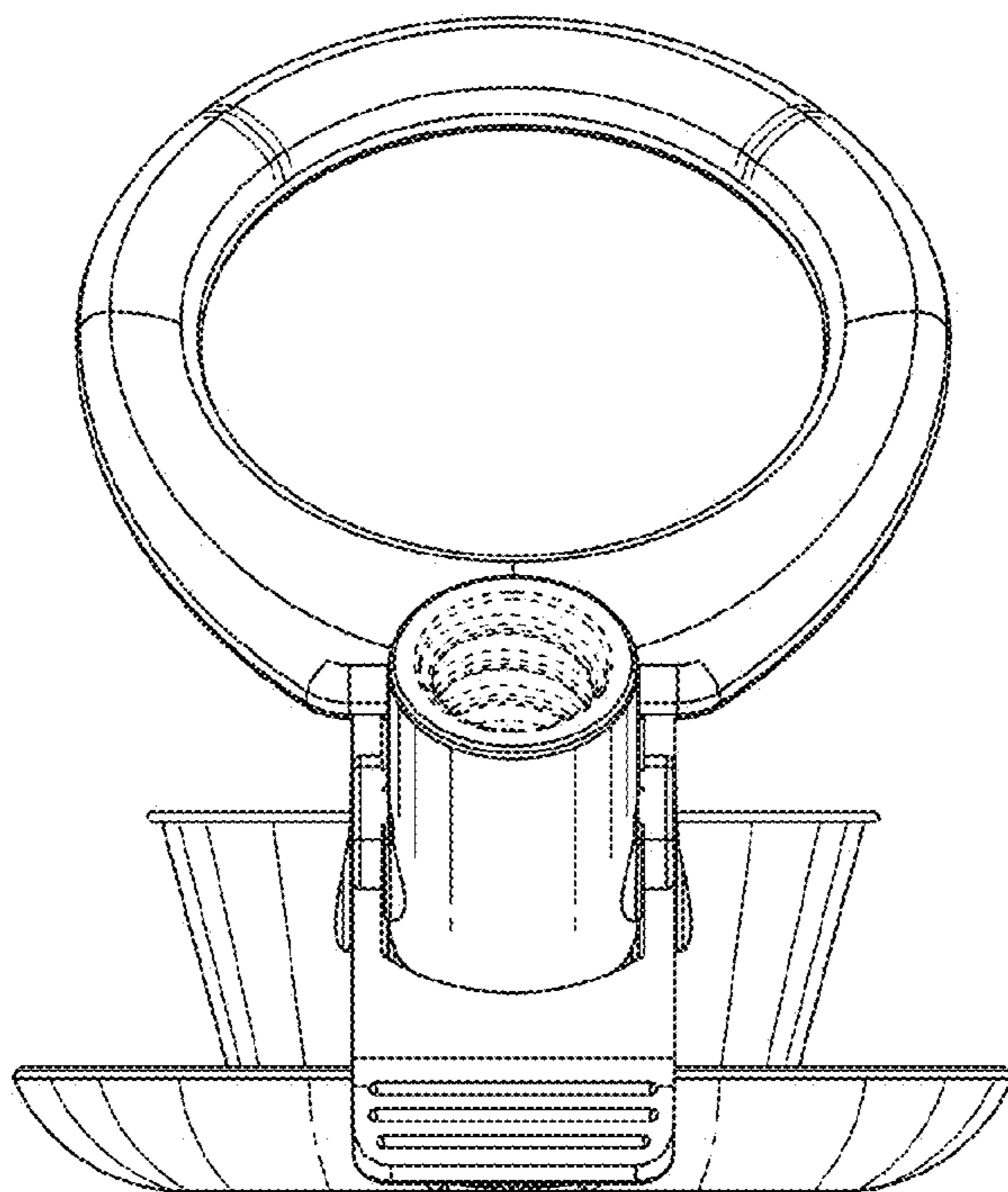


FIG. 3

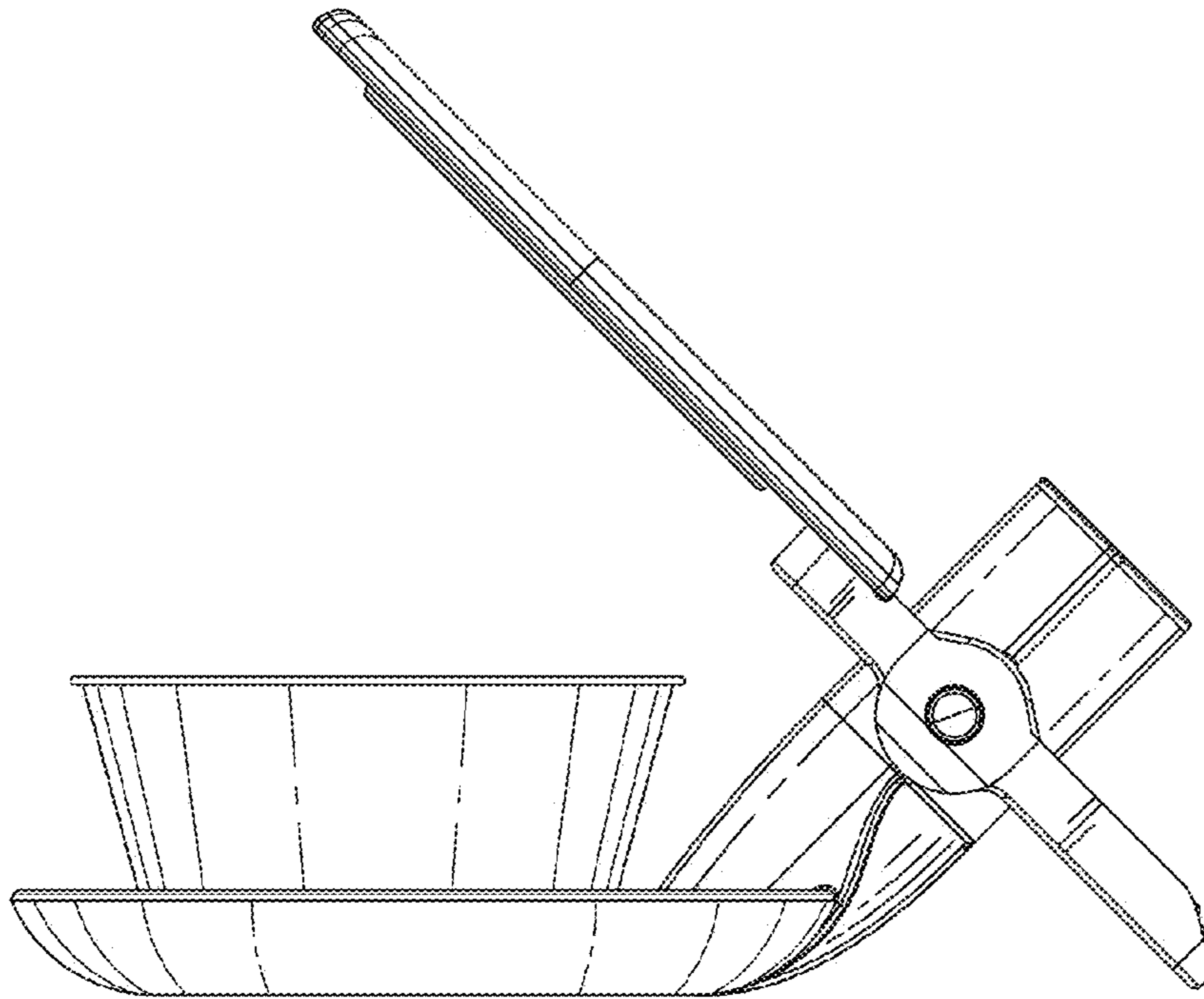


FIG. 4

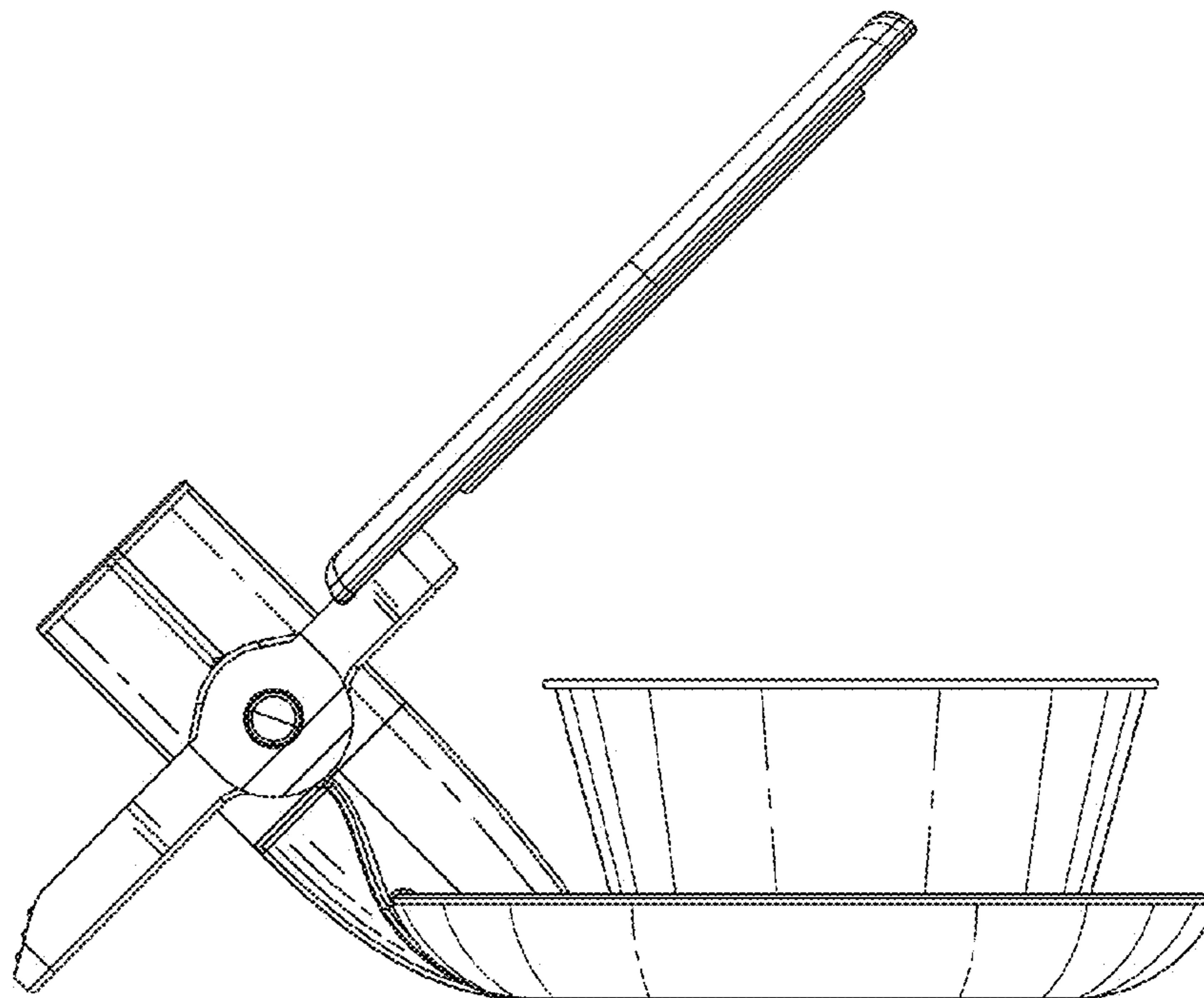


FIG. 5

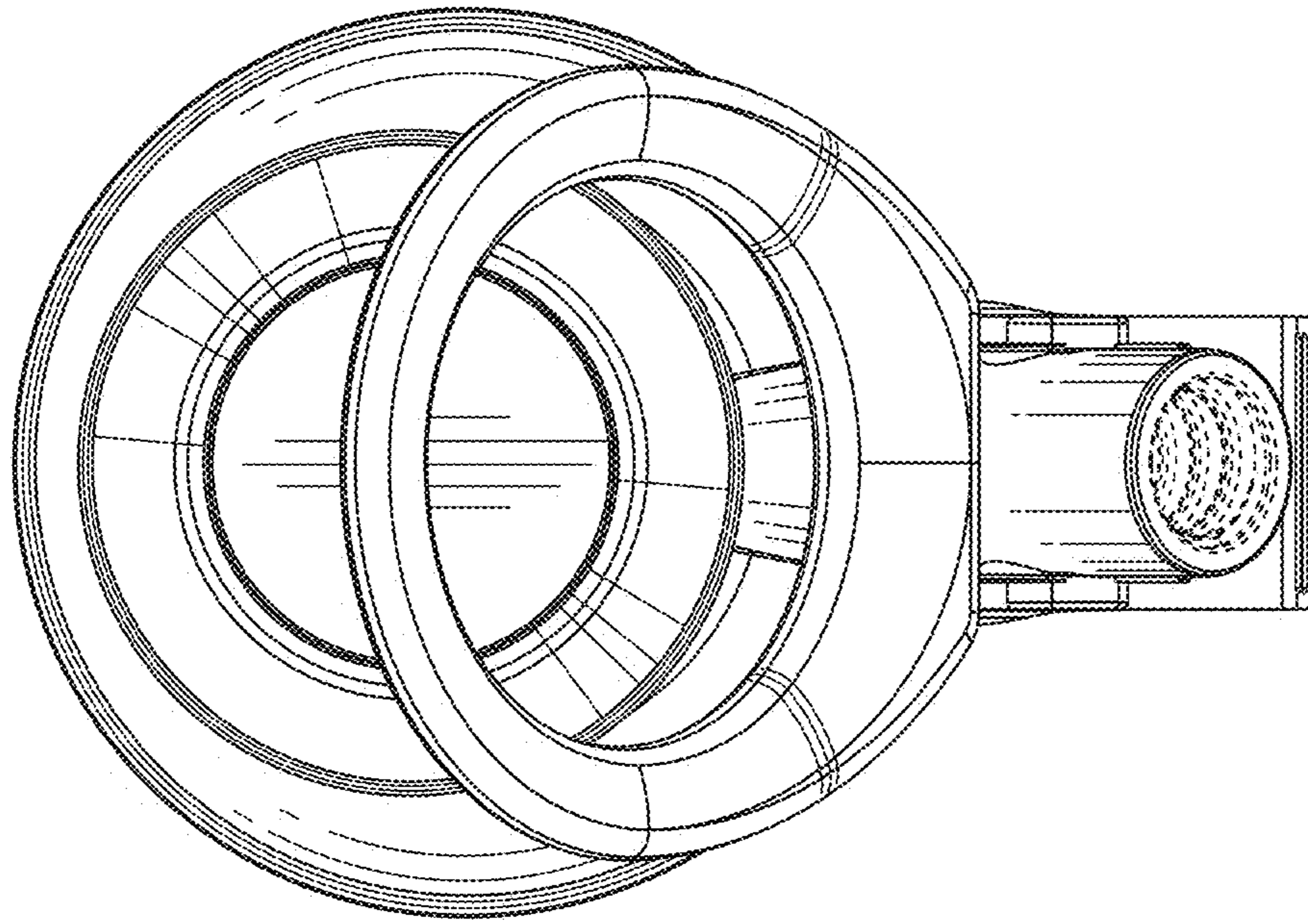


FIG. 6

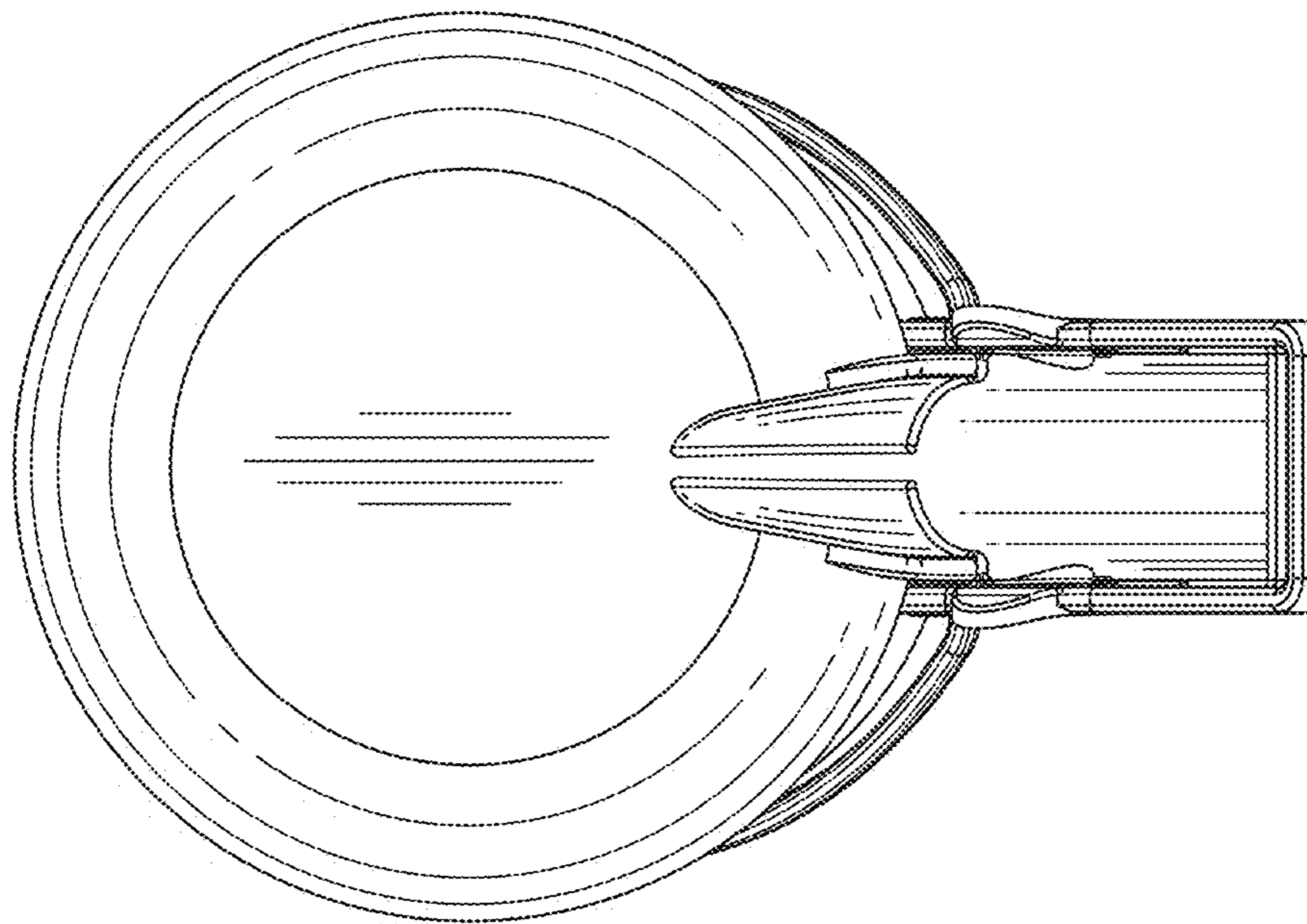


FIG. 7

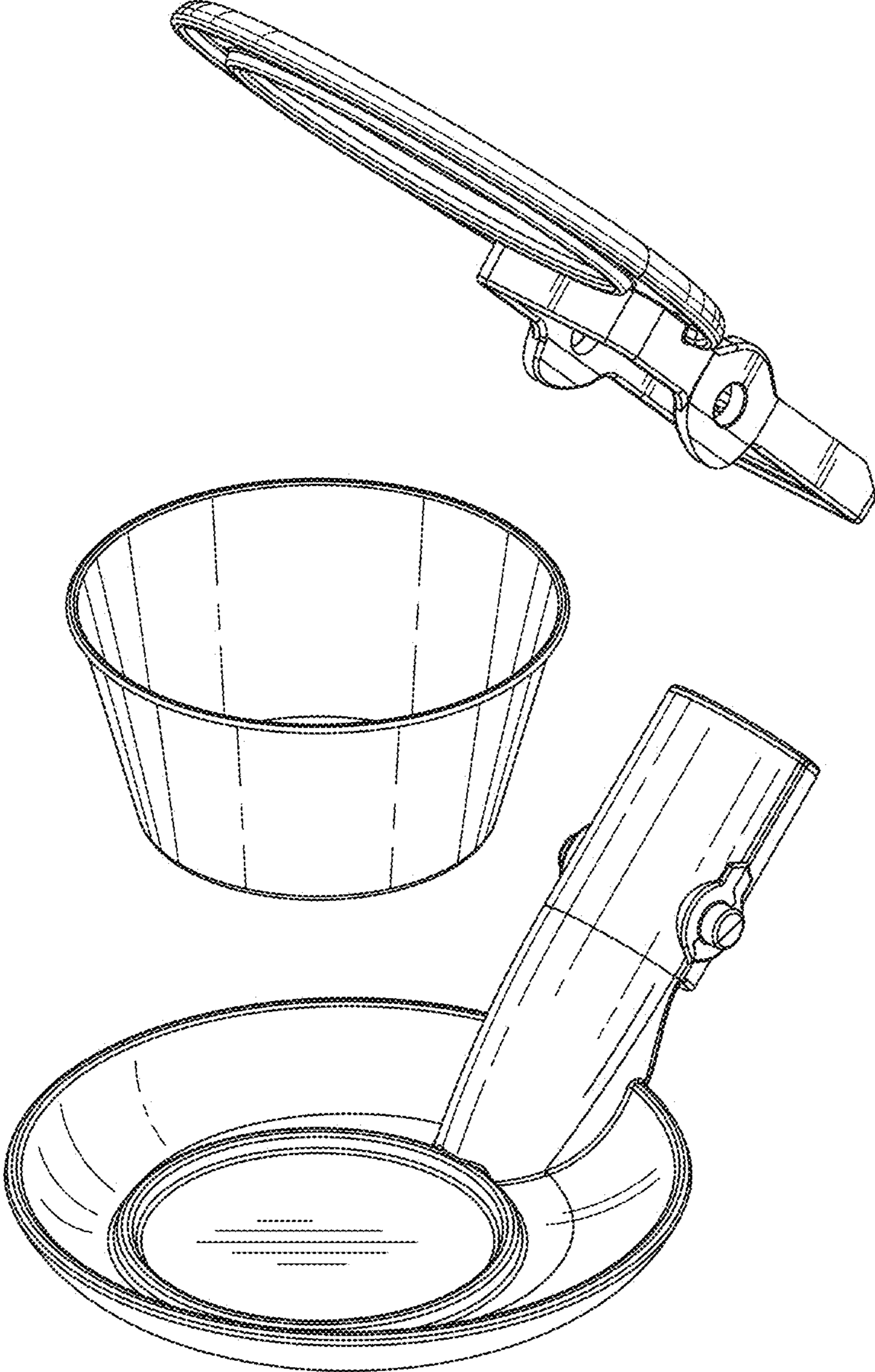


FIG. 8

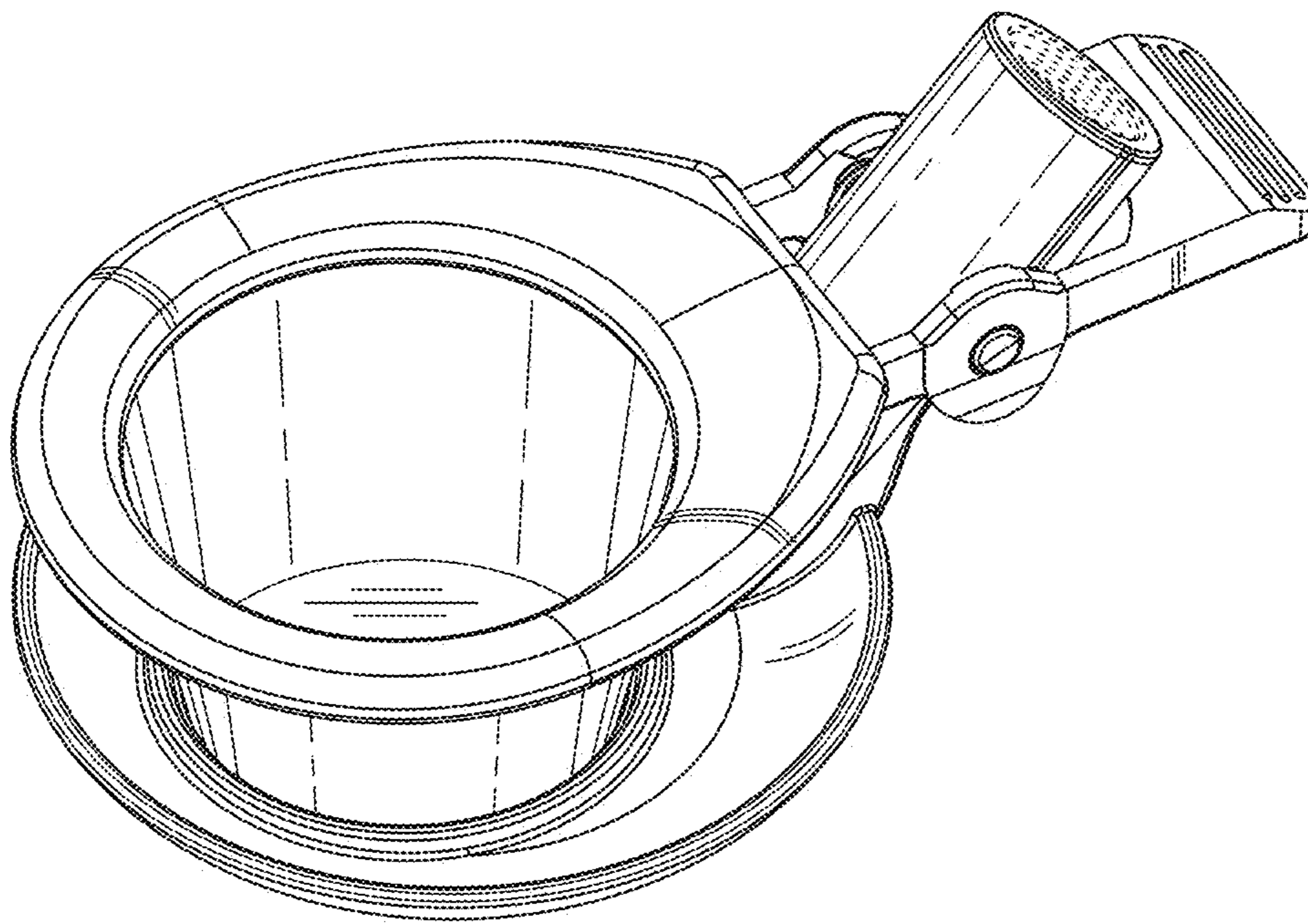


FIG. 9