



US00D696821S

(12) **United States Design Patent**
Haaf

(10) **Patent No.:** **US D696,821 S**
(45) **Date of Patent:** **** Dec. 31, 2013**

(54) **CAT SCRATCHER**

(71) Applicant: **Worldwise, Inc.**, San Rafael, CA (US)

(72) Inventor: **David Haaf**, San Rafael, CA (US)

(73) Assignee: **Worldwise, Inc.**, San Rafael, CA (US)

(**) Term: **14 Years**

(21) Appl. No.: **29/450,943**

(22) Filed: **Mar. 26, 2013**

(51) **LOC (9) Cl.** **30-99**

(52) **U.S. Cl.**
USPC **D30/160**

(58) **Field of Classification Search**
USPC D30/118, 160; D6/349, 601; 119/702,
119/706-711

See application file for complete search history.

(56) **References Cited**

U.S. PATENT DOCUMENTS

217,621 A	7/1879	Jungmann
D25,848 S	7/1896	Yearicks
2,268,732 A	1/1942	Walter et al.
3,085,551 A	4/1963	Helmer
3,159,141 A	12/1964	Paterek
3,561,563 A	2/1971	Harsh
D238,792 S	2/1976	White
4,067,614 A	1/1978	Confer et al.
4,429,868 A	2/1984	LeBlanc et al.
4,539,936 A	9/1985	Majewski
D295,088 S	4/1988	O'Rourke
5,038,716 A	8/1991	Olson
5,275,128 A	1/1994	Barnes
D348,124 S	6/1994	O'Rourke et al.
5,809,933 A	9/1998	Conwell, III
6,045,192 A	4/2000	Faulise
D440,717 S	4/2001	Fazio
D482,878 S	12/2003	Arendt et al.

(Continued)

Primary Examiner — Cathy A MacCormac

(74) *Attorney, Agent, or Firm* — Bay Area Technology Law Group PC

(57) **CLAIM**

The ornamental design for a cat scratcher, as shown and described.

DESCRIPTION

FIG. 1 is a perspective view of a cat scratcher showing my new design;

FIG. 2 is a left side view of FIG. 1;

FIG. 3 is a right side view of FIG. 1;

FIG. 4 is a top plan view of FIG. 1;

FIG. 5 is a bottom plan view of FIG. 1;

FIG. 6 is a rear view of FIG. 1;

FIG. 7 is a front view of FIG. 1;

FIG. 8 is an exploded perspective view thereof;

FIG. 9 is a perspective view of the vertical segment shown in FIG. 1; ps FIG. 10 is a front view of FIG. 9;

FIG. 11 is a rear view of FIG. 9;

FIG. 12 is a left side view of FIG. 9;

FIG. 13 is a right side view of FIG. 9;

FIG. 14 is a top plan view of FIG. 9;

FIG. 15 is a bottom plan view of FIG. 9;

FIG. 16 is a top plan view of the horizontal segment shown in FIG. 8;

FIG. 17 is a bottom plan view of FIG. 16;

FIG. 18 is a right side view of FIG. 16;

FIG. 19 is a left side view of FIG. 16;

FIG. 20 is a front view of FIG. 16;

FIG. 21 is a rear view of FIG. 16;

FIG. 22 is a top plan view of the insert shown in FIG. 8;

FIG. 23 is a bottom plan view of FIG. 22;

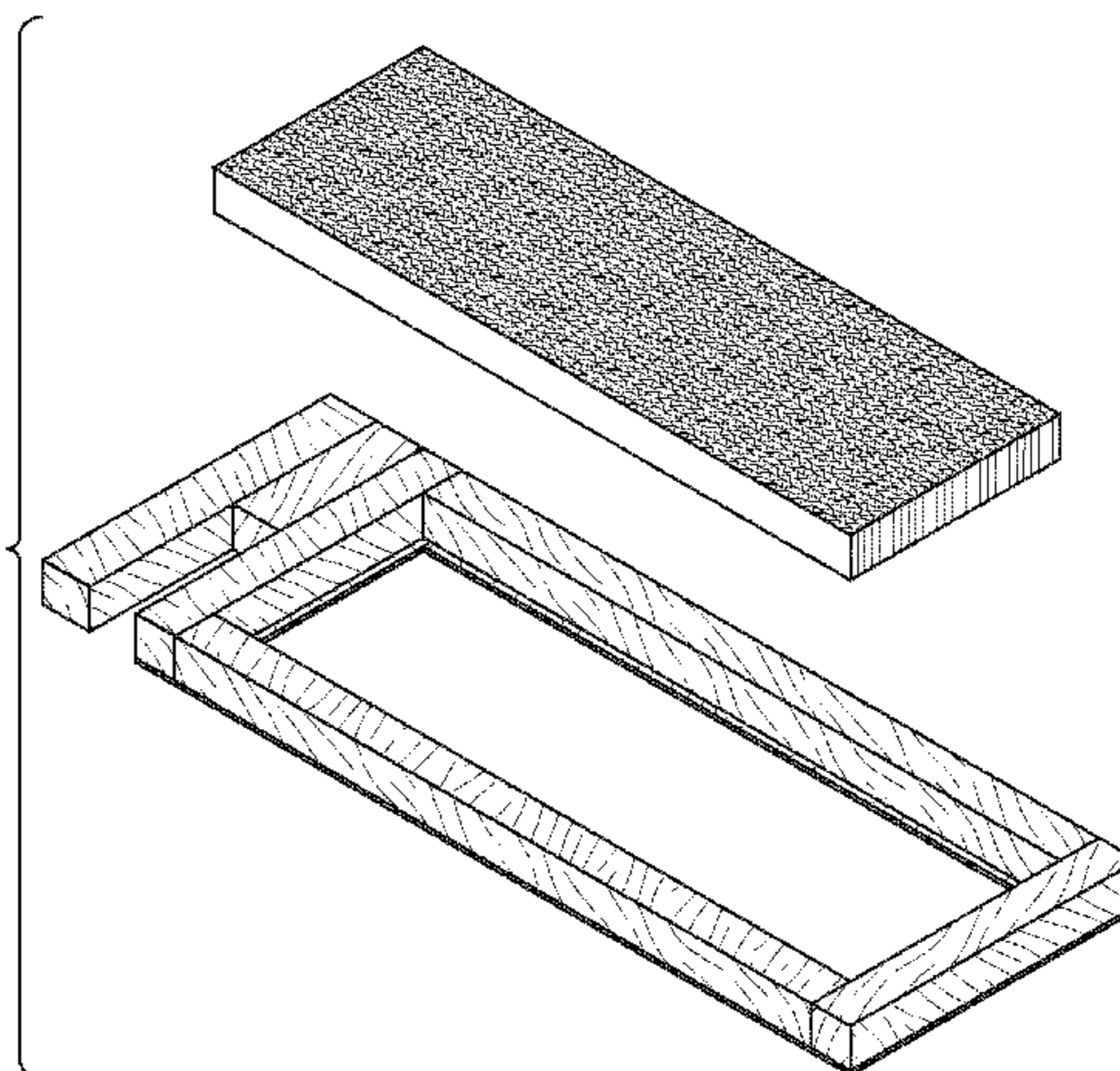
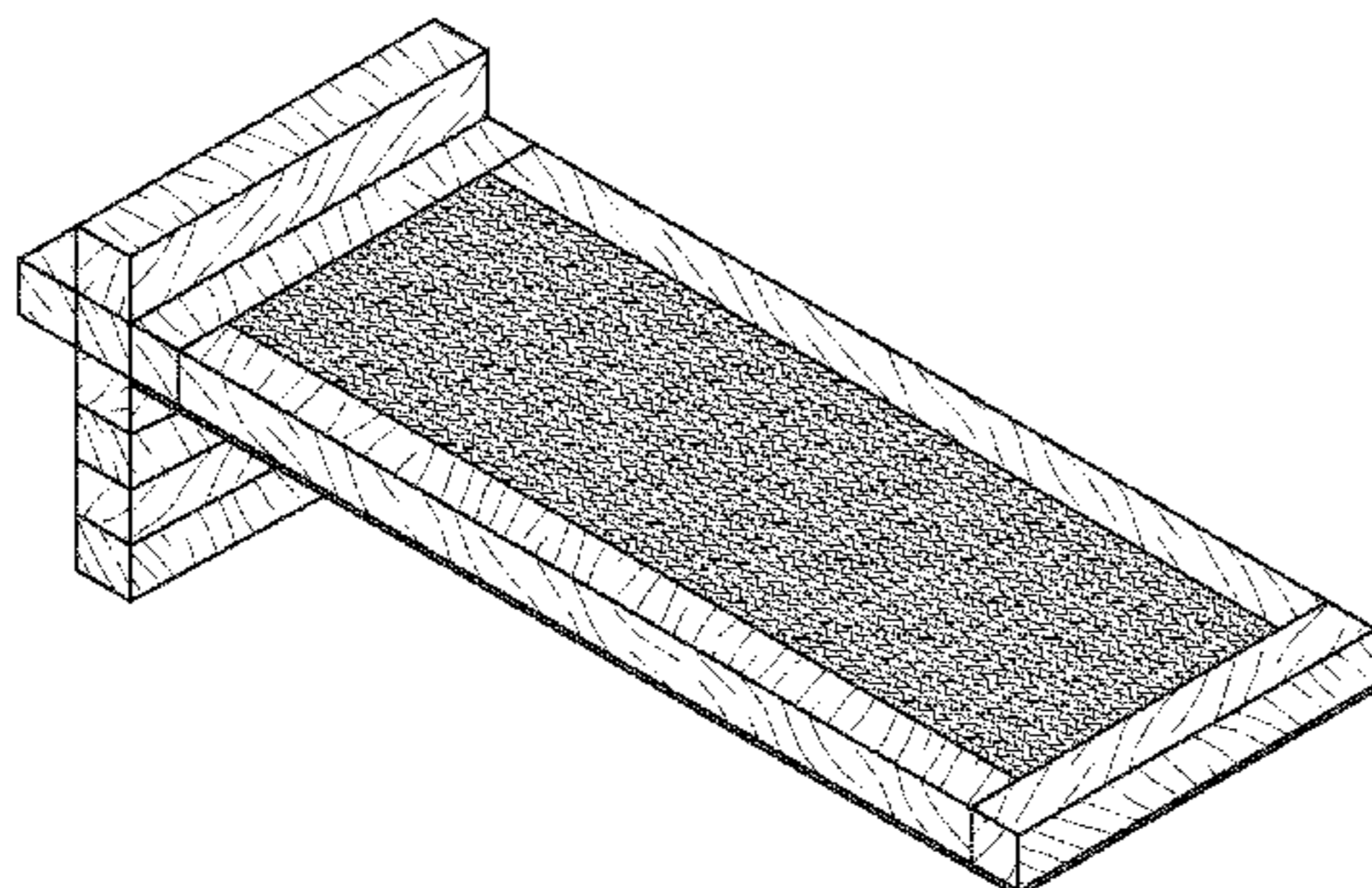
FIG. 24 is a right side view of FIG. 22;

FIG. 25 is a left side view of FIG. 22;

FIG. 26 is a front view of FIG. 22; and,

FIG. 27 is a rear view of FIG. 22.

1 Claim, 6 Drawing Sheets



US D696,821 S

Page 2

(56)

References Cited

U.S. PATENT DOCUMENTS

D557,464 S 12/2007 Novak
7,444,959 B2 11/2008 Hensley

D585,607 S 1/2009 Rosenblatt
D604,018 S 11/2009 Simpson et al.
D648,078 S * 11/2011 Haaf D30/160
D653,820 S * 2/2012 Haaf D30/160

* cited by examiner

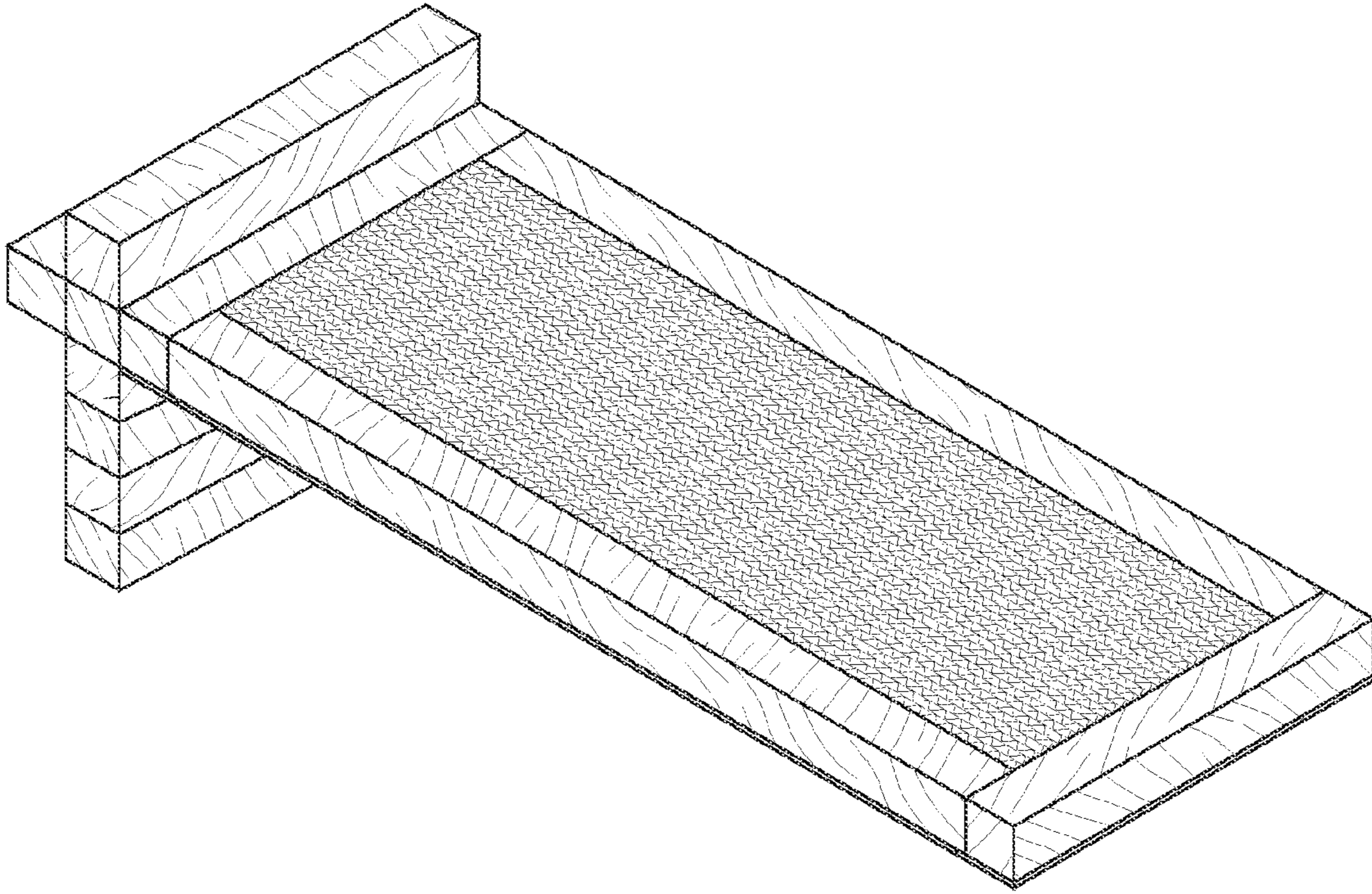


FIG. 1

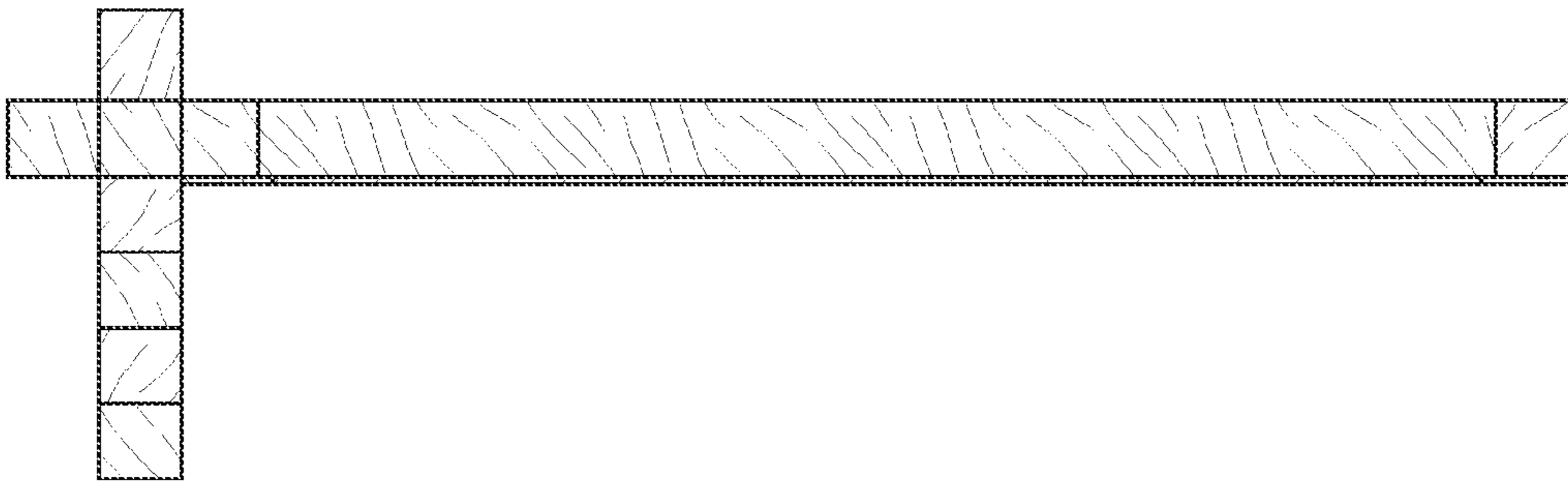


FIG. 2

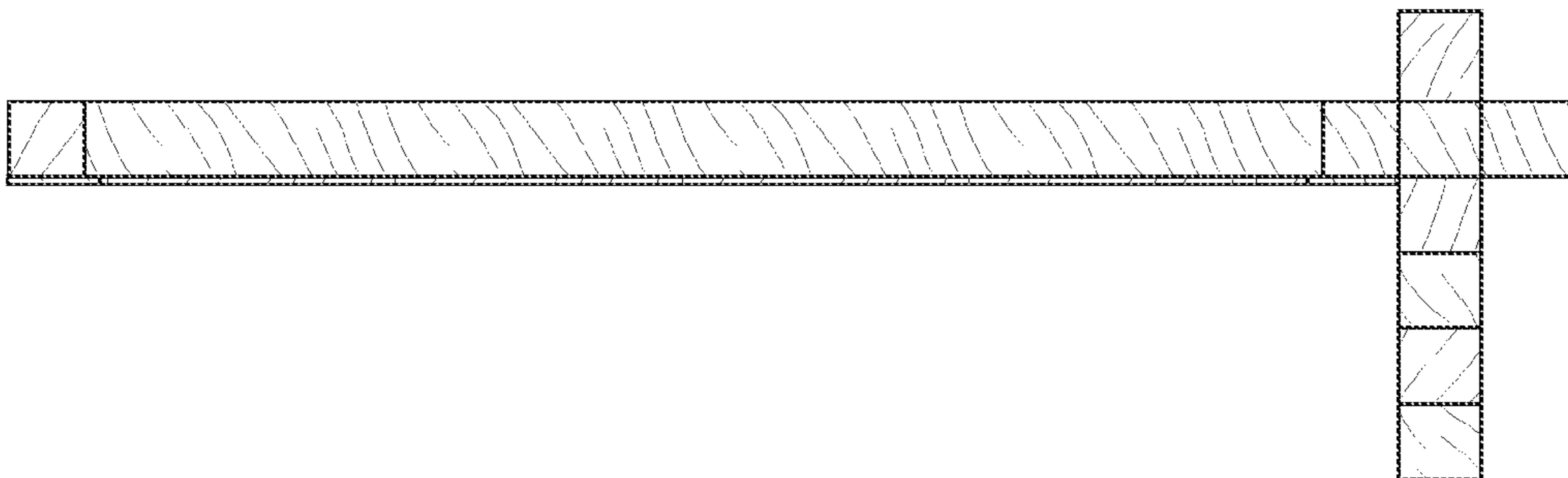


FIG. 3

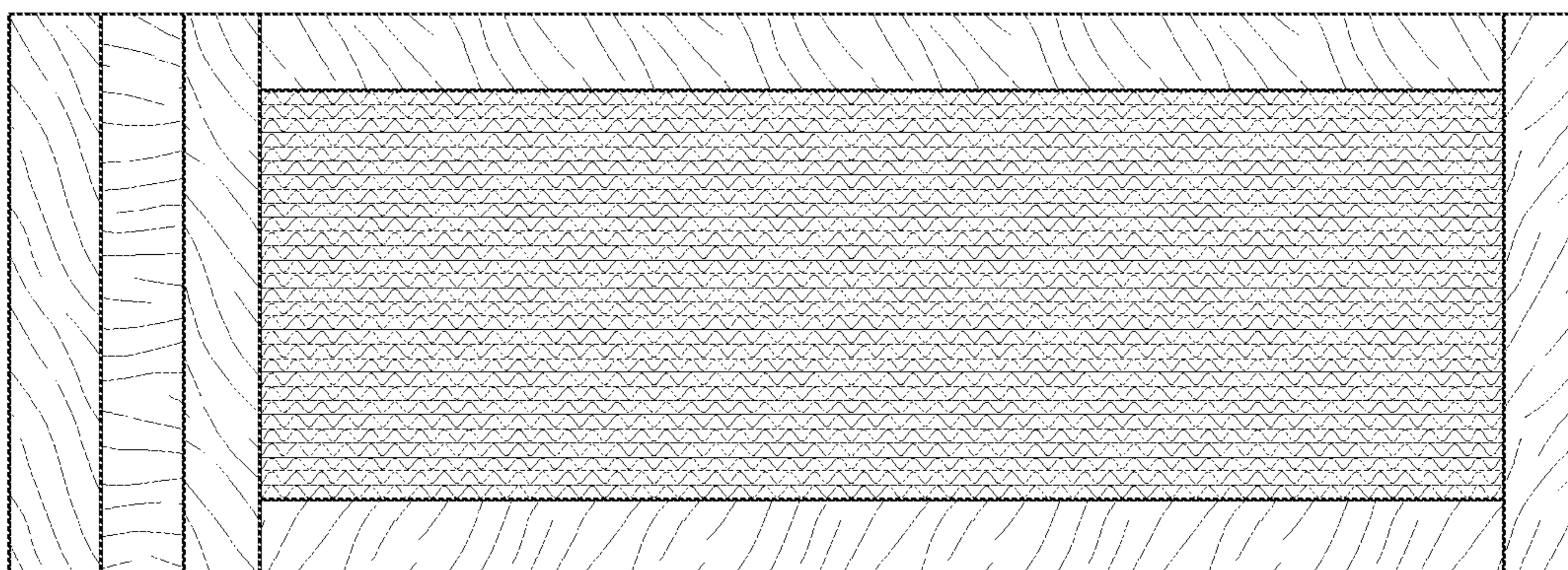


FIG. 4

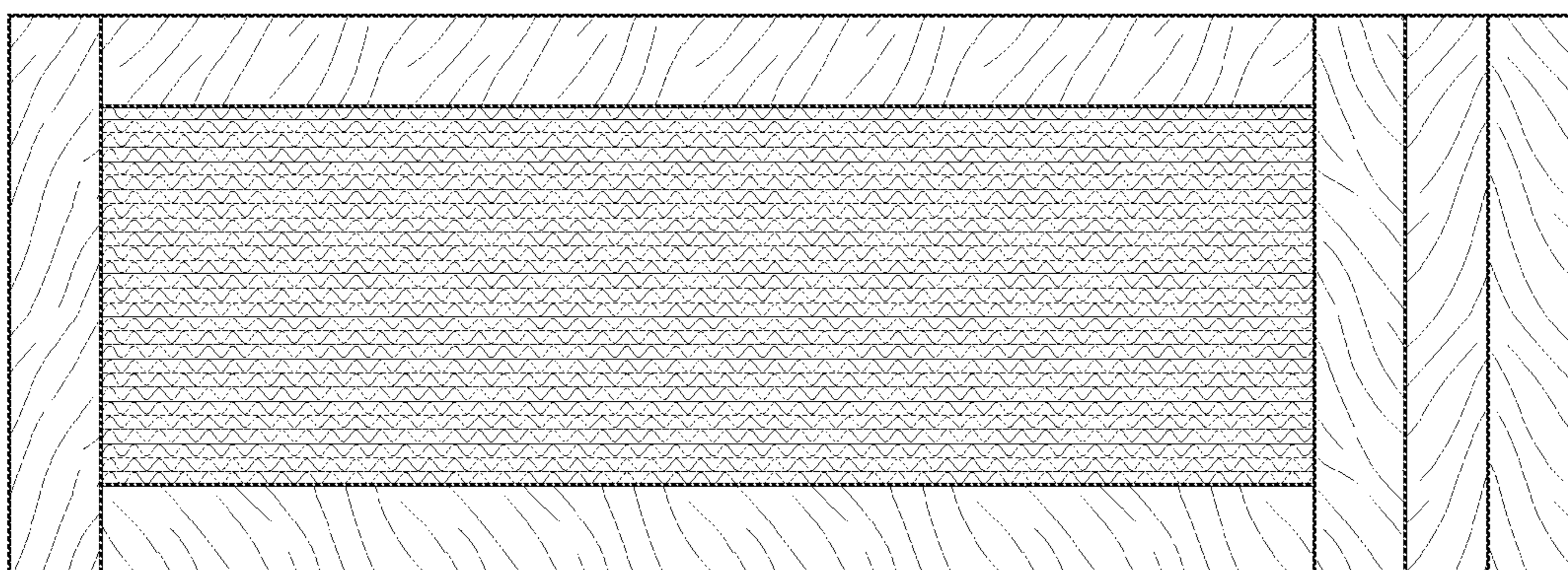


FIG. 5

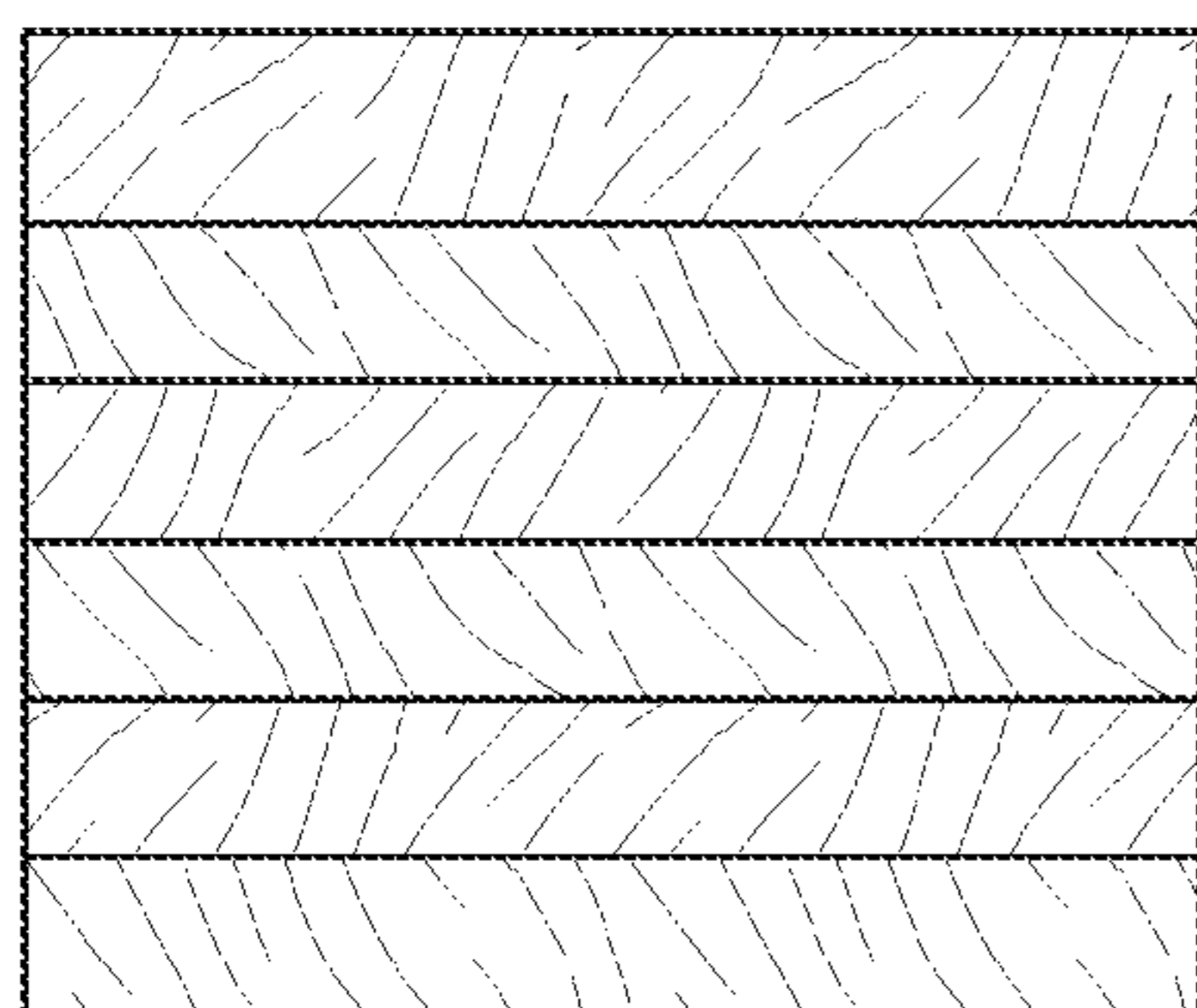


FIG. 6

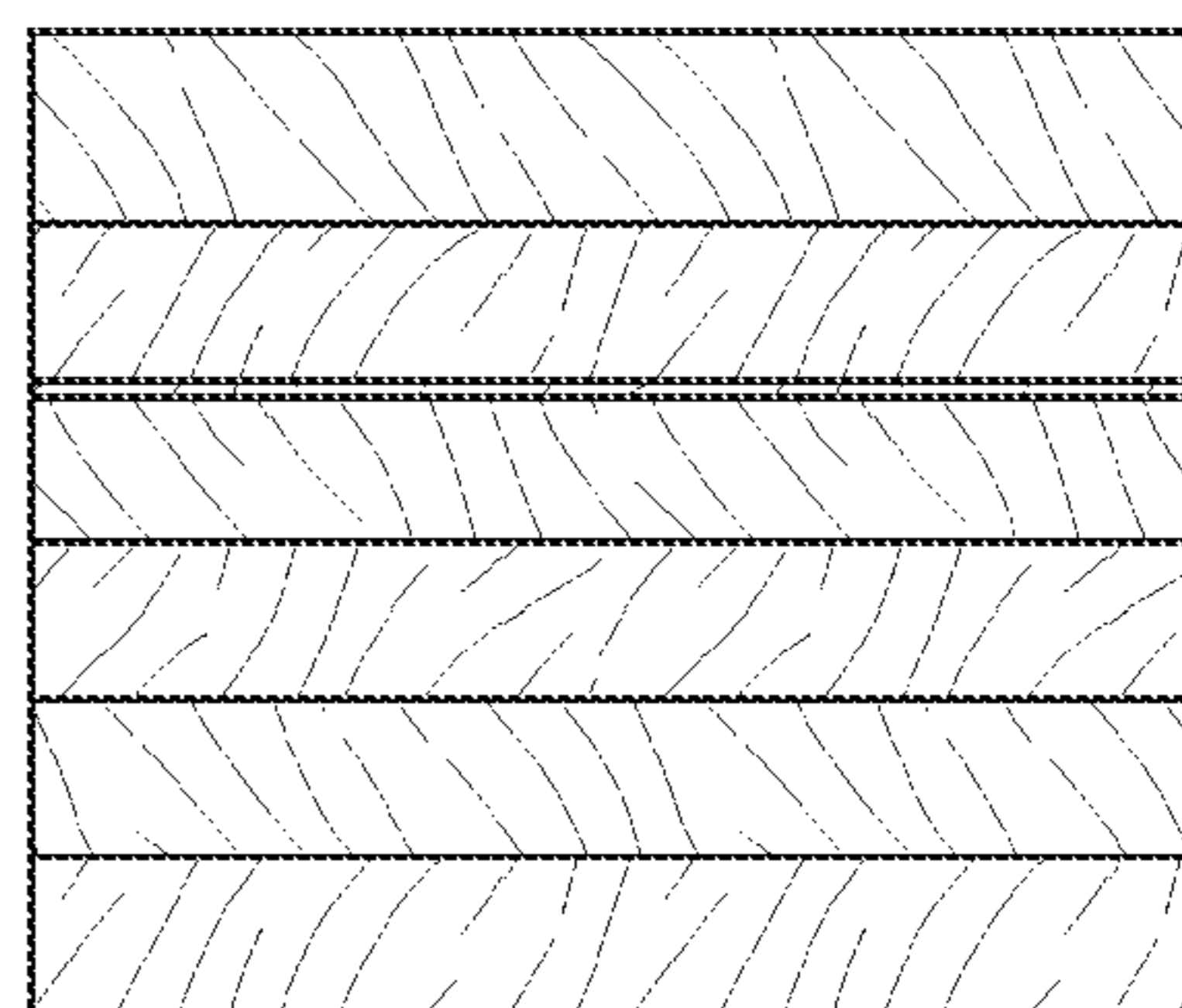


FIG. 7

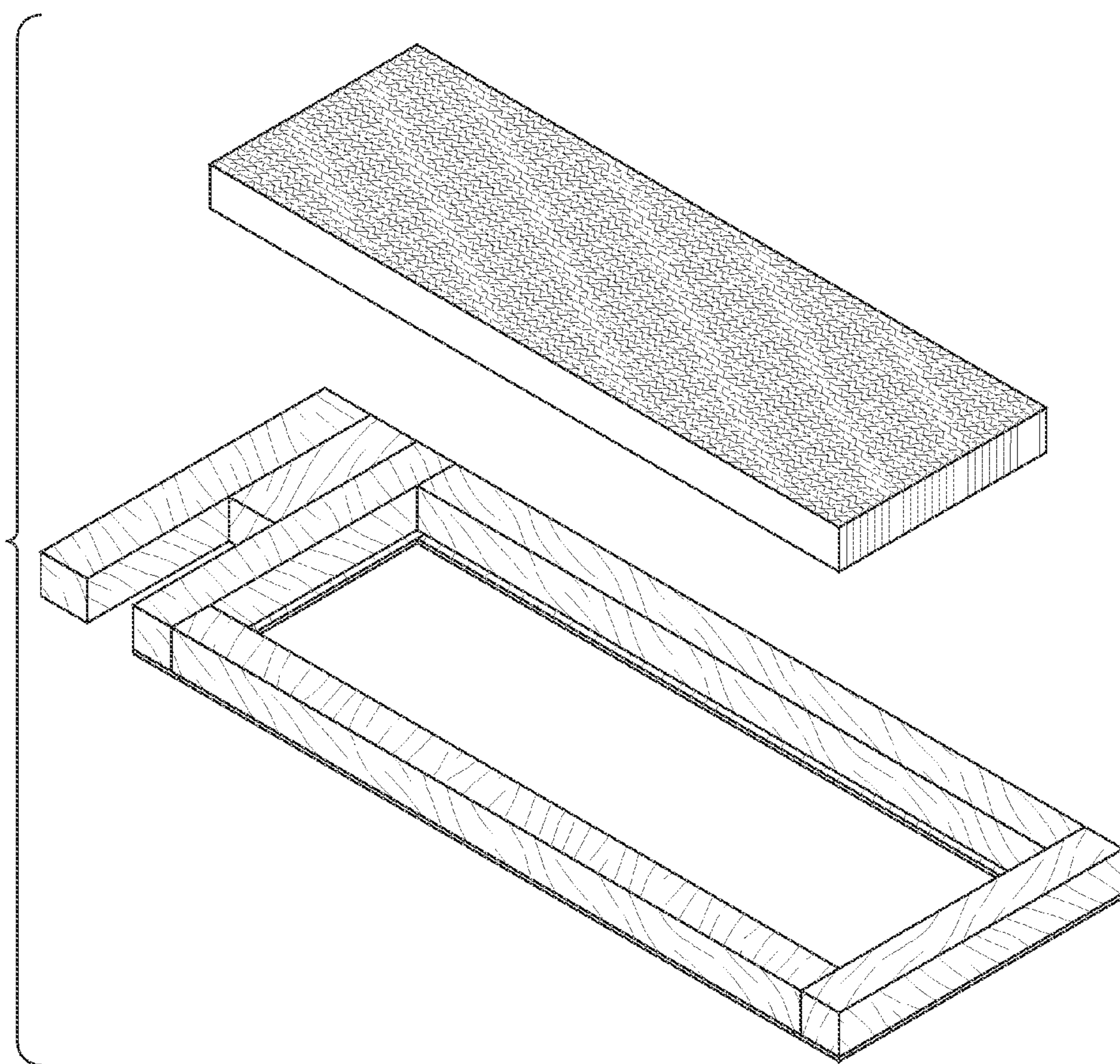


FIG. 8

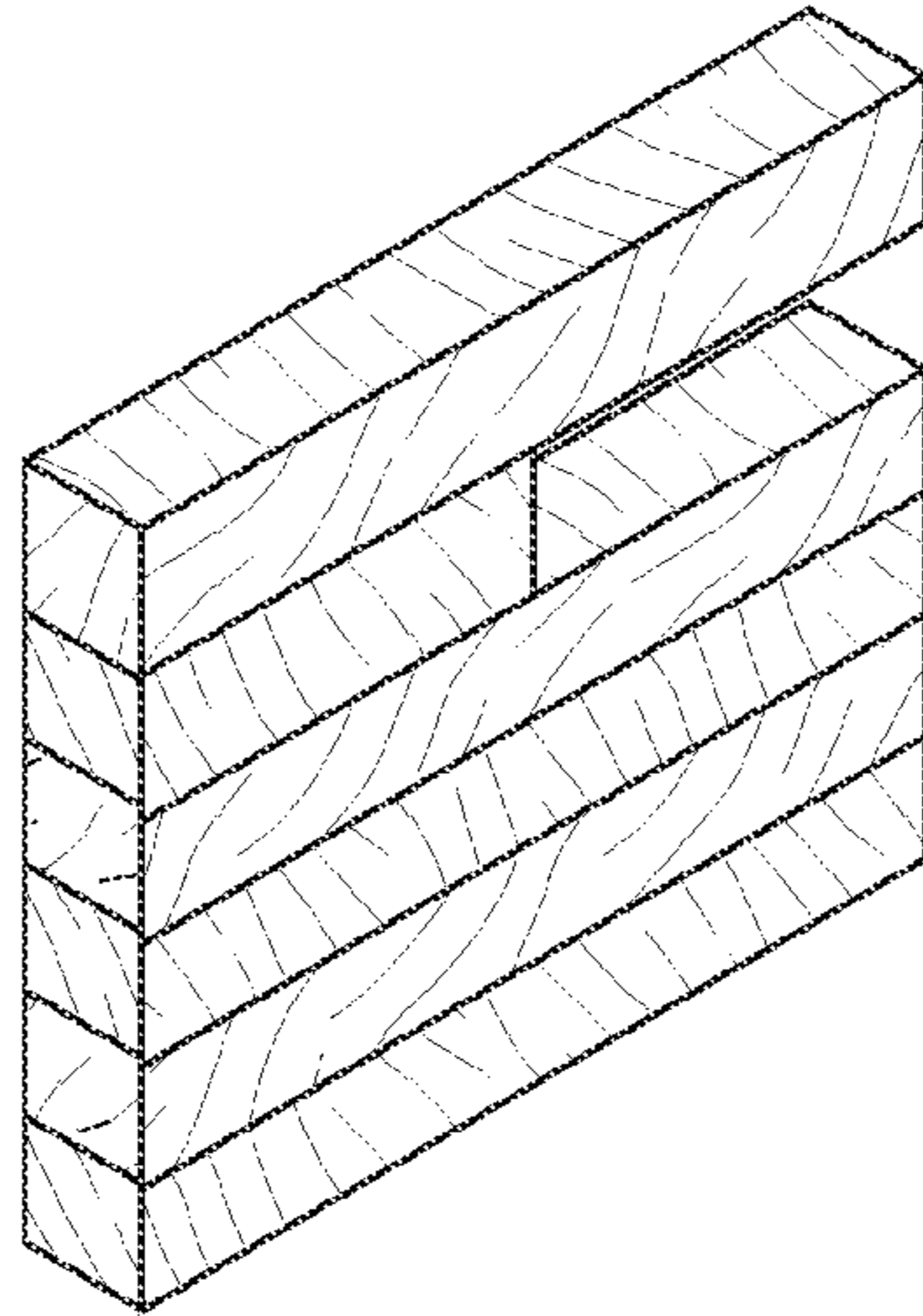


FIG. 9

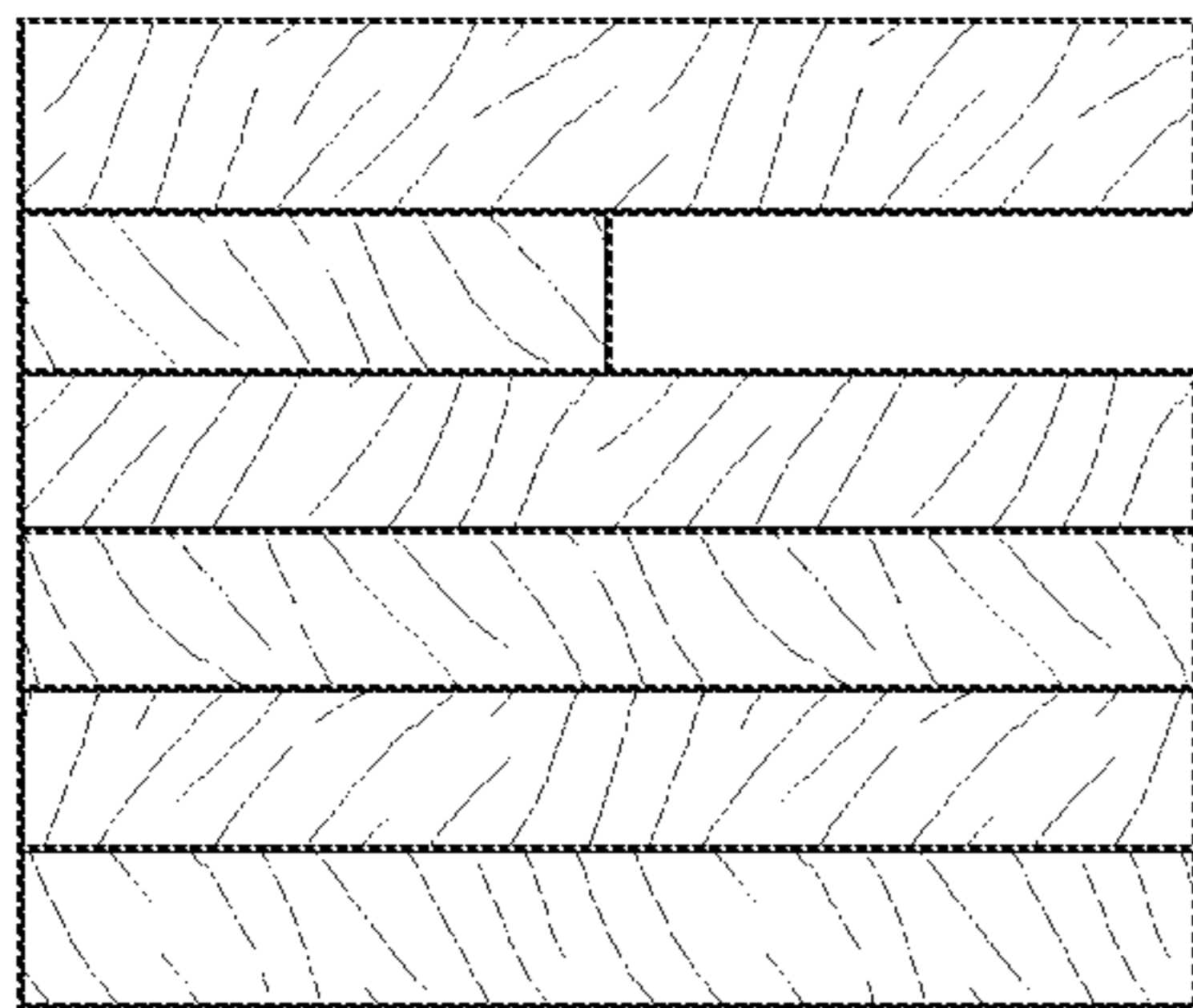


FIG. 10

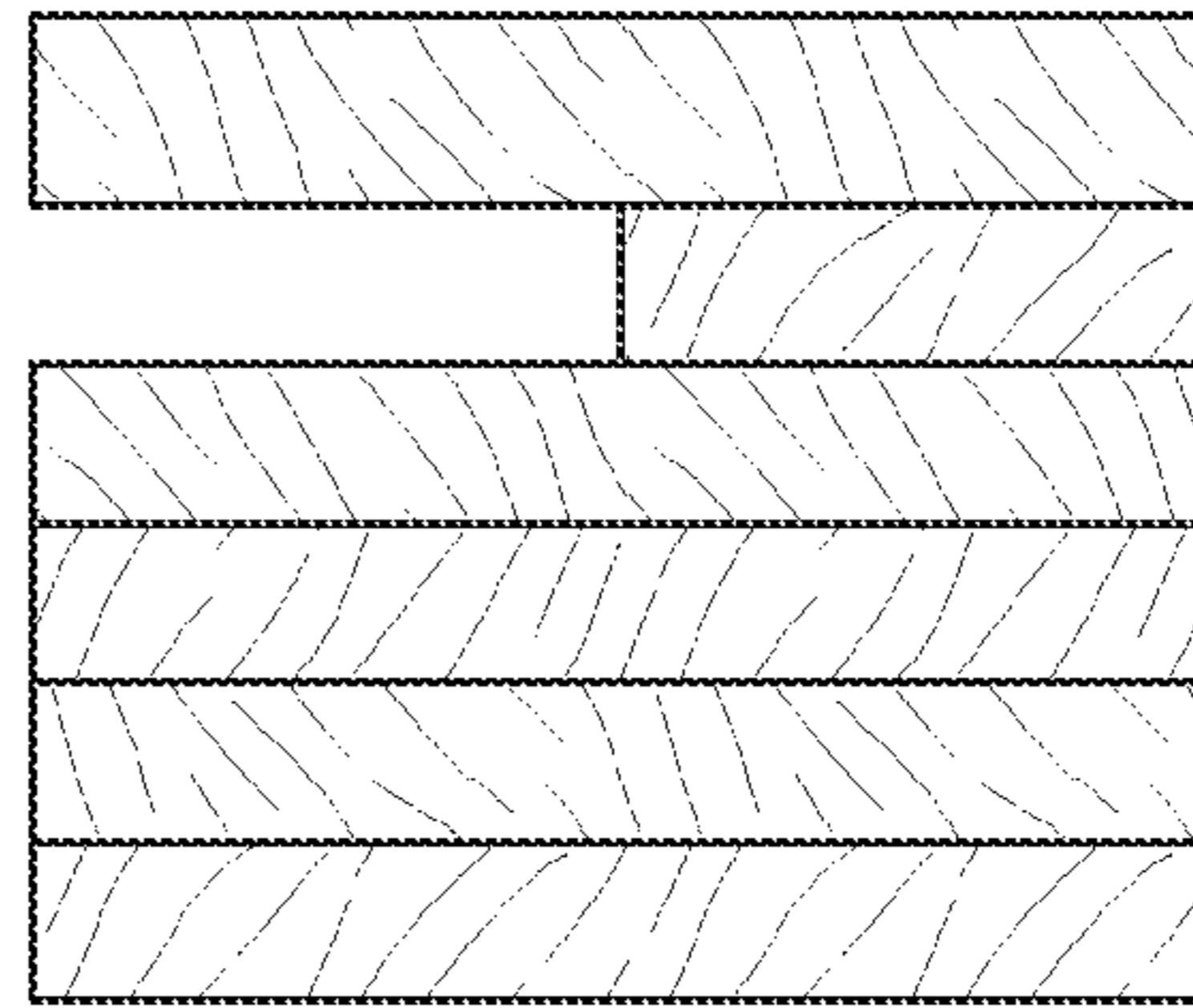


FIG. 11



FIG. 12

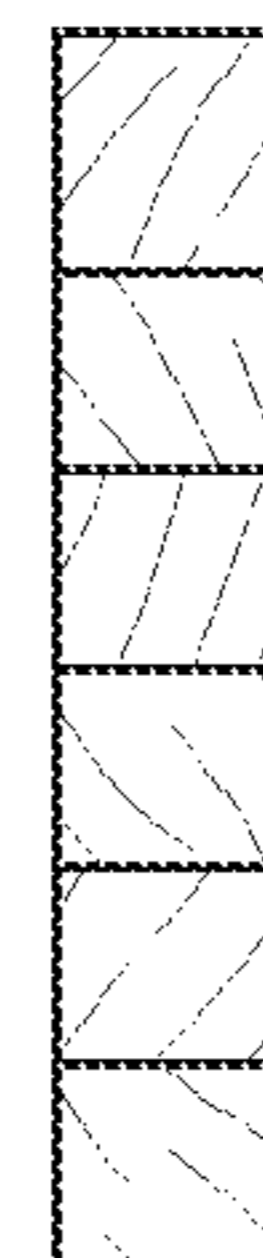


FIG. 13

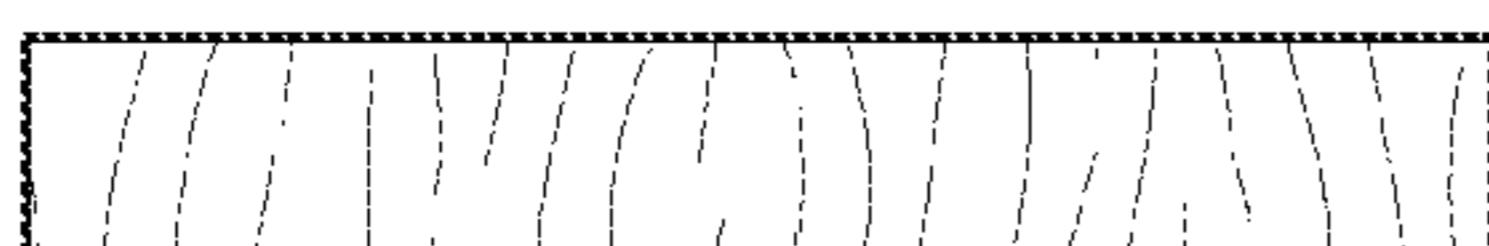


FIG. 14

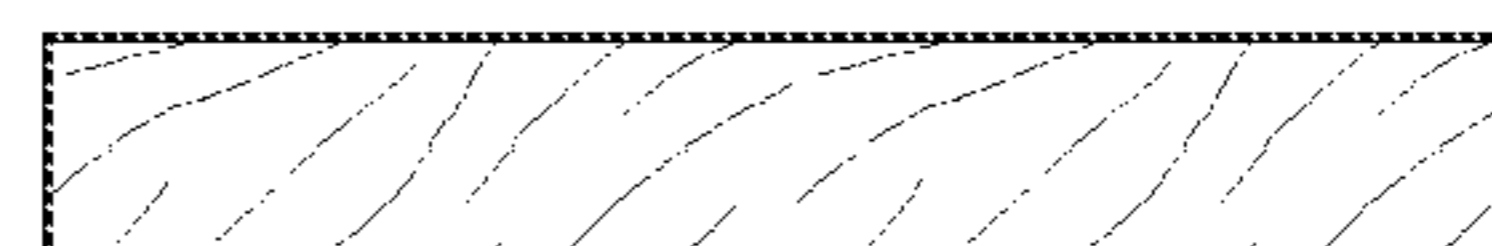


FIG. 15

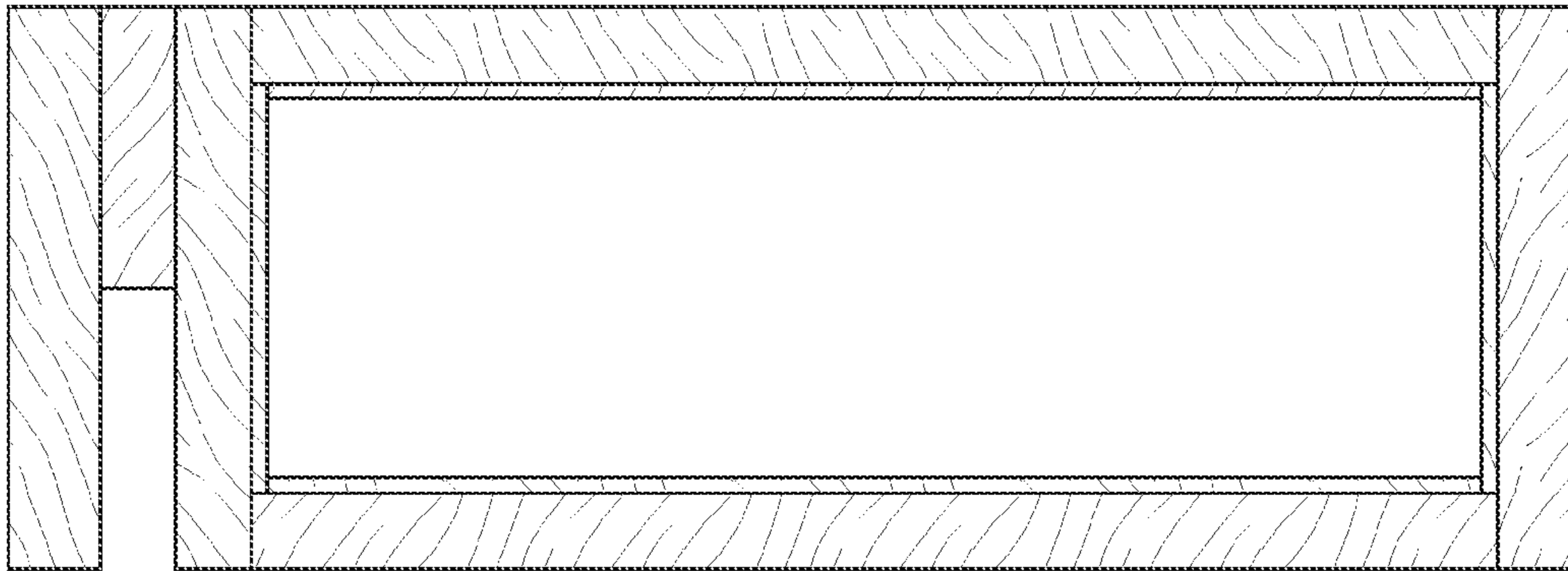


FIG. 16

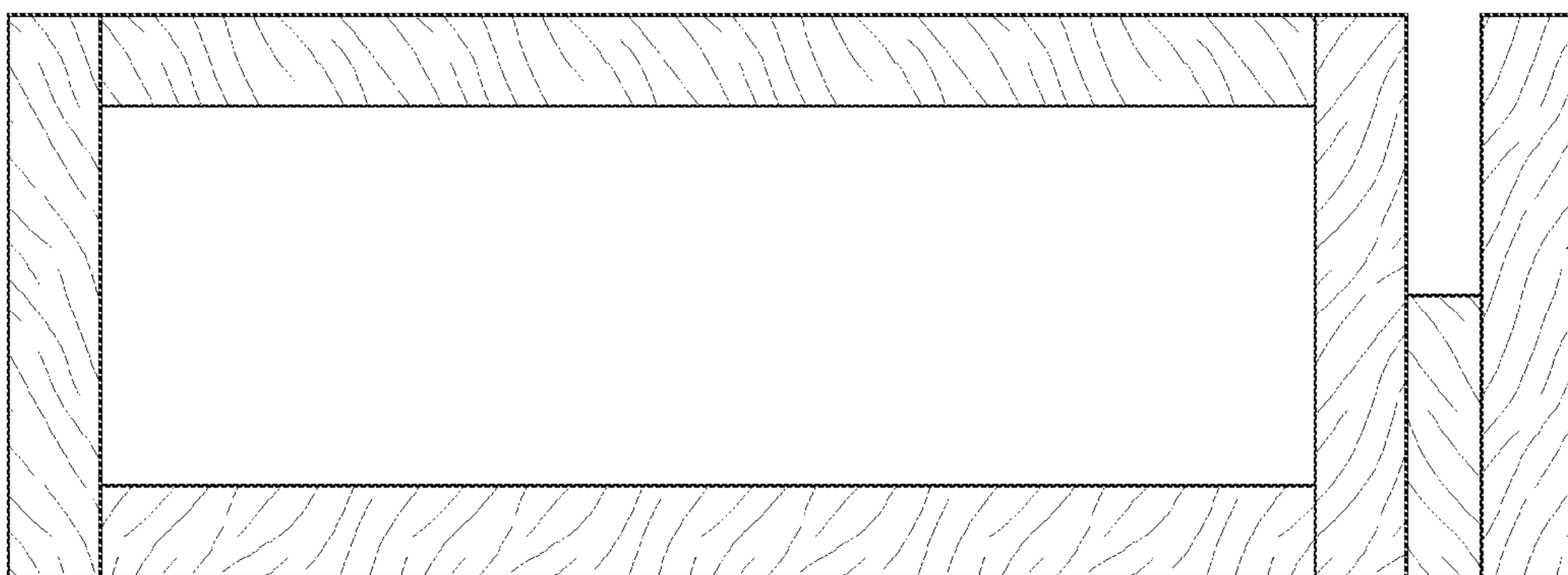


FIG. 17

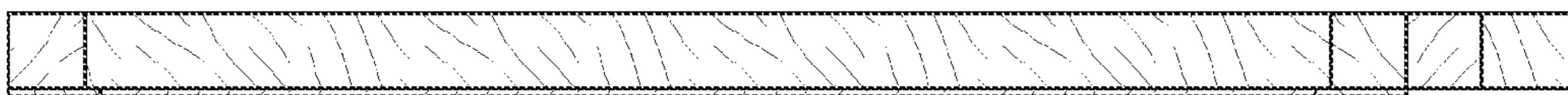


FIG. 18

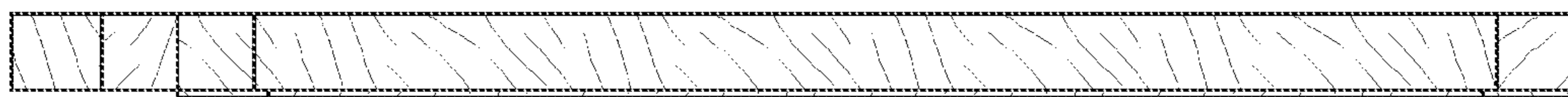


FIG. 19

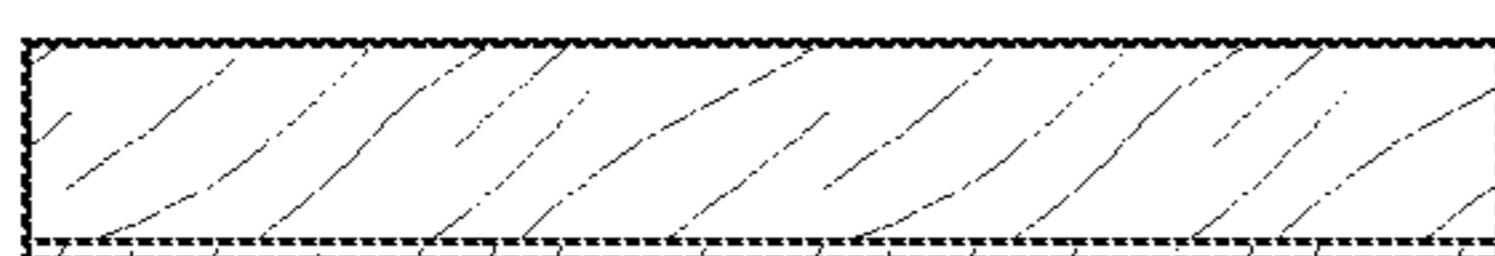


FIG. 20

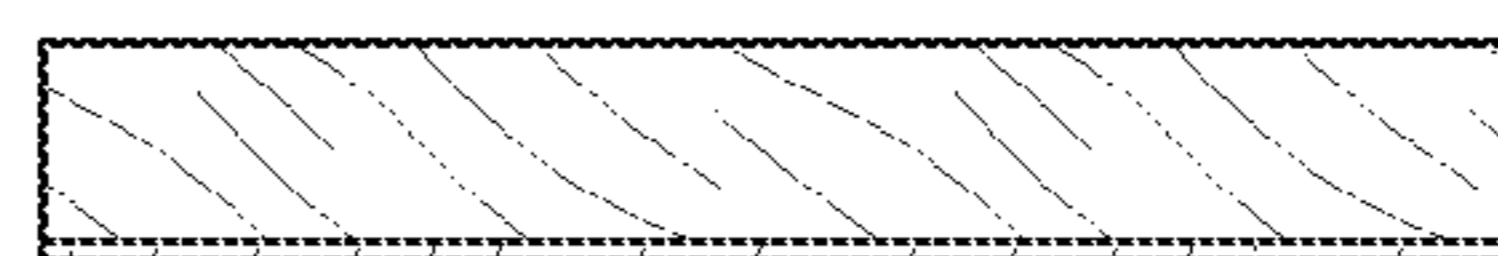


FIG. 21

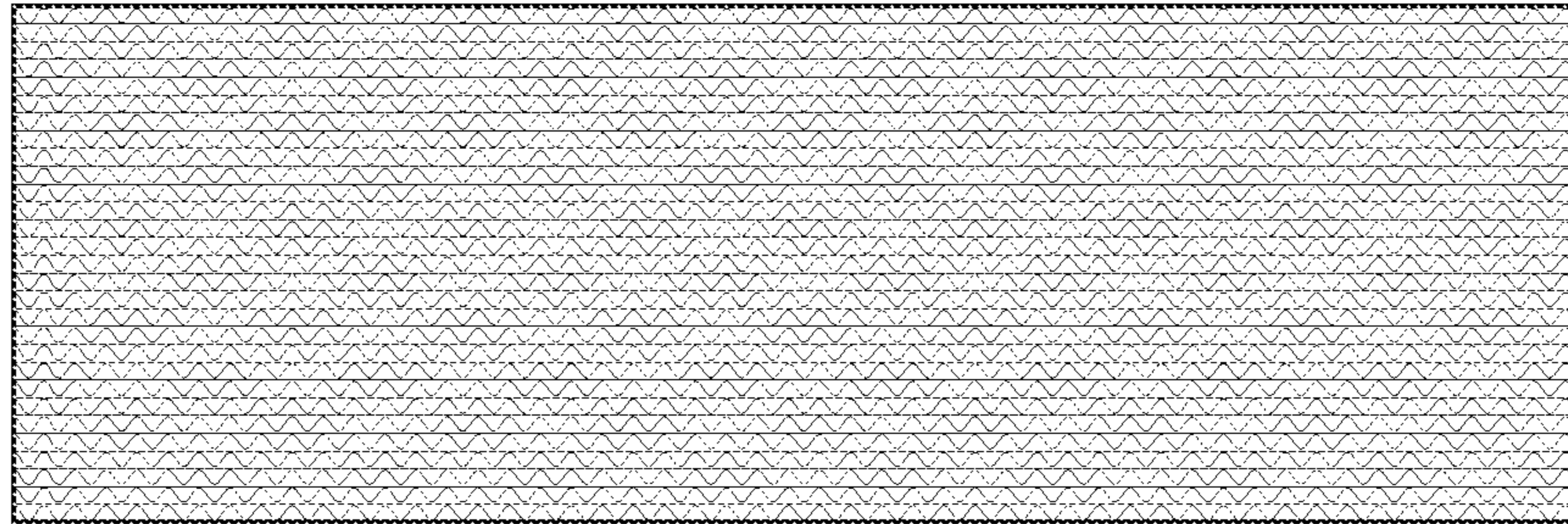


FIG. 22

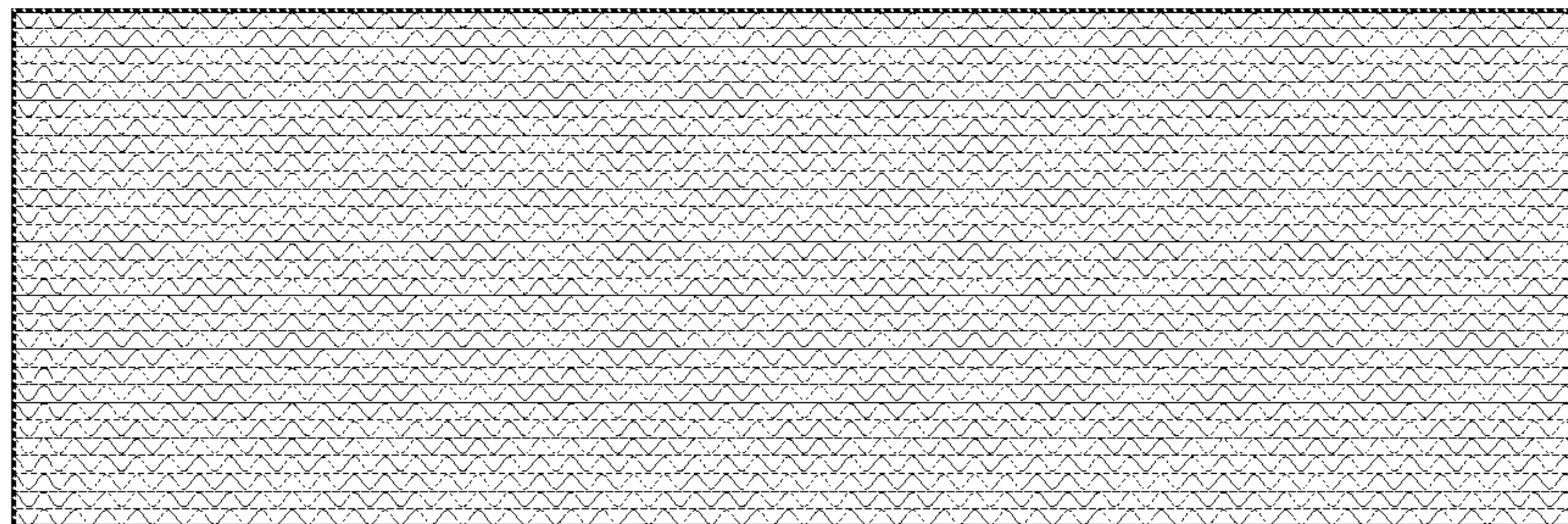


FIG. 23



FIG. 24



FIG. 25



FIG. 26

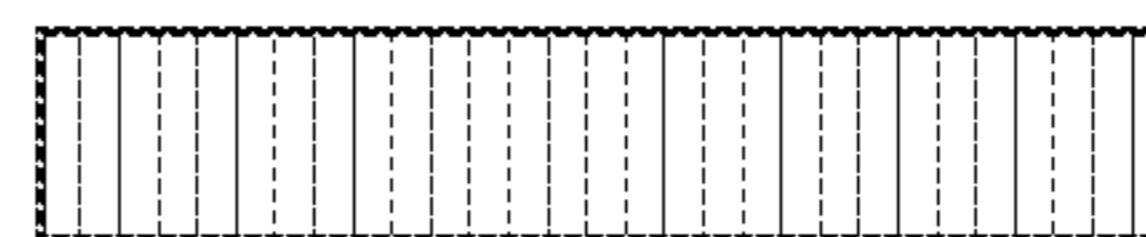


FIG. 27