



US00D696819S

(12) **United States Design Patent**
Huthmaker

(10) **Patent No.:** **US D696,819 S**

(45) **Date of Patent:** **** Dec. 31, 2013**

(54) **TOE SEPARATOR**

(75) Inventor: **Kathleen Elisabeth Rust Huthmaker**,
Alpharetta, GA (US)

(73) Assignee: **Benchmark Brands, Inc.**, Norcross, GA
(US)

(**) Term: **14 Years**

(21) Appl. No.: **29/397,719**

(22) Filed: **Jul. 20, 2011**

(51) **LOC (9) Cl.** **28-03**

(52) **U.S. Cl.**
USPC **D28/57; D24/192**

(58) **Field of Classification Search**
USPC D28/56; 602/30; 128/894; 132/73
See application file for complete search history.

2007/0299382 A1* 12/2007 Millet 602/30
2009/0025743 A1* 1/2009 Dragos 132/73
2010/0228172 A1 9/2010 Biddinger et al.
2011/0284018 A1* 11/2011 Dragos 132/73

OTHER PUBLICATIONS

<http://www.footsmart.com/product.aspx?shortsku=40053&cmvc=reccs> pp. 2 io, "FootSmart Hourglass Gel Toe Separators", 1 Page, Printed Aug. 20, 2011.

* cited by examiner

Primary Examiner — Jennifer Rivard

(74) *Attorney, Agent, or Firm* — Pearne & Gordon LLP

(57) **CLAIM**

An ornamental design for a toe separator, as shown and described.

DESCRIPTION

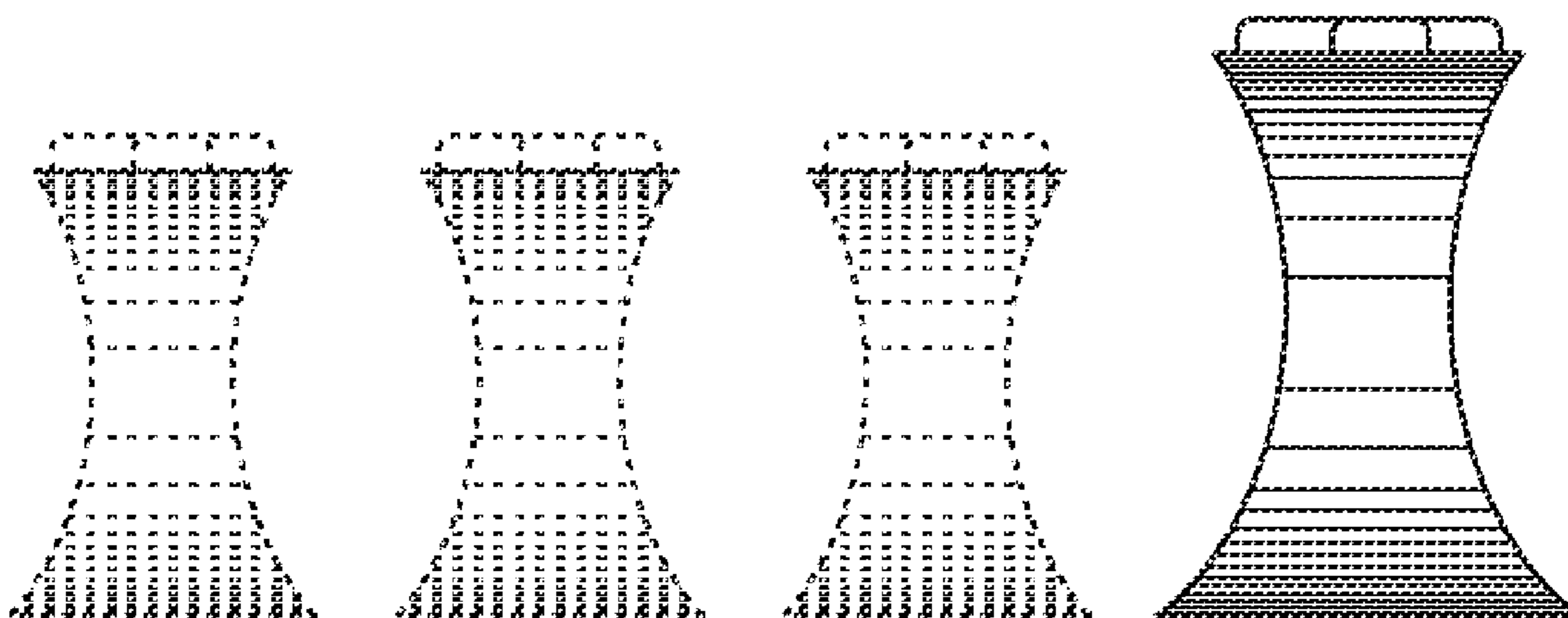
FIG. 1 is a top plan view of my new design;
FIG. 2 is a left side elevational view thereof;
FIG. 3 is a right side elevational view thereof;
FIG. 4 is a front elevational view thereof;
FIG. 5 is a rear elevational view thereof;
FIG. 6 is a bottom plan view thereof;
FIG. 7 is a right side elevational view thereof taken along line 7-7 in FIG. 3, with environmental structure shown in broken lines omitted; and,
FIG. 8 is a perspective view thereof, with environmental structure shown in broken lines omitted.
The broken lines shown the drawings illustrate the environment of the toe separator and form no part of the claimed design.

(56) **References Cited**

U.S. PATENT DOCUMENTS

1,103,465	A	7/1914	Jajies	
1,205,962	A	11/1916	Akeowsmith	
1,930,413	A	10/1933	Bruel	
2,503,656	A	4/1950	Cone	
2,506,308	A	5/1950	Maynier	
2,522,216	A	9/1950	Ebberts	
2,595,640	A	5/1952	Christopoulos	
2,603,212	A	7/1952	Zeve	
2,663,296	A	12/1953	Morgan	
2,797,688	A	7/1957	Crawford	
3,490,453	A	1/1970	Ogden	
5,076,263	A	12/1991	Funatogawa	
D481,828	S *	11/2003	Goldberg et al.	D28/56
7,335,178	B2	2/2008	Berger	
7,922,681	B2	4/2011	Berger et al.	
2006/0243291	A1	11/2006	Daley	

1 Claim, 1 Drawing Sheet



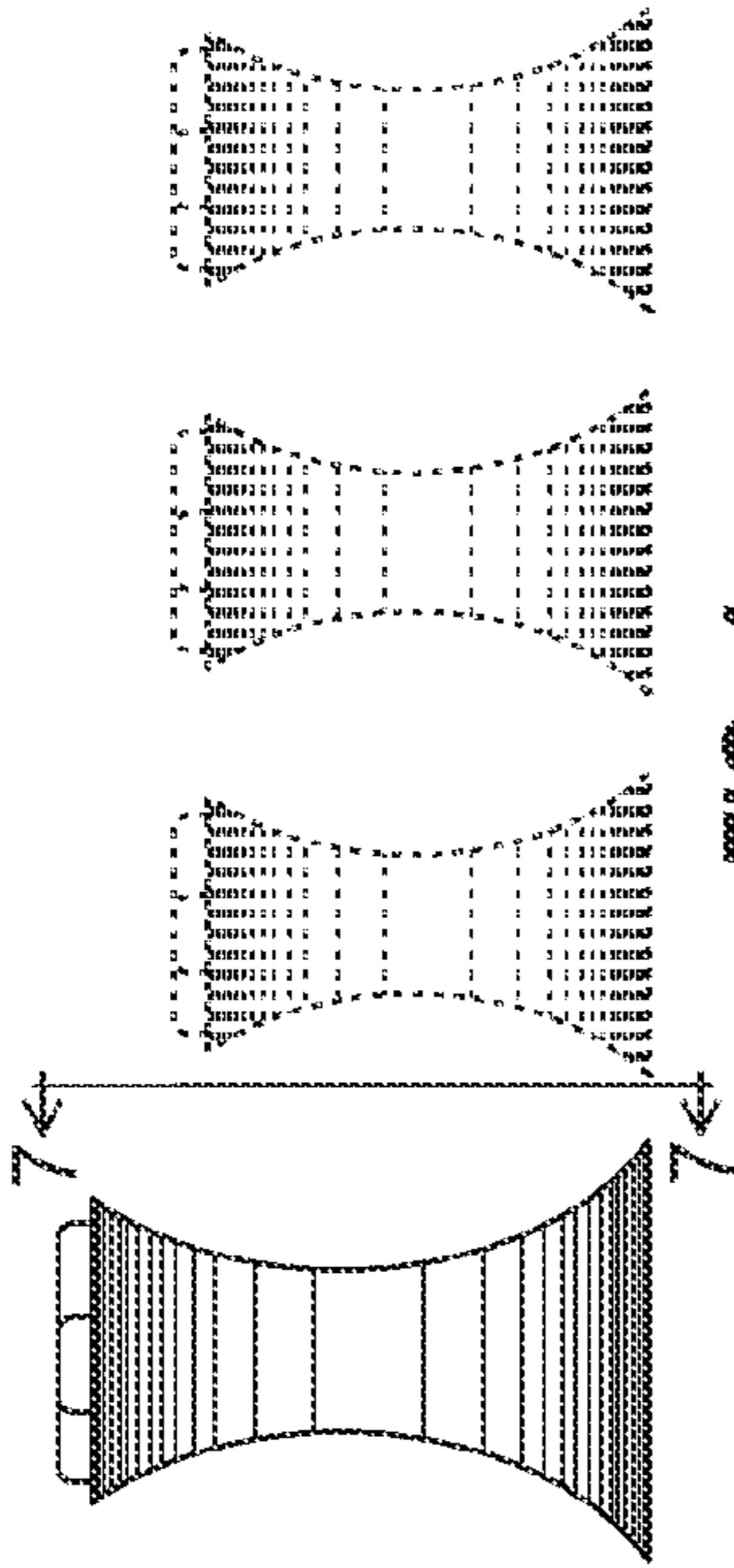


FIG. 1

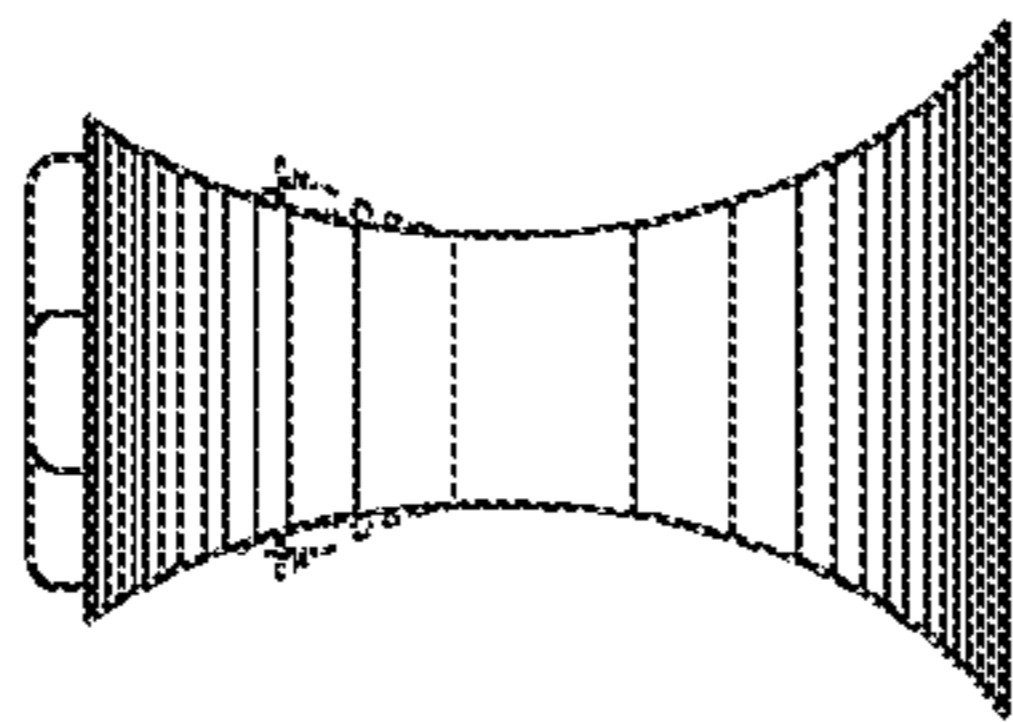


FIG. 2

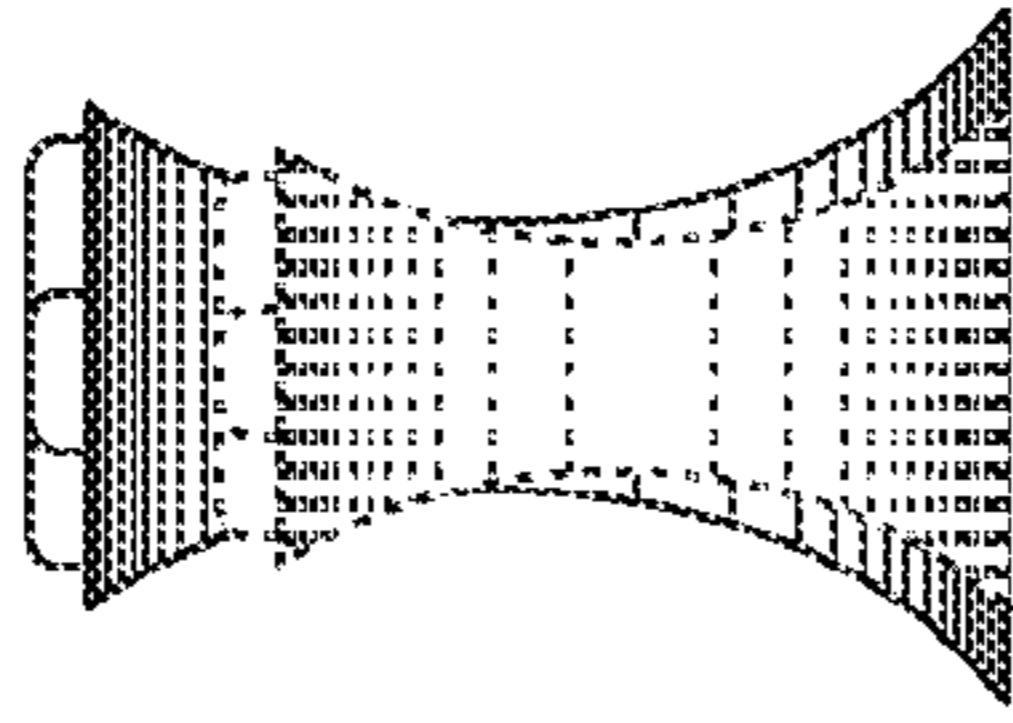


FIG. 3

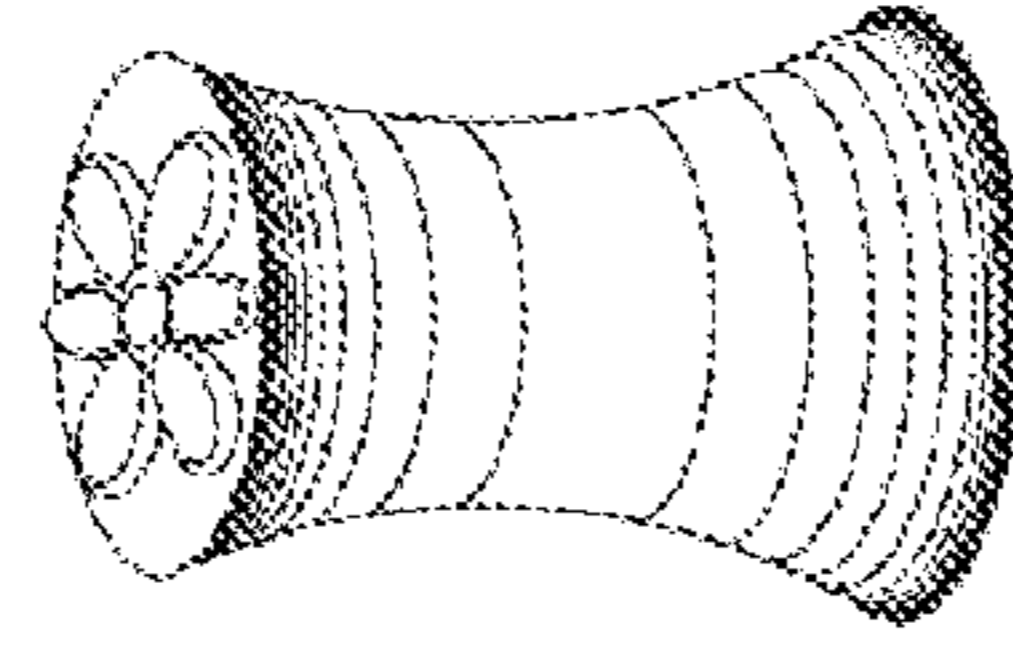


FIG. 4

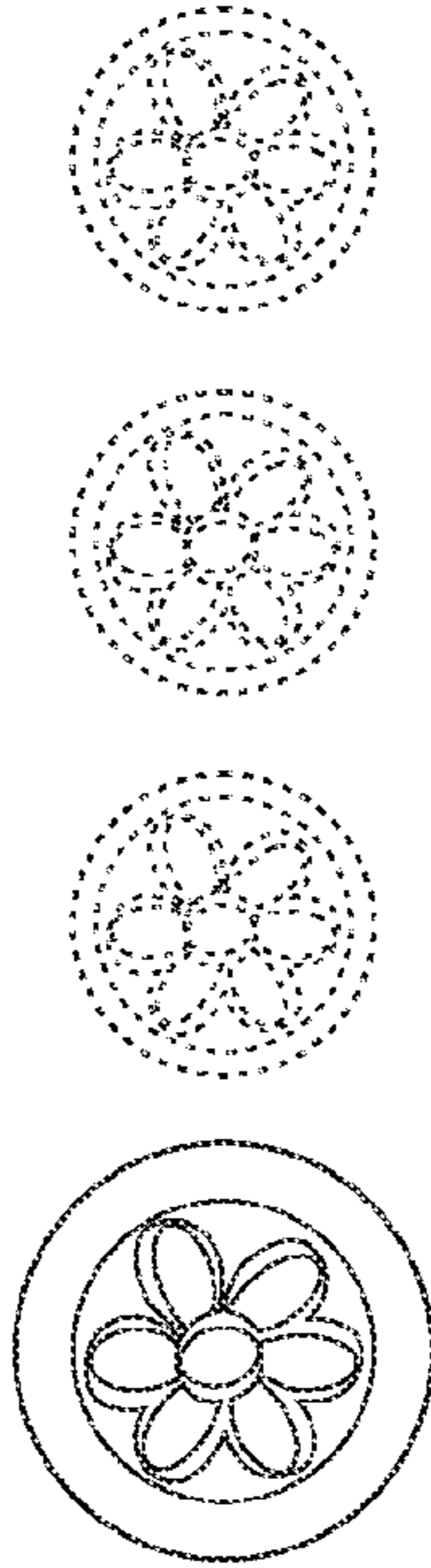


FIG. 5

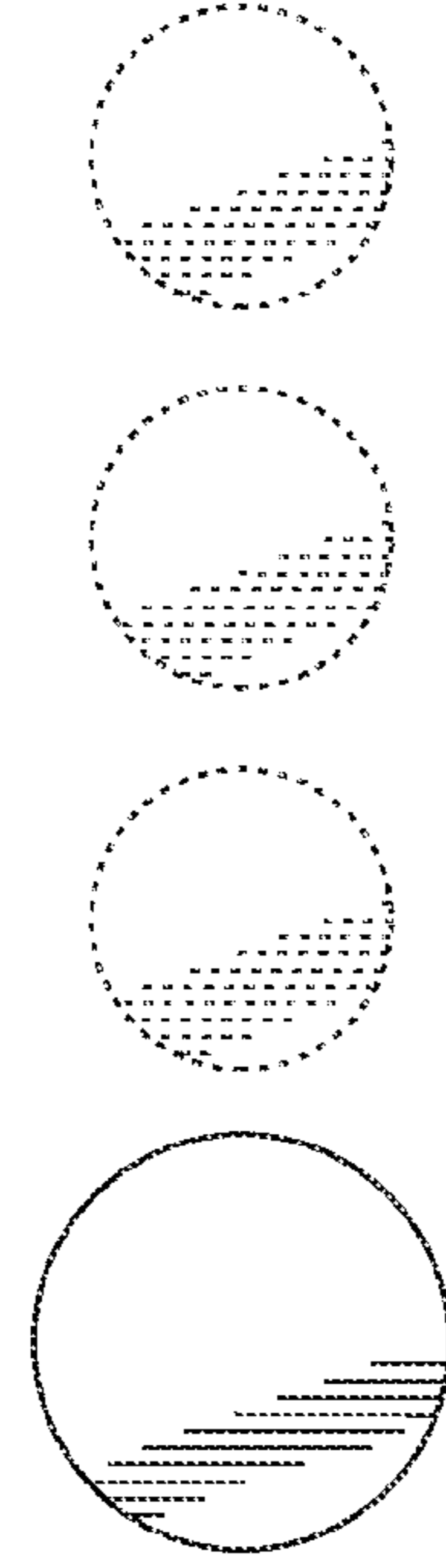


FIG. 6

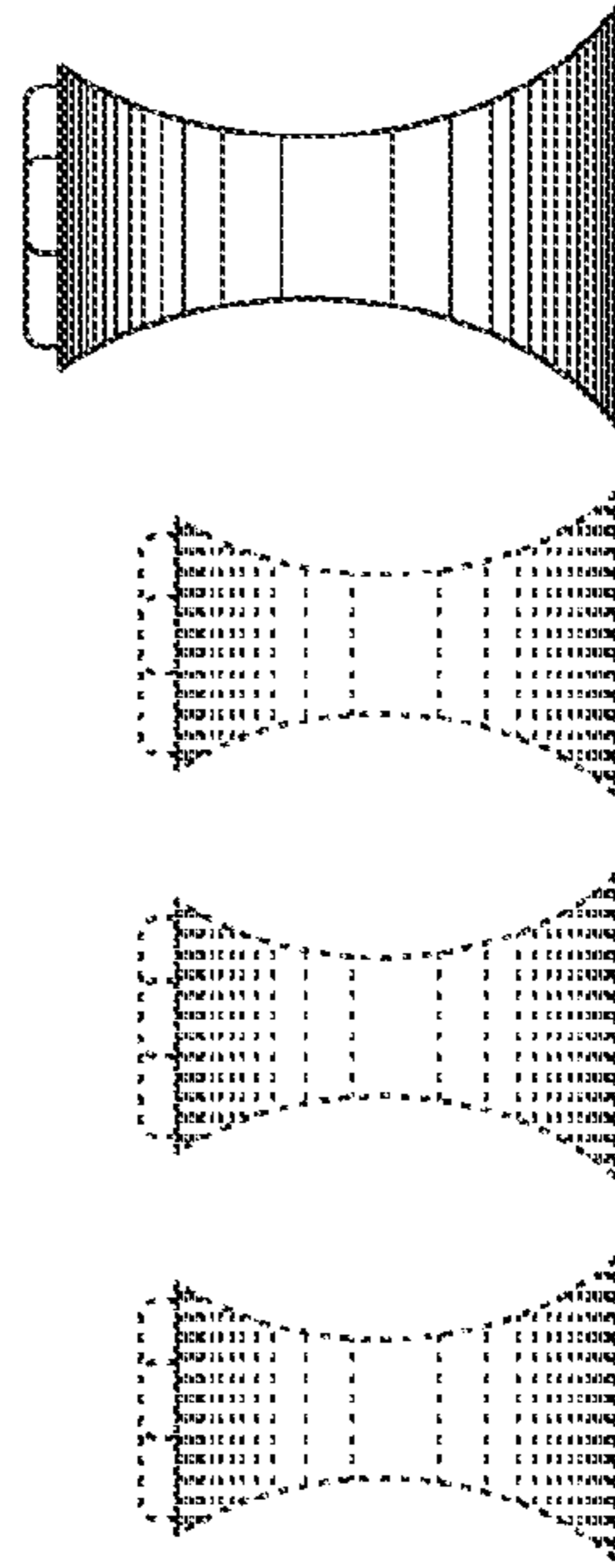


FIG. 7

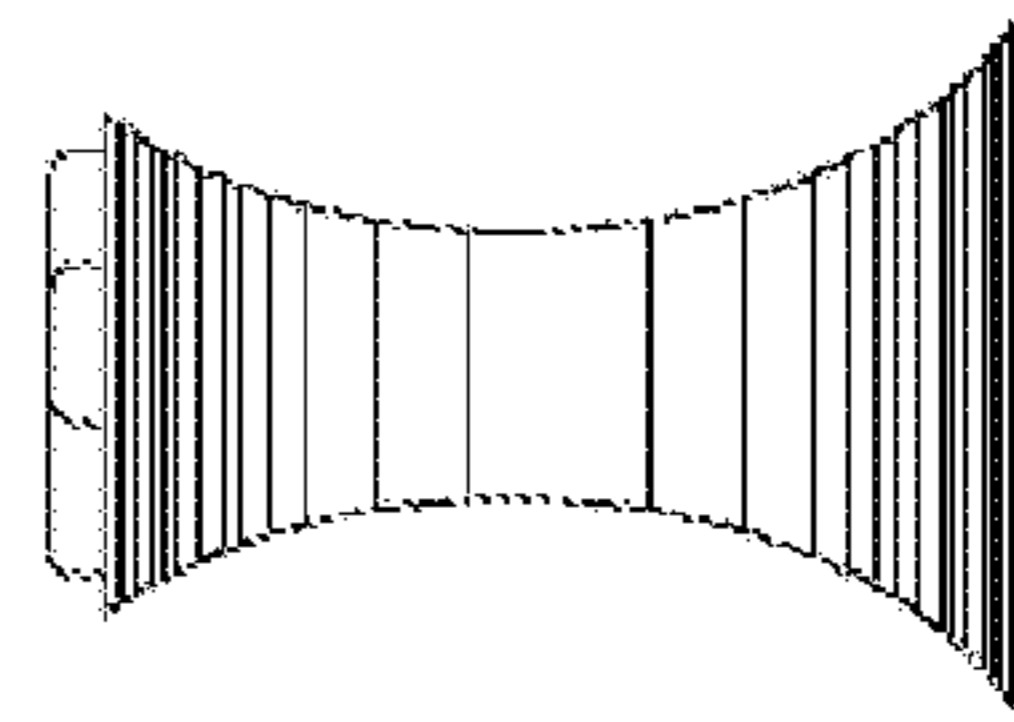


FIG. 8

UNITED STATES PATENT AND TRADEMARK OFFICE
CERTIFICATE OF CORRECTION

PATENT NO. : D696,819 S
APPLICATION NO. : 29/397719
DATED : December 31, 2013
INVENTOR(S) : Kathleen Elisabeth Rust Huthmaker

Page 1 of 1

It is certified that error appears in the above-identified patent and that said Letters Patent is hereby corrected as shown below:

On the Title Page, line 12 under DESCRIPTION, under FIG. 8, please replace “lines shown the drawings” with - lines shown in the drawings -

Signed and Sealed this
Fifteenth Day of April, 2014



Michelle K. Lee
Deputy Director of the United States Patent and Trademark Office