



US00D696814S

(12) **United States Design Patent**
Matus, Jr.

(10) **Patent No.:** **US D696,814 S**

(45) **Date of Patent:** **** Dec. 31, 2013**

(54) **EXTRUDED HOUSING FOR LIGHT
EMITTING DIODE LIGHTING SYSTEM**

(71) Applicant: **Jose Orlando Matus, Jr.**, Gainesville,
GA (US)

(72) Inventor: **Jose Orlando Matus, Jr.**, Gainesville,
GA (US)

(**) Term: **14 Years**

(21) Appl. No.: **29/438,053**

(22) Filed: **Nov. 26, 2012**

(51) **LOC (9) Cl.** **26-99**

(52) **U.S. Cl.**
USPC **D26/138**

(58) **Field of Classification Search**
USPC D26/25, 26, 28, 31, 35, 36, 37, 41, 42,
D26/50, 51, 52, 64, 66, 67, 73, 75, 78, 85,
D26/88, 89, 90, 103-106, 109, 110, 119,
D26/123, 125, 129, 131, 135, 136, 138, 140,
D26/143, 144; D13/179, 180; 362/92, 130,
362/132, 133, 183, 184, 190, 205, 216,
362/217.05, 218, 220, 223, 224, 241, 247,
362/249.03, 249.05-249.1, 249.11, 258,
362/260, 285, 287, 294.02, 297, 327, 345,
362/354, 373-379, 410, 418, 419, 510, 516,
362/558, 561; 248/339, 557, 558; D8/354,
D8/373, 377, 382; D25/60, 119, 124, 125;
52/455; 349/59-62, 64-67, 113;
438/15; 345/102; D12/406; D10/111,
D10/114.1; D11/121, 125, 144, 145;
428/11; 257/96, 97, 98, 99

See application file for complete search history.

(56) **References Cited**

U.S. PATENT DOCUMENTS

D616,566 S *	5/2010	Desrosiers et al.	D25/60
D616,567 S *	5/2010	Desrosiers et al.	D25/60
D616,568 S *	5/2010	Desrosiers et al.	D25/60
D621,091 S *	8/2010	Klu	D26/138
D621,542 S *	8/2010	Klus	D26/138
D623,342 S *	9/2010	Klu	D26/138
D649,687 S *	11/2011	Trzesniowski	D26/138
D652,568 S *	1/2012	Trzesniowski	D26/138
D663,068 S *	7/2012	Hochman	D26/138

* cited by examiner

Primary Examiner — Zenia Bennett

(74) *Attorney, Agent, or Firm* — Smith Risley Tempel
Santos LLC; Daniel J. Santos; Matthew T. Hoots

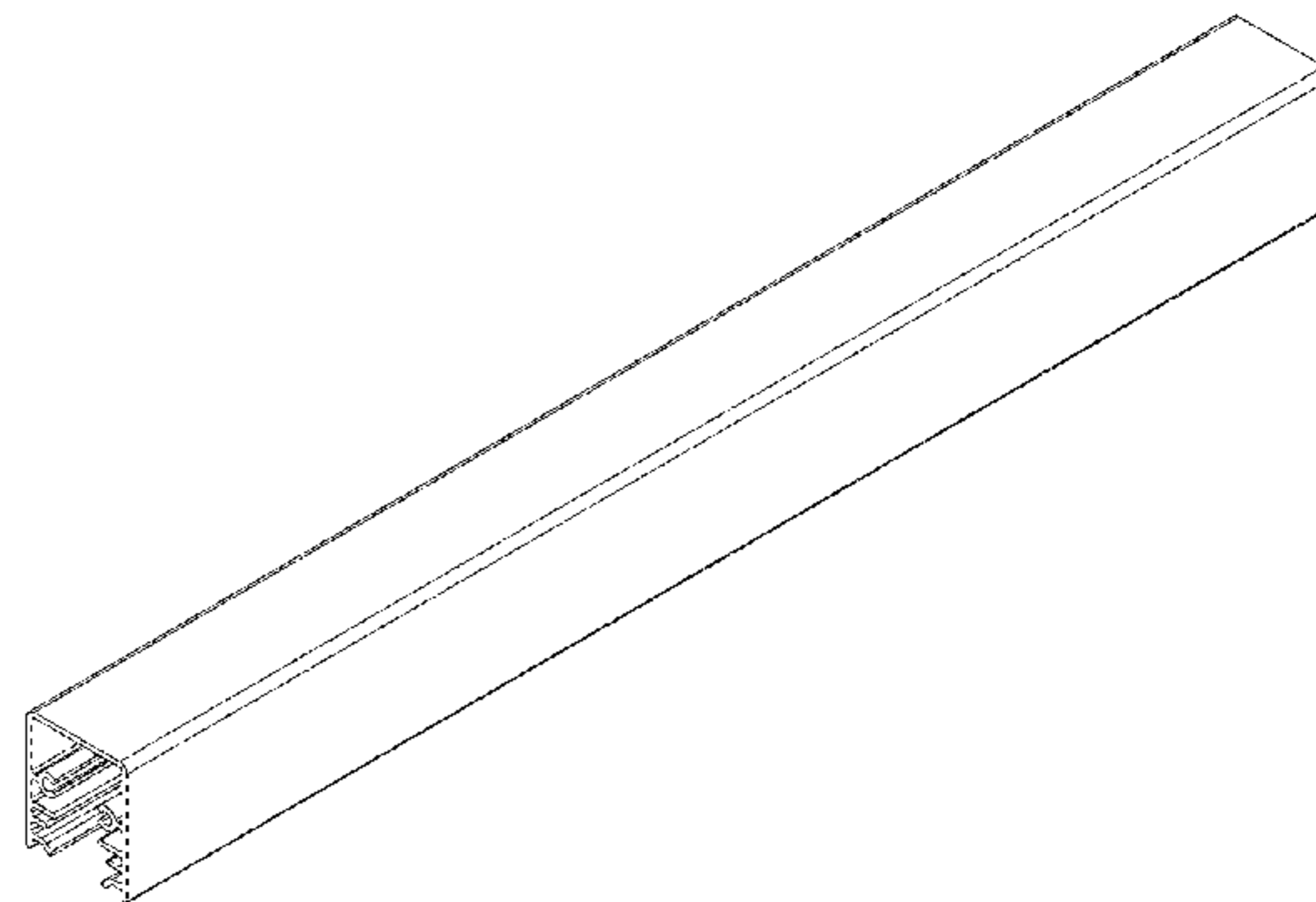
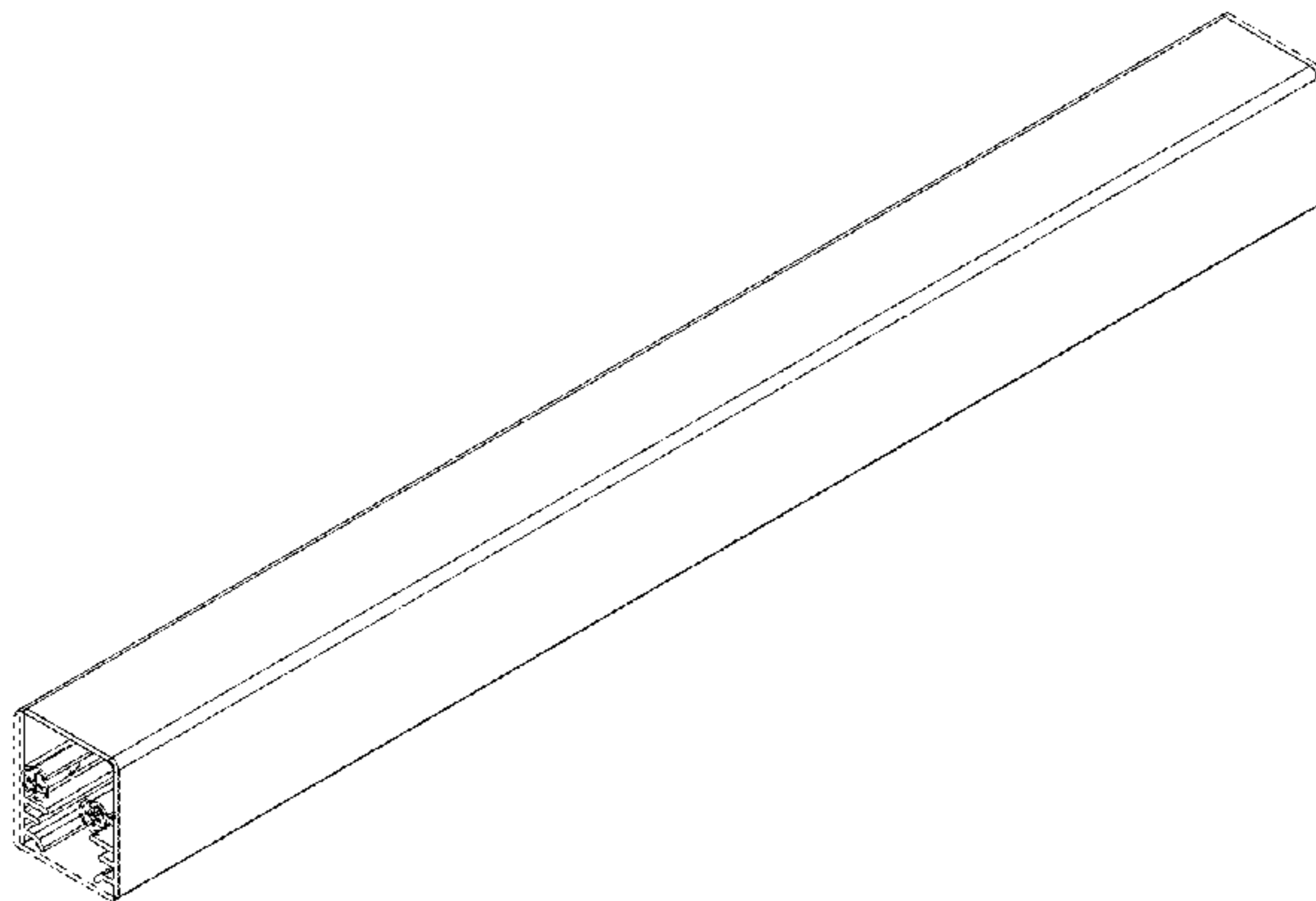
(57) **CLAIM**

The ornamental design for an extruded housing for light emitting diode lighting system, as shown and described.

DESCRIPTION

FIG. 1 is a perspective view of my new ornamental design for an extruded housing for light emitting diode lighting system, shown with end caps for illustrative purposes;
FIG. 2 is a perspective view of the extruded housing for light emitting diode lighting system depicted in FIG. 1;
FIG. 3 is a top plan view of the extruded housing for light emitting diode lighting system depicted in FIG. 2;
FIG. 4 is an end elevational view of the extruded housing for light emitting diode lighting system depicted in FIG. 2;
FIG. 5 is a bottom plan view of the extruded housing for light emitting diode lighting system depicted in FIG. 2;
FIG. 6 is a side elevational view of the extruded housing for light emitting diode lighting system depicted in FIG. 2; and,
FIG. 7 is a perspective view of the extruded housing for light emitting diode lighting system depicted in FIG. 1, shown mounted to a food guard system for illustrative purposes.
The broken lines in the drawings of the extruded housing for light emitting diode lighting system are for illustrative purposes only and form no part of the claimed design.

1 Claim, 7 Drawing Sheets



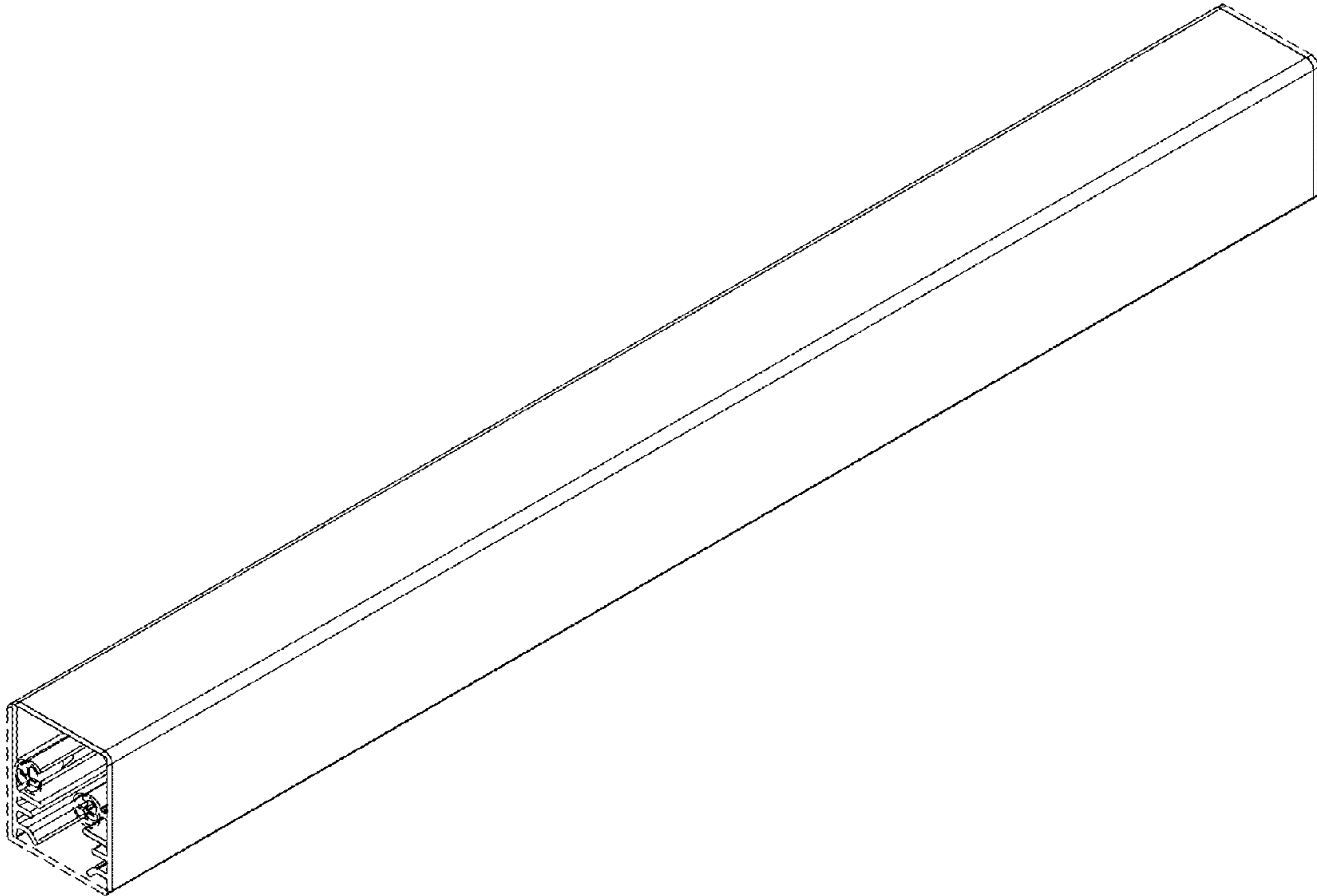


Fig 1

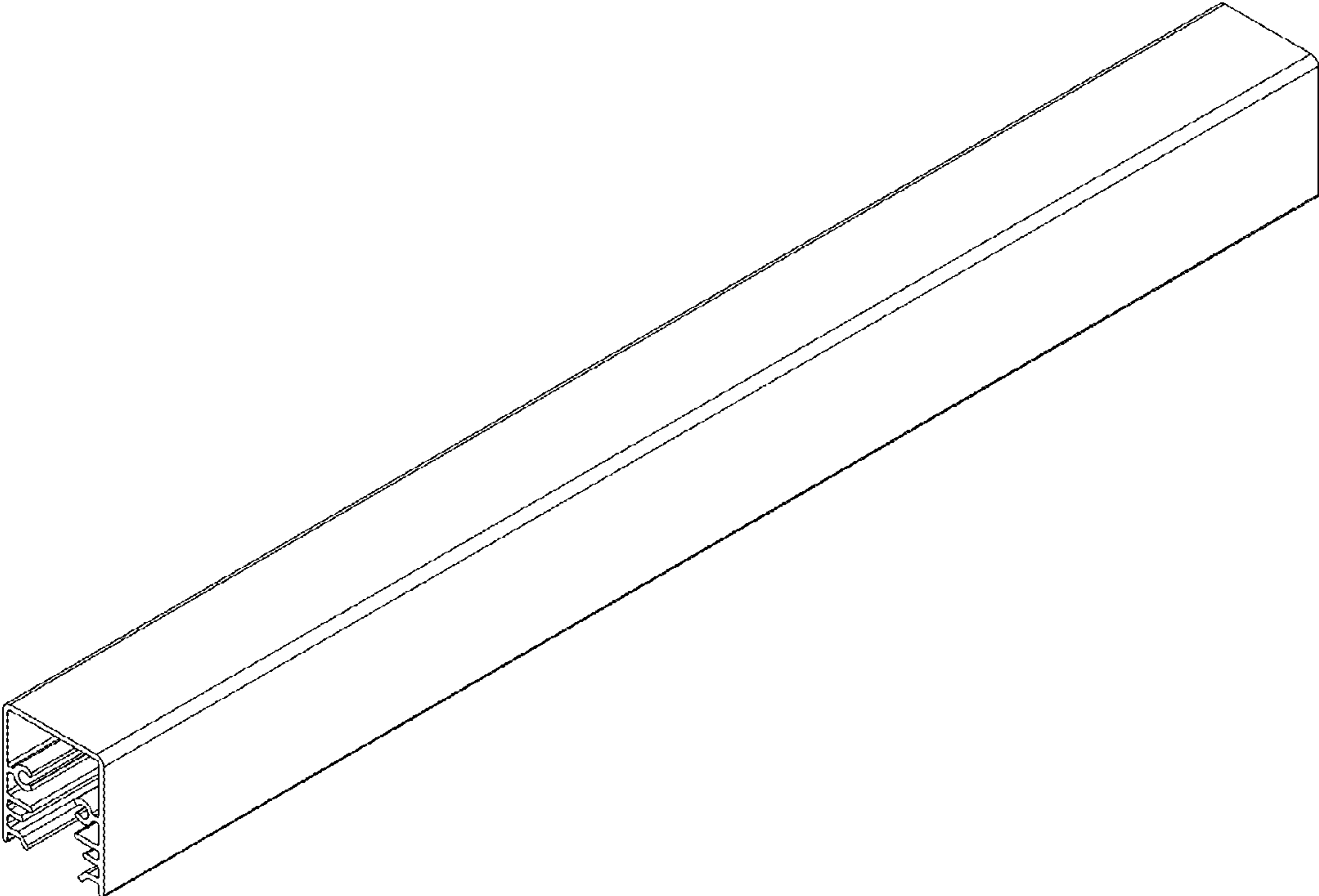


Fig 2

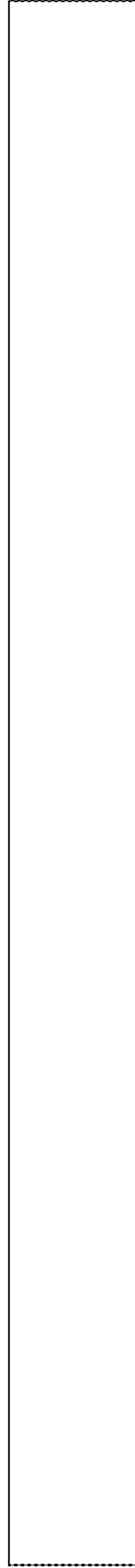


Fig 3

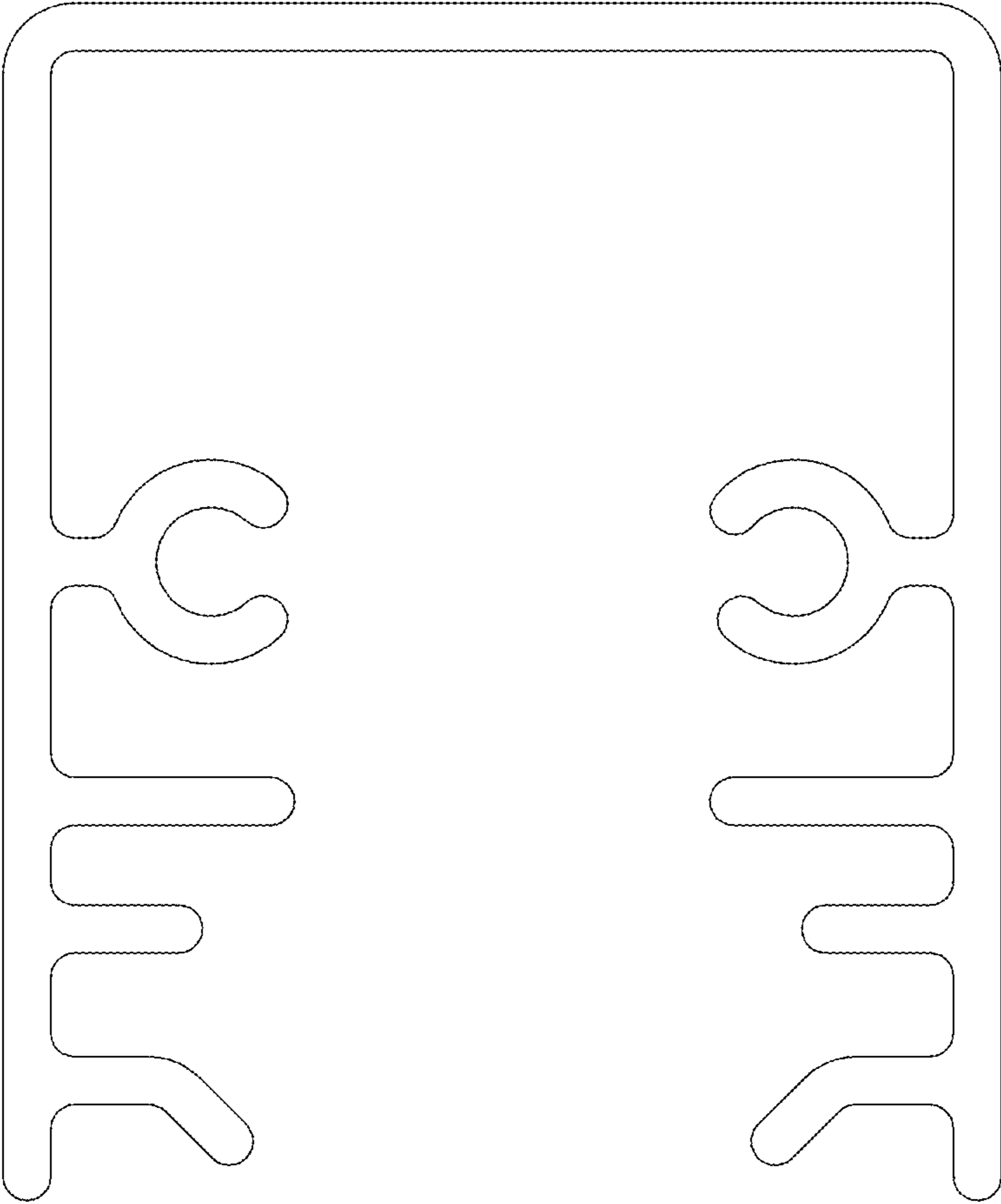


Fig 4

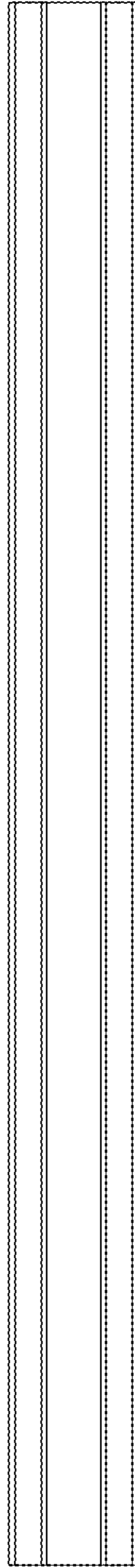


Fig 5

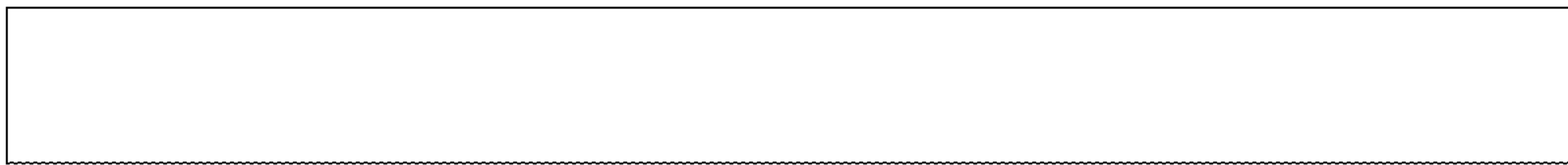


Fig 6

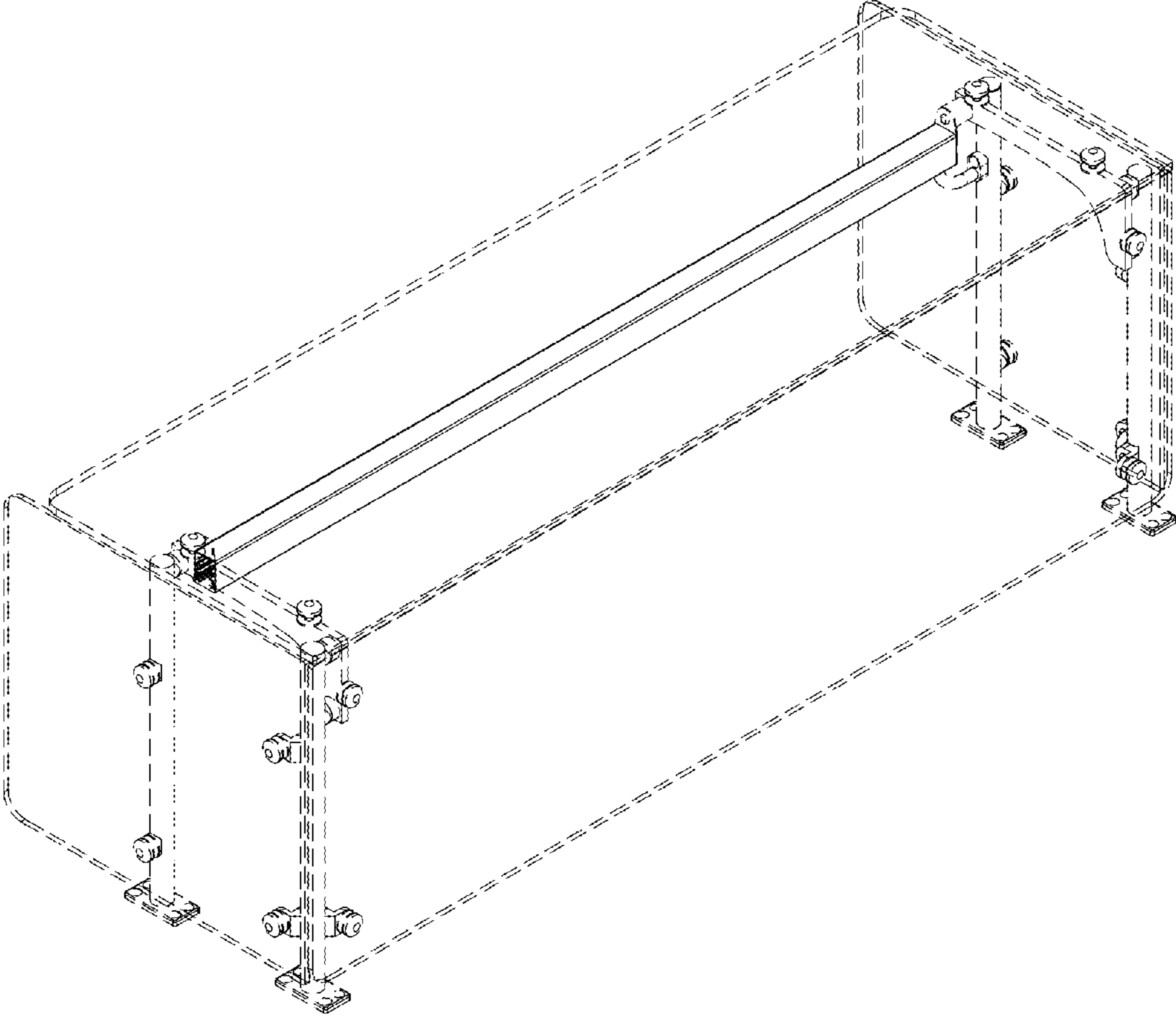


Fig 7