



US00D696812S

(12) **United States Design Patent**
Peng et al.

(10) **Patent No.:** **US D696,812 S**
(45) **Date of Patent:** **** Dec. 31, 2013**

(54) **LAMP HOLDER**

FOREIGN PATENT DOCUMENTS

(75) Inventors: **Li-Chung Peng**, Hsinchu (TW);
Yarn-Chen Chen, Hsinchu County
(TW)

JP 2009-123527 A 6/2009
WO WO-2010/084726 A1 7/2010

(73) Assignee: **Geee Creations, Inc.**, Zhubei, Hsinchu
County (TW)

OTHER PUBLICATIONS

(**) Term: **14 Years**

Zumtobel-Linaria, Zumtobel Lighting GmbH, Article No. 04 900
303-UK, May 2009, pp. 1-32.

(21) Appl. No.: **29/418,914**

New A.A.G. Stucchi Lampholder Art. 1282-SLS/FAU for Osram
'Lumilux T5 HO Seamless' Lamps With G5 Caps, A.A.G. Stucchi,
Feb. 2010, pp. 1-2.

(22) Filed: **Apr. 23, 2012**

Lighting systems, Nippo Electric Co., Ltd., Tokyo, Japan, Apr. 2008,
pp. 1-20.

(30) **Foreign Application Priority Data**

Inox Seamless Lighting Guide Inox, United Kingdom, 2010, pp.
1-20.

Jan. 17, 2012 (TW) 101300262

SlimLite CS—The intelligent solution for variable strip lighting,
Hera GmbH & Co. KG, Enger, Germany, Sep. 2009, pp. 1-12.

(51) **LOC (9) Cl.** **26-03**

Neon LED Tube Series, Dec. 10, 2008, pp. 88-137.

(52) **U.S. Cl.**

Philips Indoor LED, Feb. 4, 2009, pp. 1-35.

USPC **D26/76**

* cited by examiner

(58) **Field of Classification Search**

Primary Examiner — Zenia Bennett

USPC D26/1-3, 24, 56, 72, 74-86, 88-91;
D13/180, 182; 362/150,

(74) *Attorney, Agent, or Firm* — Muncy, Geissler, Olds &
Lowe, PLLC

362/217.01-217.05, 217.08, 217.09, 260,
362/364, 365, 366, 404, 555, 576, 800

See application file for complete search history.

(57)

CLAIM

The ornamental design for a lamp holder, as shown and
described.

(56) **References Cited**

DESCRIPTION

U.S. PATENT DOCUMENTS

FIG. 1 is a perspective view of a lamp holder showing our new
design;

3,974,418 A * 8/1976 Fridrich 315/59
D521,173 S * 5/2006 Noh D26/78
D521,676 S * 5/2006 Richner D26/78
D526,737 S * 8/2006 Noh D26/78
D550,885 S * 9/2007 Crosby D26/76
D593,698 S * 6/2009 Noh D26/76
7,961,113 B2 6/2011 Rabiner et al.

FIG. 2 is a right side view of the lamp holder;

FIG. 3 is a rear view of the lamp holder;

FIG. 4 is a left side view of the lamp holder;

FIG. 5 is a front view of the lamp holder;

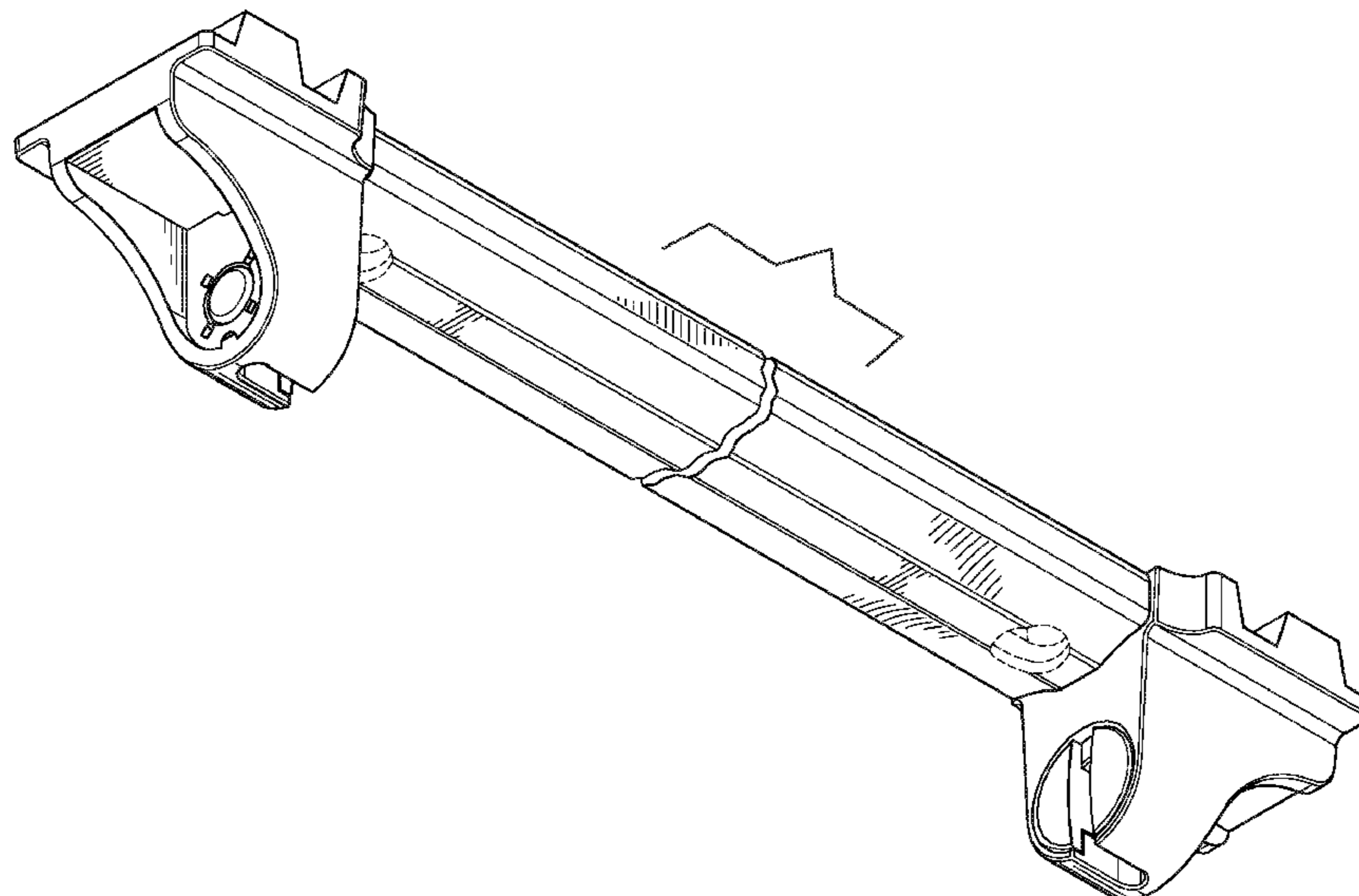
FIG. 6 is a top view of the lamp holder; and,

FIG. 7 is a bottom view of the lamp holder.

The broken lines in the drawing are for illustrative purposes
only and form no part of the claimed design.

The lamp holder is shown broken away to show indeterminate
length and for ease of illustration.

1 Claim, 4 Drawing Sheets



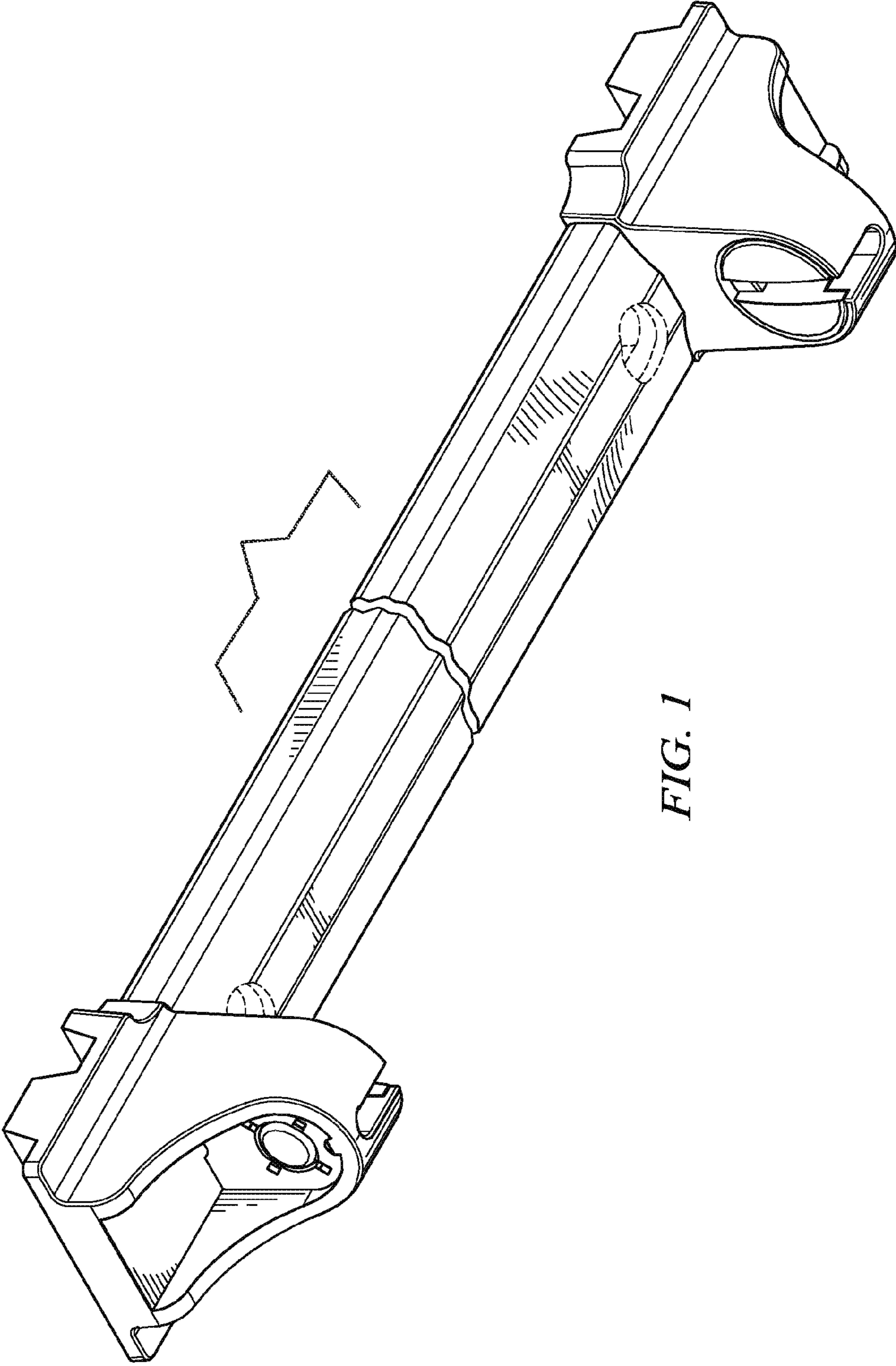


FIG. 1

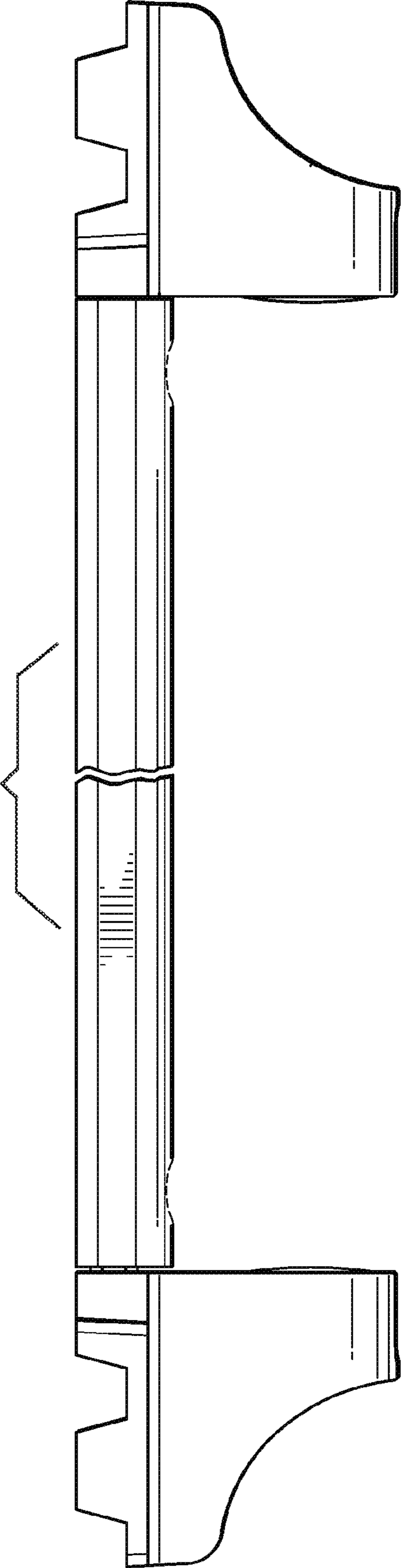


FIG. 2

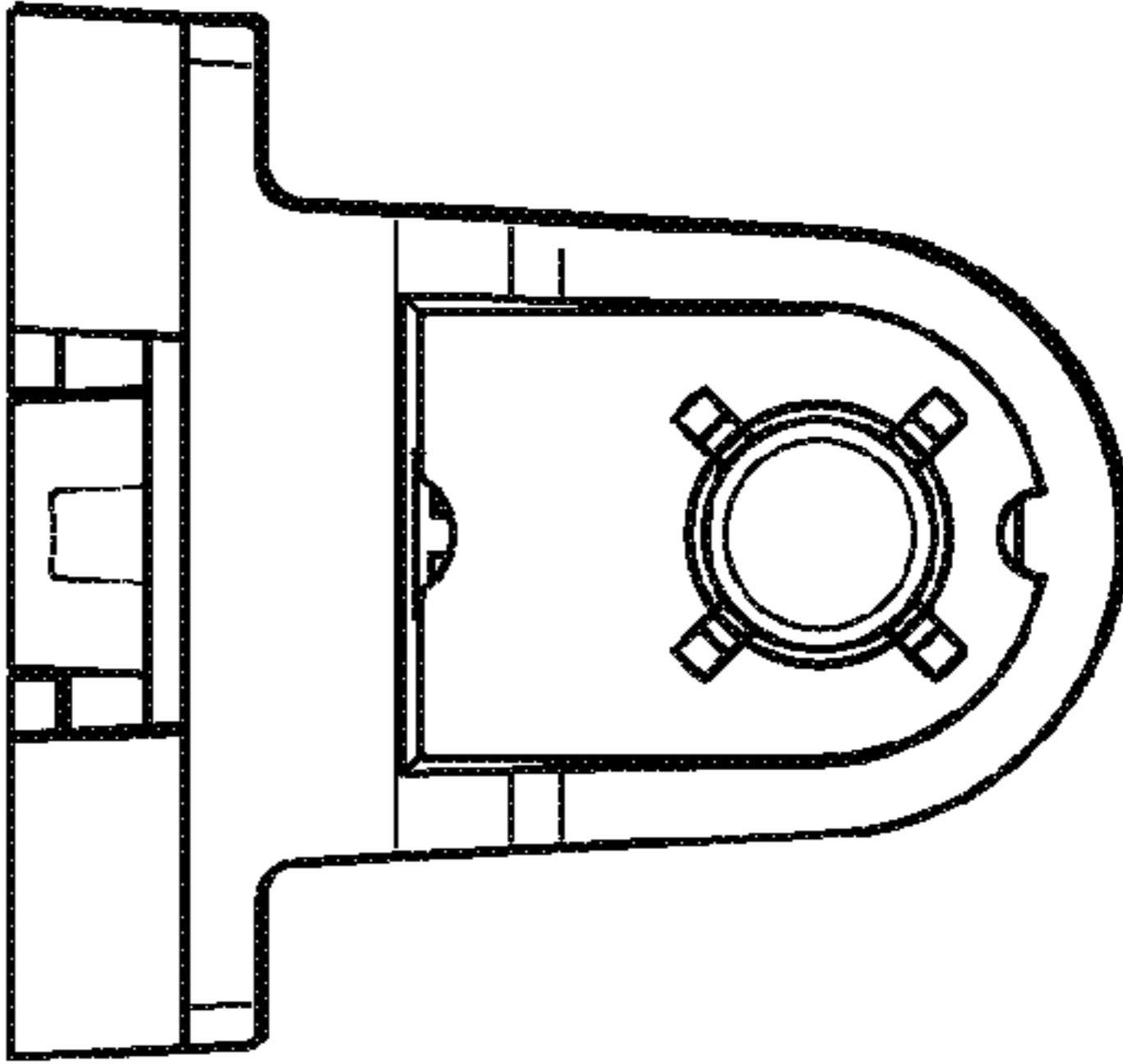


FIG. 3

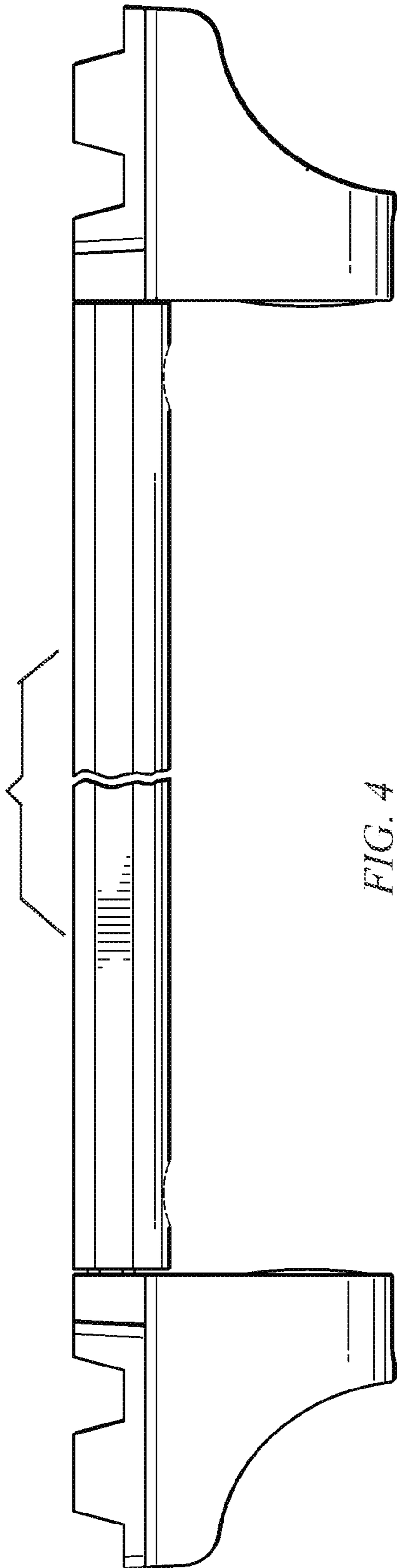


FIG. 4

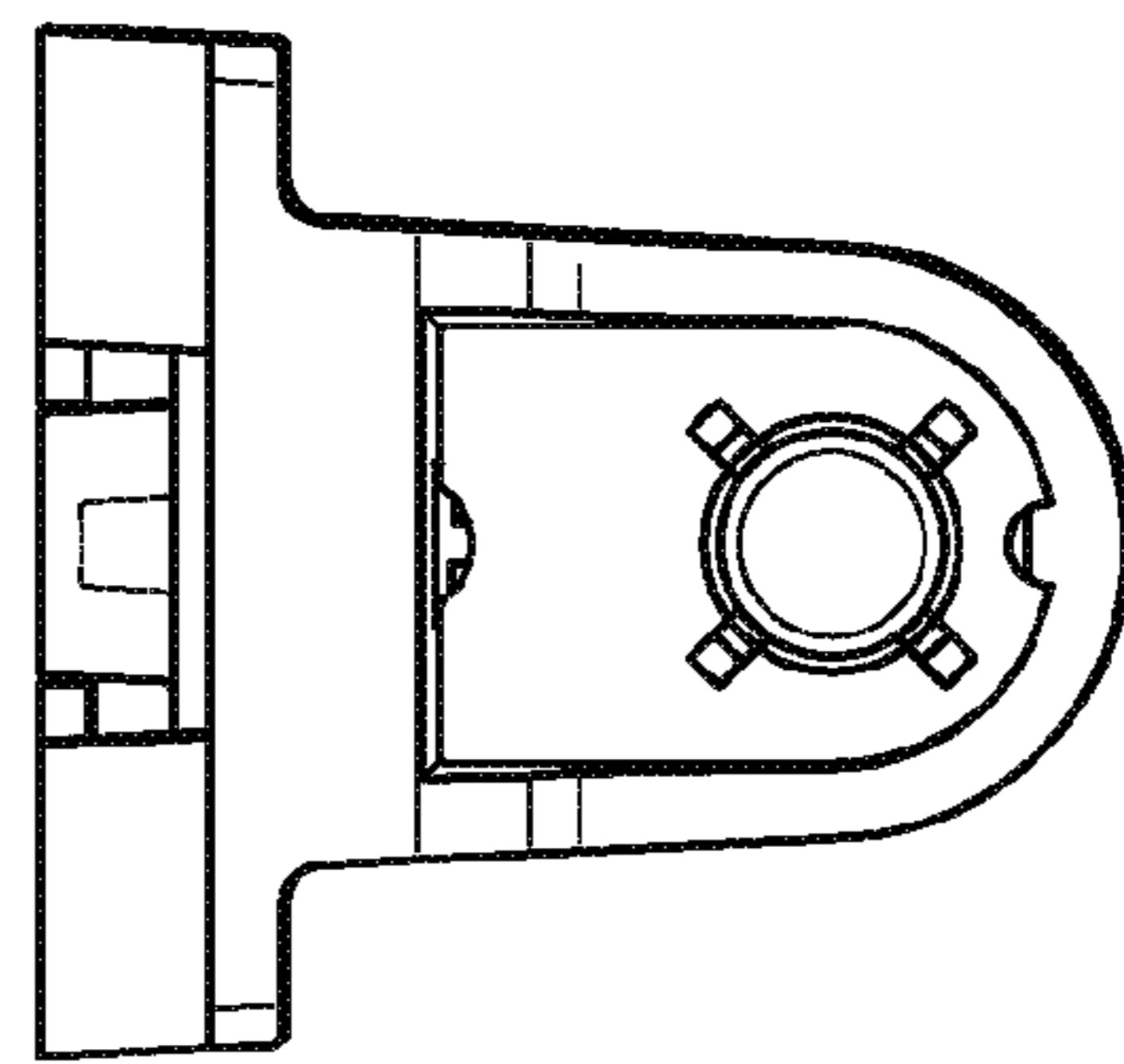


FIG. 5

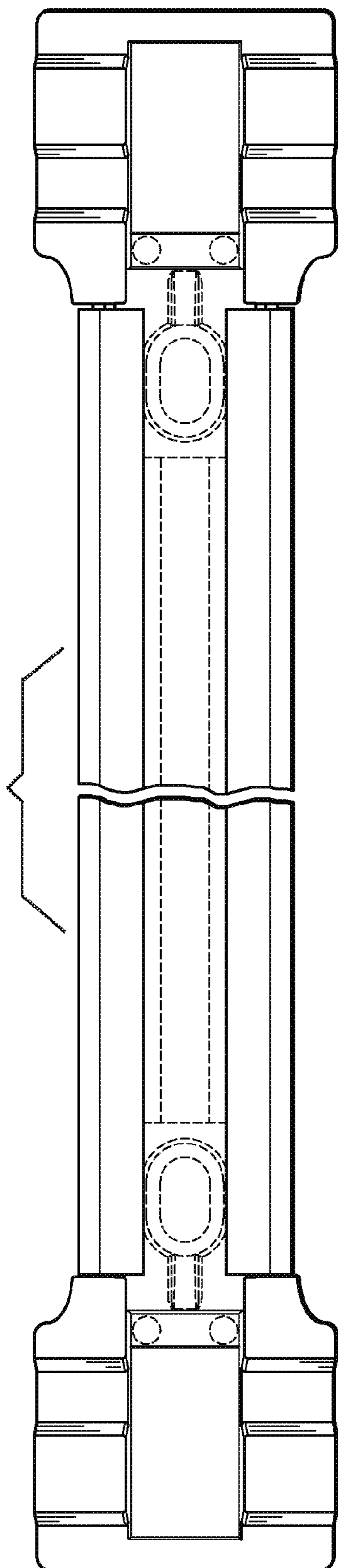


FIG. 6

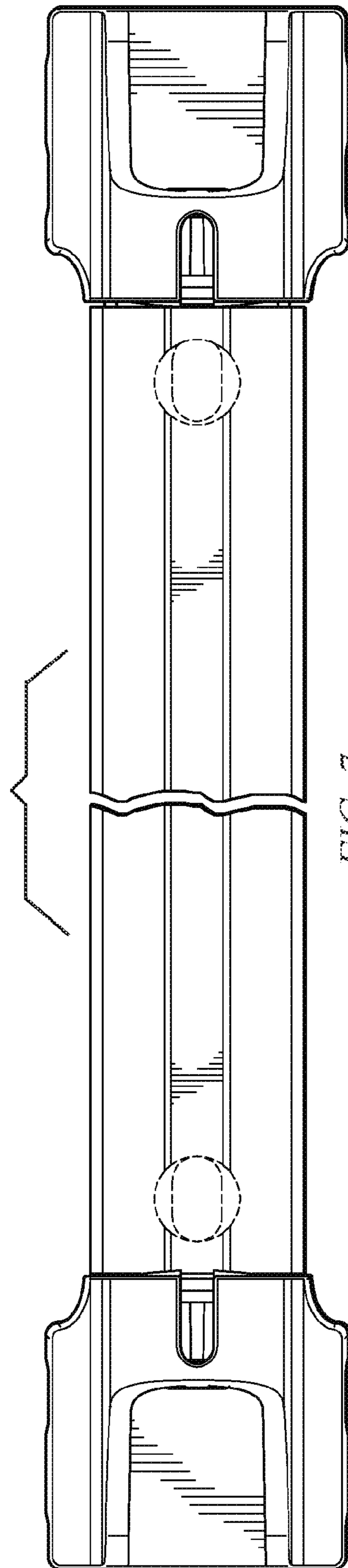


FIG. 7