



US00D696811S

(12) **United States Design Patent**
Mollaghaffari

(10) **Patent No.:** **US D696,811 S**

(45) **Date of Patent:** **** Dec. 31, 2013**

(54) **TWIN LED LIGHTING ASSEMBLY**

D650,508 S * 12/2011 Wassel et al. D26/76
D670,851 S * 11/2012 Tsai D26/76

(75) Inventor: **Massoud Mollaghaffari**, Portland, OR
(US)

* cited by examiner

(73) Assignee: **PHC Northwest, Inc.**, Portland, OR
(US)

Primary Examiner — Zenia Bennett

(74) *Attorney, Agent, or Firm* — Baumgartner Patent Law

(**) Term: **14 Years**

(57) **CLAIM**

The ornamental design for a twin LED lighting assembly, as shown and described.

(21) Appl. No.: **29/412,195**

DESCRIPTION

(22) Filed: **Jan. 31, 2012**

(51) **LOC (9) Cl.** **26-03**

(52) **U.S. Cl.**
USPC **D26/76**

(58) **Field of Classification Search**
USPC D26/1-3, 24, 56, 72, 74-86, 88-91;
D13/180, 182; 362/150,
362/217.01-217.05, 217.08, 217.09, 260,
362/364, 365, 366, 404, 555, 576, 800
See application file for complete search history.

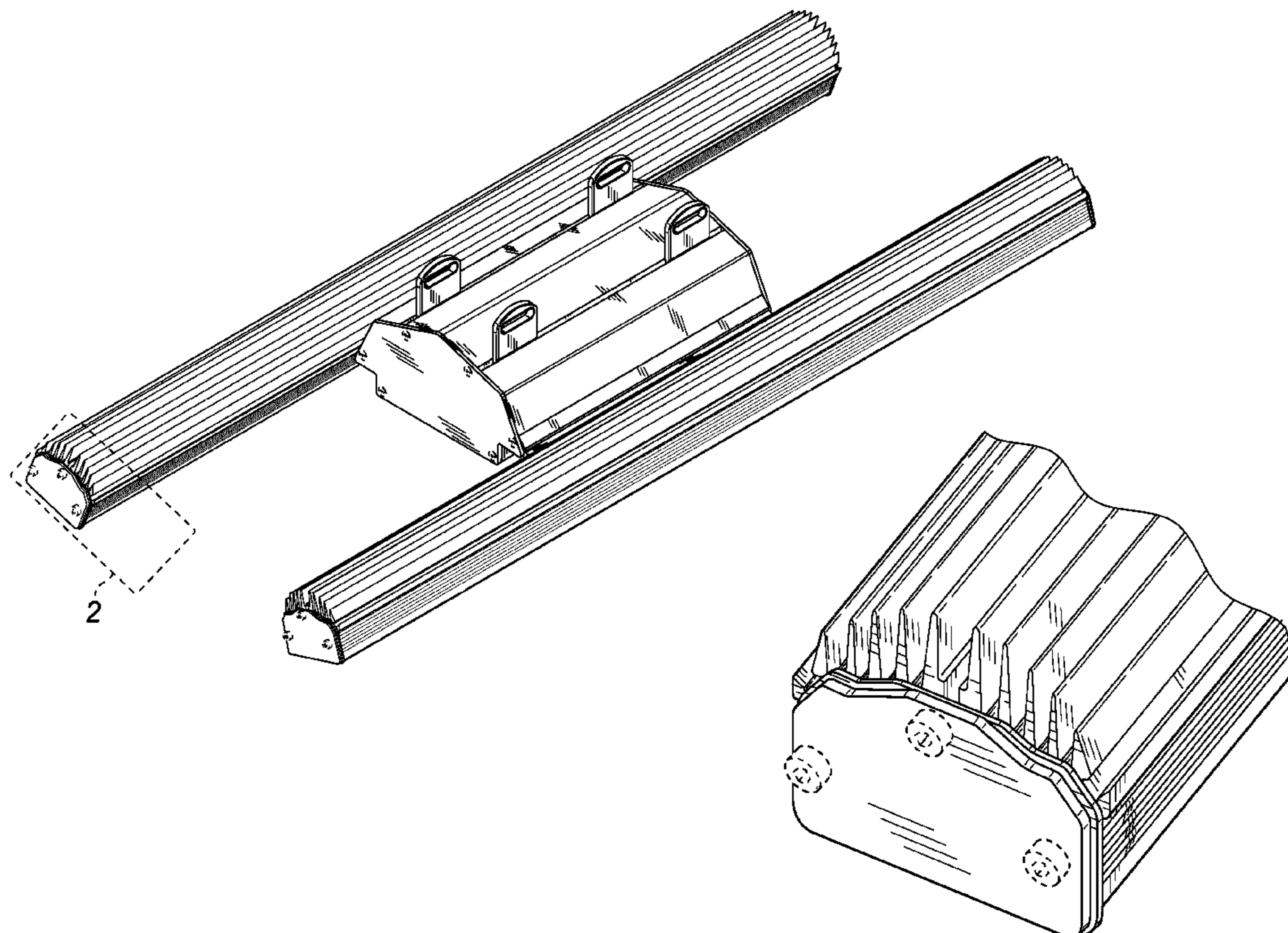
FIG. 1 is a perspective view of the twin LED lighting assembly.
FIG. 2 is a close-up perspective view of the twin LED lighting assembly.
FIG. 3 is a front side view of the twin LED lighting assembly.
FIG. 4 is a back side view of the twin LED lighting assembly.
FIG. 5 is an external side view of the twin LED lighting assembly (the other side is a mirror image of this side).
FIG. 6 is a close-up external side view of the twin LED lighting assembly.
FIG. 7 is a close-up internal side view of the twin LED lighting assembly.
FIG. 8 is a top side view of the twin LED lighting assembly; and,
FIG. 9 is a bottom side view of the twin LED lighting assembly.
The broken lines in the drawings depict portions that are not part of the claimed design, but rather show the environment in which the design is associated.

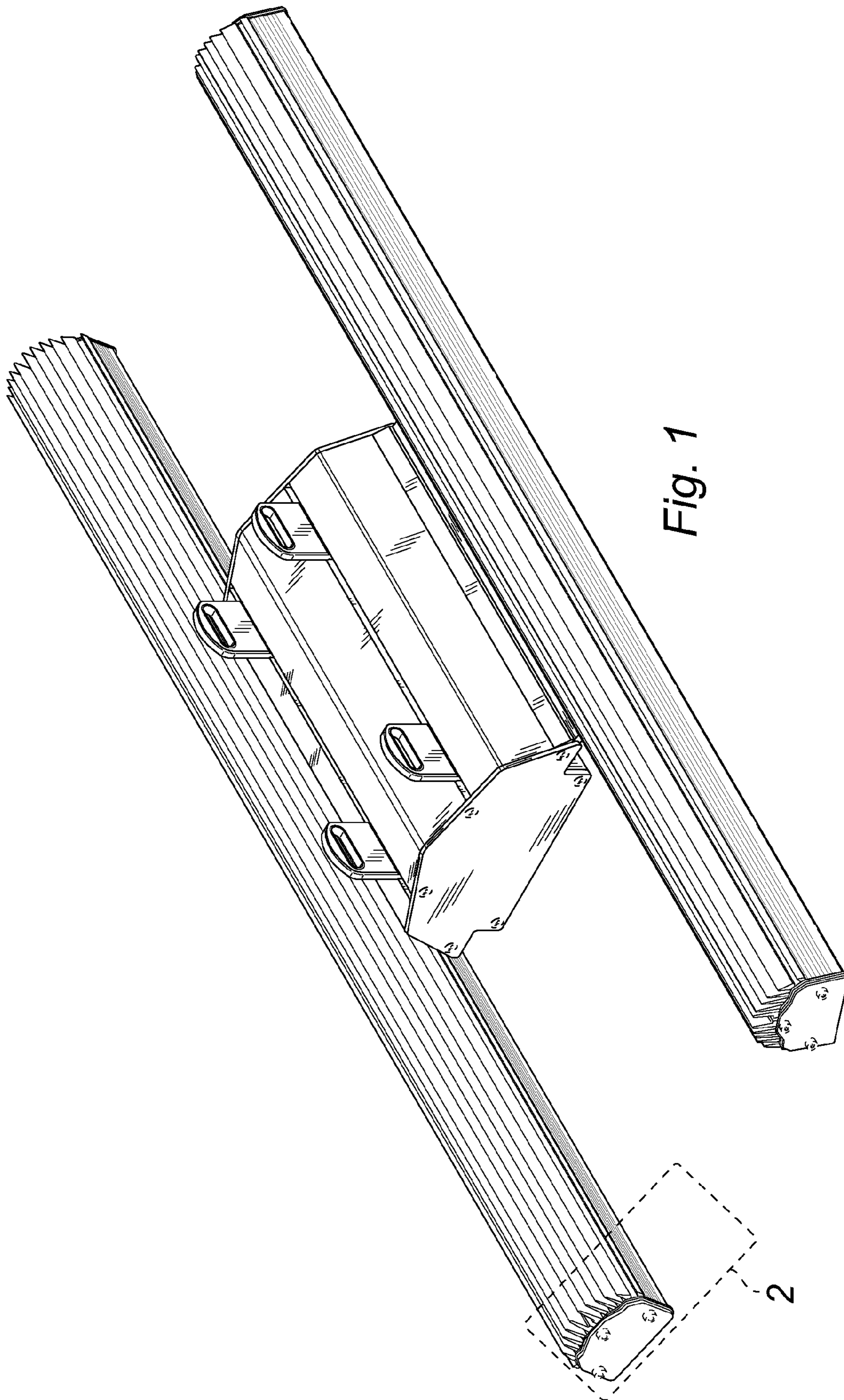
(56) **References Cited**

U.S. PATENT DOCUMENTS

D500,882 S * 1/2005 Herst et al. D26/118
D520,172 S * 5/2006 Engel D26/76
D558,379 S * 12/2007 Citterio D26/76
D595,443 S * 6/2009 Tran et al. D26/76
D612,088 S * 3/2010 Wassel et al. D26/76
D612,528 S * 3/2010 McGrath et al. D26/76
D635,708 S * 4/2011 Zheng D26/78

1 Claim, 7 Drawing Sheets





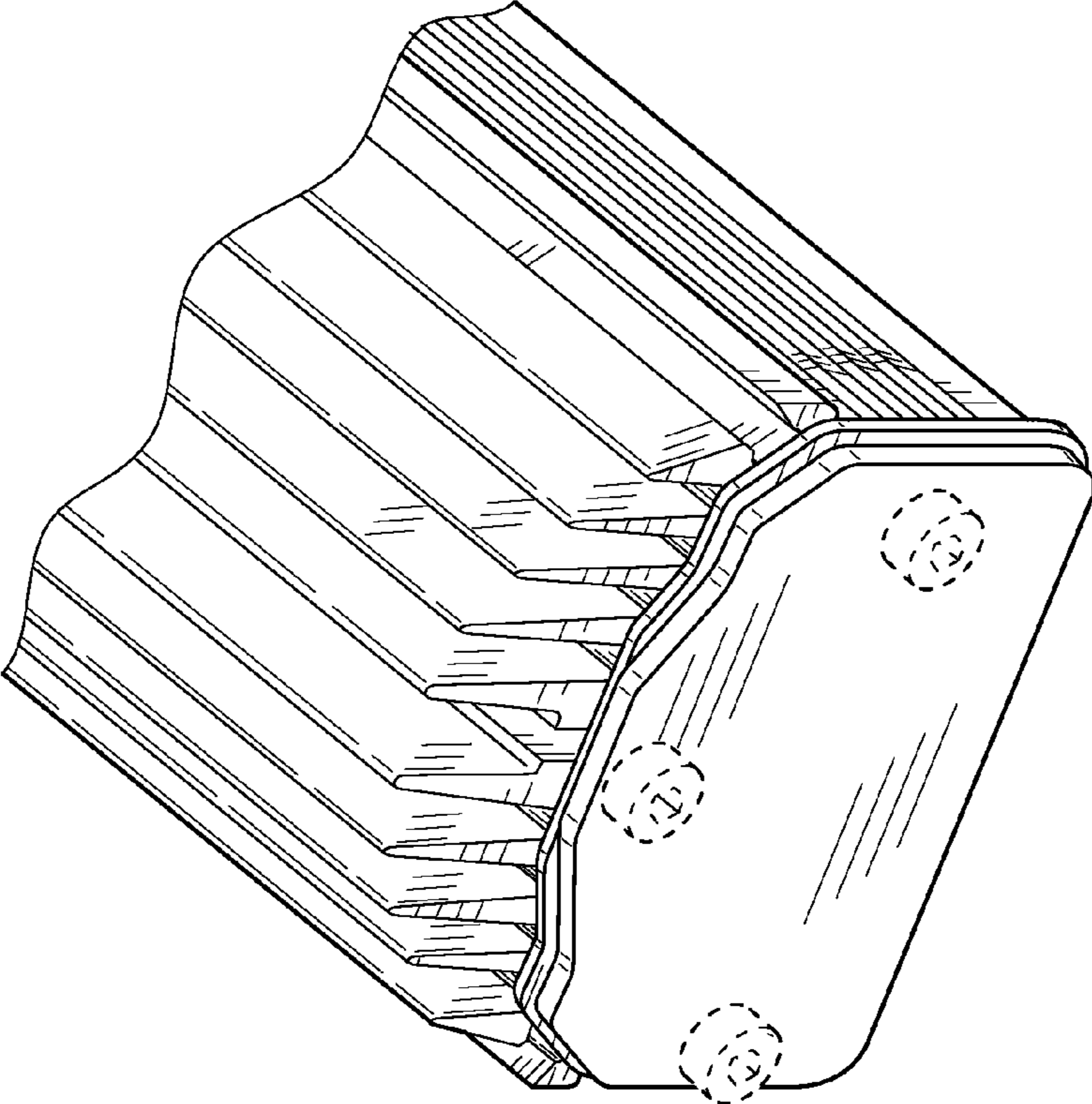


Fig. 2

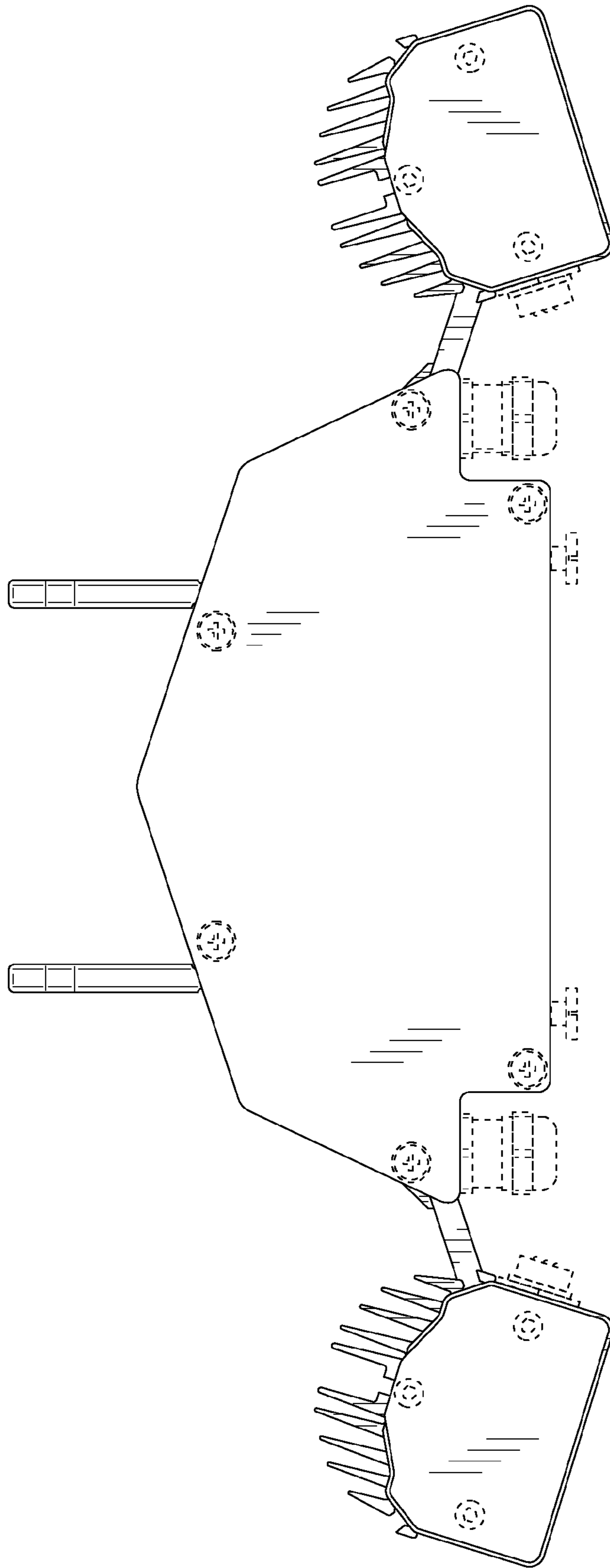


Fig. 3

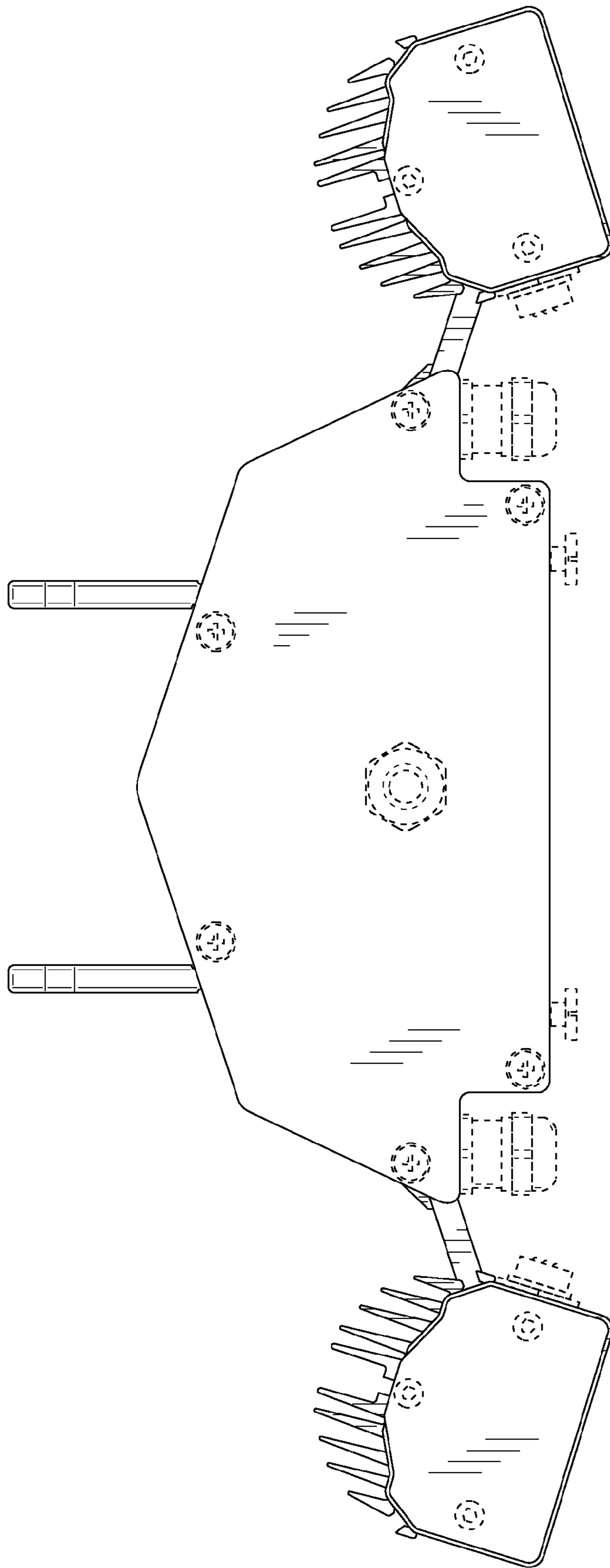


Fig. 4

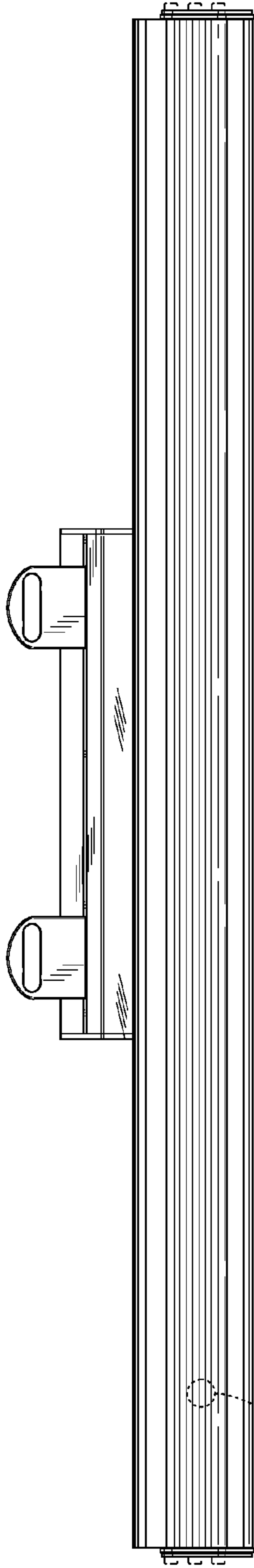


Fig. 5

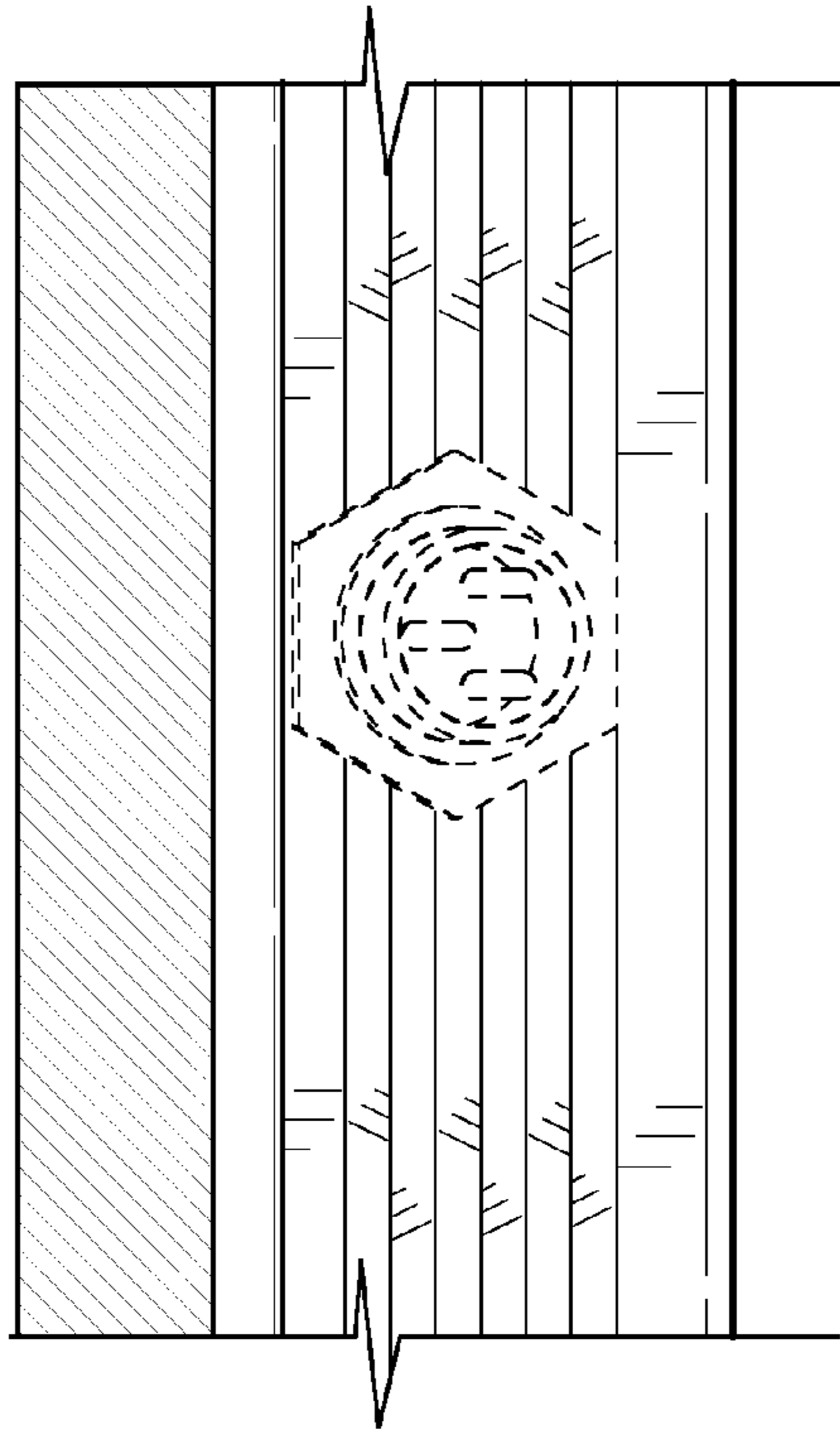


Fig. 7

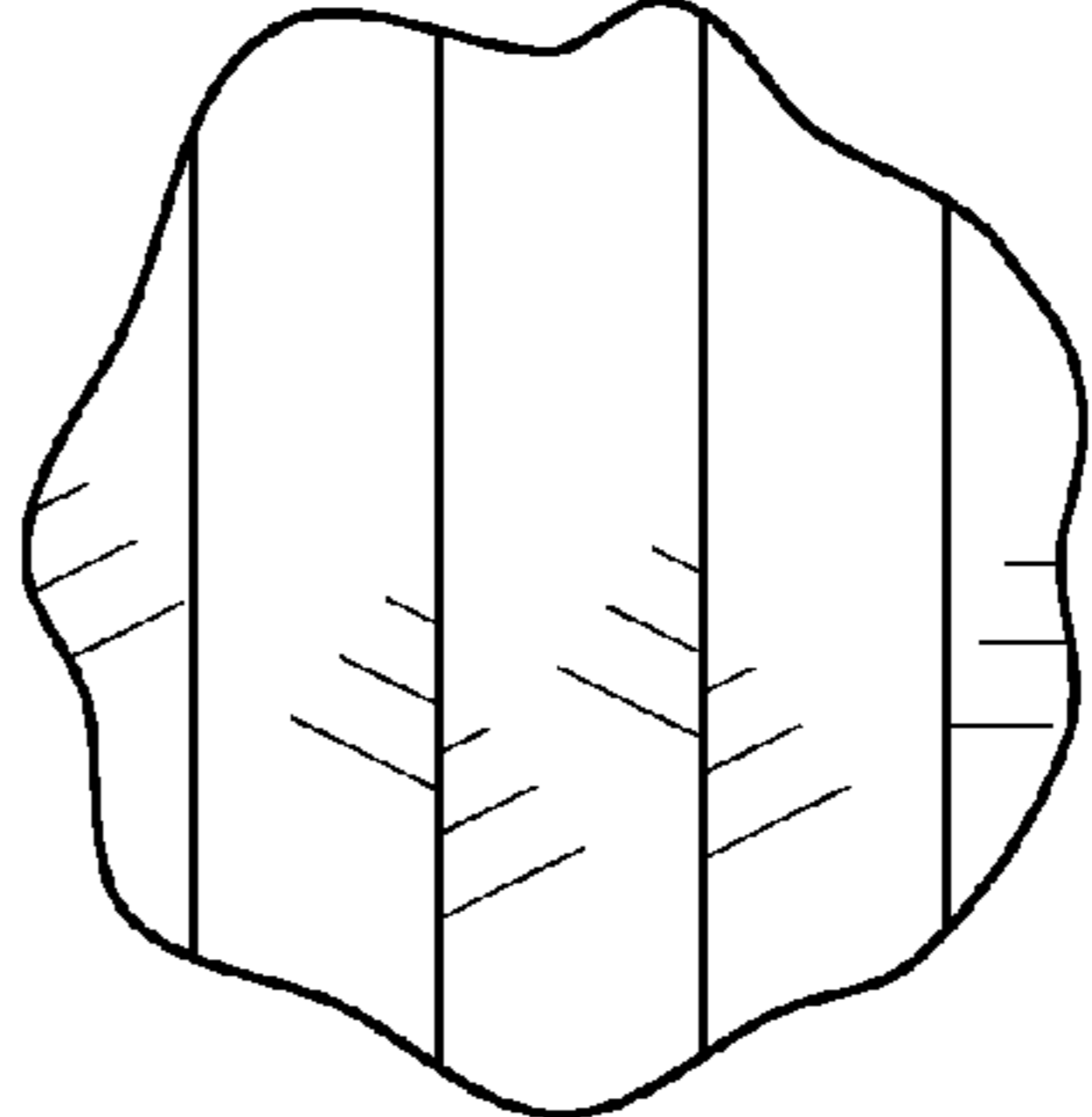


Fig. 6

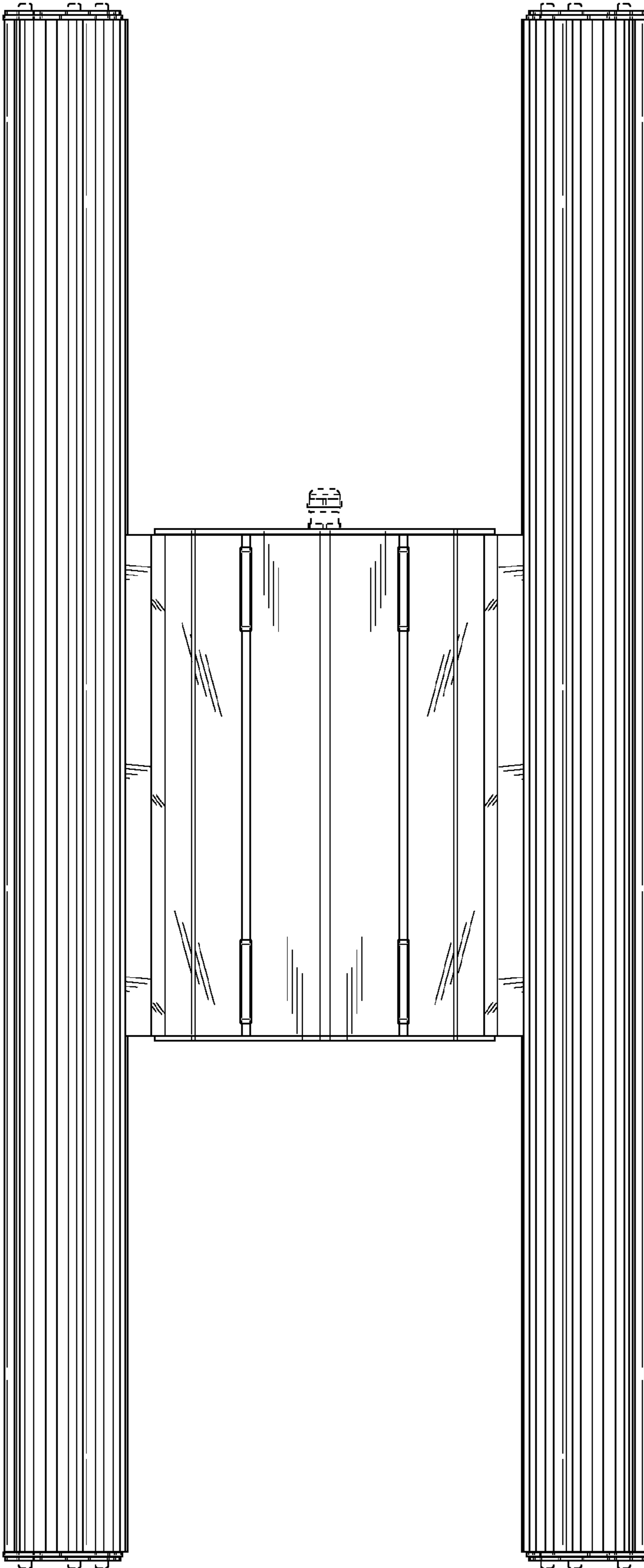


Fig. 8

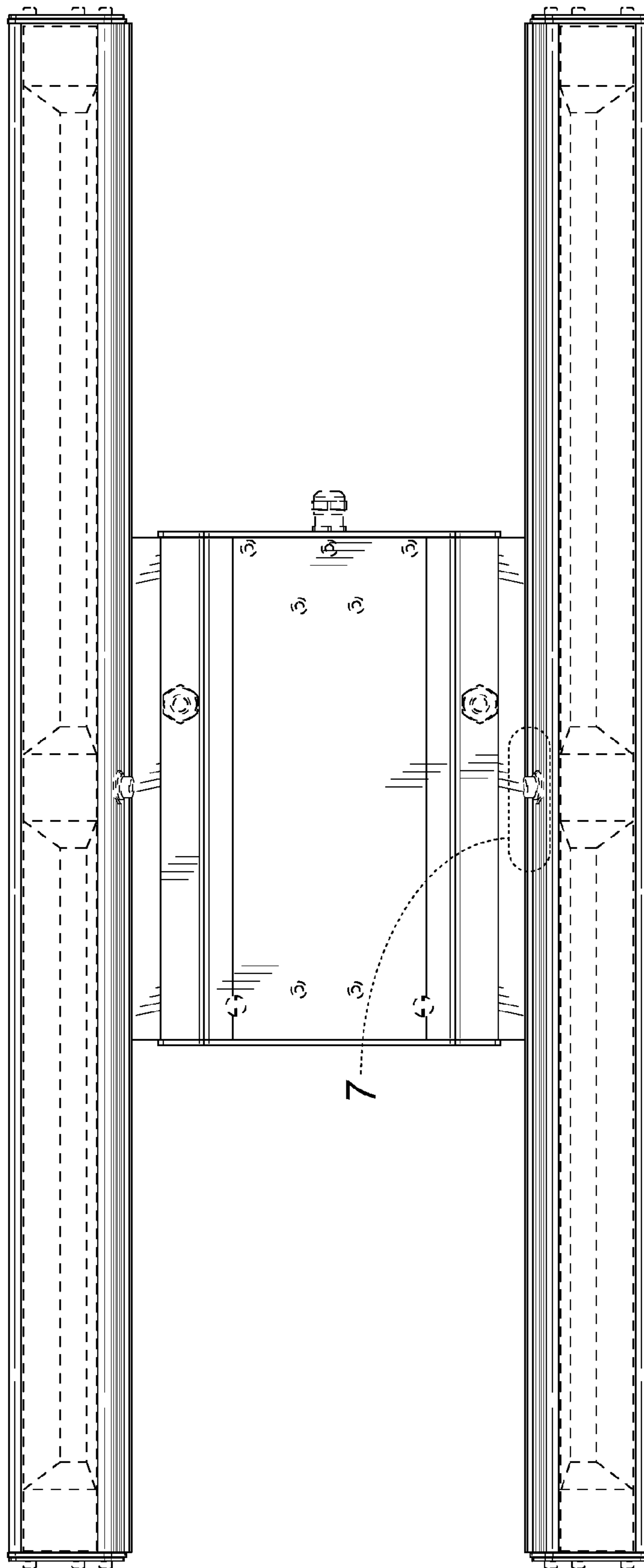


Fig. 9