



US00D696810S

(12) **United States Design Patent**
Ni

(10) **Patent No.:** **US D696,810 S**

(45) **Date of Patent:** **** Dec. 31, 2013**

(54) **SHOP LIGHT WITH DIAMOND PATTERN**

(75) Inventor: **Stephen Tsang-Ming Ni**, Arcadia, CA
(US)

(73) Assignee: **Cordelia Lighting, Inc.**, Rancho
Dominguez, CA (US)

(**) Term: **14 Years**

(21) Appl. No.: **29/409,444**

(22) Filed: **Dec. 22, 2011**

(51) **LOC (9) Cl.** **26-03**

(52) **U.S. Cl.**
USPC **D26/76**

(58) **Field of Classification Search**
USPC D26/1-3, 24, 56, 72, 74-86, 88-91;
D13/180, 182; 362/150,
362/217.01-217.05, 217.08, 217.09, 260,
362/364, 365, 366, 404, 555, 576, 800
See application file for complete search history.

(56) **References Cited**

U.S. PATENT DOCUMENTS

1,410,945	A	3/1922	Mayfield	
D73,834	S	6/1927	Irons	
5,807,021	A *	9/1998	Aaron	404/19
D430,688	S *	9/2000	Plunk	D26/76
6,193,394	B1 *	2/2001	Herst et al.	362/260

D497,026	S	10/2004	Hand	
D510,832	S *	10/2005	Schmidt et al.	D6/561
7,011,428	B1	3/2006	Hand	
D599,419	S *	9/2009	Chiuchiarelli	D21/686
7,634,876	B2 *	12/2009	Moller, Jr.	52/177
D623,316	S	9/2010	Moore	
D675,365	S *	1/2013	Beghelli	D26/78

* cited by examiner

Primary Examiner — Zenia Bennett

(74) *Attorney, Agent, or Firm* — Paul Y. Feng; The Eclipse Group LLP

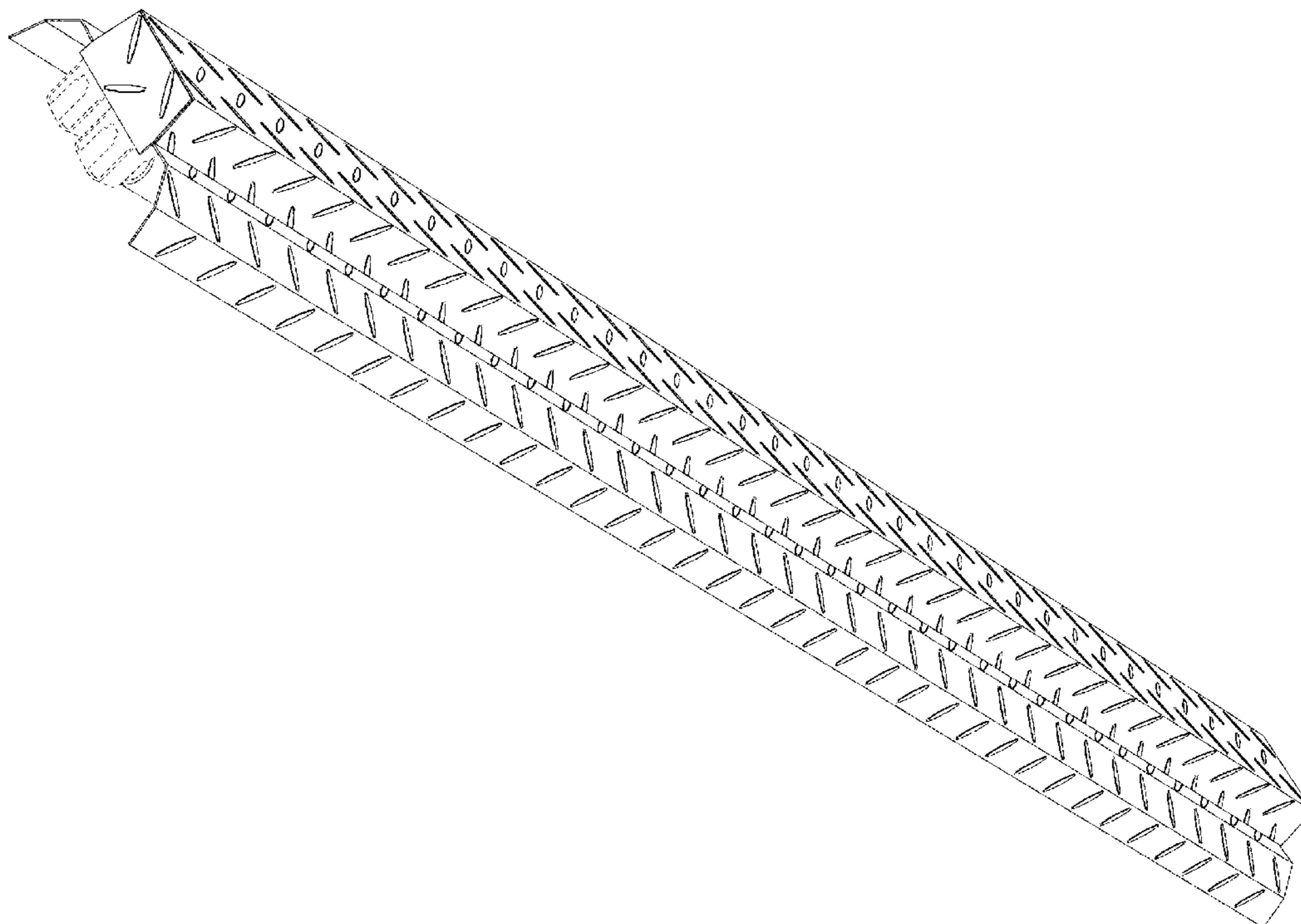
(57) **CLAIM**

The ornamental design for a shop light with diamond pattern, as shown and described.

DESCRIPTION

FIG. 1 is a perspective view of the top side of a shop light with diamond pattern, showing the new design;
FIG. 2 is a perspective view of the bottom side of the shop light with diamond pattern from FIG. 1;
FIG. 3 is a left, side elevational view thereof;
FIG. 4 is a right, side elevation view thereof;
FIG. 5 is a bottom view thereof;
FIG. 6 is a left end view thereof, where the right end view is identical to what is shown; and,
FIG. 7 is a top plan view thereof.
The broken lines shown in the drawings are for illustrative purposes only and form no part of the claimed design.

1 Claim, 7 Drawing Sheets



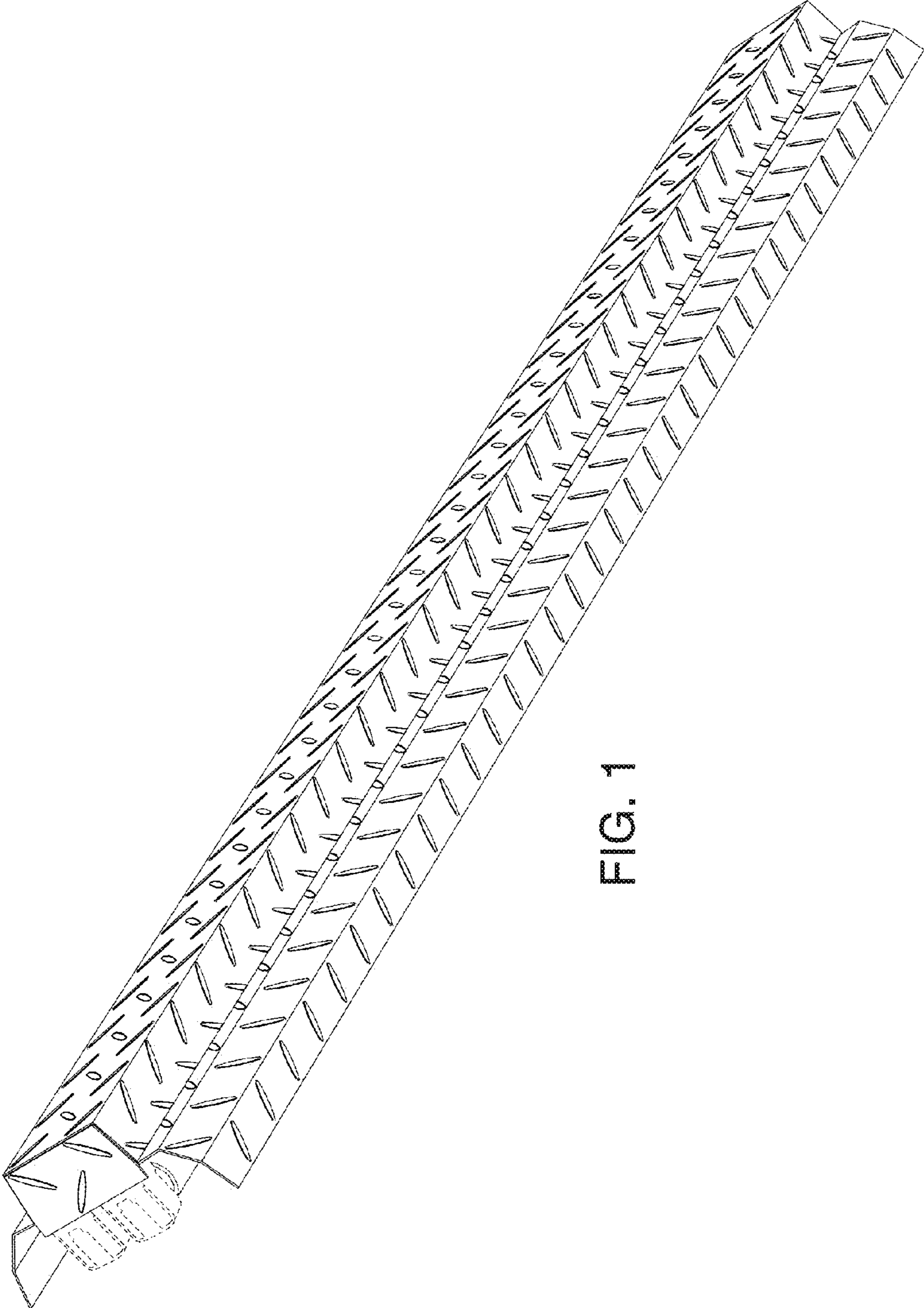


FIG. 1

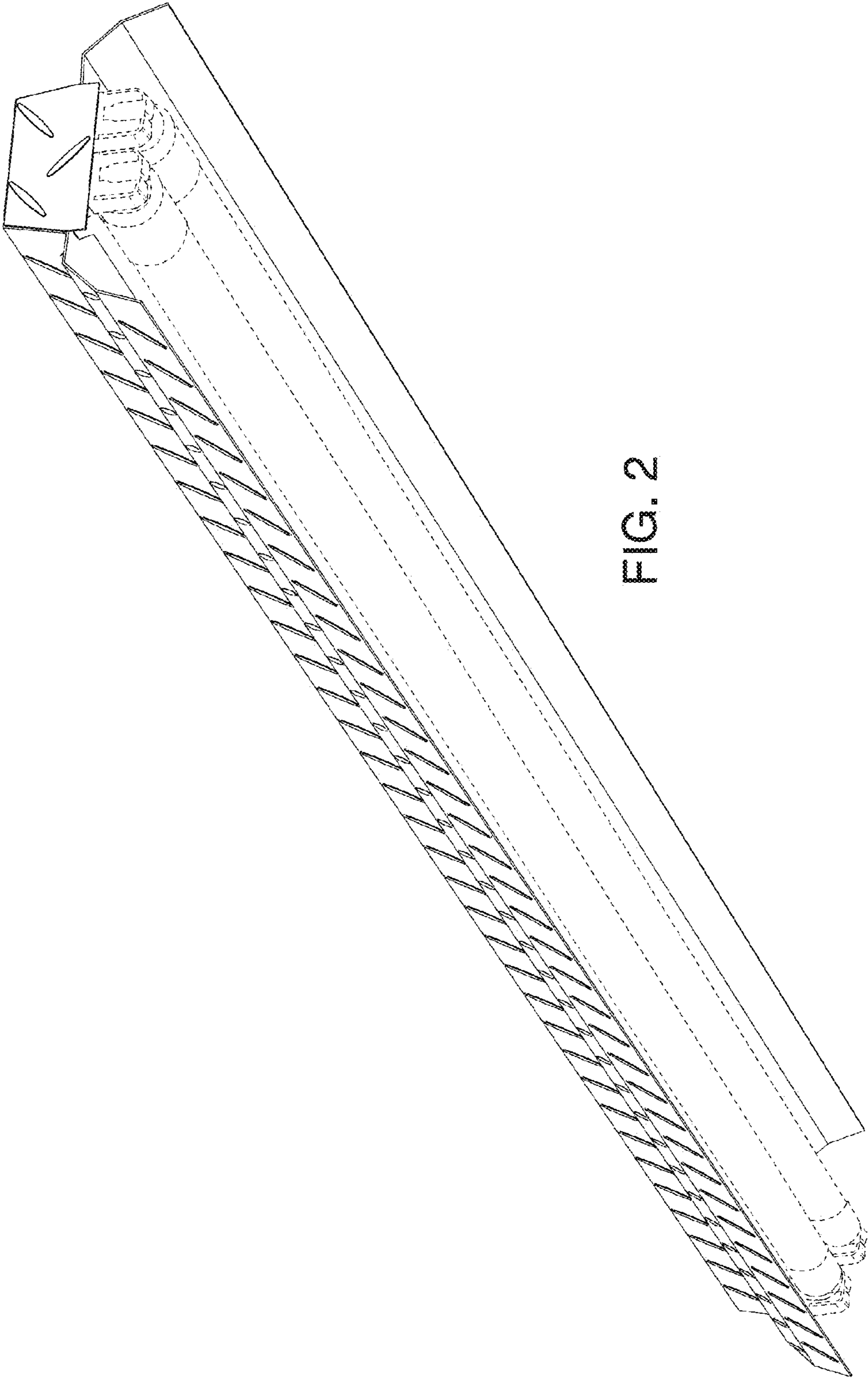


FIG. 2

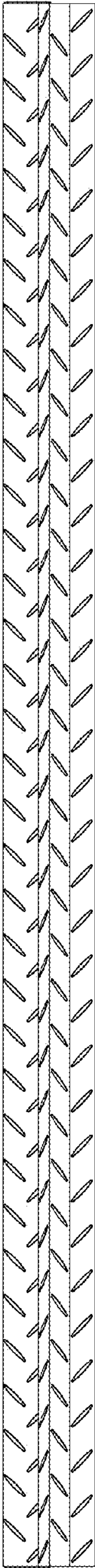


FIG. 3

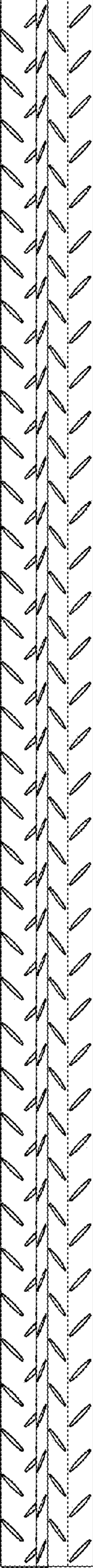


FIG. 4

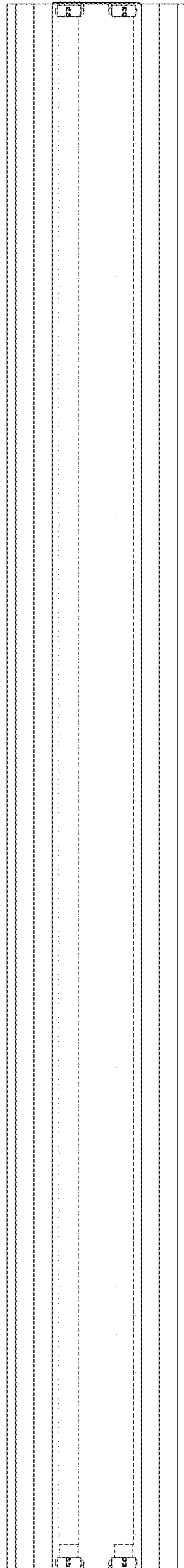


FIG. 5

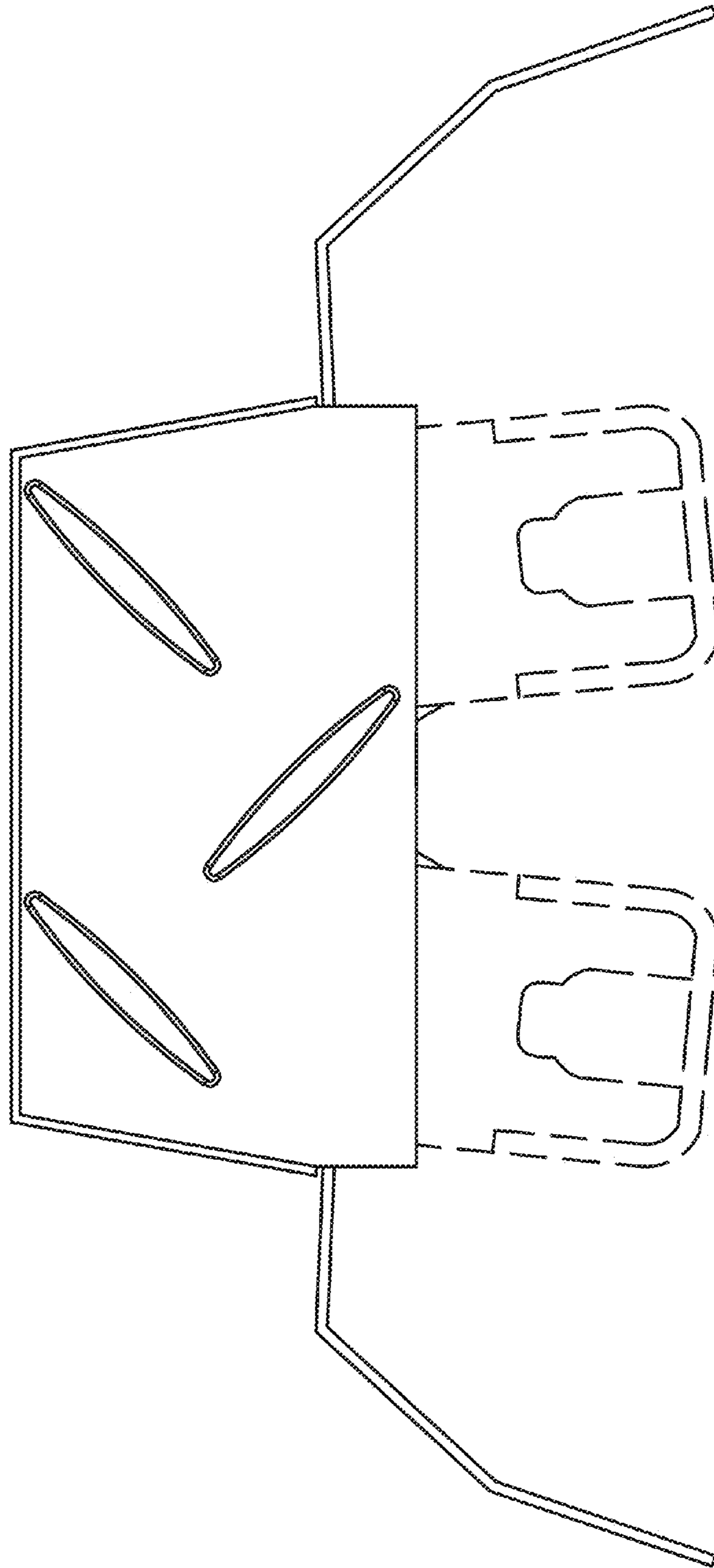


FIG. 6

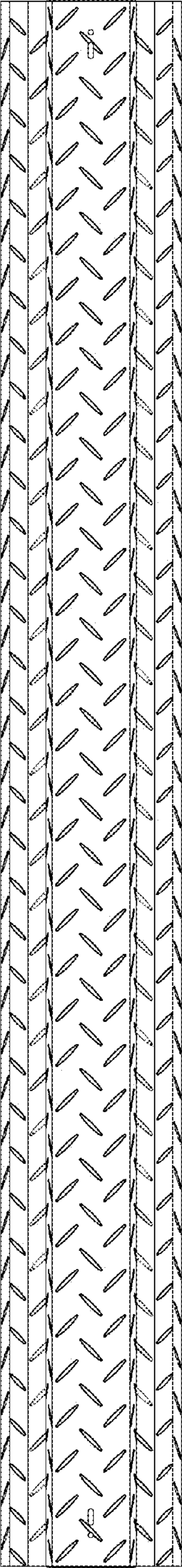


FIG. 7