



US00D696803S

(12) **United States Design Patent**  
**Kingston et al.**

(10) **Patent No.:** **US D696,803 S**

(45) **Date of Patent:** **\*\* Dec. 31, 2013**

(54) **HEADLAMP ASSEMBLY**

(75) Inventors: **Ronald J. Kingston**, Syracuse, NY (US); **Mark A. Ferguson**, Memphis, NY (US); **Matthew G. Law**, Sheffield Lake, OH (US); **Matthew R. Gortner**, Manhus, NY (US)

(73) Assignee: **Eveready Battery Company, Inc.**, St. Louis, MO (US)

(\*\*) Term: **14 Years**

(21) Appl. No.: **29/427,041**

(22) Filed: **Jul. 13, 2012**

(51) **LOC (9) Cl.** ..... **26-02**

(52) **U.S. Cl.**  
USPC ..... **D26/39**

(58) **Field of Classification Search**  
USPC ..... D26/37, 38, 39, 46, 50; 362/103–108, 362/157, 158, 183, 184, 194–196, 200–202, 362/253; D13/103, 107  
See application file for complete search history.

(56) **References Cited**

**U.S. PATENT DOCUMENTS**

D527,127 S	*	8/2006	Petzl	.....	D26/39
D552,278 S	*	10/2007	Spartano et al.	.....	D26/39
D583,971 S	*	12/2008	Castellucci et al.	.....	D26/39
D615,678 S	*	5/2010	DeBrunner	.....	D26/39
D625,862 S	*	10/2010	Fitch et al.	.....	D26/39

D625,863 S	*	10/2010	Kingston et al.	.....	D26/39
D672,893 S	*	12/2012	Inskeep	.....	D26/39
D677,816 S	*	3/2013	Petzl	.....	D26/39
D680,250 S	*	4/2013	Opolka	.....	D26/39

\* cited by examiner

*Primary Examiner* — Ian Simmons

*Assistant Examiner* — Carissa C Fitts

(74) *Attorney, Agent, or Firm* — Russell H. Toye, Jr.

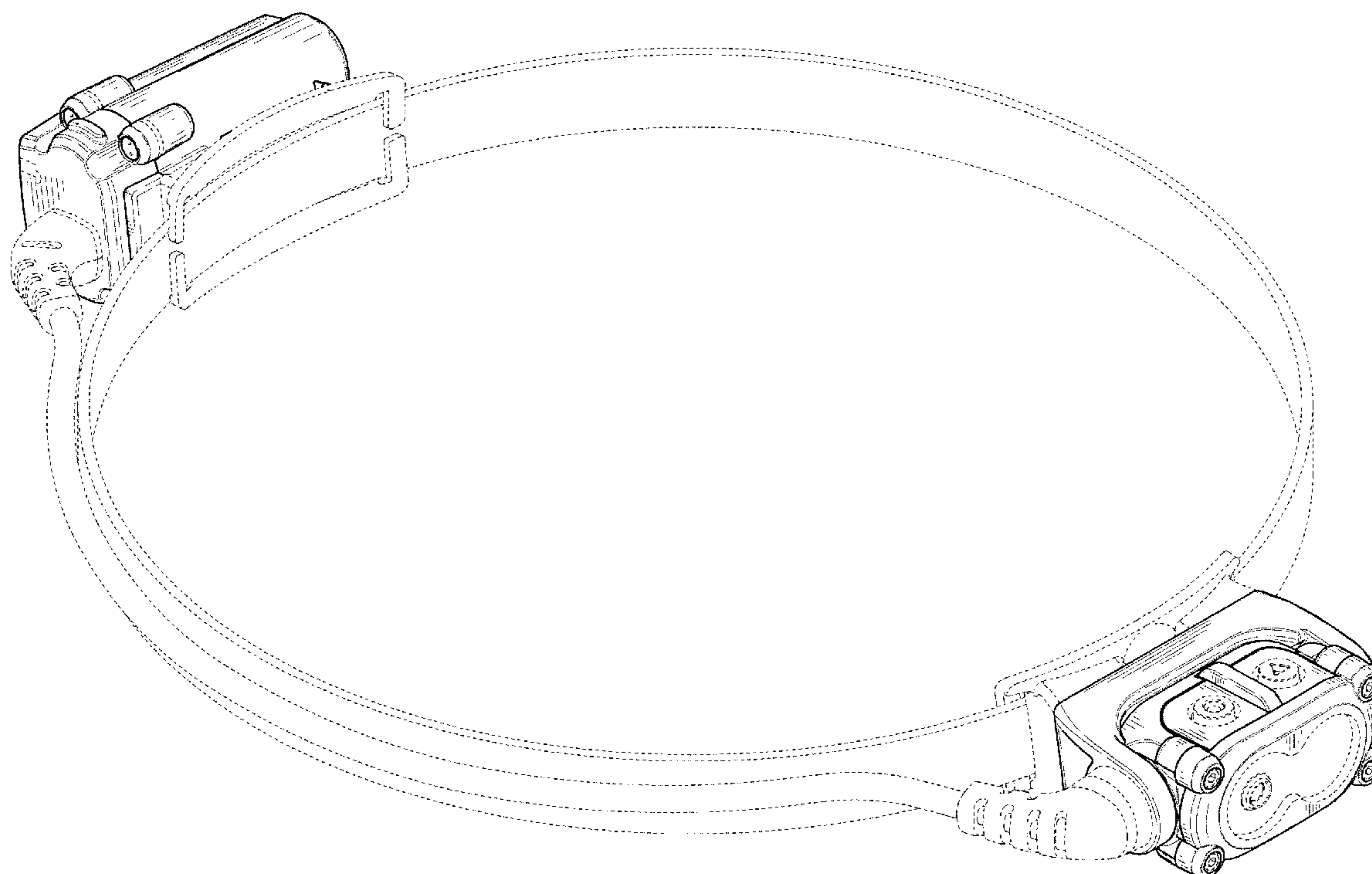
(57) **CLAIM**

We claim the ornamental design for a headlamp assembly, as shown and described.

**DESCRIPTION**

FIG. 1 is a front perspective view of a headlamp assembly with the strap attached.  
FIG. 2 is a second front perspective view thereof;  
FIG. 3 is a rear perspective view thereof;  
FIG. 4 is a left side view thereof;  
FIG. 5 is a right side view thereof;  
FIG. 6 is a front view of the headlamp portion thereof;  
FIG. 7 is a rear view of the headlamp portion thereof;  
FIG. 8 is a rear view of the battery pack portion thereof;  
FIG. 9 is a front view of the battery pack portion thereof;  
FIG. 10 is a top view thereof; and,  
FIG. 11 is a bottom view thereof.  
Any broken line(s) shown are for illustrative purposes only and form no part of the claimed design.

**1 Claim, 8 Drawing Sheets**



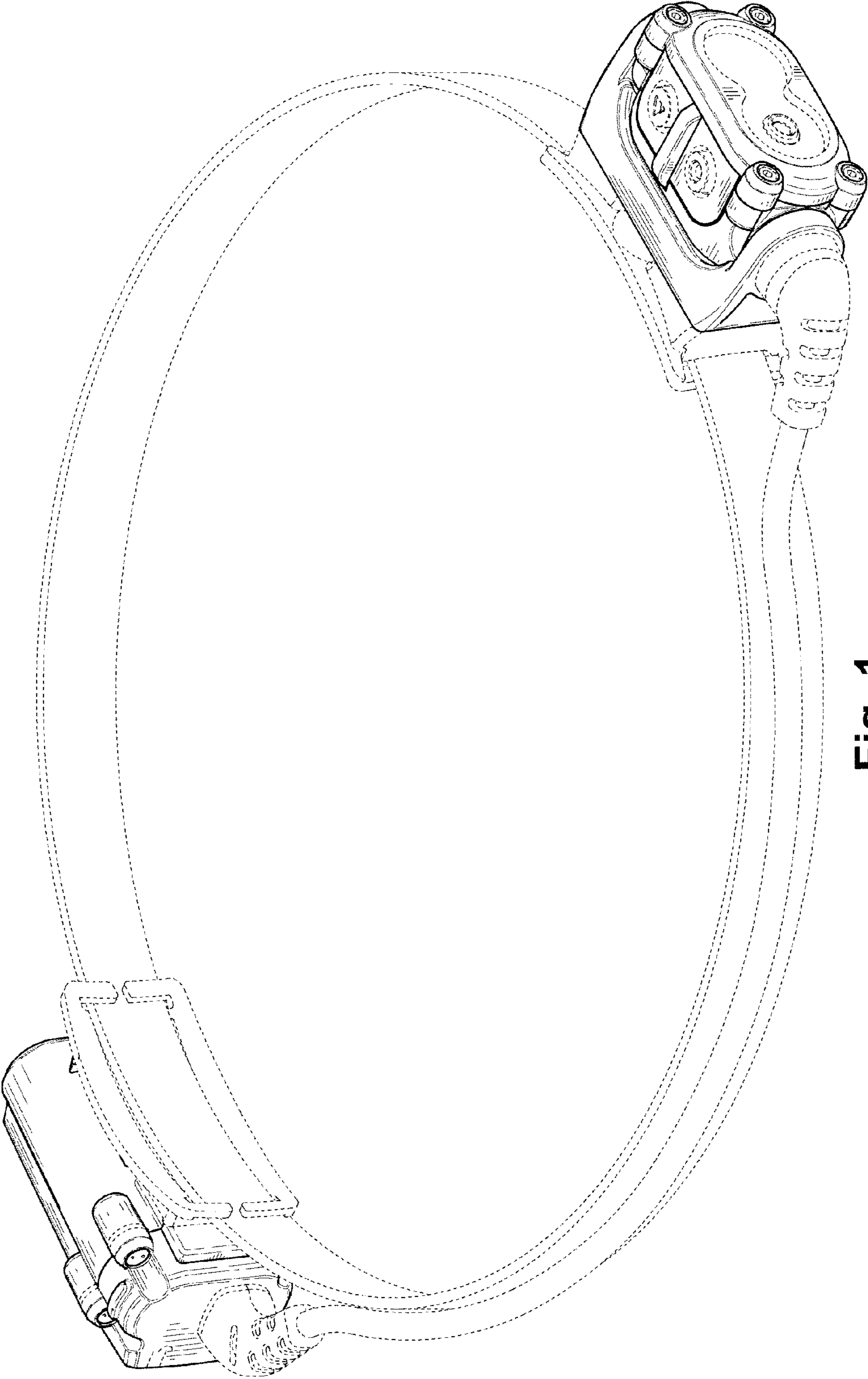


Fig. 1

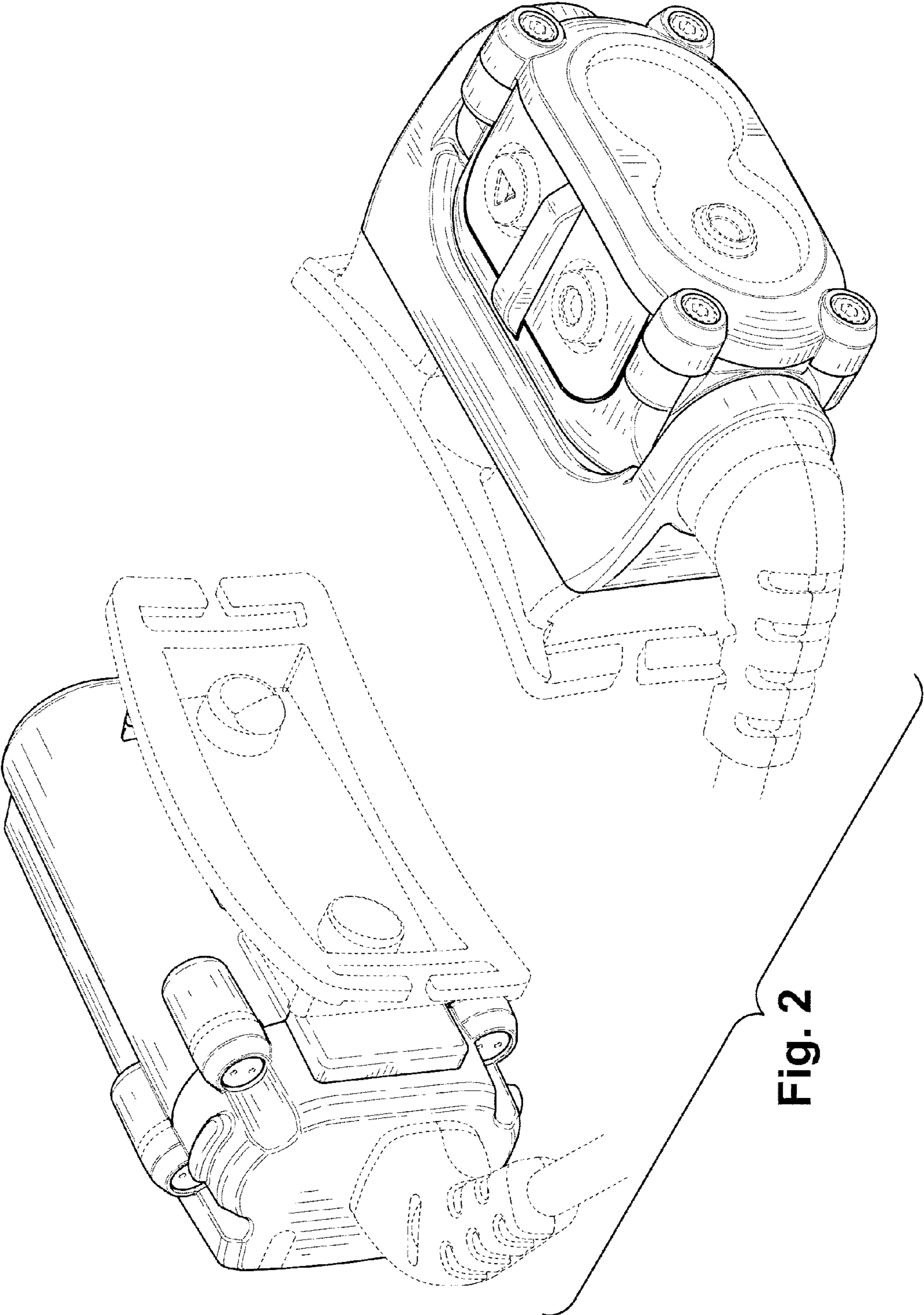


Fig. 2



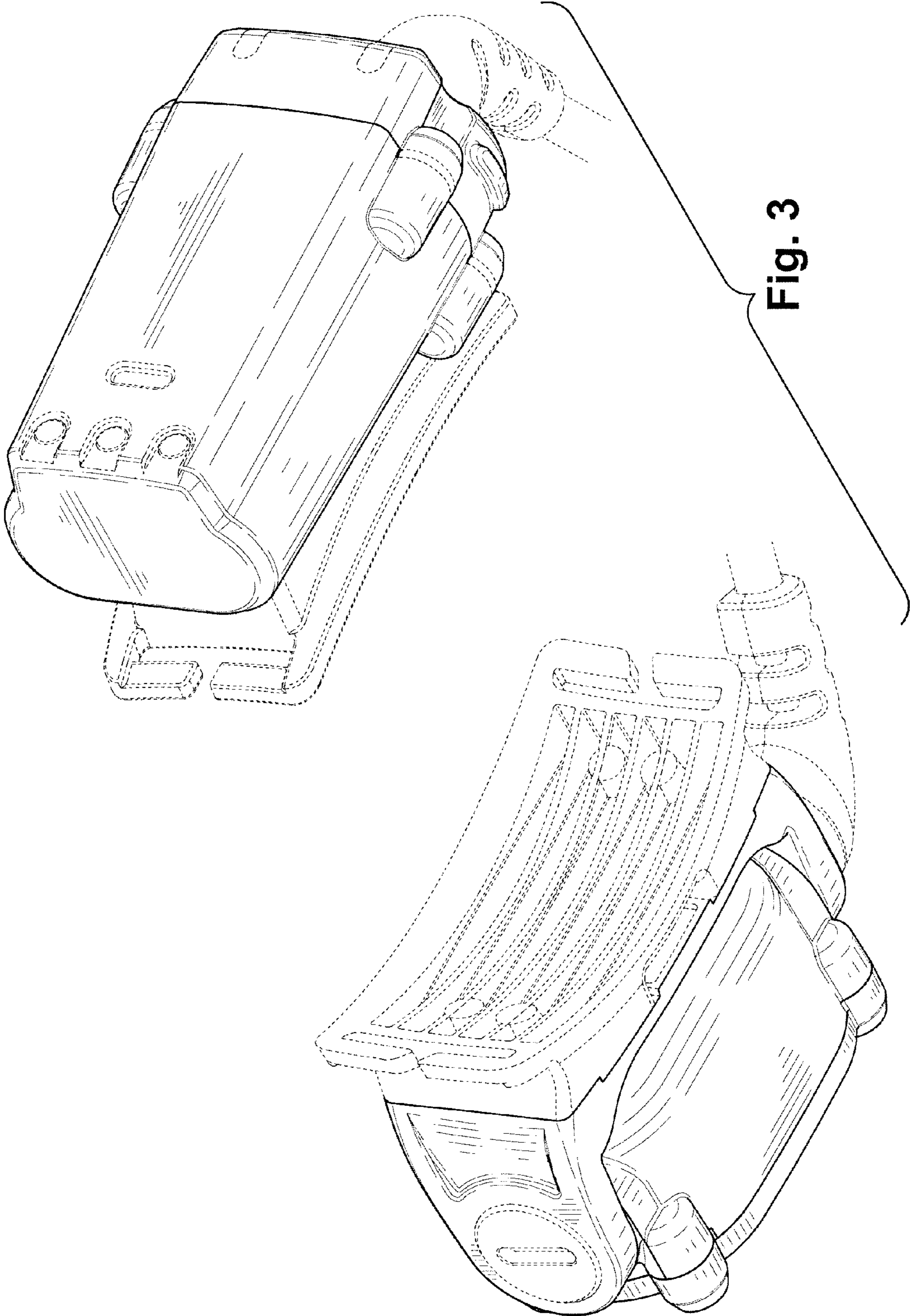


Fig. 3

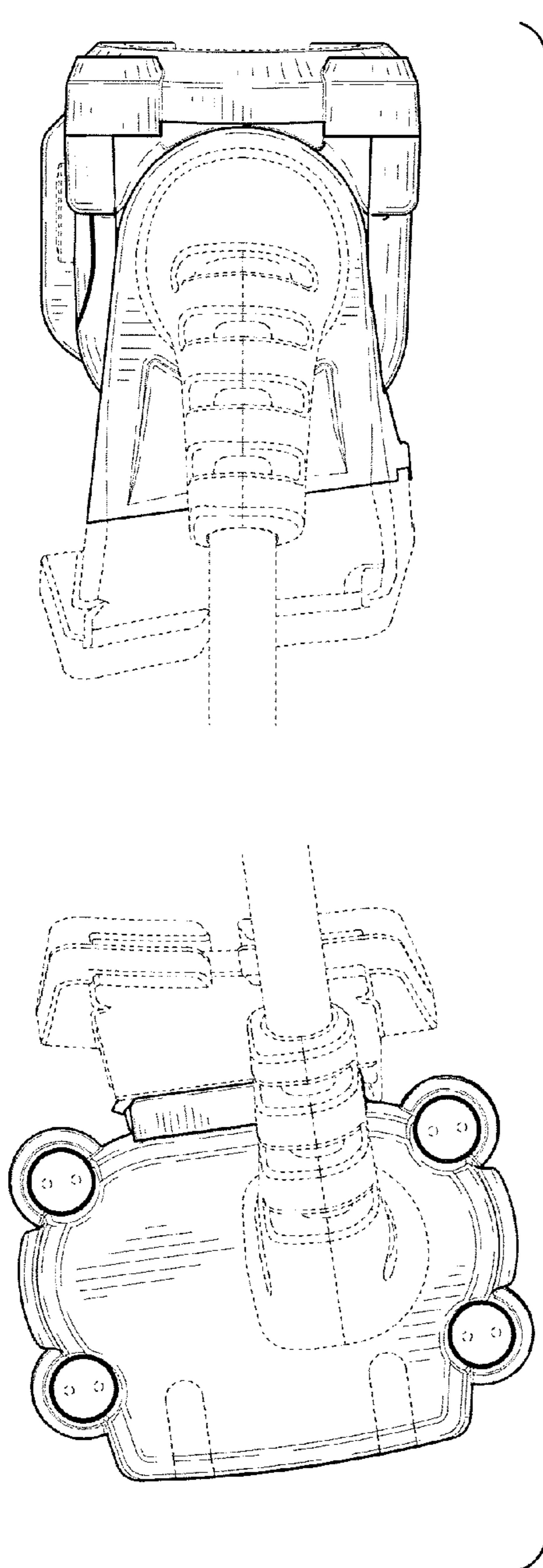


Fig. 4

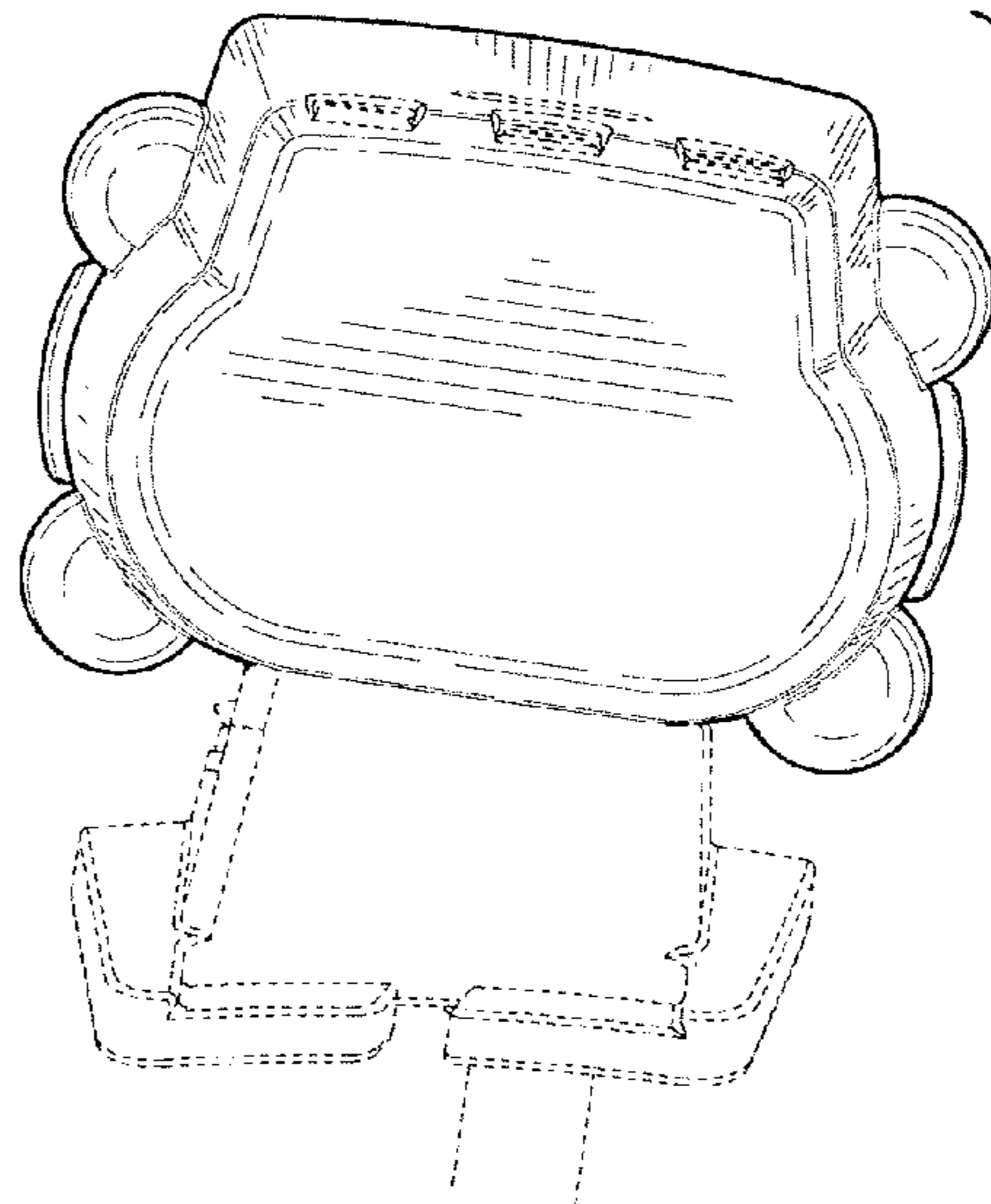
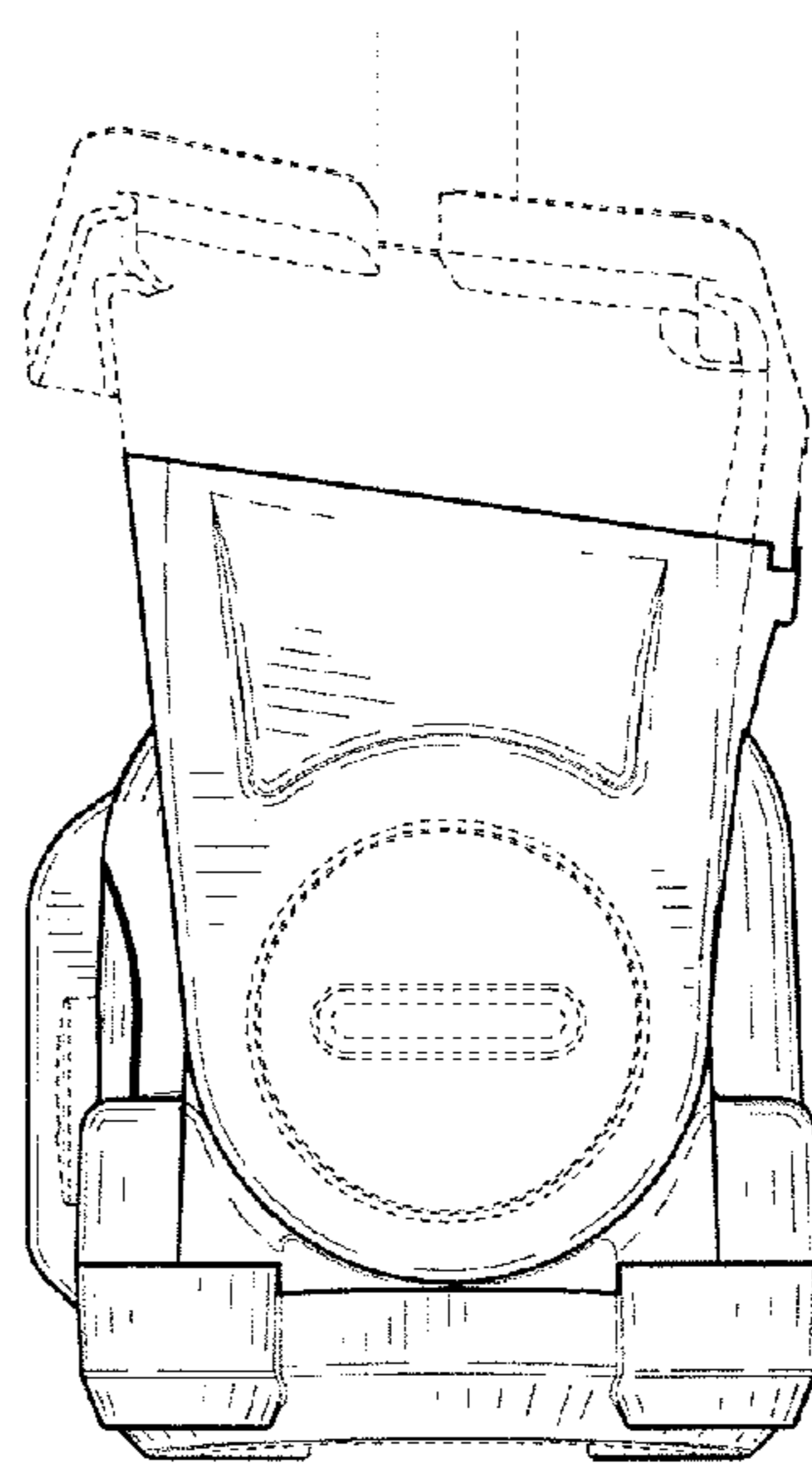


Fig. 5



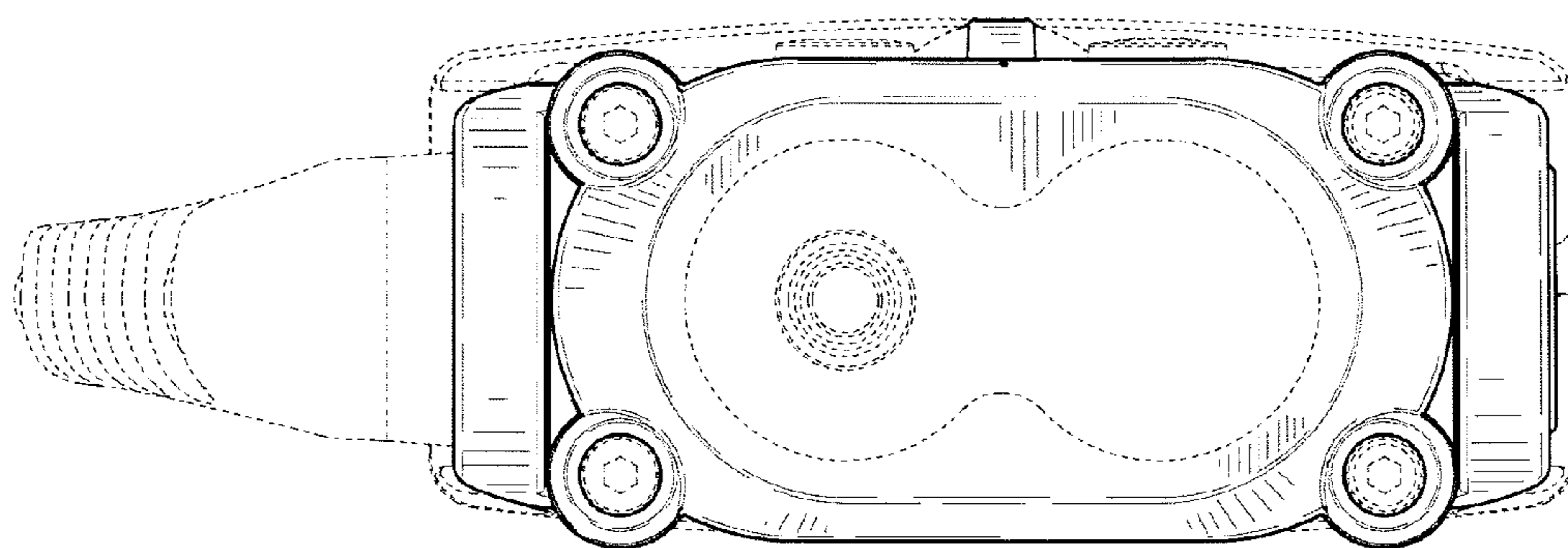


Fig. 6

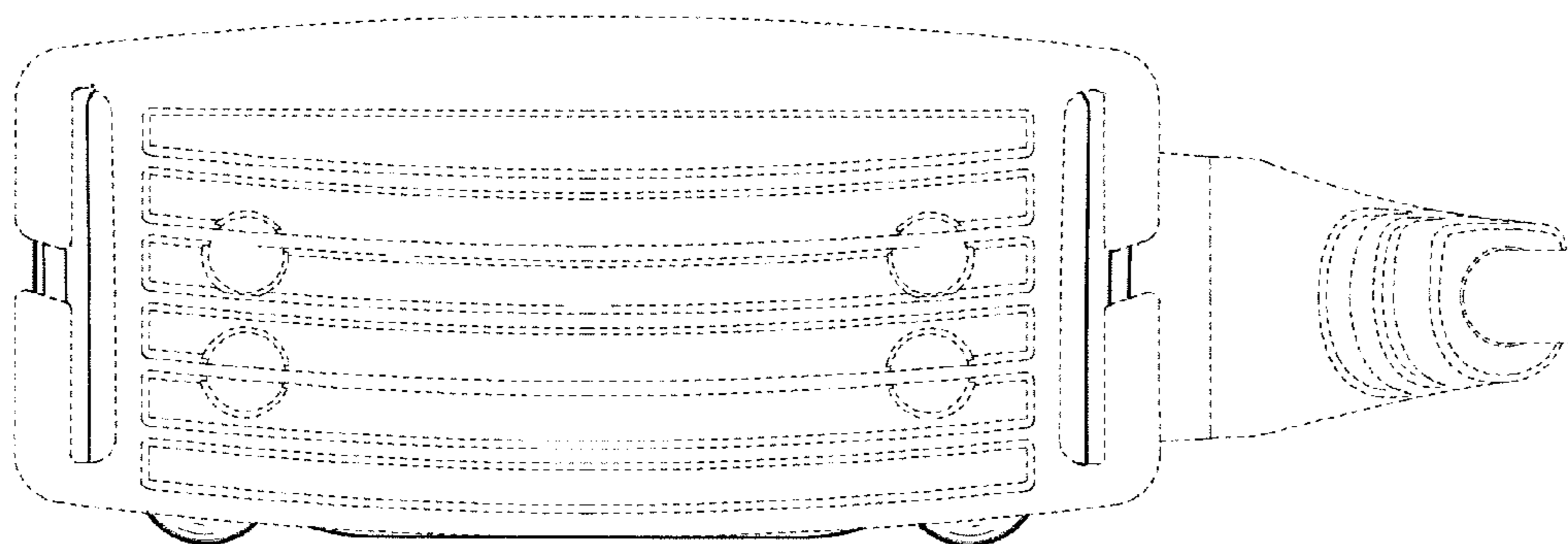


Fig. 7

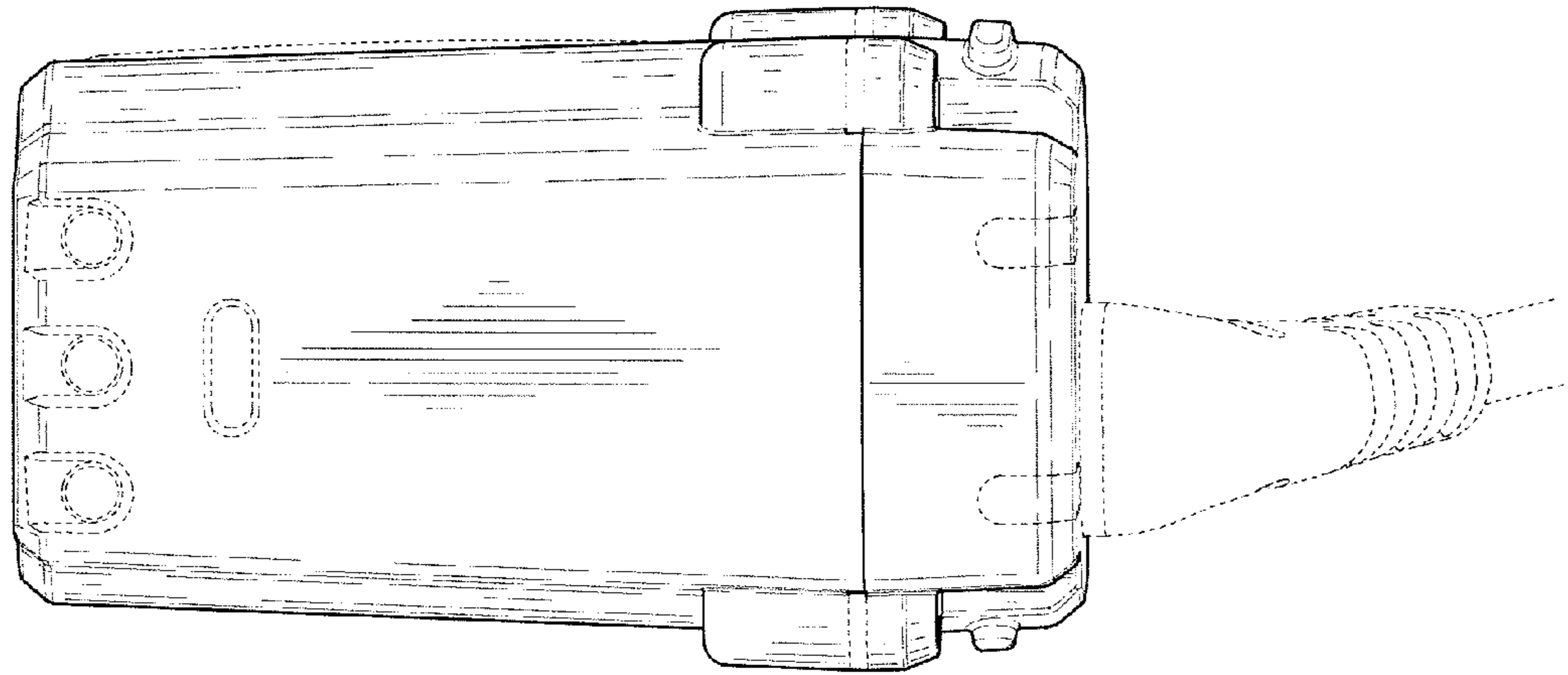


Fig. 8

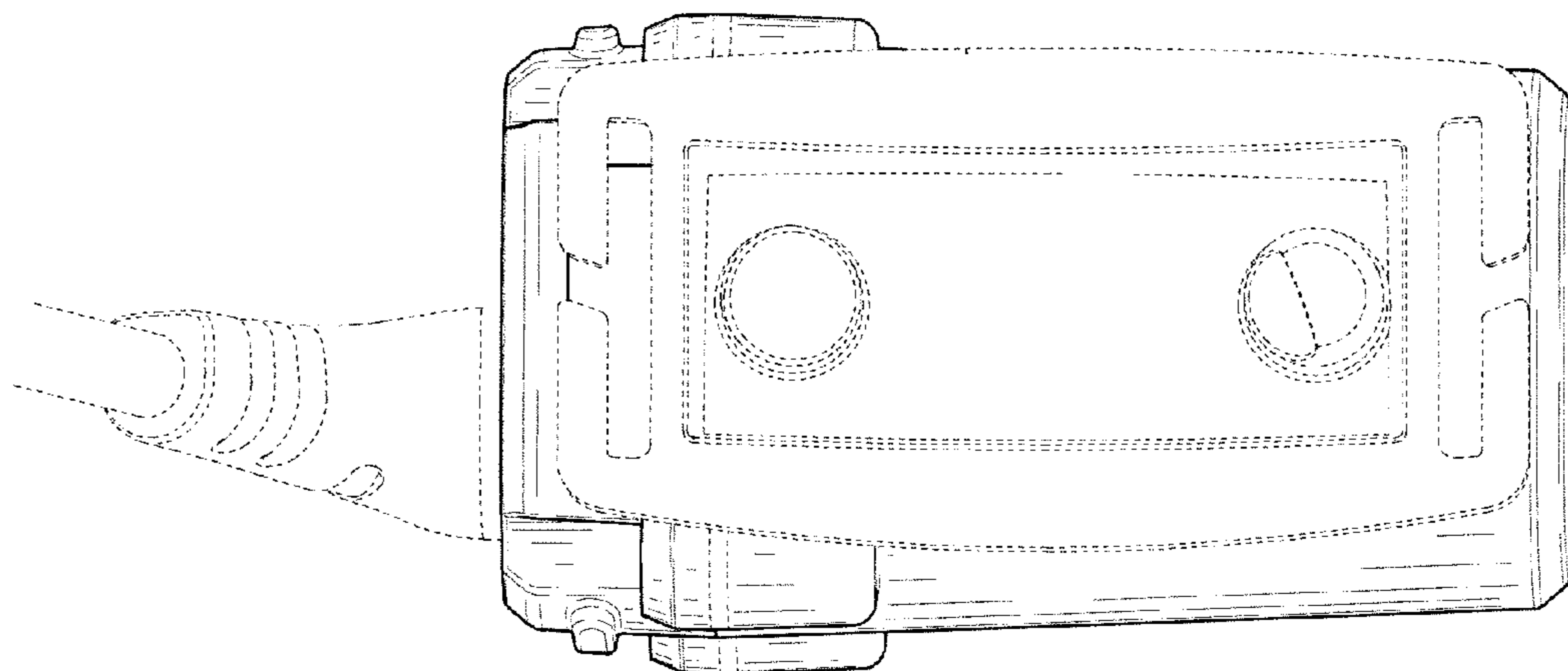


Fig. 9



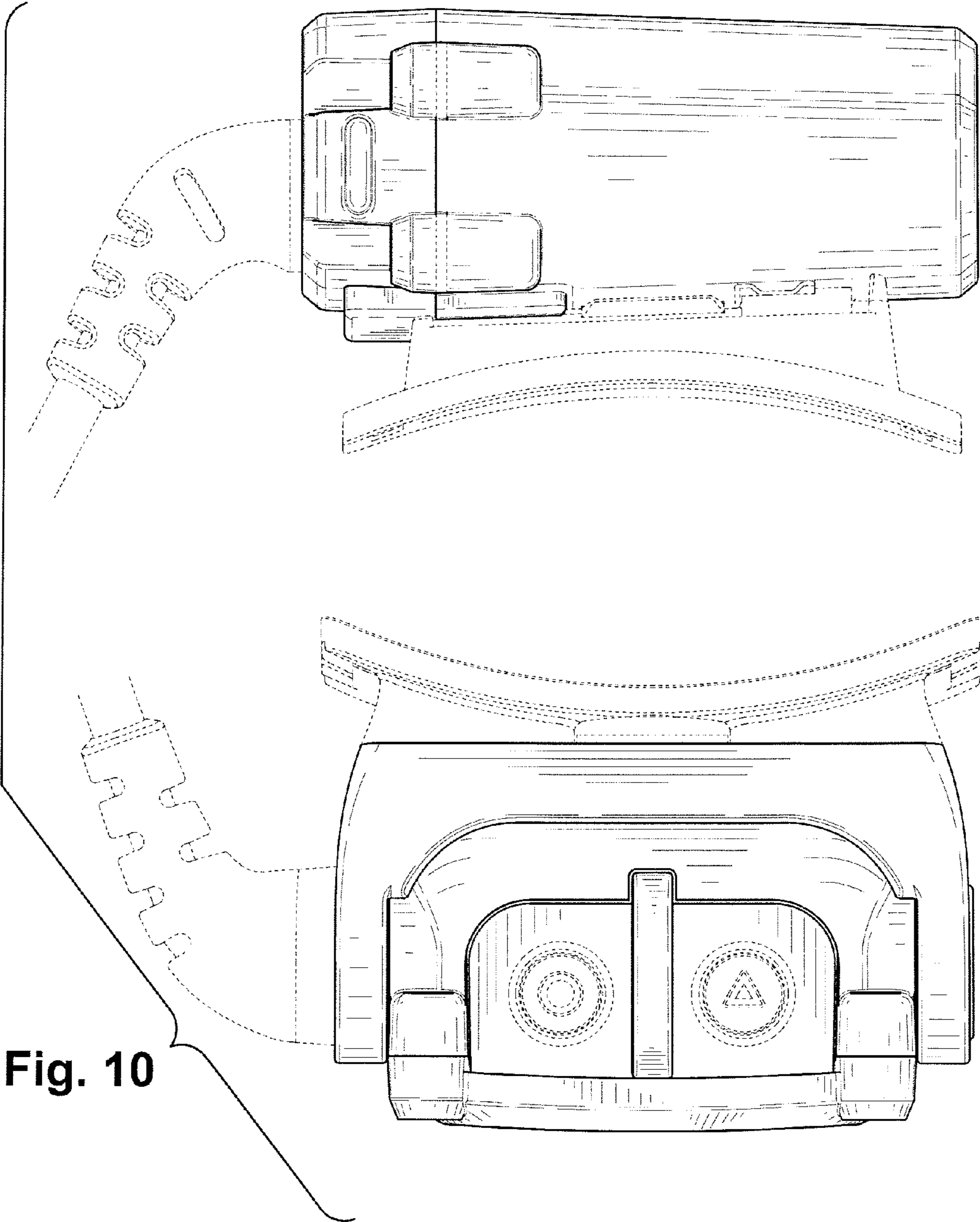


Fig. 10



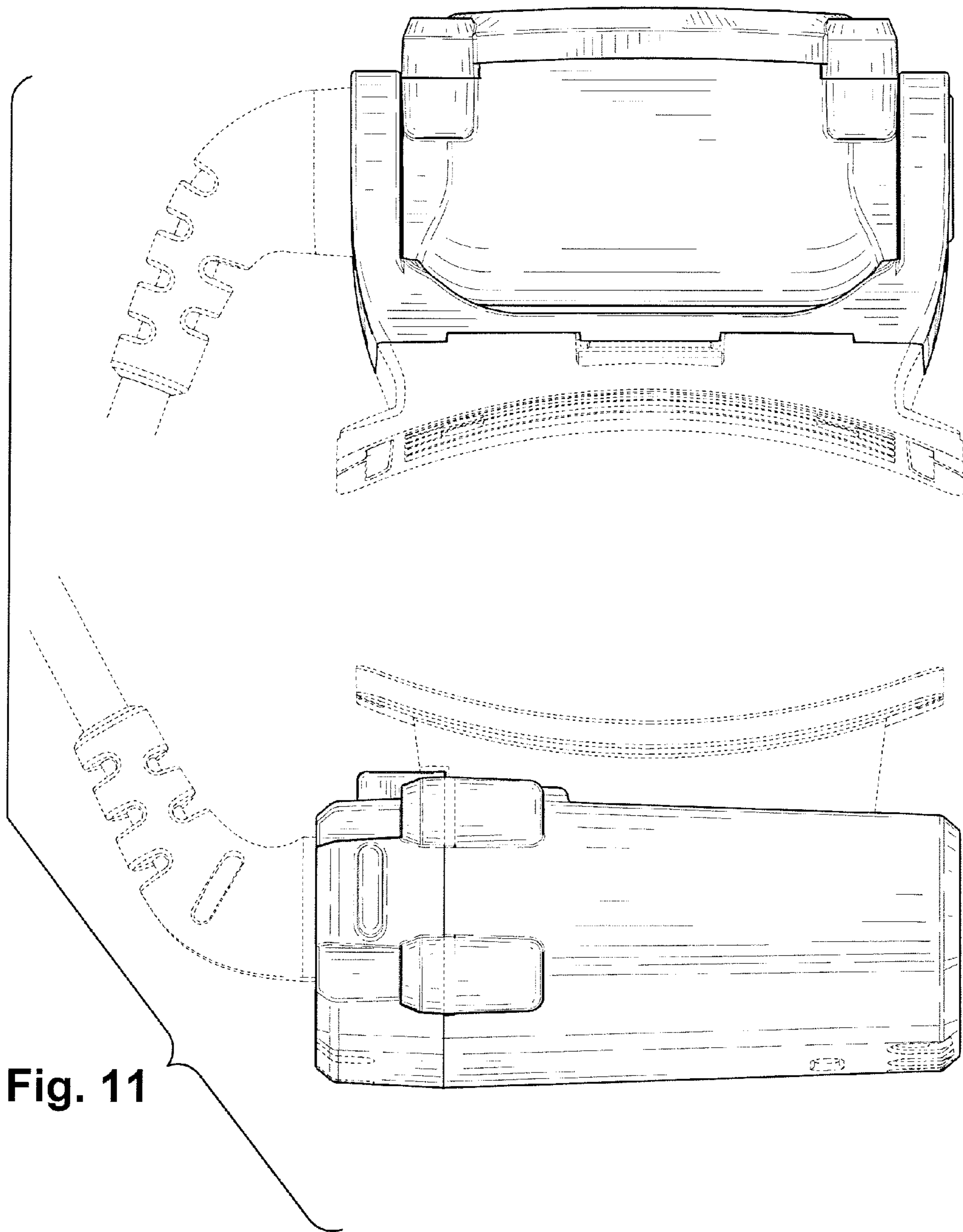


Fig. 11