



US00D696802S

(12) **United States Design Patent**  
**Iida**

(10) **Patent No.:** **US D696,802 S**  
(45) **Date of Patent:** **\*\* Dec. 31, 2013**

(54) **FRONT COMBINATION LAMP FOR AN AUTOMOBILE**

(71) Applicant: **Hideaki Iida**, London (GB)

(72) Inventor: **Hideaki Iida**, London (GB)

(73) Assignee: **Toyota Jidosha Kabushiki Kaisha**,  
Toyota-shi, Aichi-ken (JP)

(\*\*) Term: **14 Years**

(21) Appl. No.: **29/444,080**

(22) Filed: **Jan. 25, 2013**

(30) **Foreign Application Priority Data**

Jul. 27, 2012 (JP) ..... 2012-017842  
Jul. 27, 2012 (JP) ..... 2012-017854

(51) **LOC (9) Cl.** ..... **26-06**

(52) **U.S. Cl.**  
USPC ..... **D26/28**

(58) **Field of Classification Search**  
USPC ..... D26/28-36; 362/459-468, 475-478,  
362/485-487  
See application file for complete search history.

(56) **References Cited**

**U.S. PATENT DOCUMENTS**

D538,956 S \* 3/2007 Ishii ..... D26/28  
D544,614 S \* 6/2007 Markefka ..... D26/28  
D561,358 S \* 2/2008 Tachibana ..... D26/28  
D570,007 S \* 5/2008 Hsu ..... D26/28  
D582,587 S \* 12/2008 Yang ..... D26/28  
D593,232 S \* 5/2009 Koman et al. .... D26/28  
D635,694 S \* 4/2011 Yang et al. .... D26/28

**OTHER PUBLICATIONS**

Newcarshow.com; URL: [http://www.netcarshow.com/hyundai/2013-genesis\\_coupe/](http://www.netcarshow.com/hyundai/2013-genesis_coupe/); Mfg.: Hyundai; Model: Hyundai Genesis Coupe (2013); available on at least Jan. 26, 2012.

Newcarshow.com; URL: [http://www.netcarshow.com/subaru/2004-legacy\\_sedan/](http://www.netcarshow.com/subaru/2004-legacy_sedan/); Mfg.: Subaru; Model: Subaru Legacy Sedan (2004); available on at least Jan. 26, 2012.

Newcarshow.com; URL: [http://www.netcarshow.com/lexus/2011-ct\\_200h/800x600/wallpaper\\_44.htm](http://www.netcarshow.com/lexus/2011-ct_200h/800x600/wallpaper_44.htm); Mfg.: Lexus; Model: Lexus CT 200h (2011); available on at least Jan. 26, 2012.

Newcarshow.com; URL: [http://www.netcarshow.com/lexus/2013-gs\\_450h/800x600/wallpaper\\_32.htm](http://www.netcarshow.com/lexus/2013-gs_450h/800x600/wallpaper_32.htm); Mfg.: Lexus; Model: Lexus GS 450h (2013); available on at least Jan. 26, 2012.

\* cited by examiner

*Primary Examiner* — Marcus Jackson

(74) *Attorney, Agent, or Firm* — Finnegan, Henderson, Farabow, Garrett & Dunner, LLP

(57) **CLAIM**

The ornamental design for a front combination lamp for an automobile, as shown and described.

**DESCRIPTION**

FIG. 1 is a front perspective view of a first embodiment of a front combination lamp for an automobile showing my new design;

FIG. 2 is a front view thereof;

FIG. 3 is a rear view thereof;

FIG. 4 is a left side elevation view thereof;

FIG. 5 is a right side elevation view thereof;

FIG. 6 is a top plan view thereof;

FIG. 7 is a bottom view thereof;

FIG. 8 is a front perspective view of a second embodiment of my design;

FIG. 9 is a front view thereof;

FIG. 10 is a rear view thereof;

FIG. 11 is a left side elevation view thereof;

FIG. 12 is a right side elevation view thereof;

FIG. 13 is a top plan view thereof; and,

FIG. 14 is a bottom view thereof.

My design includes mirror images of the embodiments depicted.

**1 Claim, 8 Drawing Sheets**

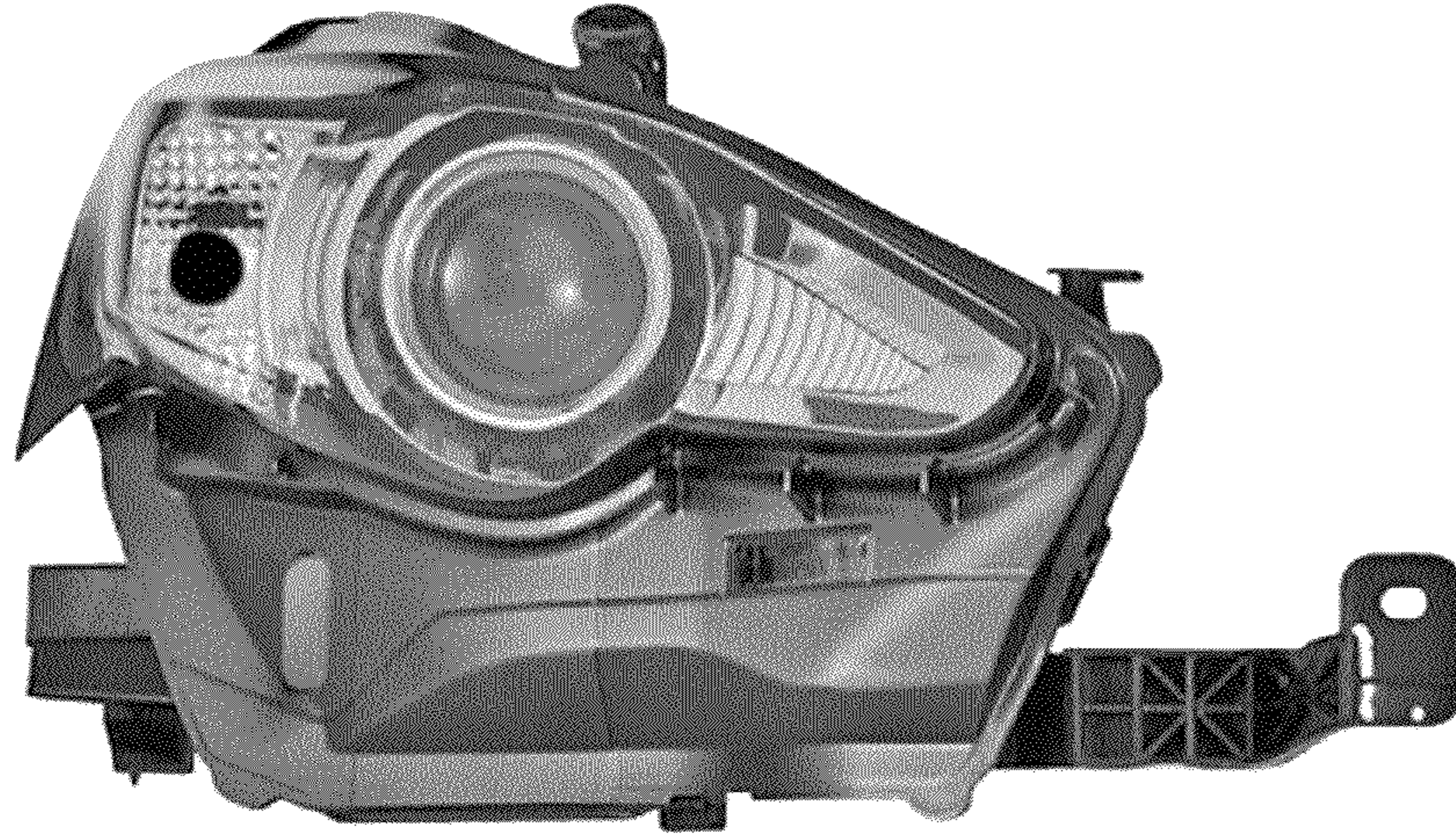




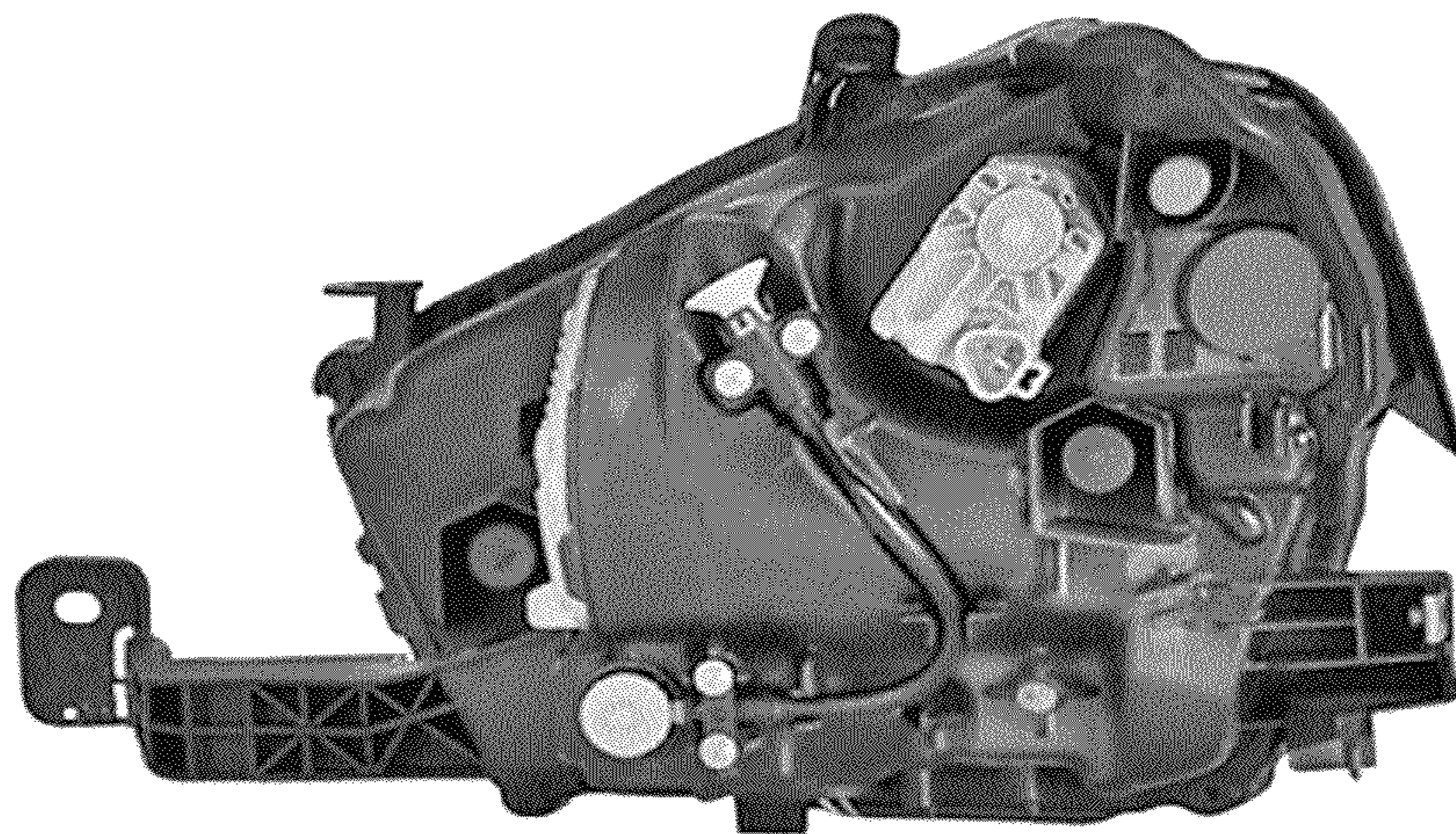


**FIG. 1**



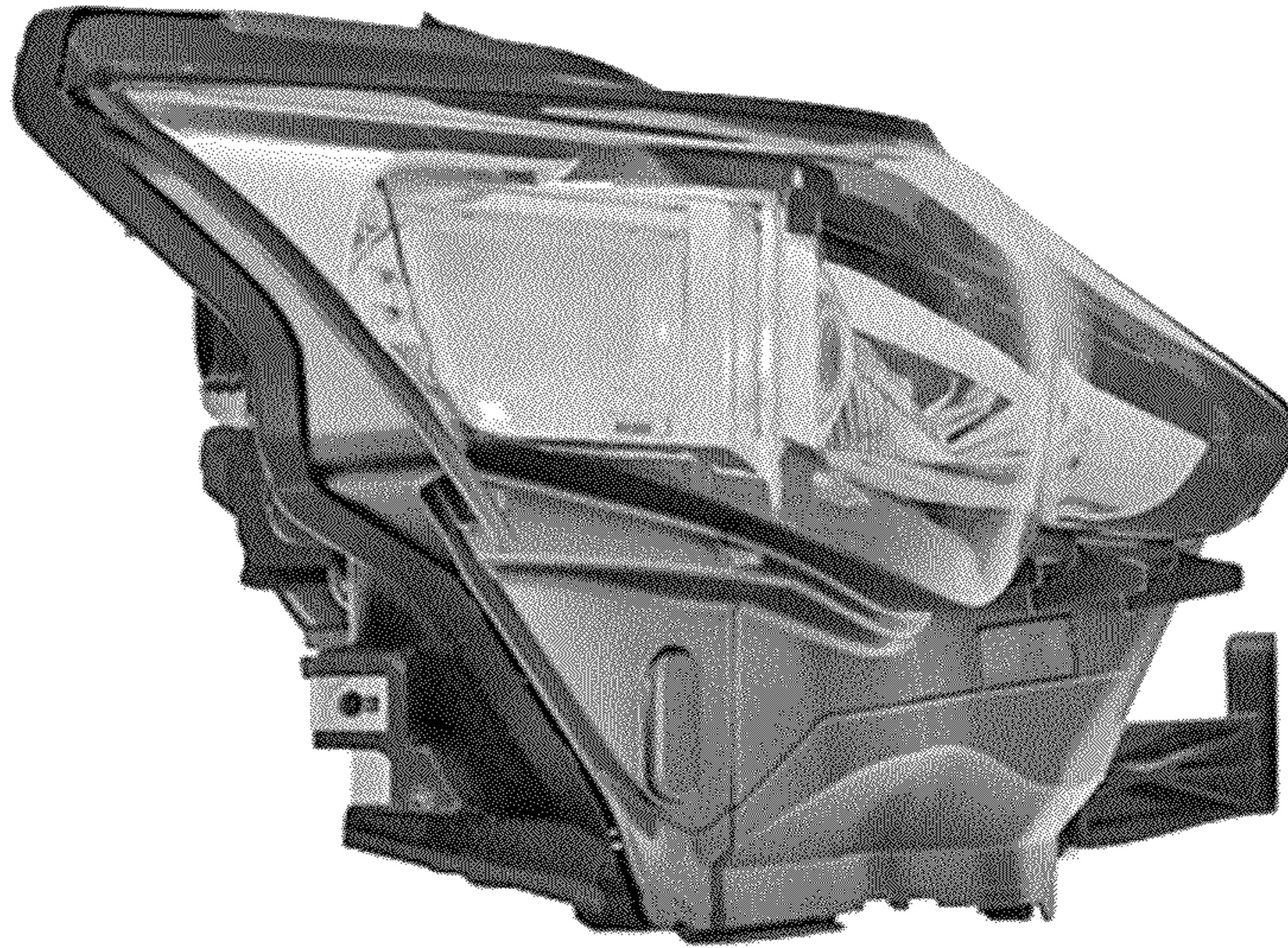


**FIG. 2**

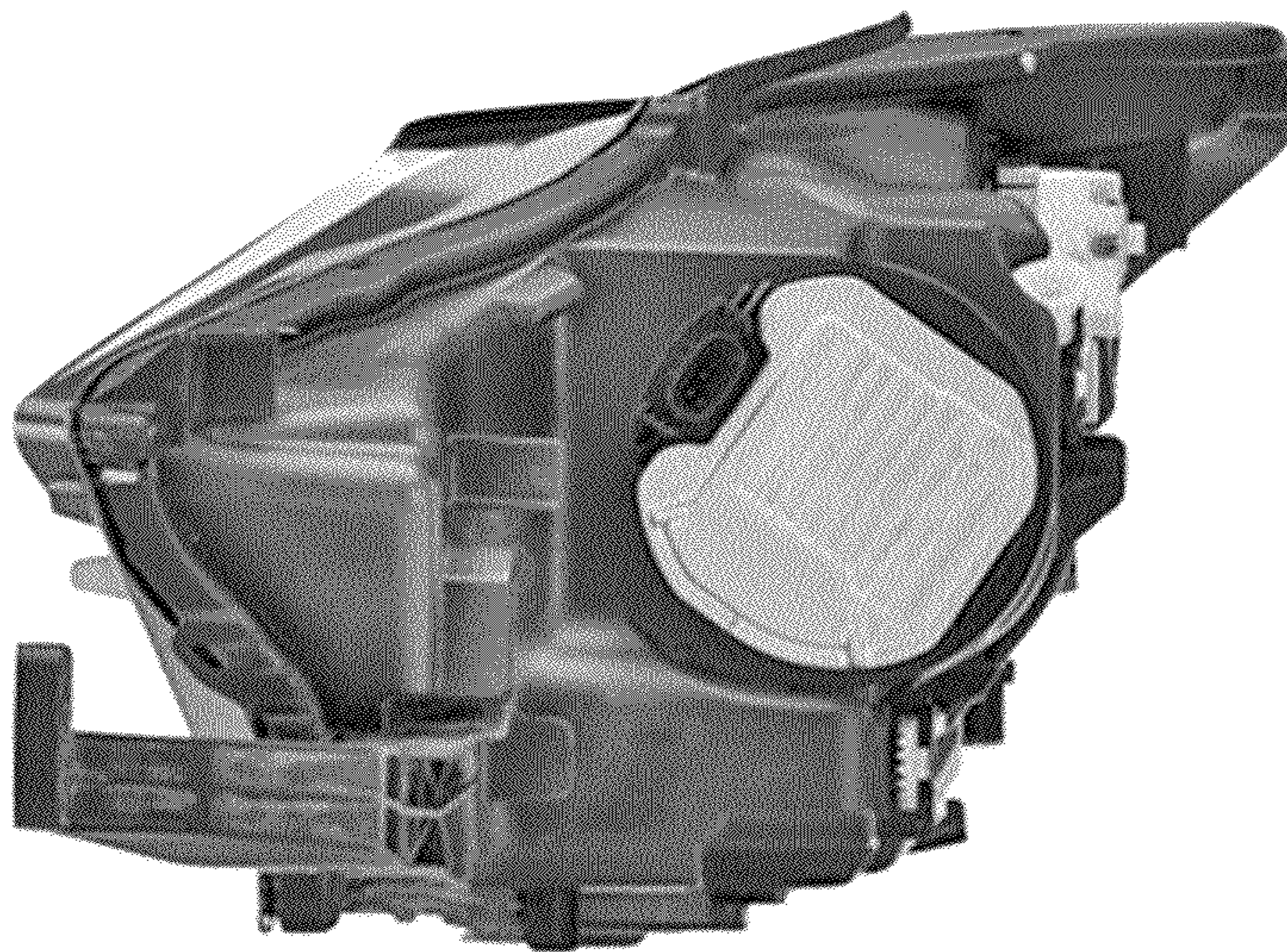


**FIG. 3**



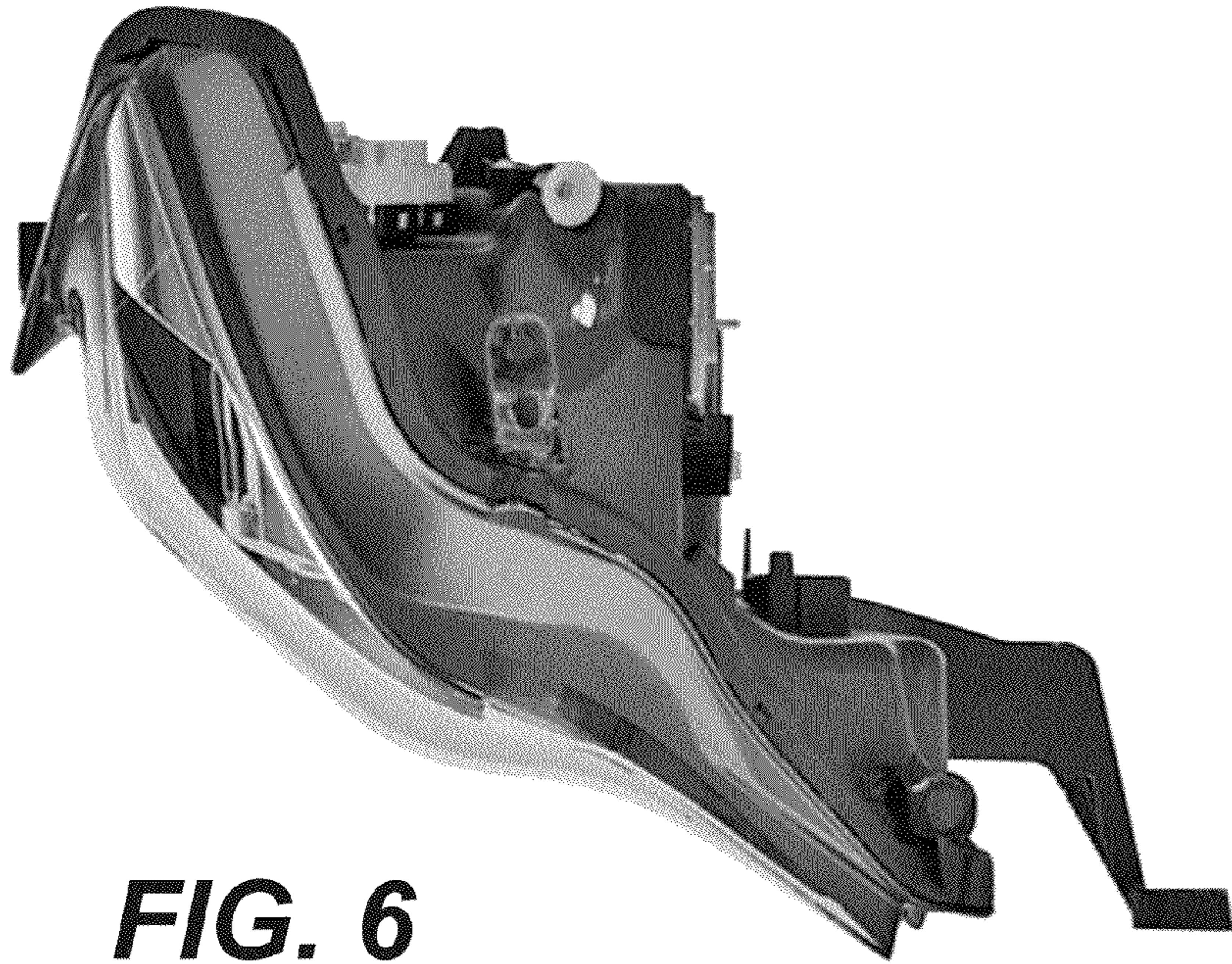


**FIG. 4**

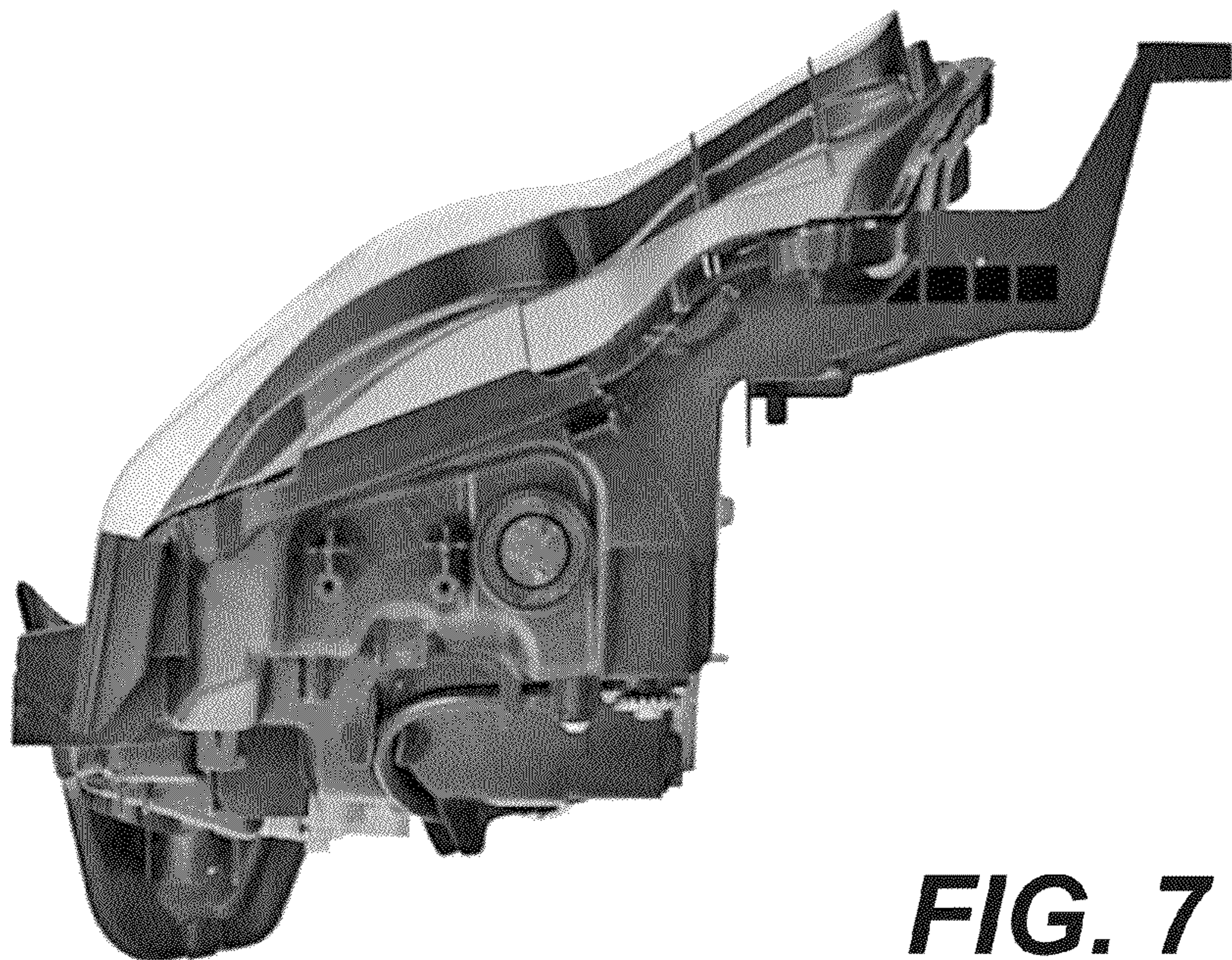


**FIG. 5**





**FIG. 6**



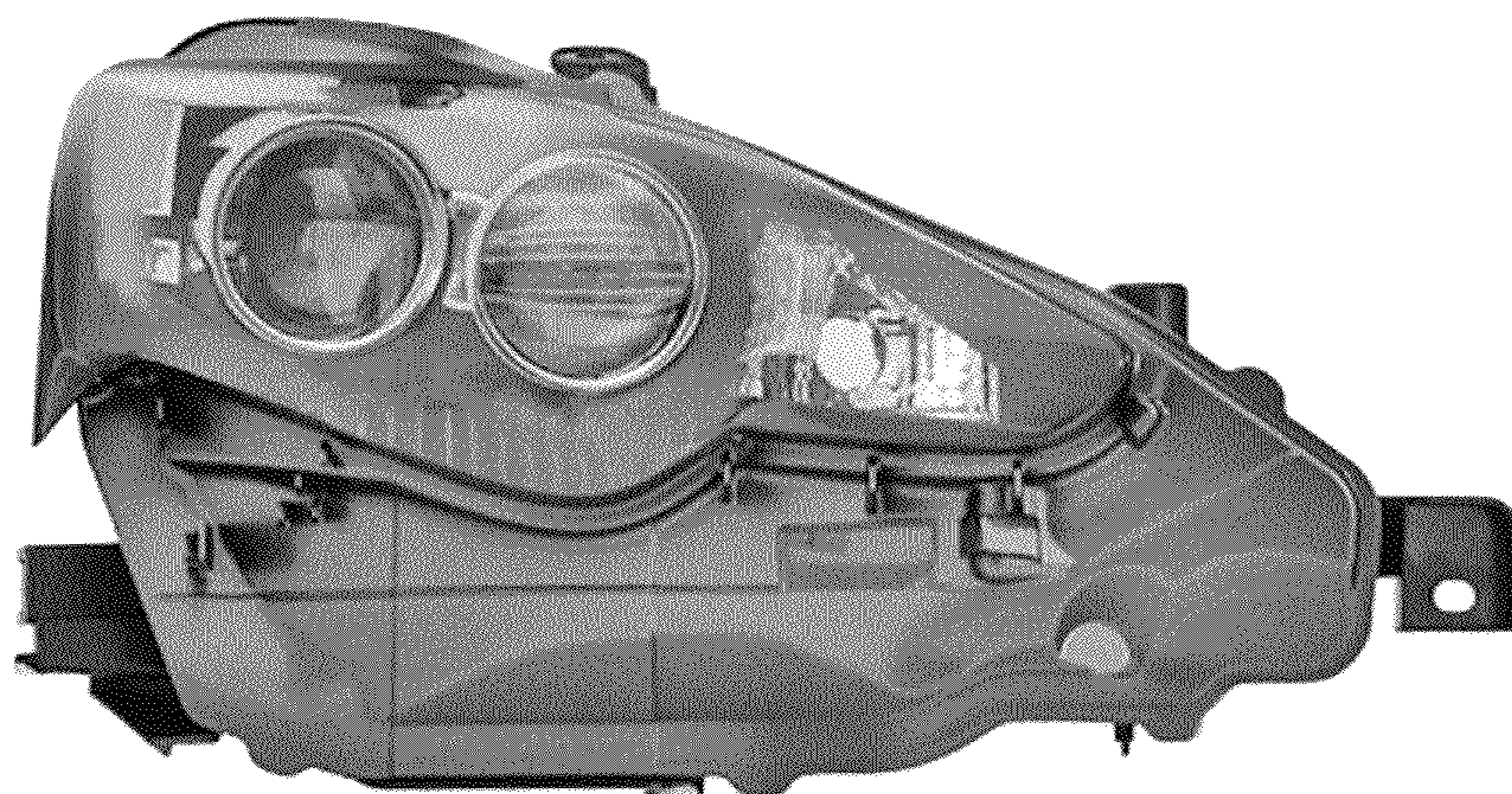
**FIG. 7**



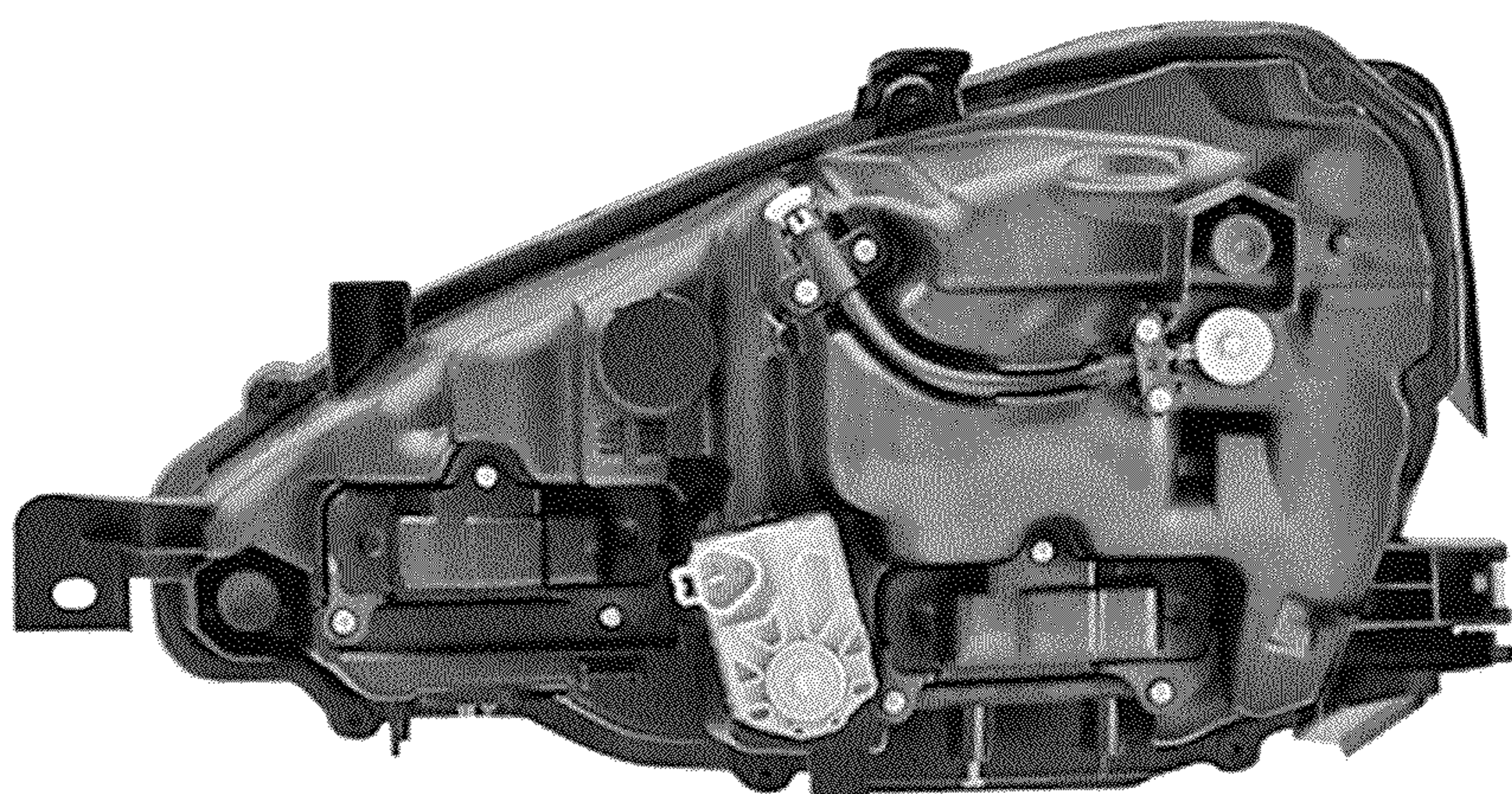


**FIG. 8**



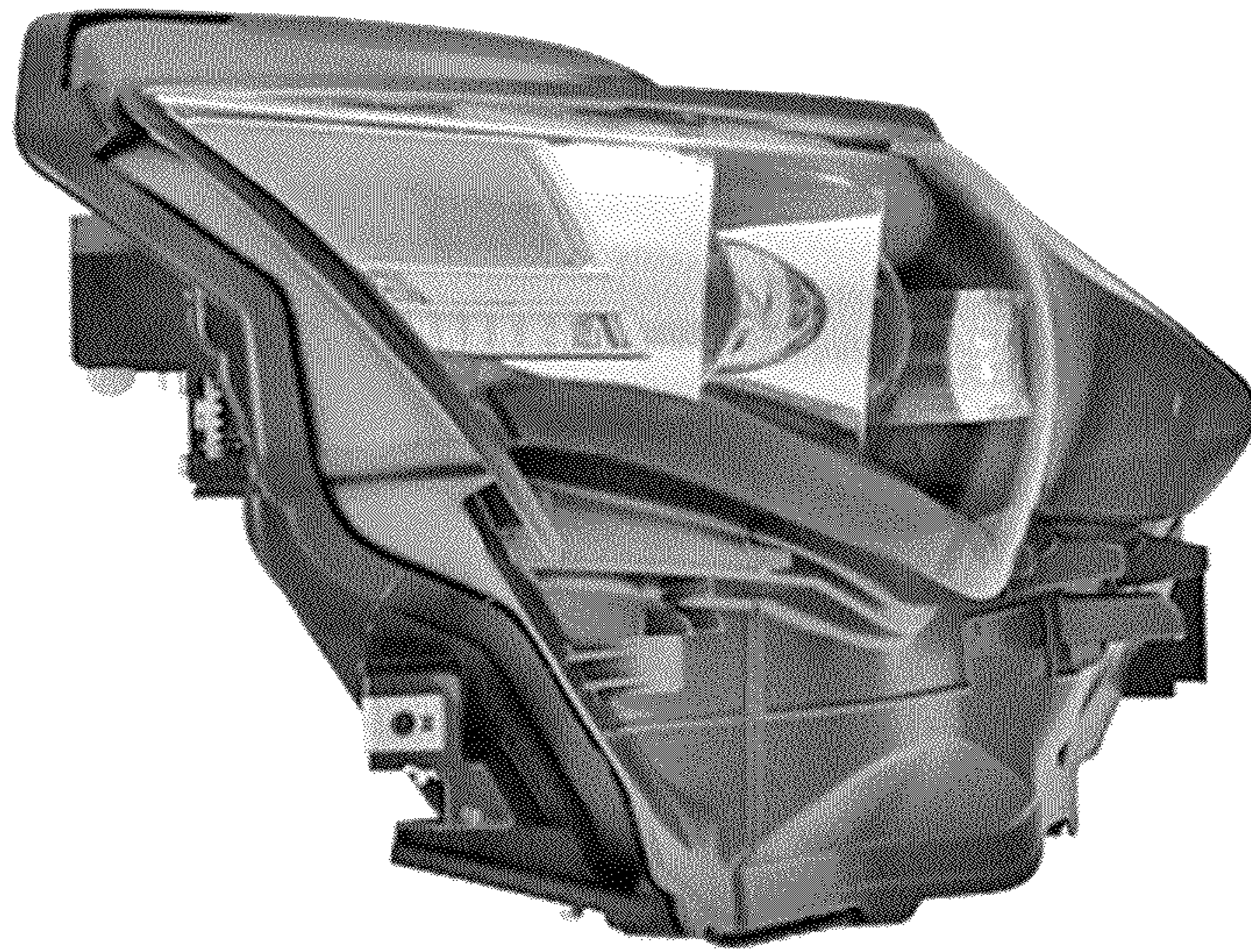


**FIG. 9**

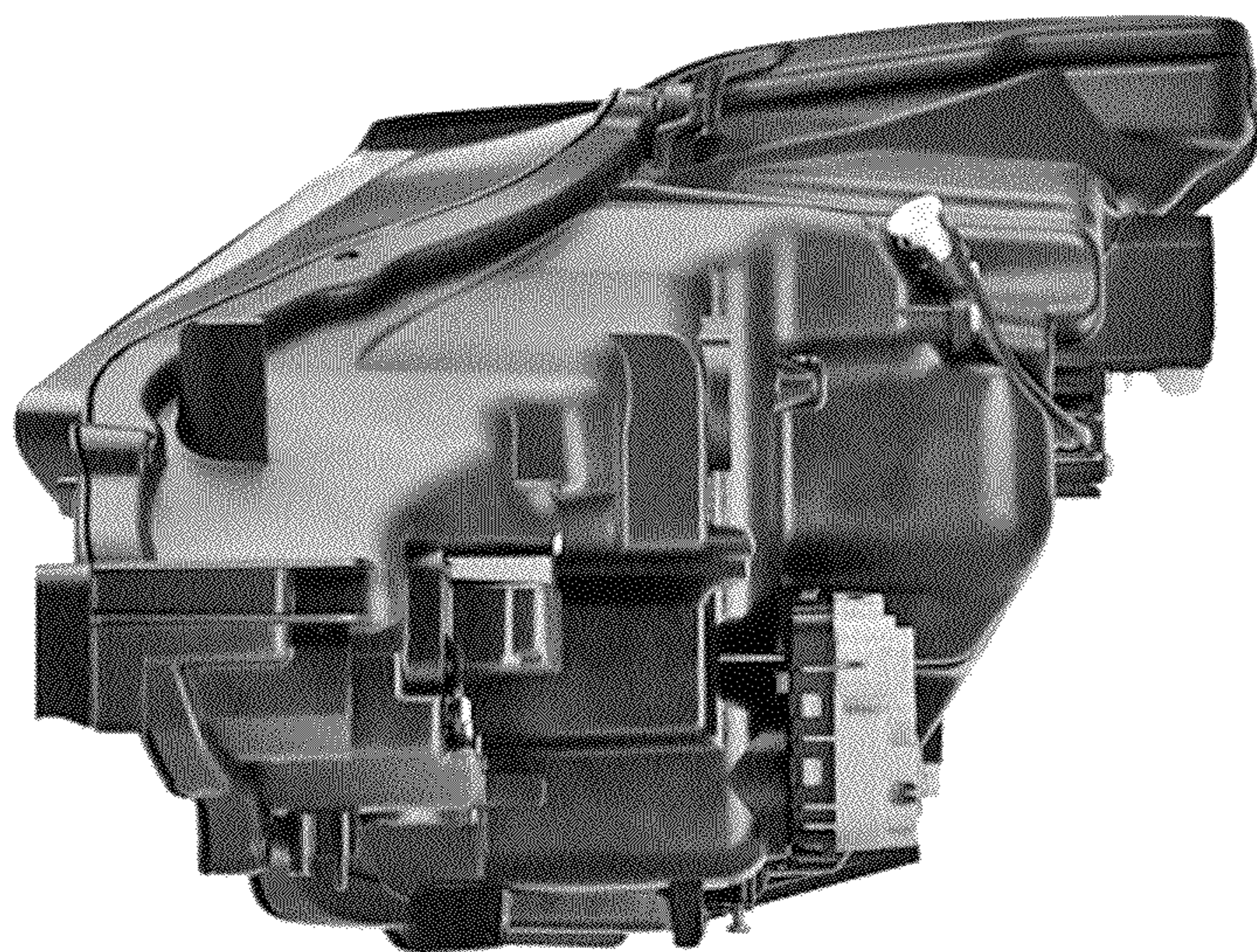


**FIG. 10**



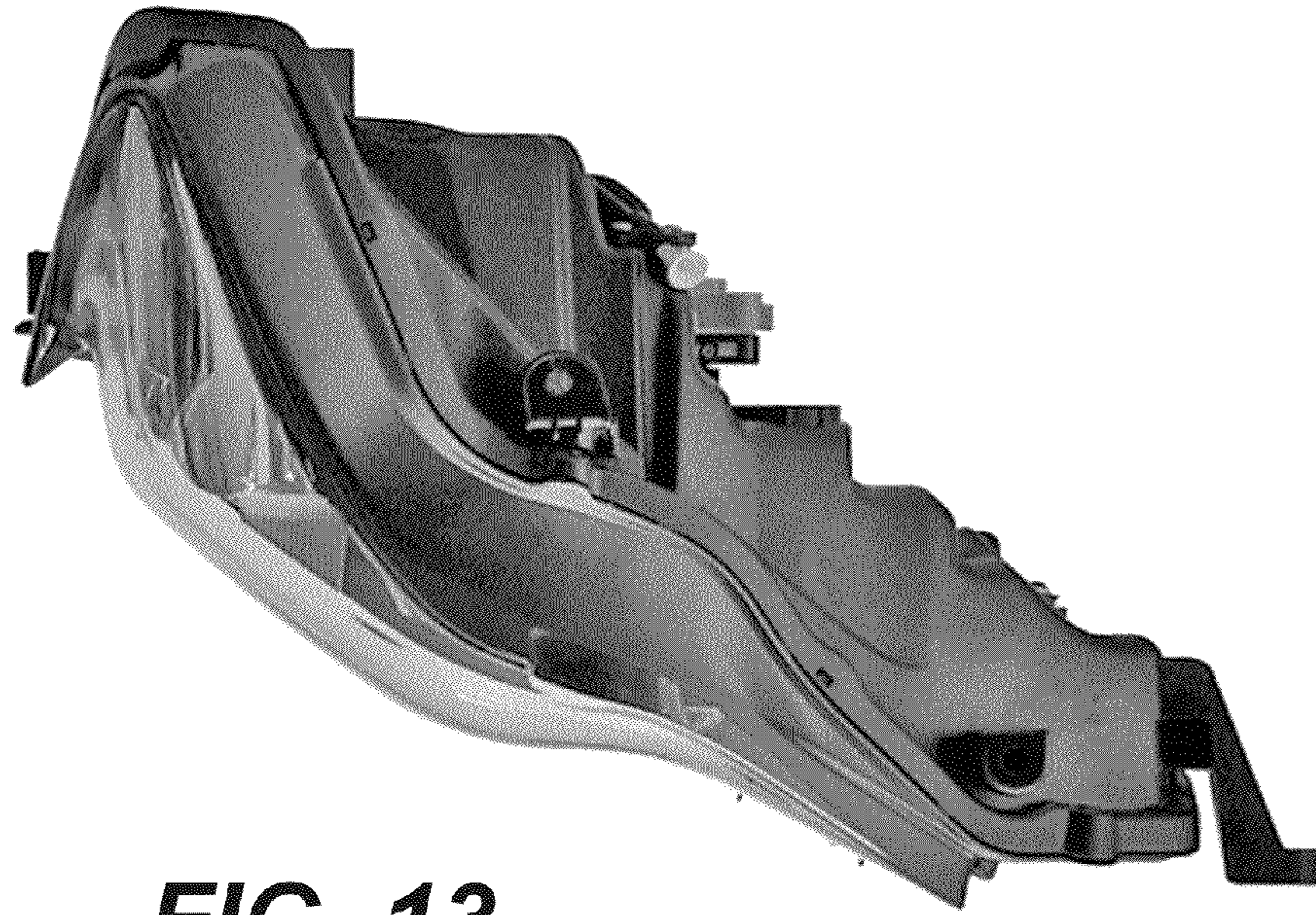


**FIG. 11**

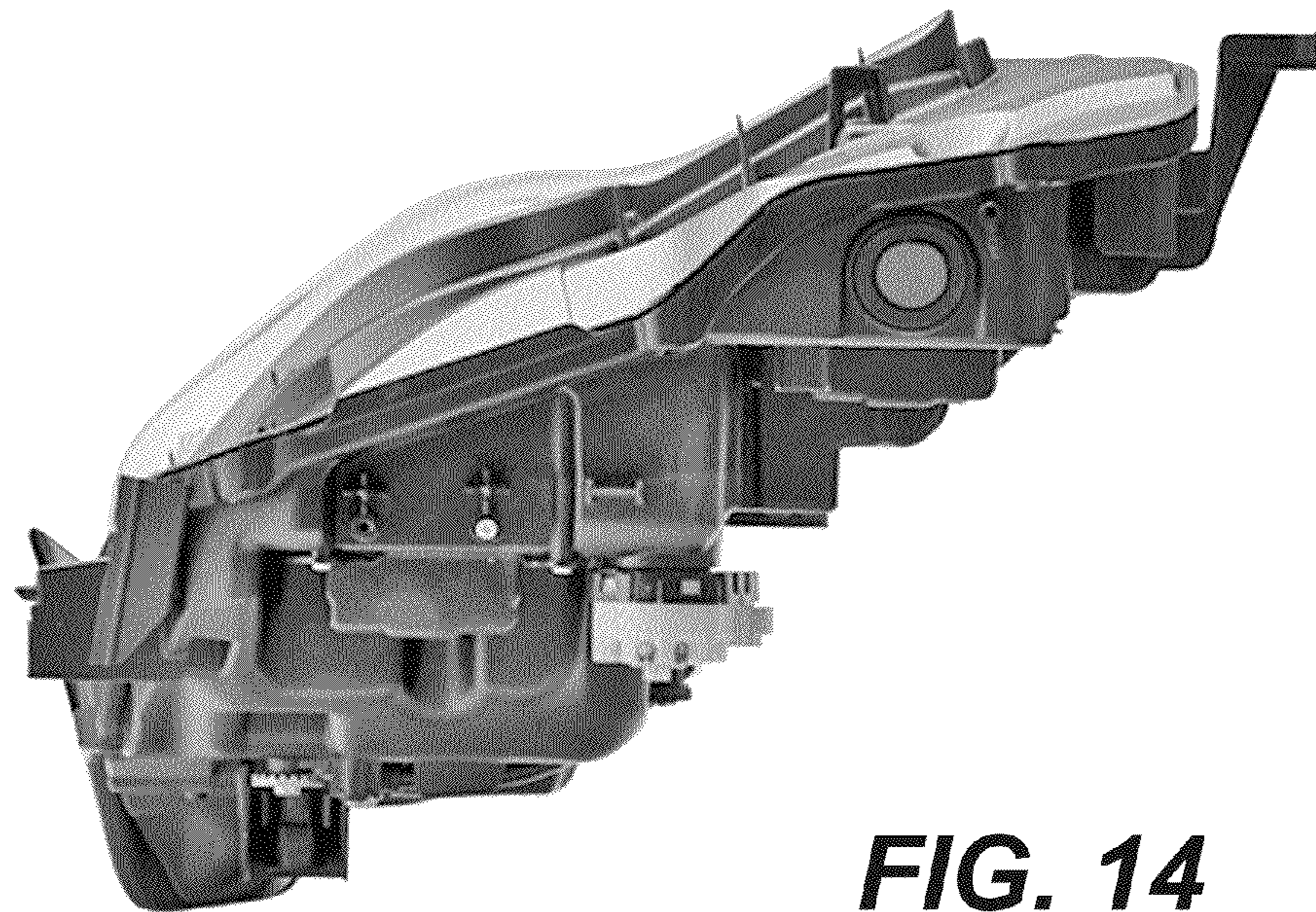


**FIG. 12**





**FIG. 13**



**FIG. 14**