



US00D696800S

(12) **United States Design Patent**
Pickard et al.

(10) **Patent No.:** **US D696,800 S**

(45) **Date of Patent:** **** Dec. 31, 2013**

(54) **LAMP**

(71) Applicant: **Cree, Inc.**, Durham, NC (US)

(72) Inventors: **Paul Kenneth Pickard**, Morrisville, NC (US); **Gerald H. Negley**, Chapel Hill, NC (US); **Mark Edmond**, Raleigh, NC (US)

(73) Assignee: **Cree, Inc.**, Durham, NC (US)

(**) Term: **14 Years**

(21) Appl. No.: **29/454,771**

(22) Filed: **May 14, 2013**

Related U.S. Application Data

(62) Division of application No. 29/398,047, filed on Jul. 26, 2011, now Pat. No. Des. 685,506.

(51) **LOC (9) Cl.** **26-04**

(52) **U.S. Cl.**
USPC **D26/2**

(58) **Field of Classification Search**
USPC D26/1-4; 313/313, 315, 316, 317, 318, 313/493; 315/52, 53, 56, 57, 58
See application file for complete search history.

(56) **References Cited**

U.S. PATENT DOCUMENTS

D508,575 S * 8/2005 Buschmann et al. D26/2
D528,227 S * 9/2006 Chou et al. D26/2
D531,741 S * 11/2006 Takahashi D26/2

D534,665 S * 1/2007 Egawa et al. D26/2
D538,953 S * 3/2007 Mama D26/2
D541,440 S * 4/2007 Feit D26/2
D654,193 S * 2/2012 Tong et al. D26/2
D685,506 S * 7/2013 Pickard et al. D26/2

OTHER PUBLICATIONS

U.S. Appl. No. 13/103,303, filed May 9, 2011.
U.S. Appl. No. 29/398,047, filed Jul. 26, 2011, now pending.

* cited by examiner

Primary Examiner — Marcus Jackson

(74) *Attorney, Agent, or Firm* — Steven B. Phillips; Moore & Van Allen PLLC

(57) **CLAIM**

We claim the ornamental design for a lamp, as shown and described.

DESCRIPTION

FIG. 1 is a perspective view showing an embodiment of our design for a lamp.

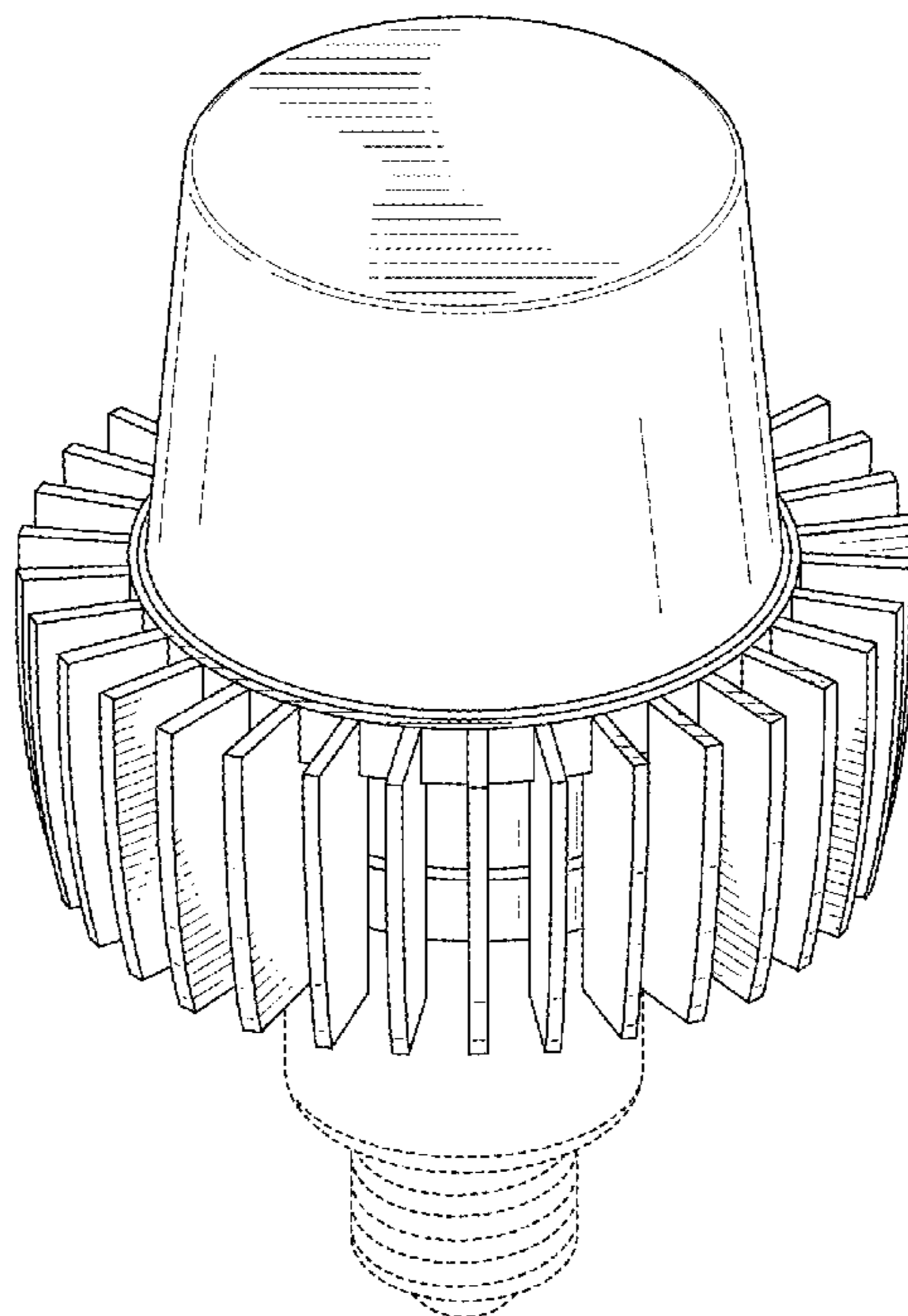
FIG. 2 is a side view of the embodiment of our design shown in FIG. 1. Since all sides of the lamp appear the same, save for broken line portions, which are directed to environmental features, this is the only side view shown.

FIG. 3 is a top view of the embodiment of our design shown in FIG. 1; and,

FIG. 4 is a bottom view of the embodiment of our design as shown in FIG. 1.

The broken line showing of the lower portions of the lamp is included for the purpose of illustrating only and forms no part of the claimed design.

1 Claim, 3 Drawing Sheets



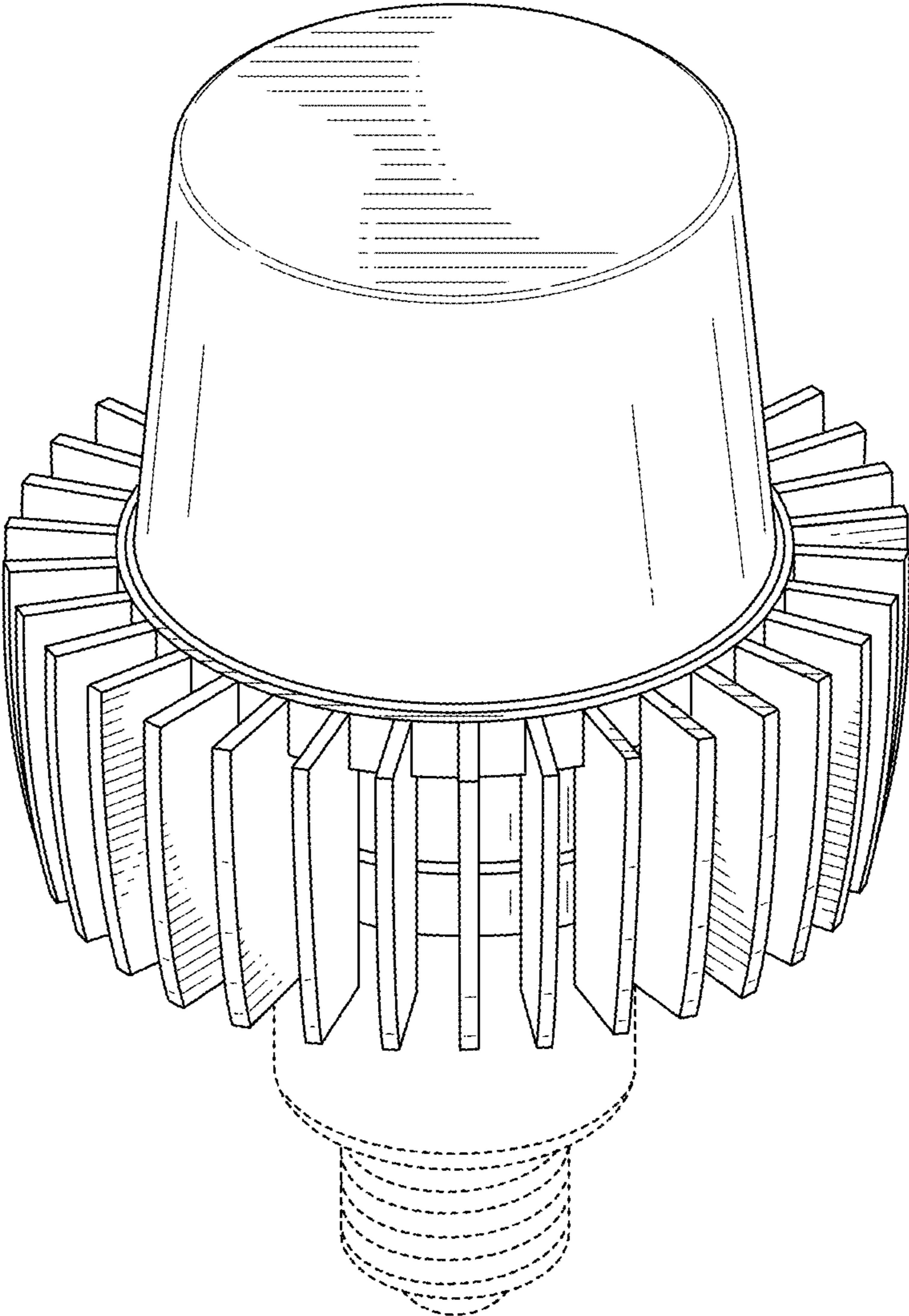


FIG. 1

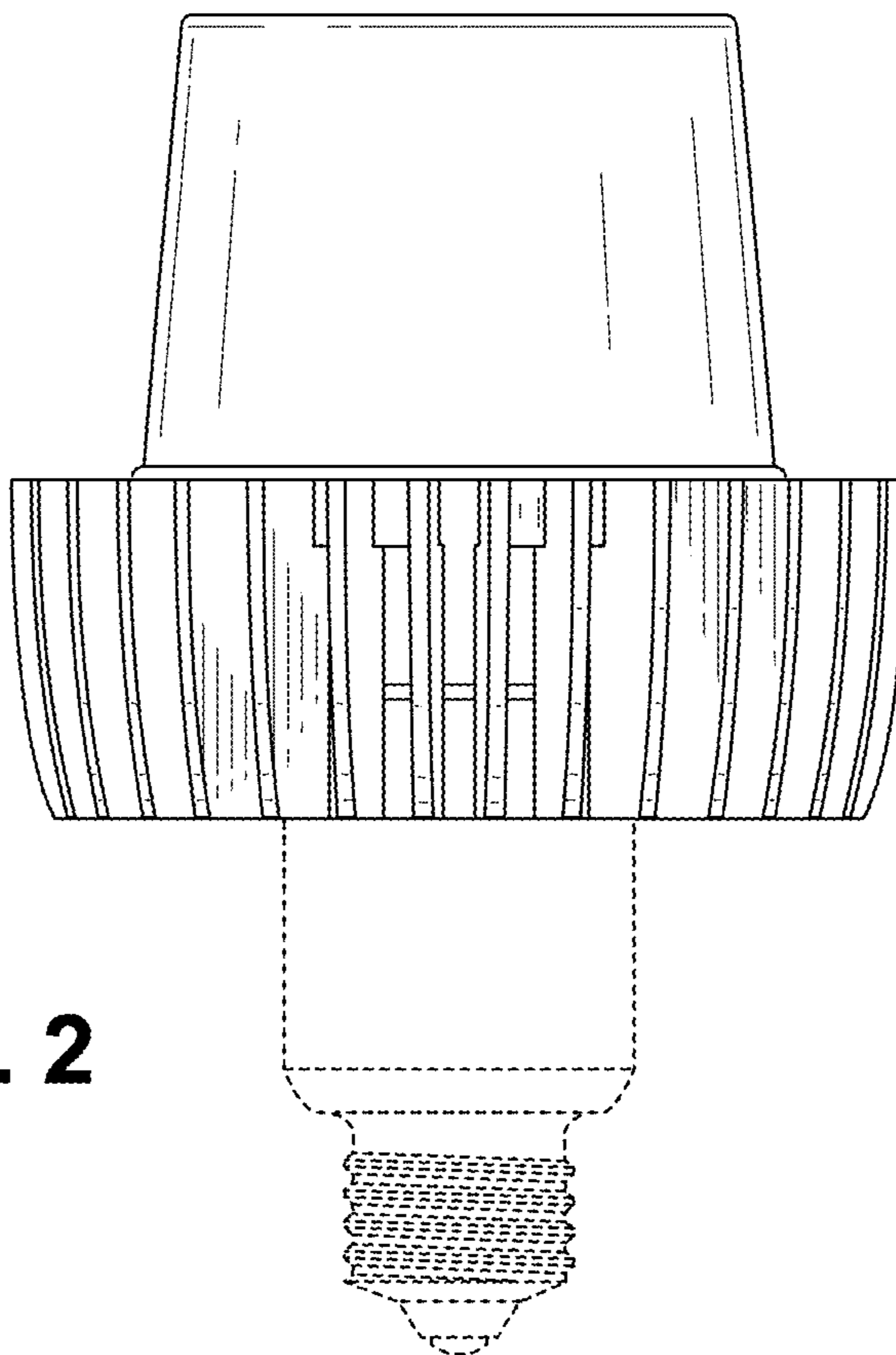


FIG. 2

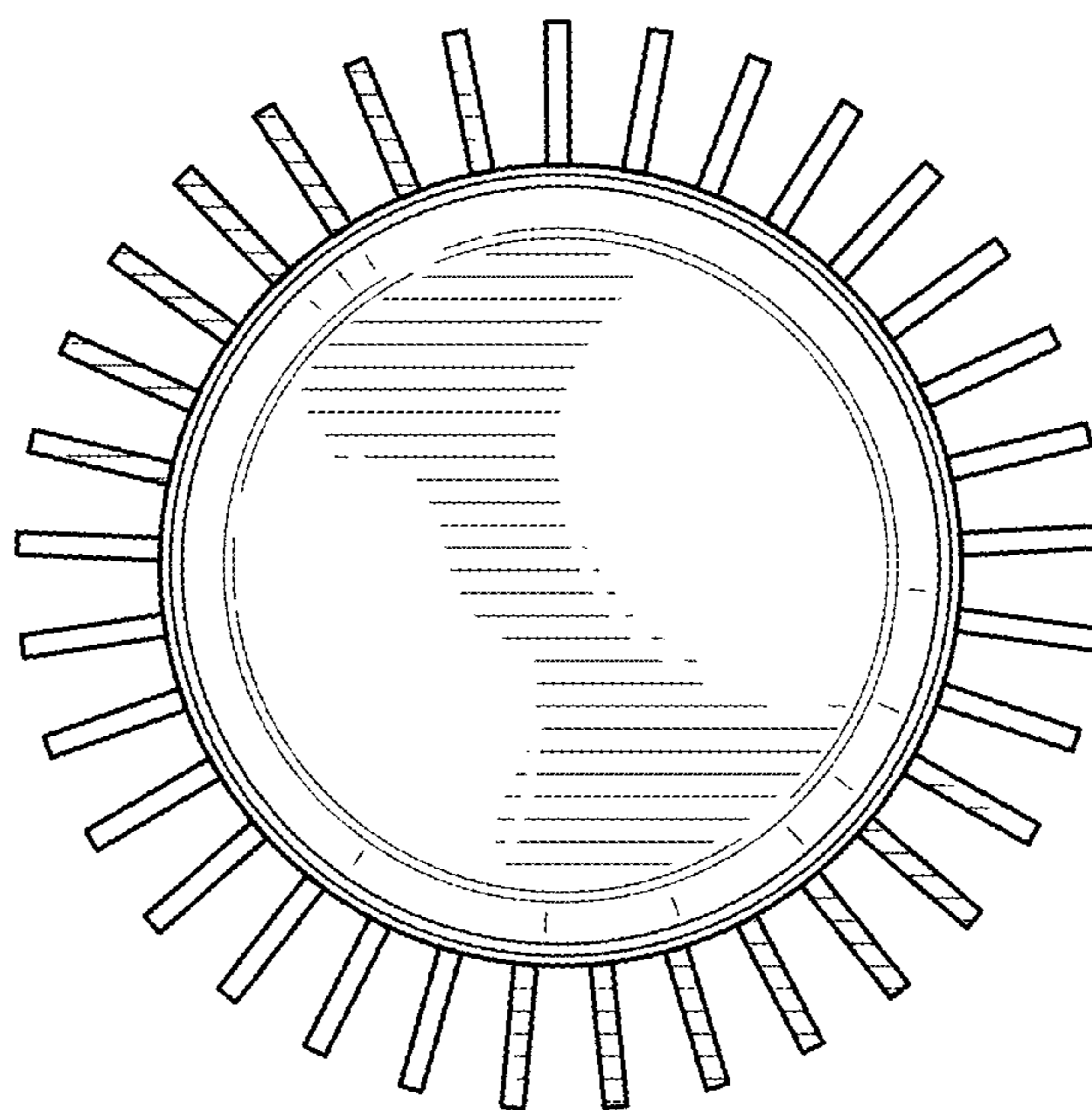


FIG. 3

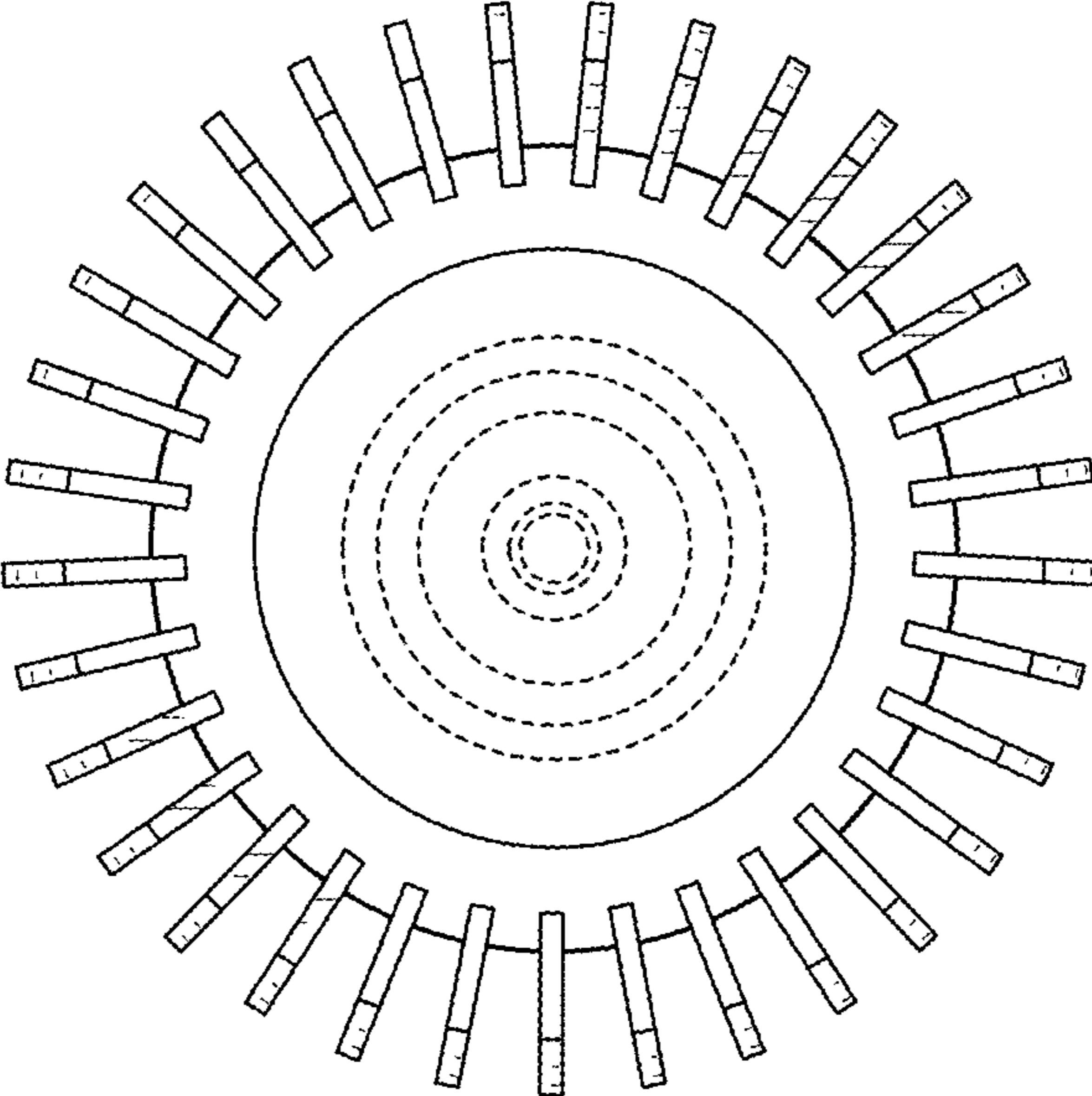


FIG. 4