



US00D696799S

(12) **United States Design Patent**  
**Lin et al.**

(10) **Patent No.:** **US D696,799 S**  
(45) **Date of Patent:** **\*\* Dec. 31, 2013**

(54) **LED BULB**  
(71) Applicant: **Advanced Optoelectronic Technology, Inc.**, Hsinchu Hsien (TW)  
(72) Inventors: **Chih-Yung Lin**, Hsinchu (TW);  
**Chia-Chen Chang**, Hsinchu (TW)  
(73) Assignee: **Advanced Optoelectronic Technology, Inc.**, Hsinchu Hsien (TW)

D531,741 S \* 11/2006 Takahashi ..... D26/2  
D534,665 S \* 1/2007 Egawa et al. .... D26/2  
D538,953 S \* 3/2007 Mama ..... D26/2  
D615,220 S \* 5/2010 Crane et al. .... D26/2  
D651,327 S \* 12/2011 Hsiao et al. .... D26/2  
D663,869 S \* 7/2012 Choi et al. .... D26/2  
D688,822 S \* 8/2013 Yen ..... D26/2

(\*\*) Term: **14 Years**  
(21) Appl. No.: **29/453,463**  
(22) Filed: **Apr. 29, 2013**

**FOREIGN PATENT DOCUMENTS**

TW D136056 7/2010

\* cited by examiner

*Primary Examiner* — Marcus Jackson

(74) *Attorney, Agent, or Firm* — Altis Law Group, Inc.

(30) **Foreign Application Priority Data**  
Feb. 1, 2013 (TW) ..... 102300941 U  
(51) **LOC (9) Cl.** ..... **26-04**  
(52) **U.S. Cl.**  
USPC ..... **D26/2**  
(58) **Field of Classification Search**  
USPC ..... D26/1-4; 313/313, 315, 316, 317, 318,  
313/493; 315/52, 53, 56, 57, 58  
See application file for complete search history.

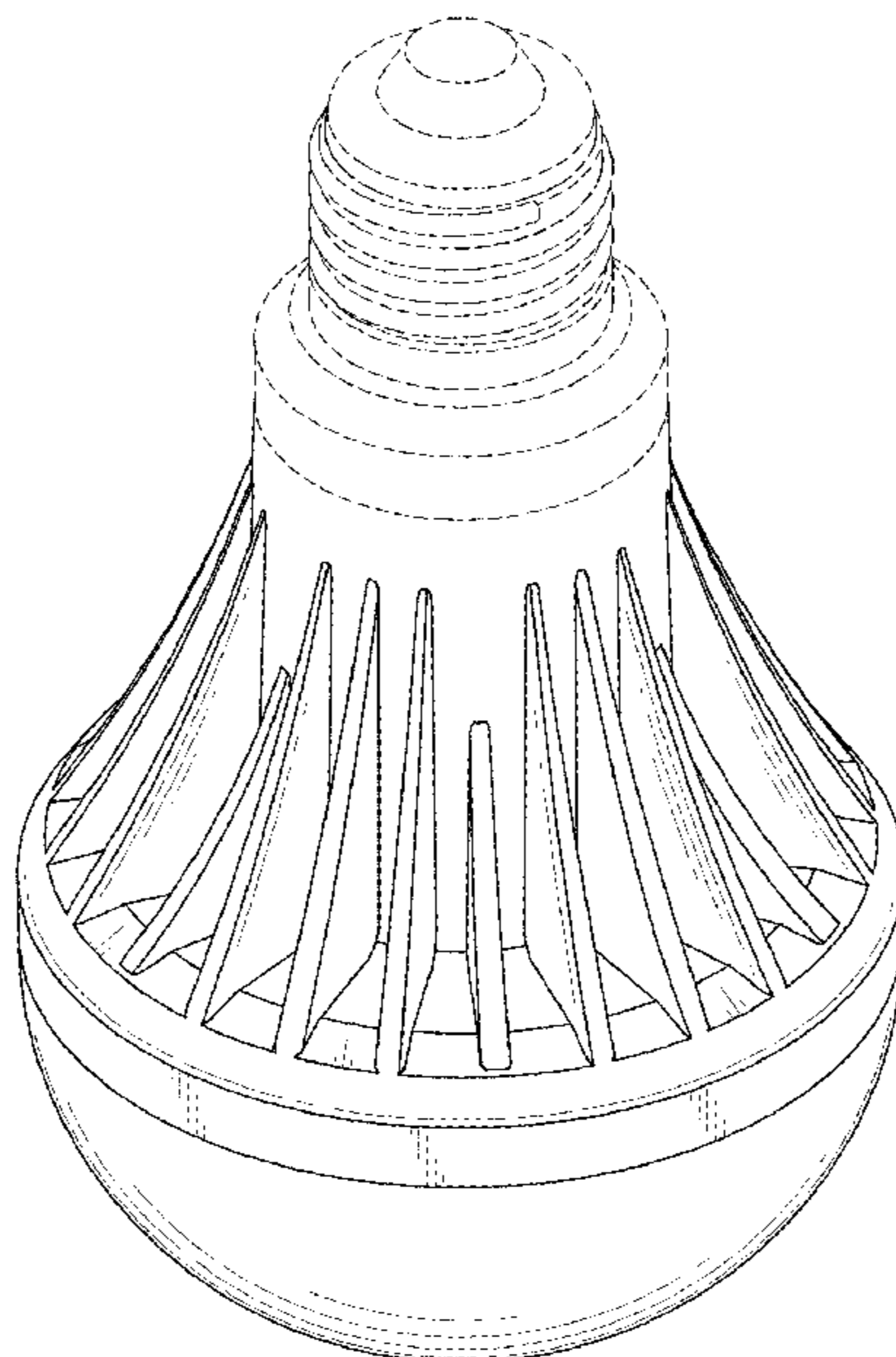
(57) **CLAIM**  
The ornamental design for an LED bulb, as shown and described.

(56) **References Cited**  
**U.S. PATENT DOCUMENTS**  
D508,575 S \* 8/2005 Buschmann et al. .... D26/2  
D528,227 S \* 9/2006 Chou et al. .... D26/2

**DESCRIPTION**

FIG. 1 is a front, perspective view of an LED bulb showing our new design.  
FIG. 2 is a front elevational view thereof.  
FIG. 3 is a rear elevational view thereof.  
FIG. 4 is a left-side, elevational view thereof.  
FIG. 5 is a right-side, elevational view thereof.  
FIG. 6 is a top plan view thereof; and,  
FIG. 7 is a bottom plan view thereof.  
The broken lines shown in the drawing figures are for illustrative purpose only and form no part of the claimed design.

**1 Claim, 7 Drawing Sheets**



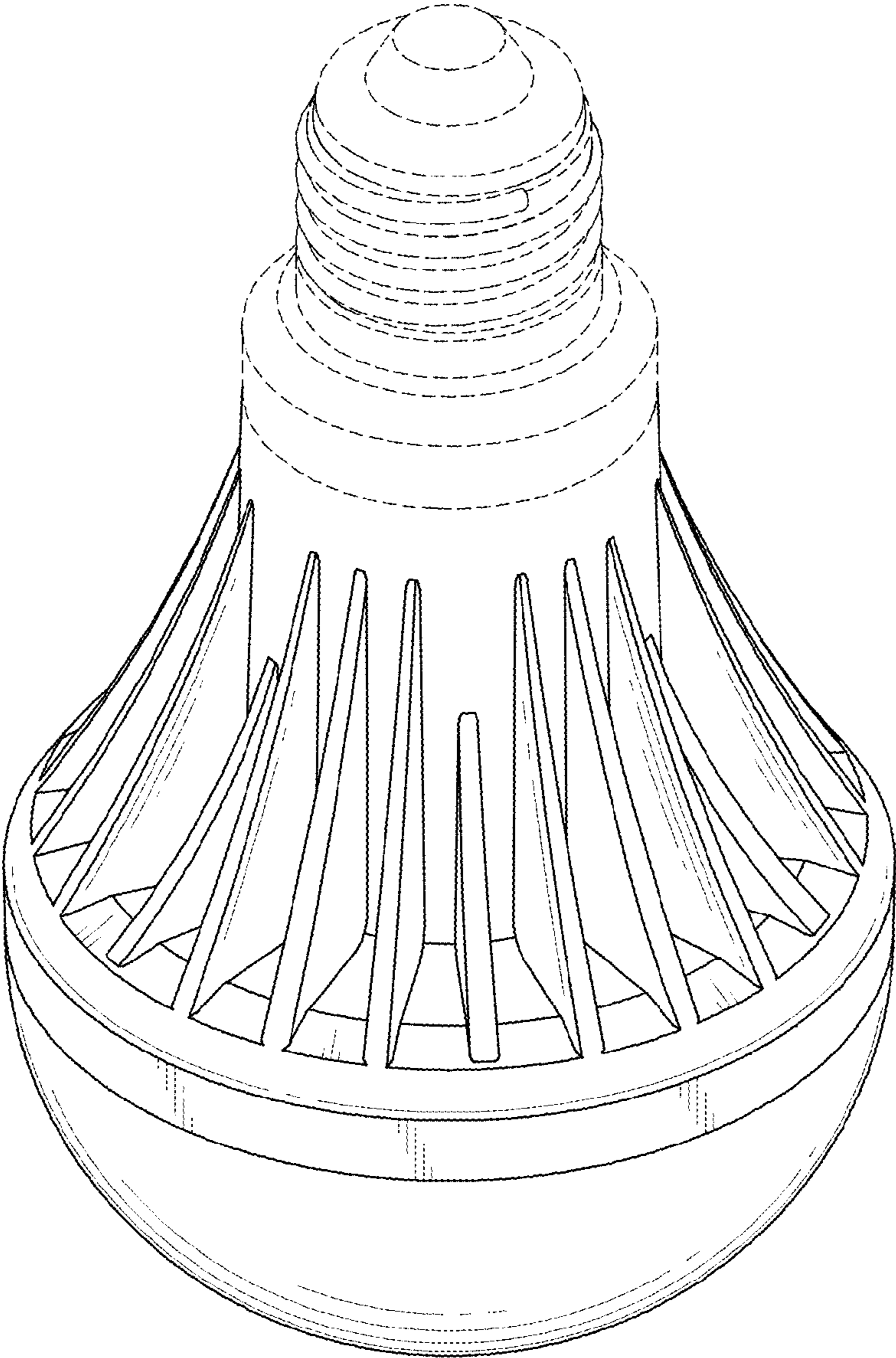


FIG. 1

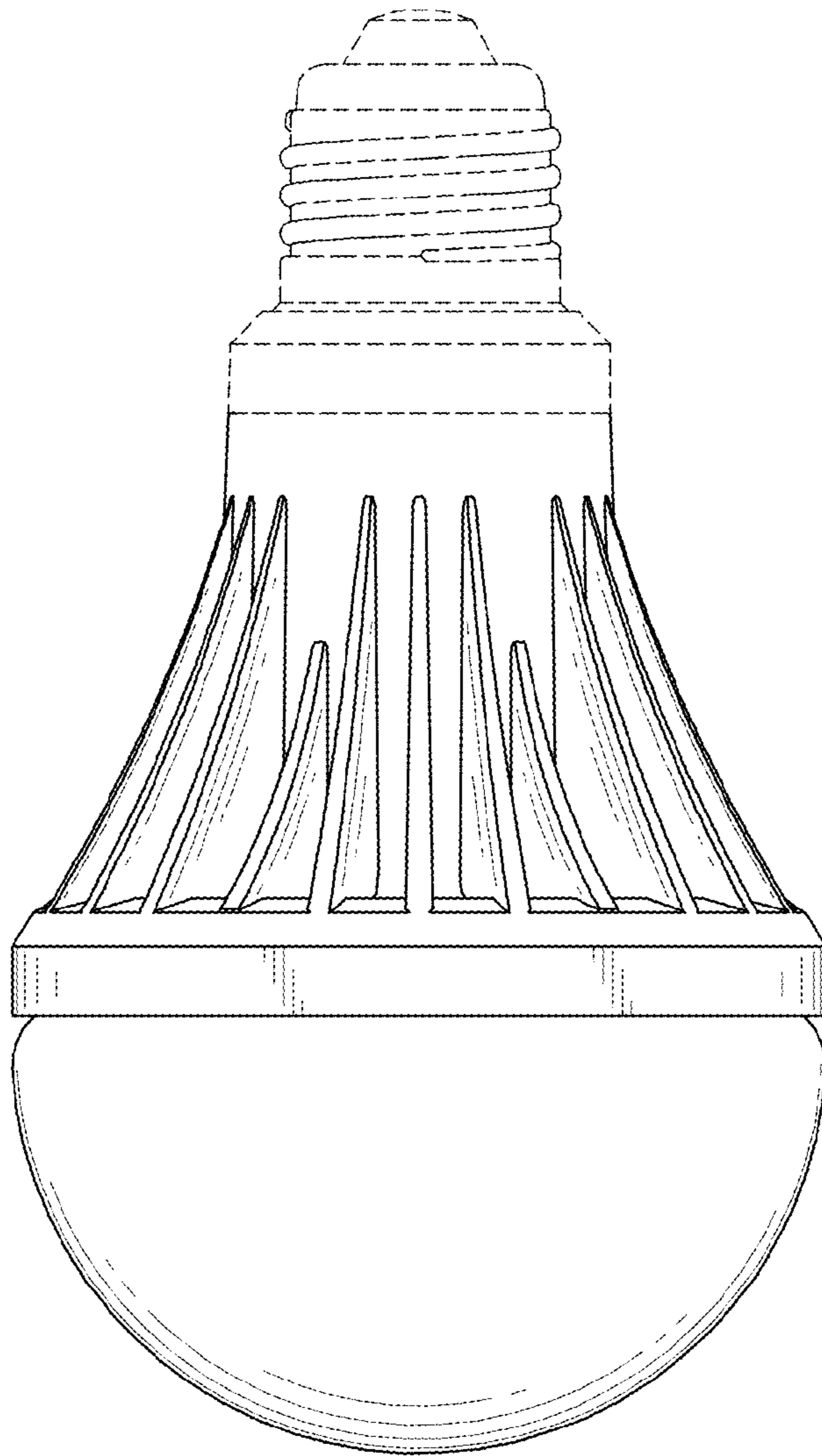


FIG. 2

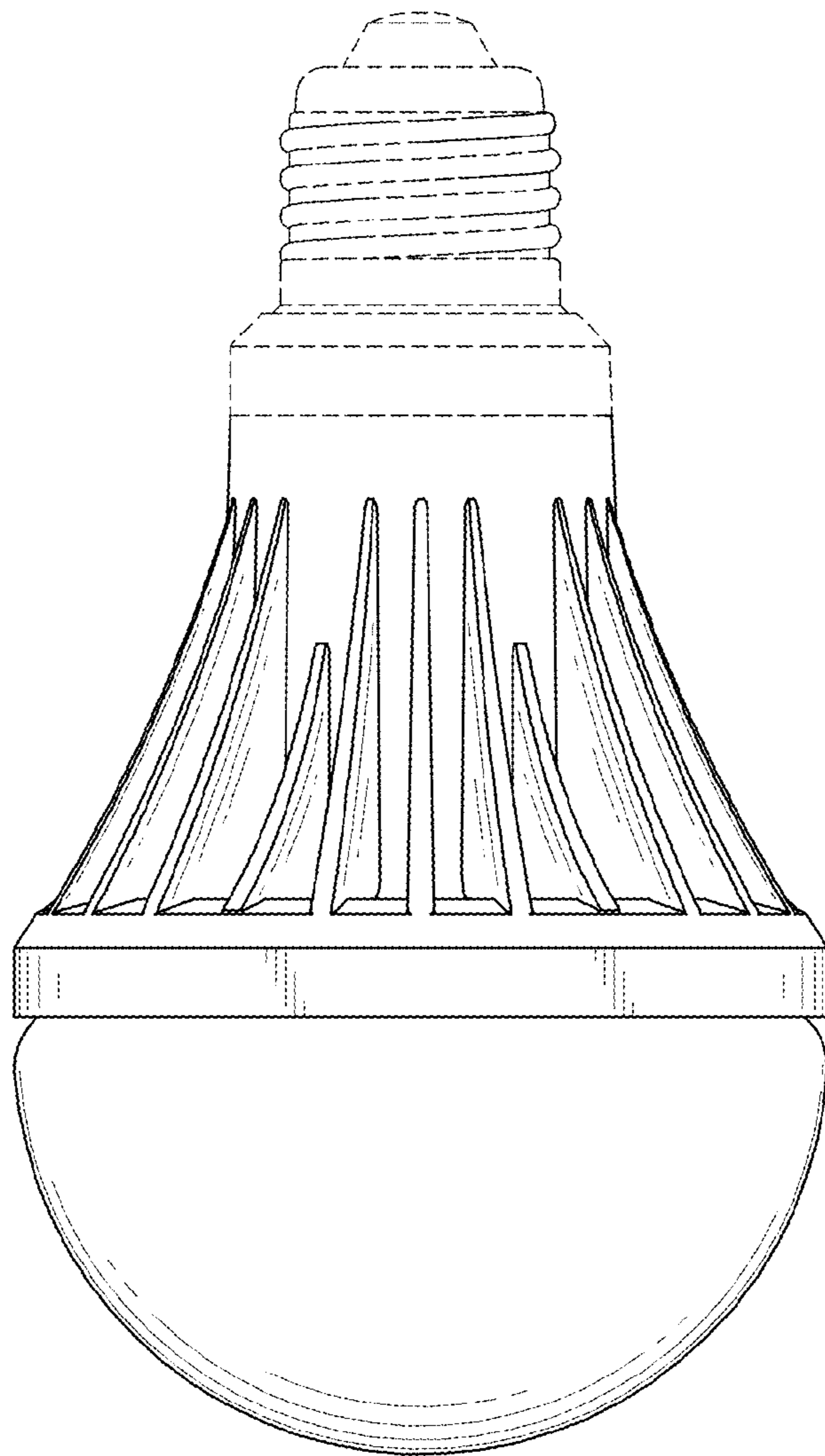


FIG. 3

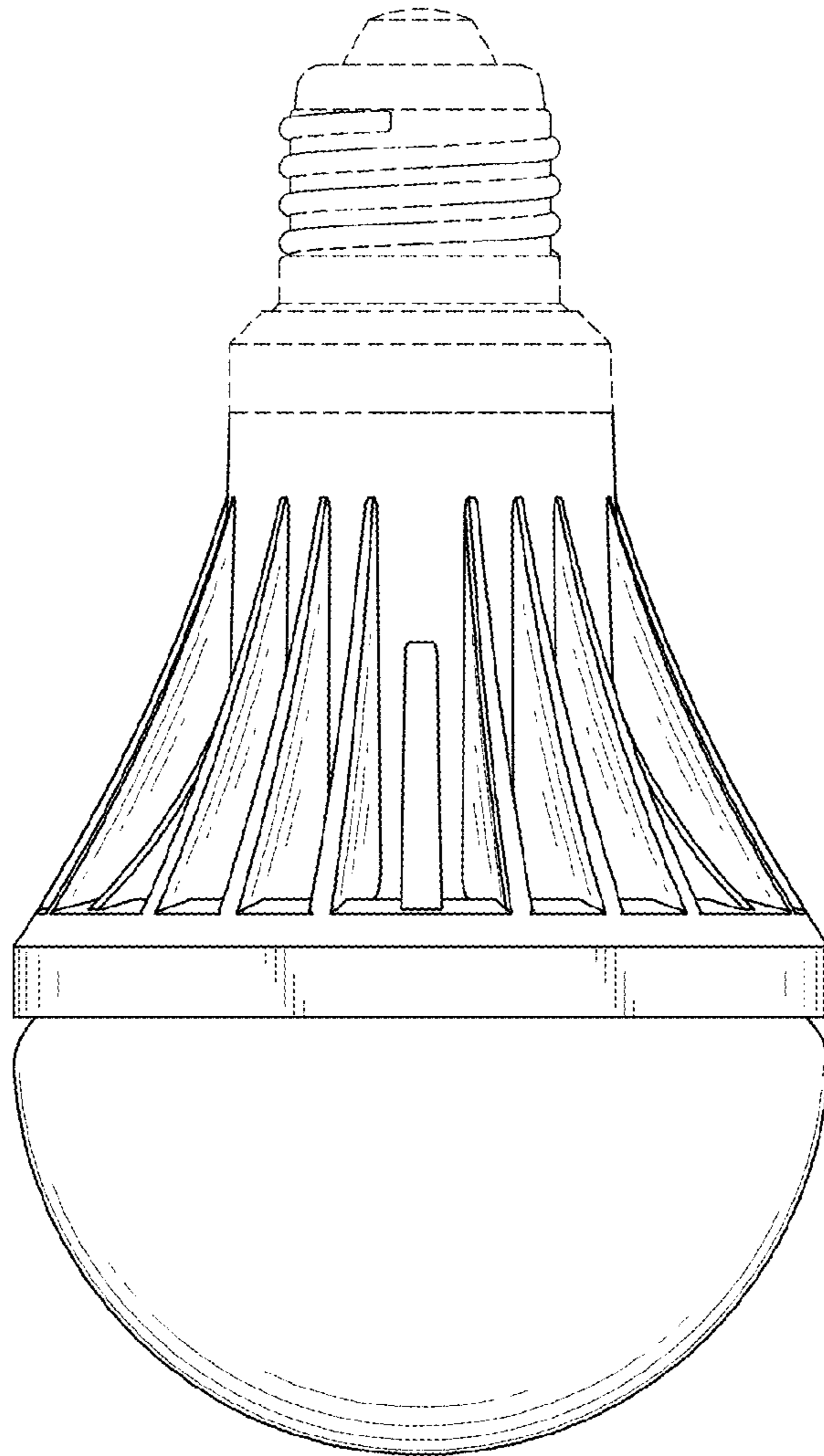


FIG. 4



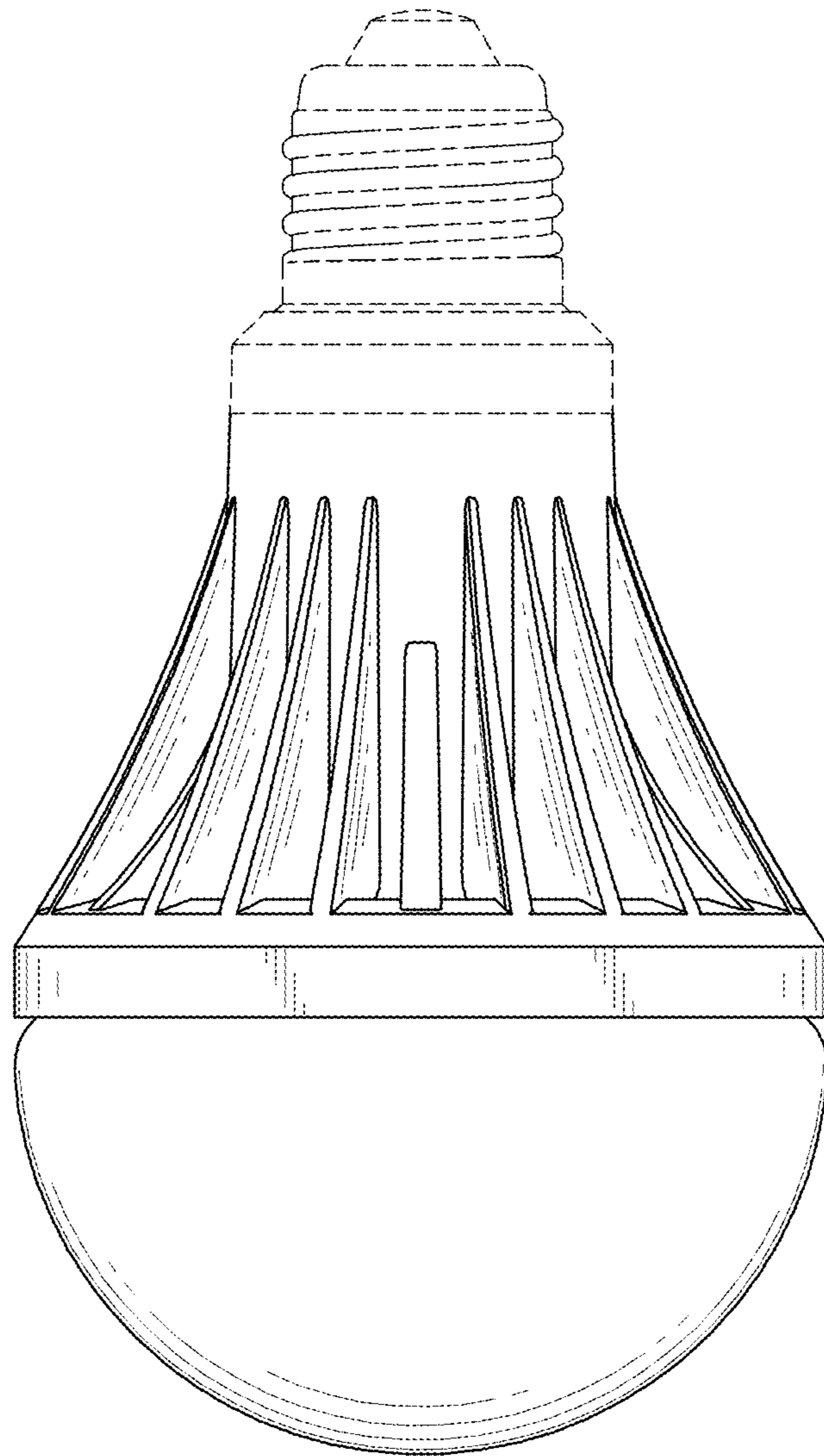


FIG. 5

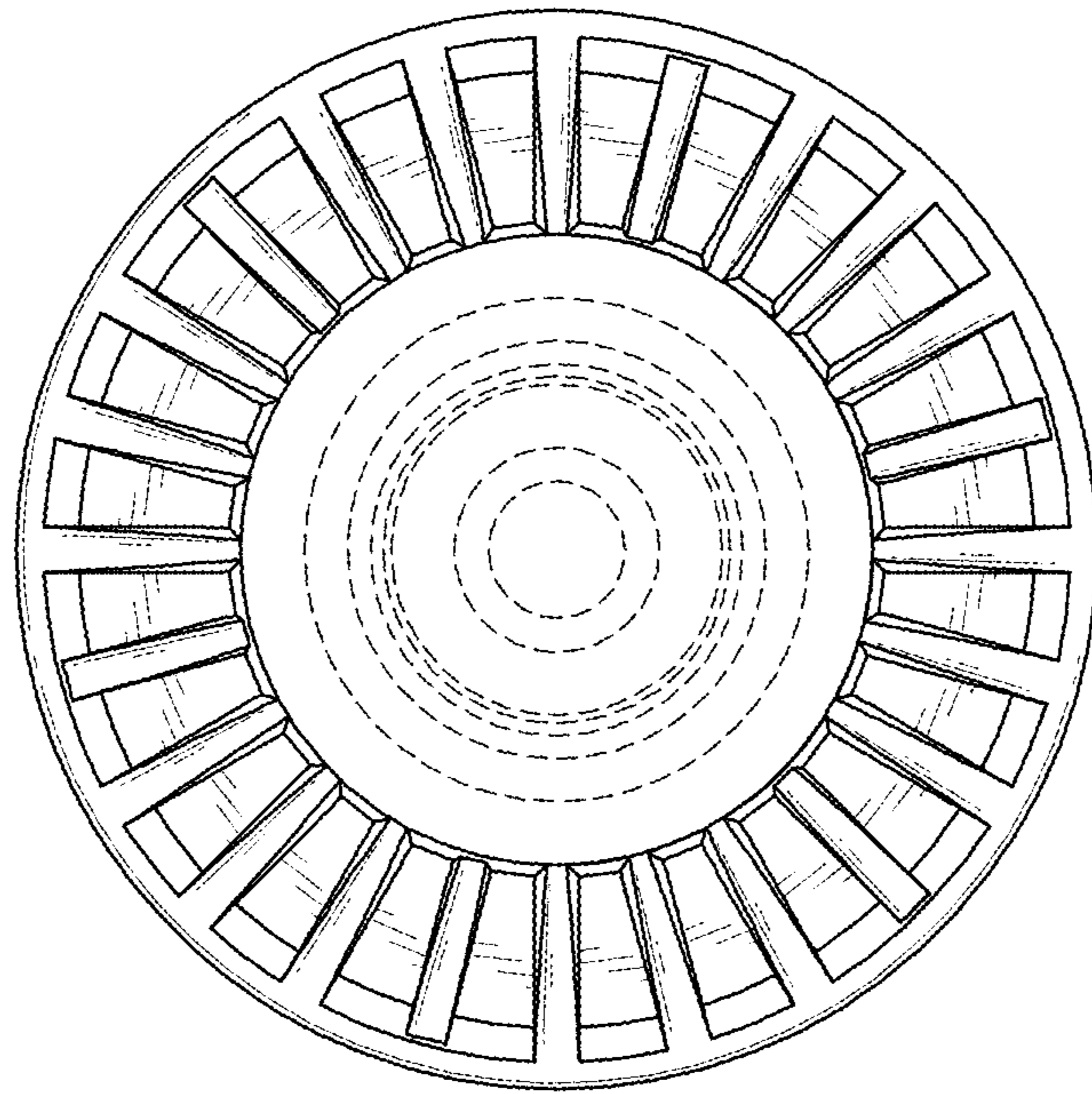


FIG. 6

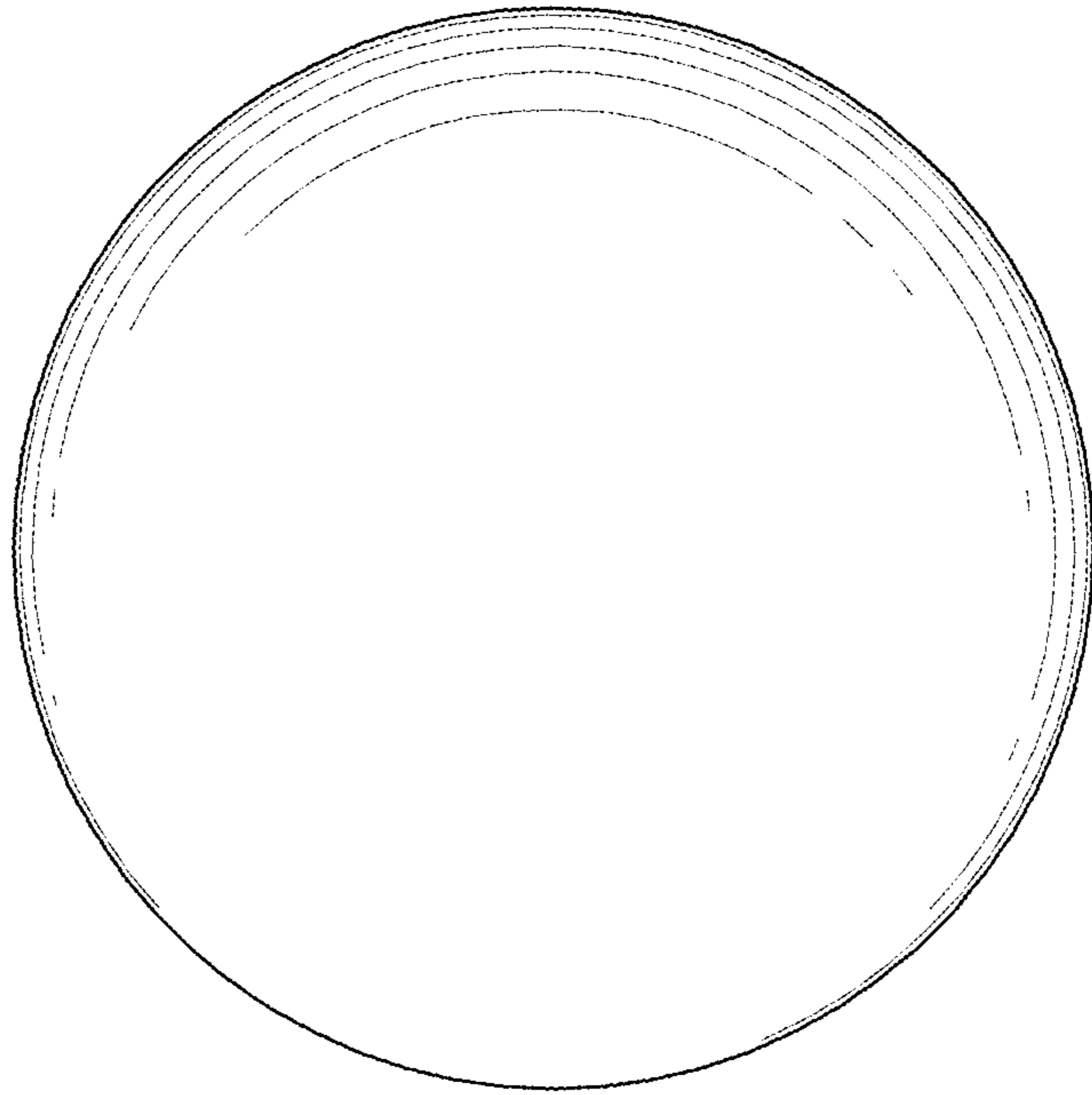


FIG. 7