

US00D696798S

(12) **United States Design Patent**
Masashi et al.

(10) **Patent No.:** **US D696,798 S**

(45) **Date of Patent:** **** Dec. 31, 2013**

(54) **LAMP**

D615,220 S * 5/2010 Crane et al. D26/2
D616,574 S * 5/2010 Chen et al. D26/2
D654,193 S * 2/2012 Tong et al. D26/2

(71) Applicants: **Citizen Electronics Co., Ltd.**,
Fujiyoshida (JP); **Citizen Holdings Co., Ltd.**,
Tokyo (JP)

* cited by examiner

(72) Inventors: **Watanabe Masashi**, Yamanashi-ken
(JP); **Takashi Akiyama**, Yamanashi-ken
(JP)

Primary Examiner — Marcus Jackson

(74) *Attorney, Agent, or Firm* — Browdy and Neimark,
PLLC

(73) Assignees: **Citizen Electronics Co., Ltd.**,
Yamanashi-Ken (JP); **Citizen Holdings Co., Ltd.**,
Tokyo (JP)

(57) **CLAIM**

The ornamental design for a lamp, as shown and described.

(**) Term: **14 Years**

DESCRIPTION

(21) Appl. No.: **29/448,532**

FIG. 1 is a top perspective view of a first embodiment of a lamp showing our new design;

FIG. 2 is a bottom perspective view thereof;

FIG. 3 is a front view thereof, a rear view opposite the front view being identical to FIG. 3;

FIG. 4 is a top plan view thereof;

FIG. 5 is a bottom plan view thereof;

FIG. 6 is a left side view thereof, a right side view opposite the left side view being identical to FIG. 6;

FIG. 7 is a sectional view taken along the VII-VII line in FIG. 3;

FIG. 8 is a top perspective view of a second embodiment of a lamp showing our new design;

FIG. 9 is a bottom perspective view thereof;

FIG. 10 is a front view thereof, a rear view opposite the front view being identical to FIG. 10;

FIG. 11 is a top plan view thereof;

FIG. 12 is a bottom plan view thereof;

FIG. 13 is a left side view thereof, a right side view opposite the left side view being identical to FIG. 13; and,

FIG. 14 is a sectional view taken along the XIV-XIV line in FIG. 10.

The broken line showing of the bottom portion is included for illustrative purpose only and forms no part of the claimed design.

(22) Filed: **Mar. 13, 2013**

(30) **Foreign Application Priority Data**

Jan. 29, 2013 (JP) 2013-001567

Jan. 29, 2013 (JP) 2013-001568

(51) **LOC (9) Cl.** **26-04**

(52) **U.S. Cl.**
USPC **D26/2**

(58) **Field of Classification Search**
USPC D26/1-4; 313/313, 315, 316, 317, 318,
313/493; 315/52, 53, 56, 57, 58
See application file for complete search history.

(56) **References Cited**

U.S. PATENT DOCUMENTS

D508,575 S * 8/2005 Buschmann et al. D26/2
D528,227 S * 9/2006 Chou et al. D26/2
D531,741 S * 11/2006 Takahashi D26/2
D553,267 S * 10/2007 Yuen D26/2

1 Claim, 8 Drawing Sheets

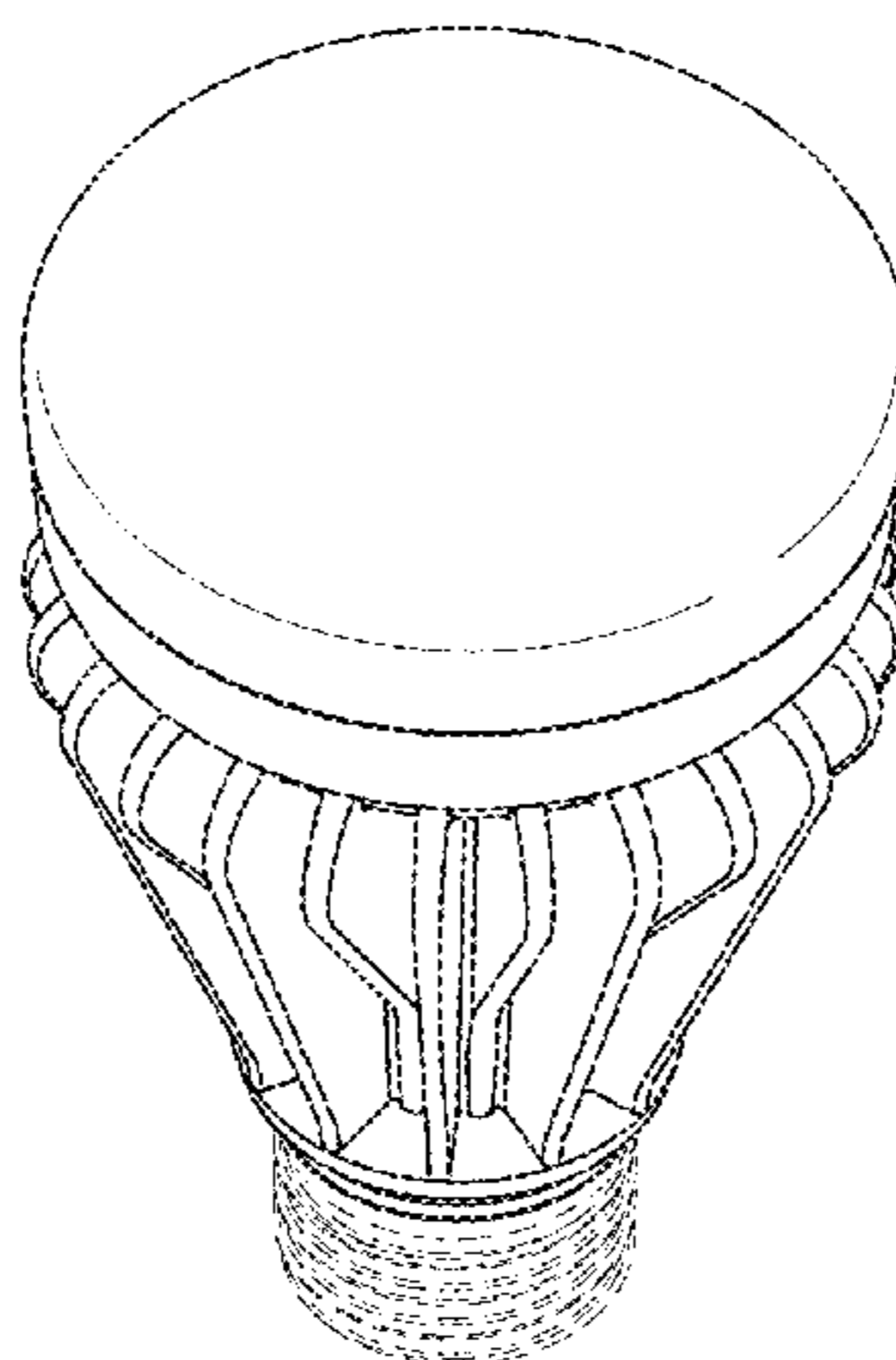


Fig. 1

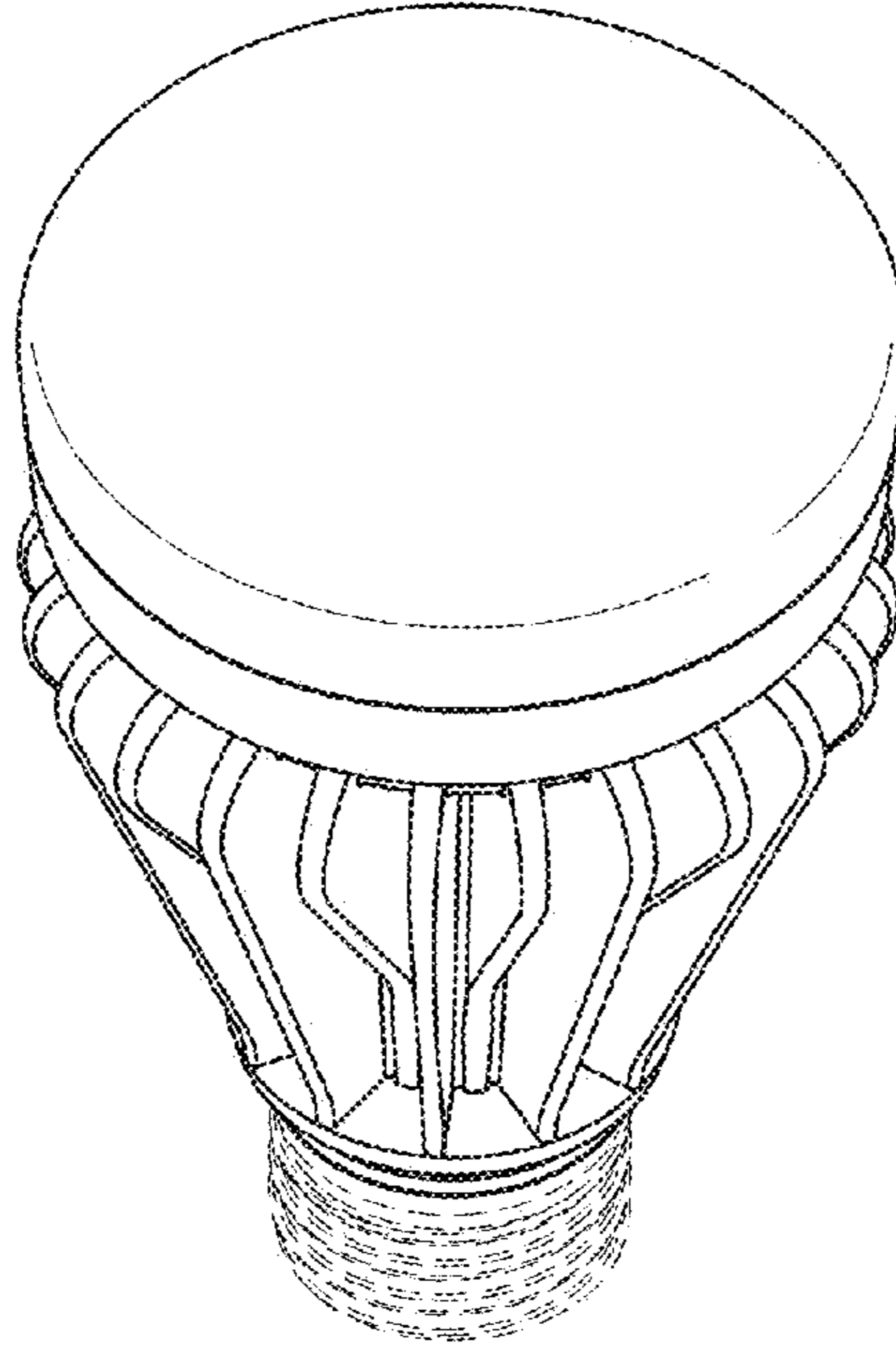


Fig. 2

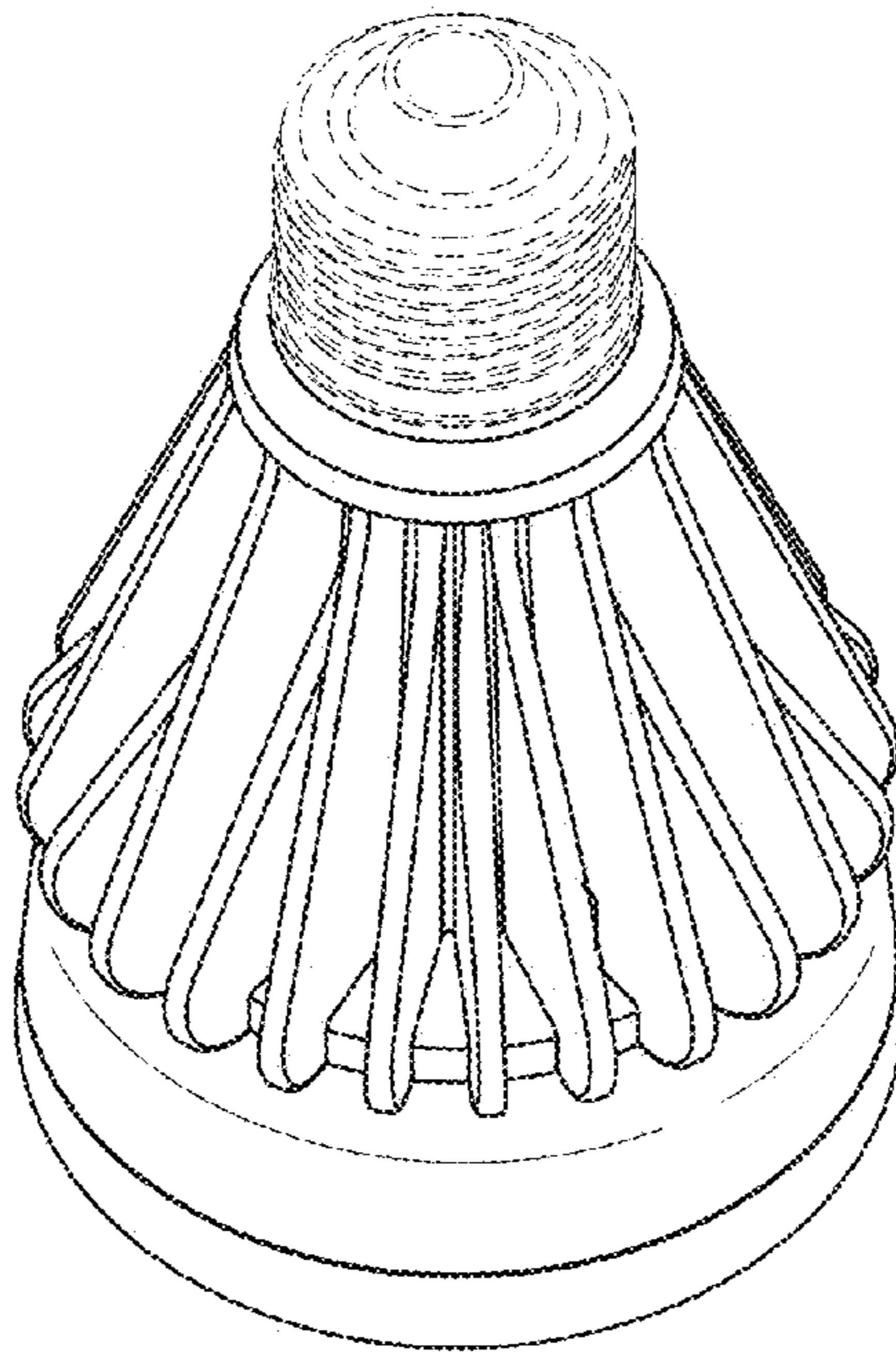


Fig. 3

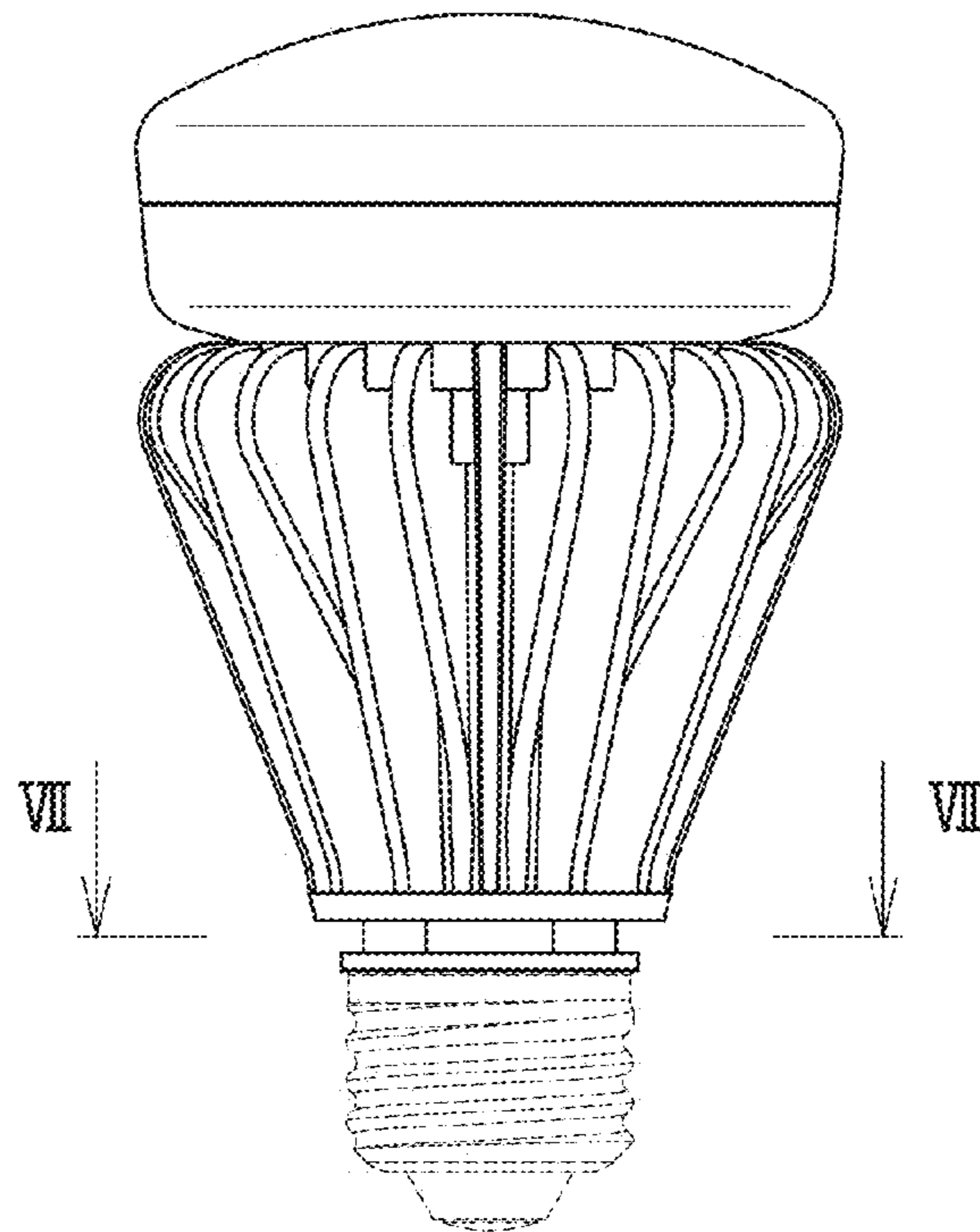


Fig. 4

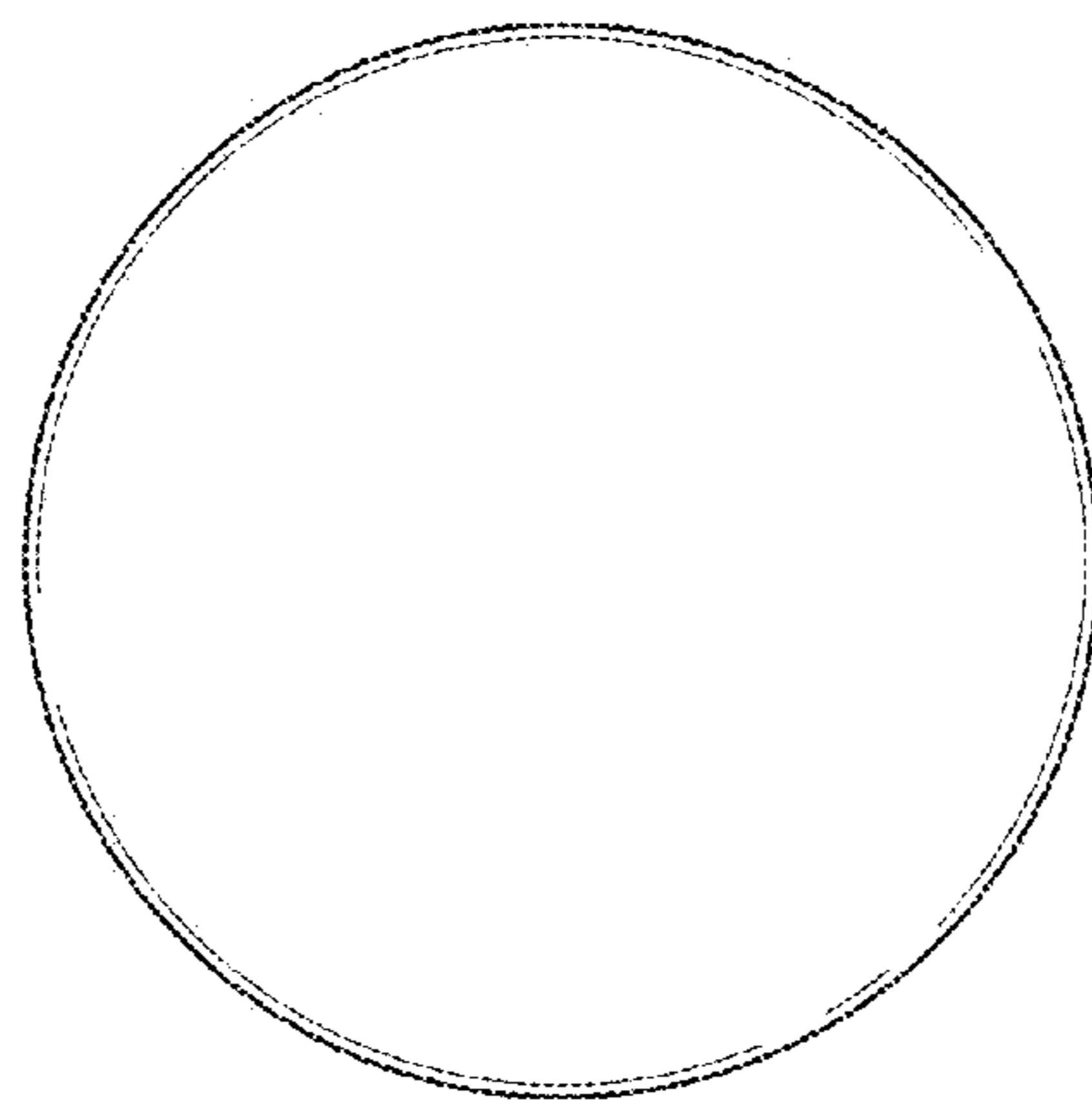


Fig. 5

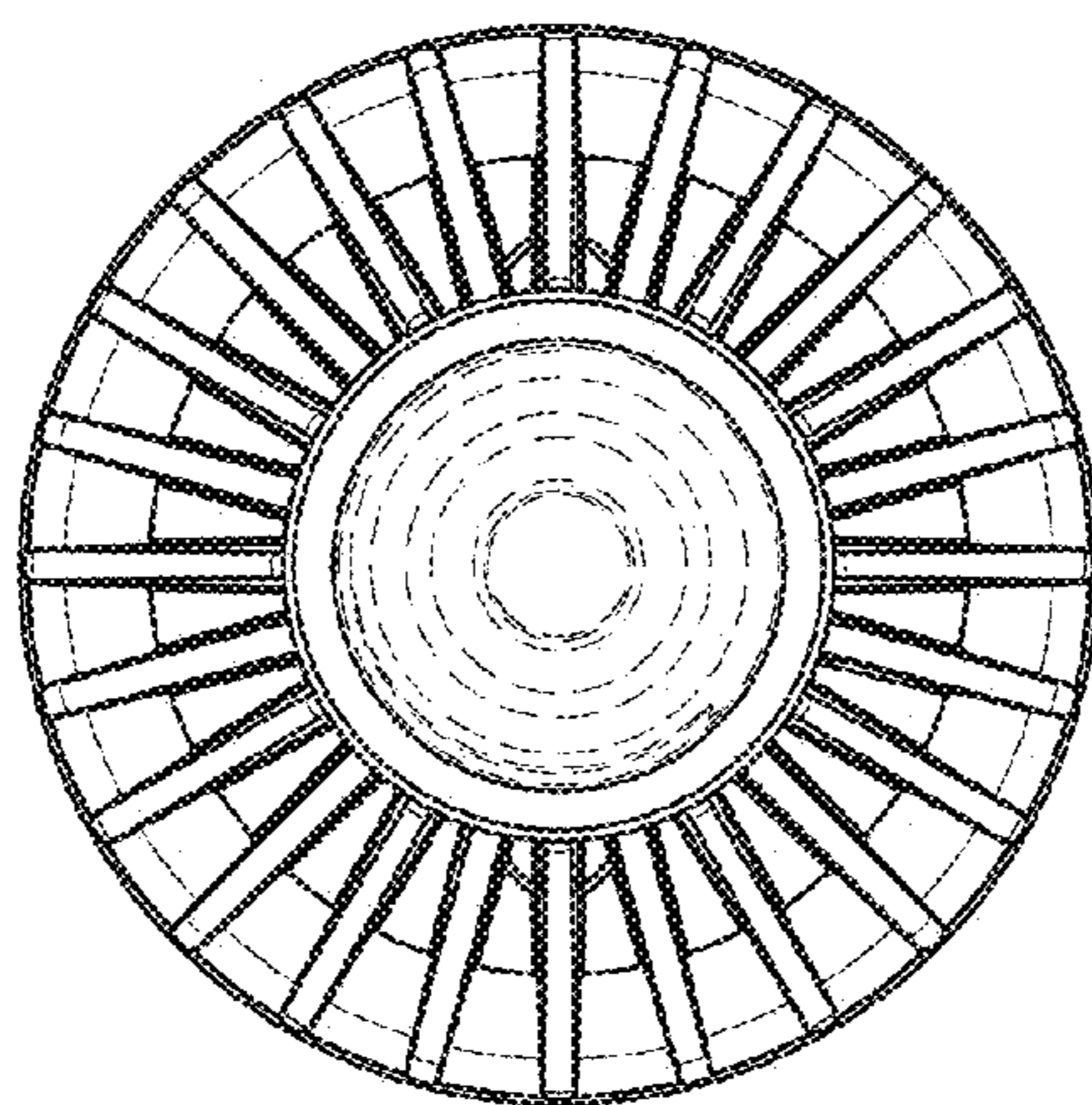


Fig. 6

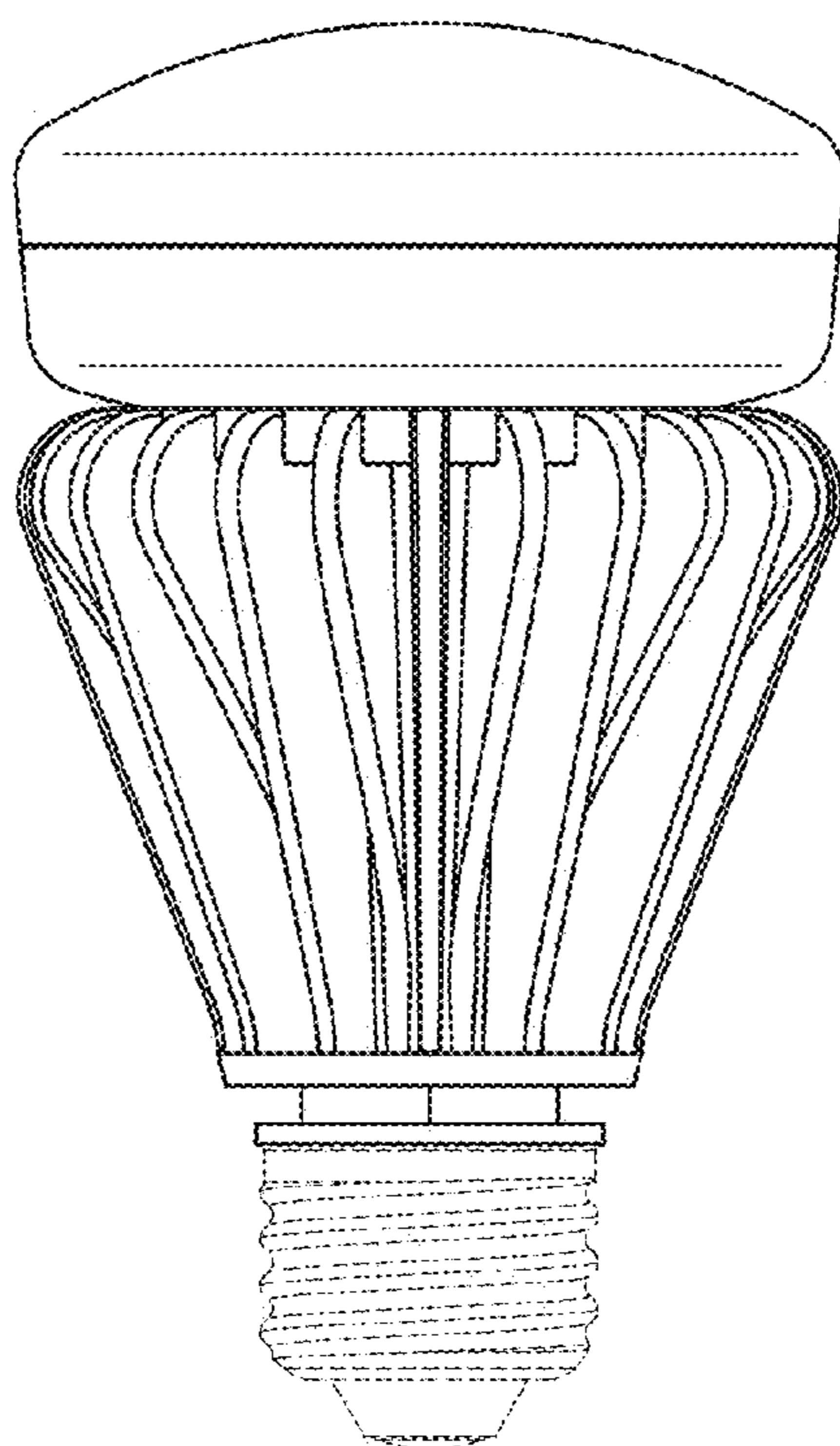


Fig. 7

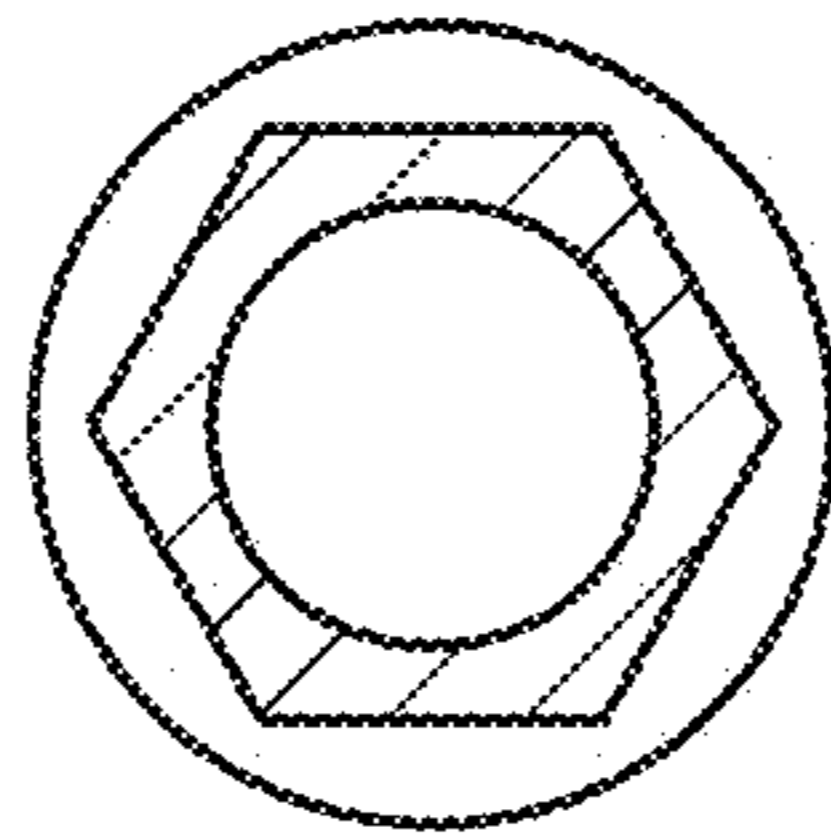


Fig. 8

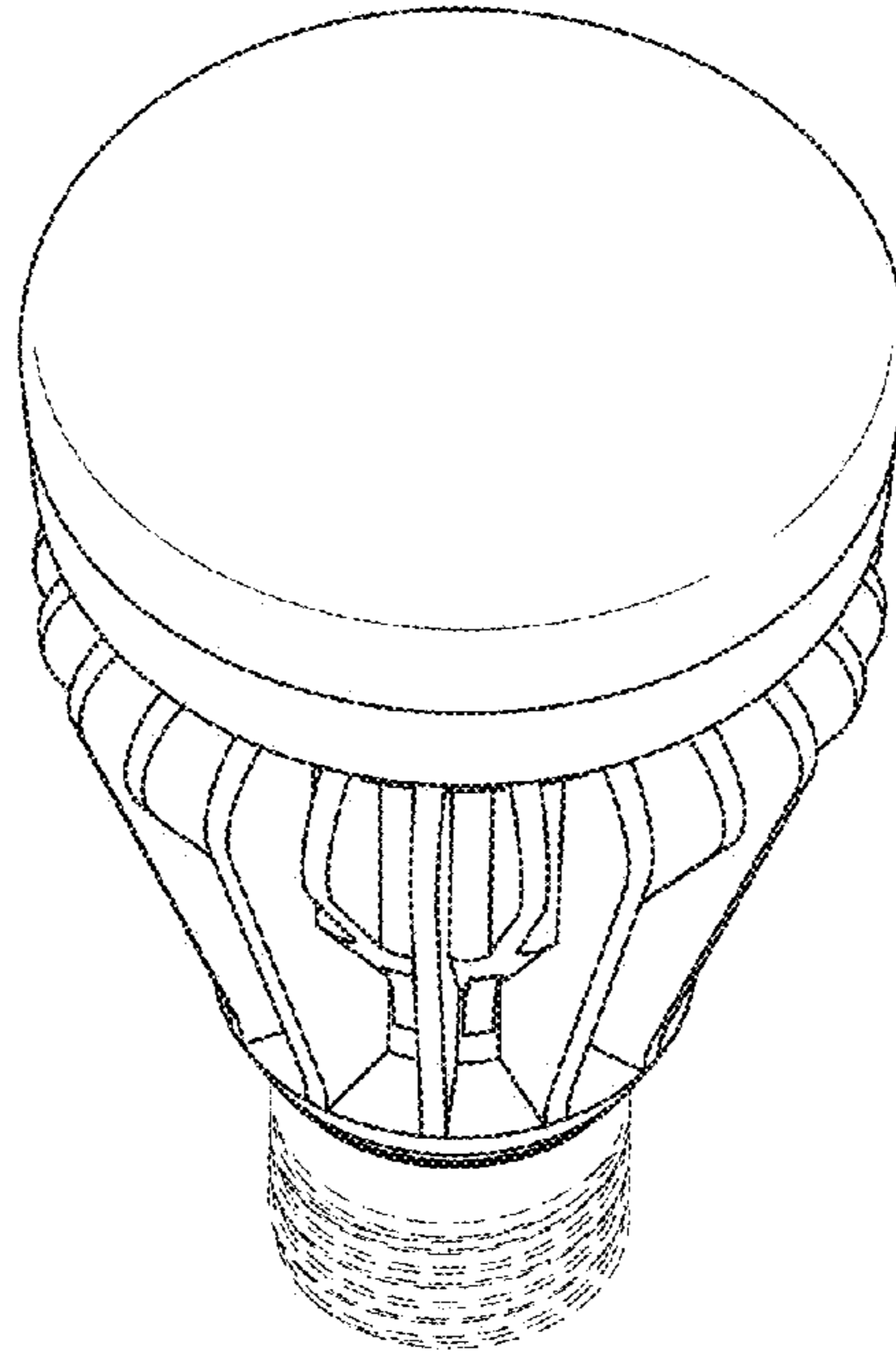


Fig. 9

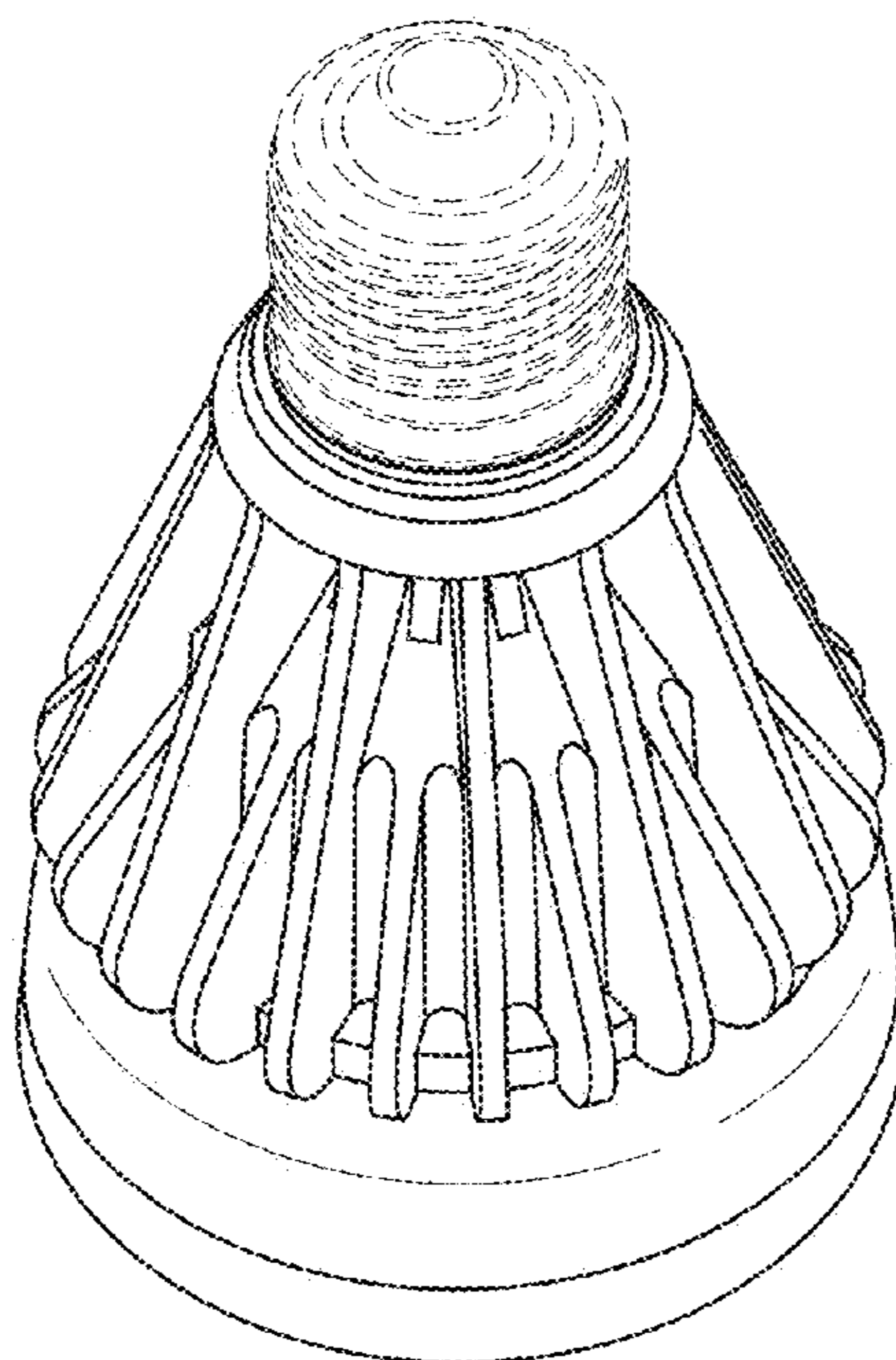


Fig. 10

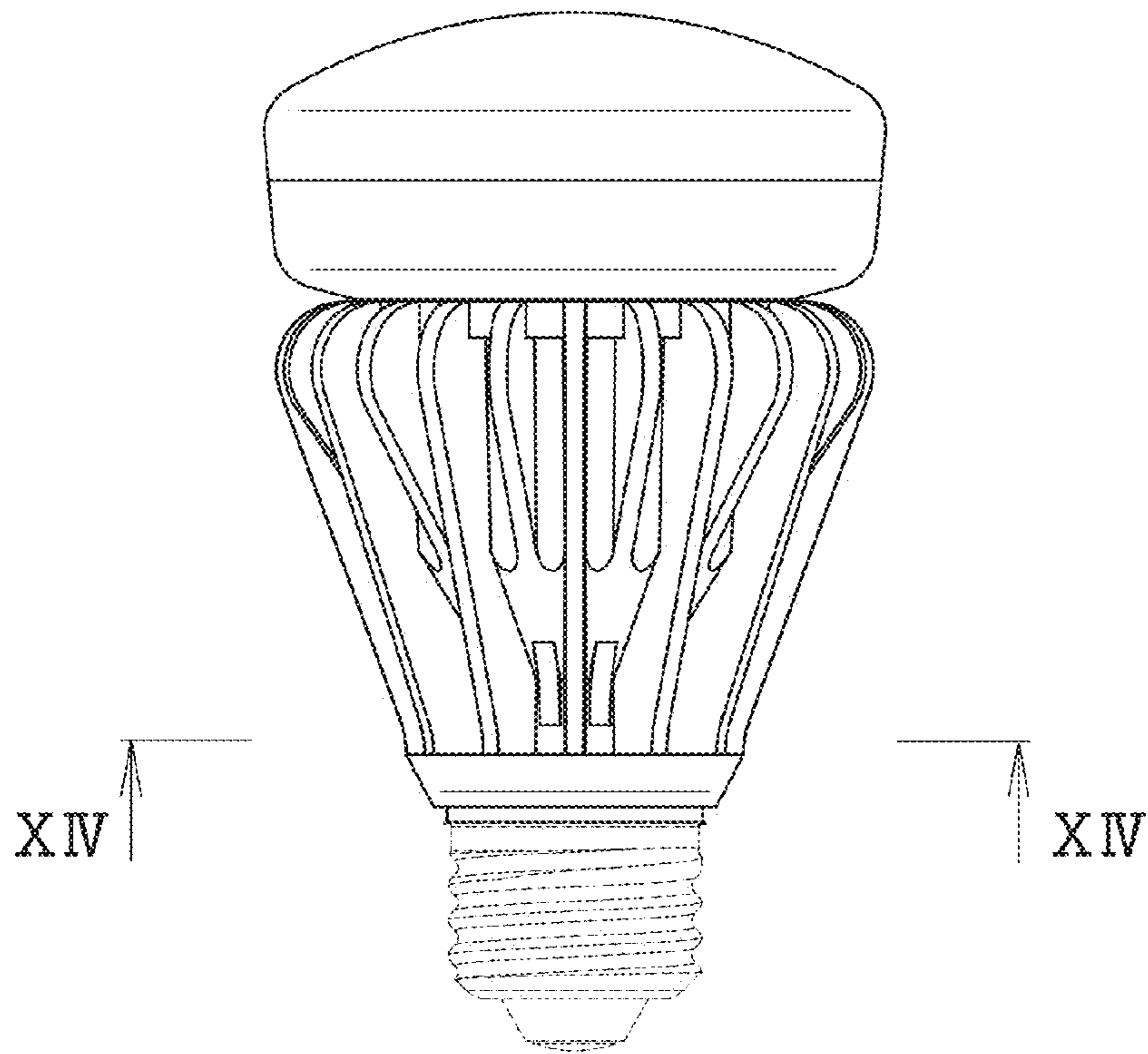


Fig. 11

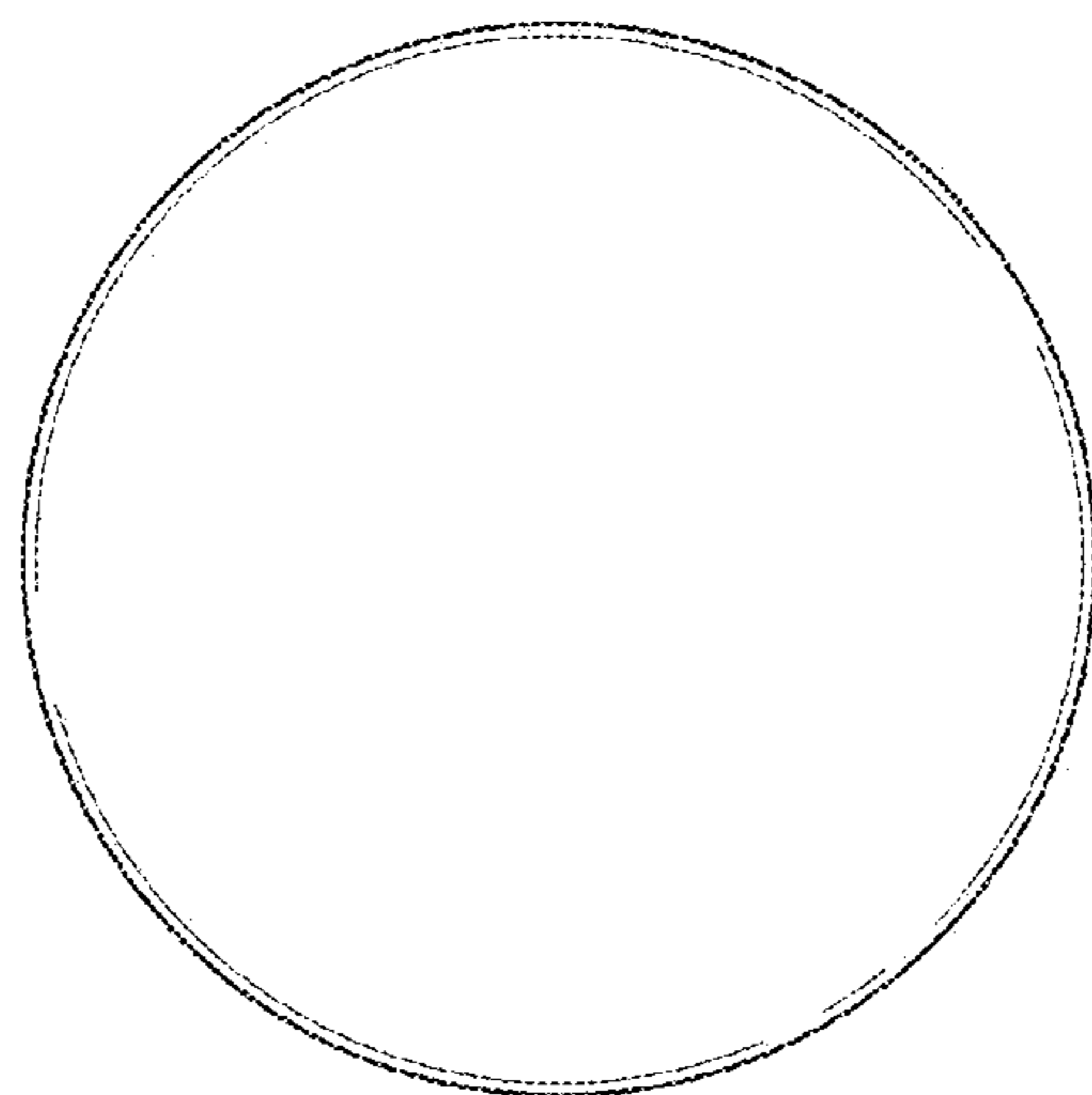


Fig. 12

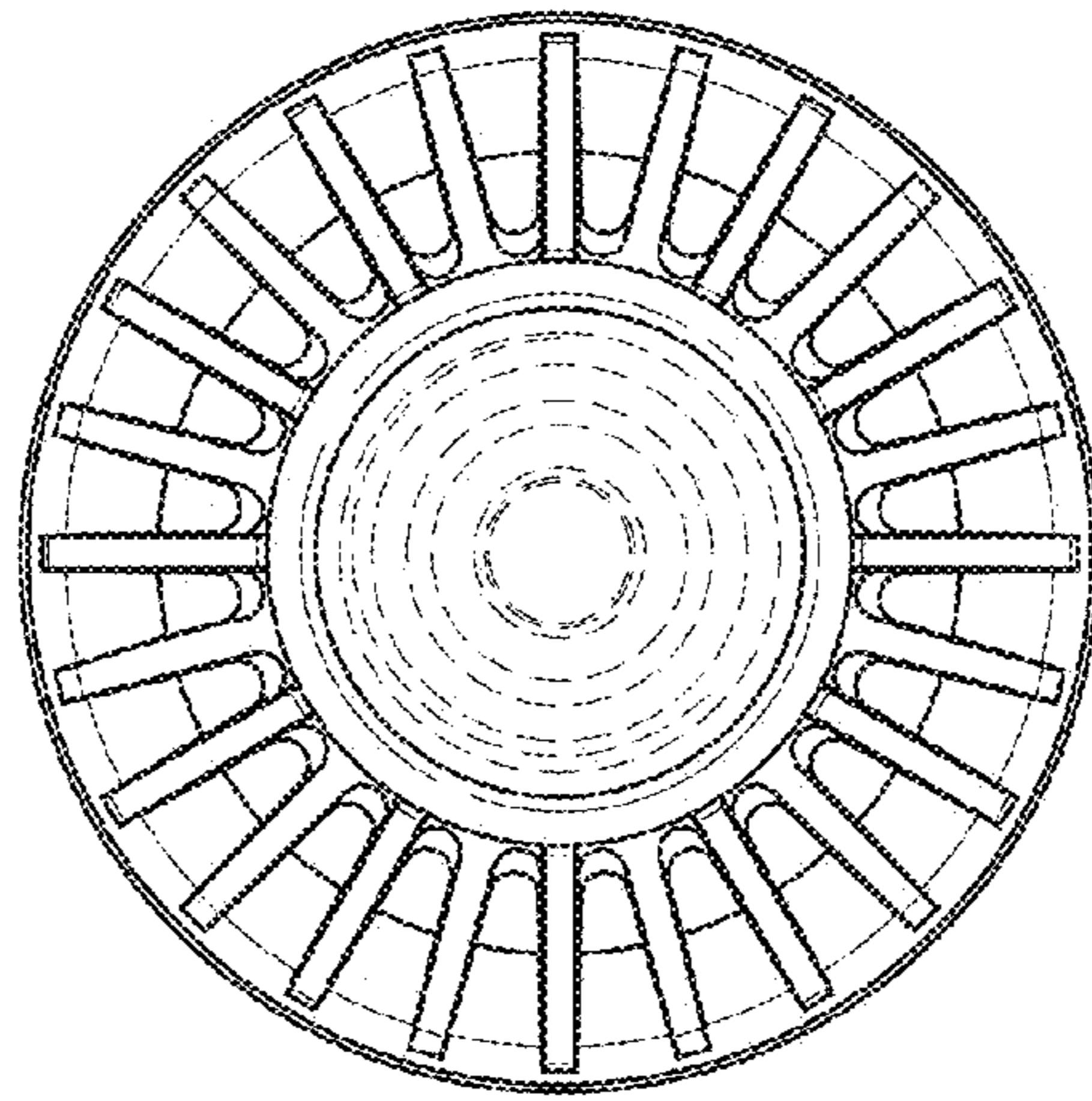


Fig. 13

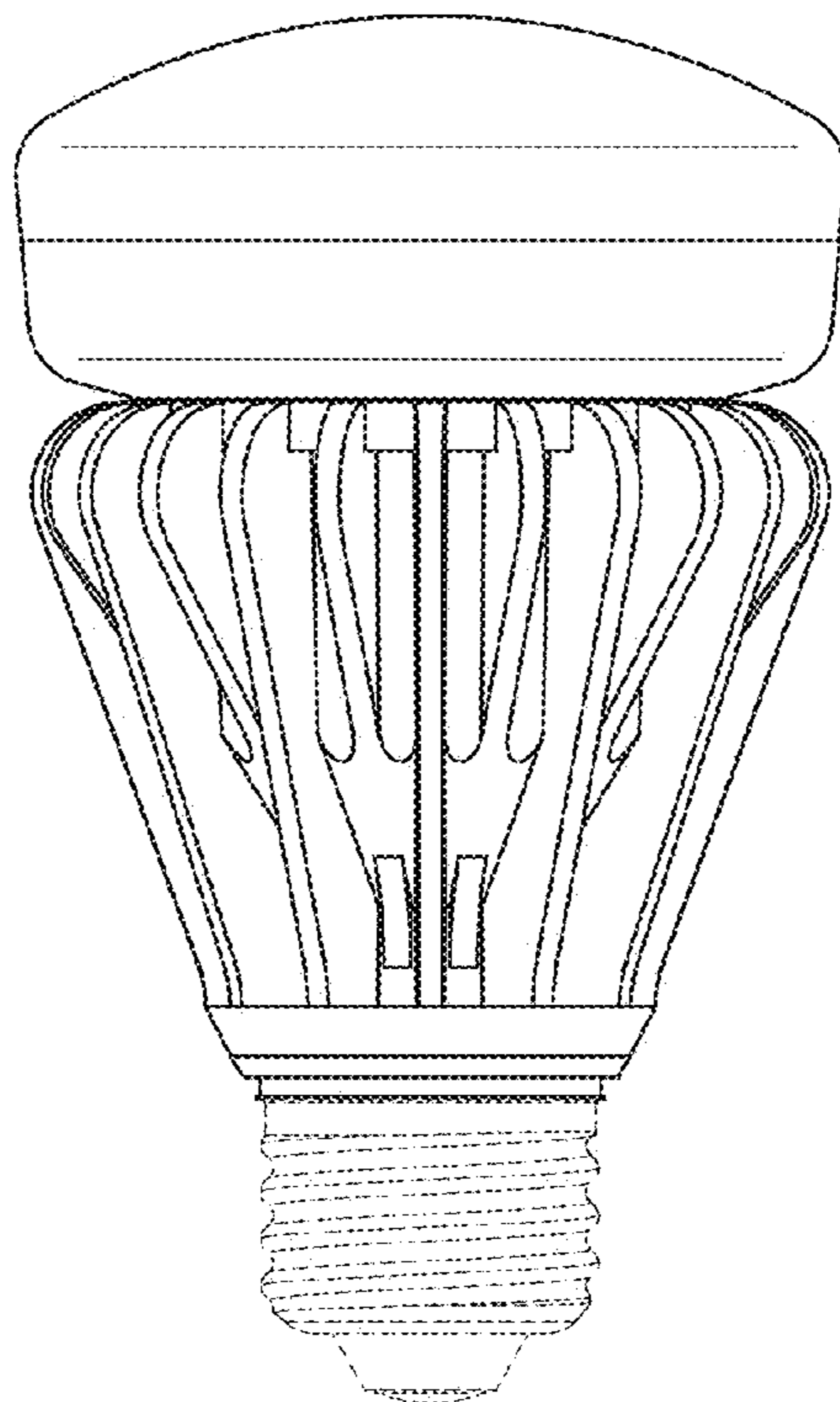
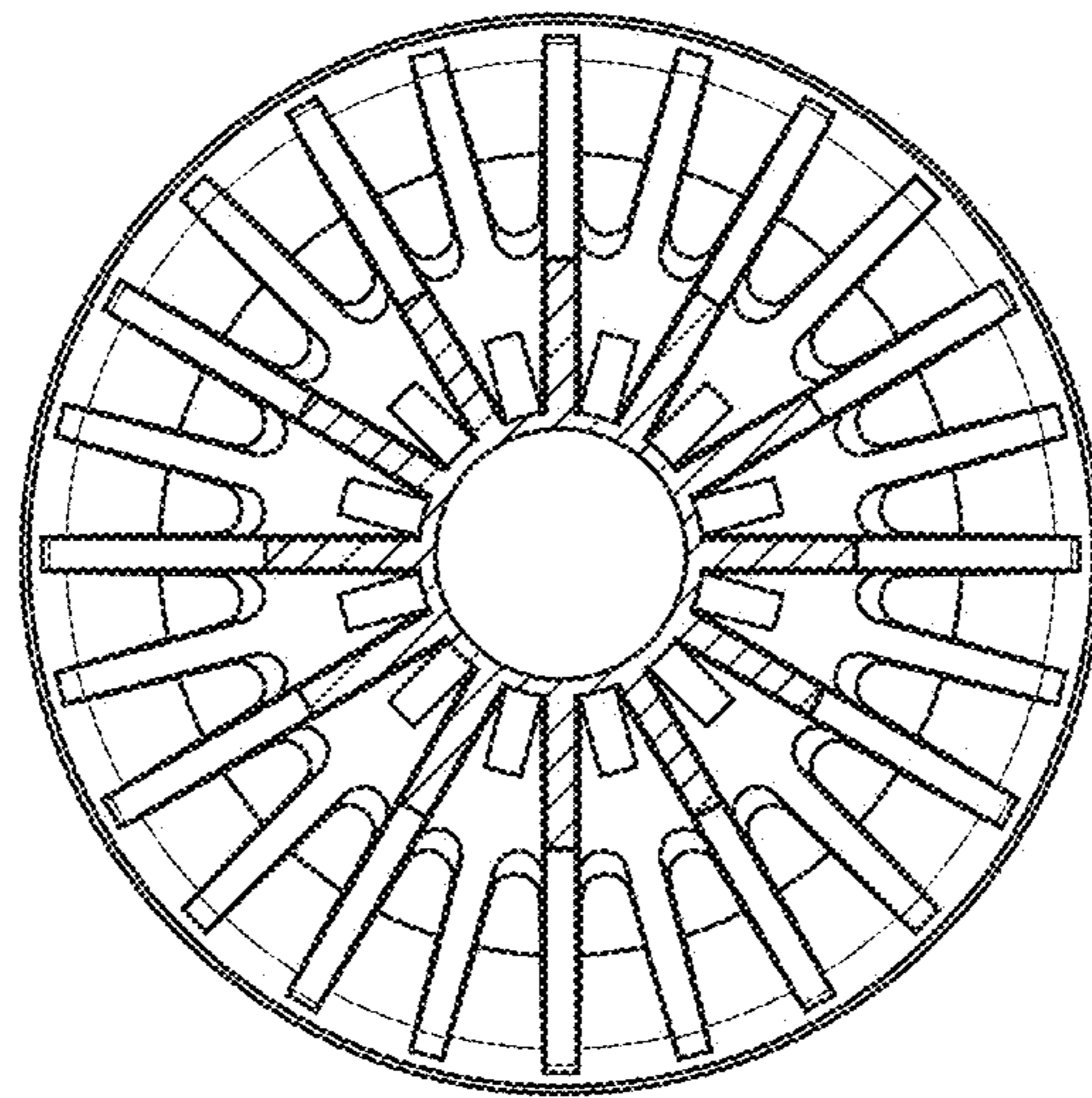


Fig. 14



UNITED STATES PATENT AND TRADEMARK OFFICE
CERTIFICATE OF CORRECTION

PATENT NO. : D696,798 S
APPLICATION NO. : 29/448532
DATED : December 31, 2013
INVENTOR(S) : Masashi Watanabe et al.

Page 1 of 1

It is certified that error appears in the above-identified patent and that said Letters Patent is hereby corrected as shown below:

TITLE PAGE

Item (72) Inventors, delete "Watanabe Masashi", and insert --Masashi Watanabe--.

Signed and Sealed this
Eighth Day of November, 2016



Michelle K. Lee
Director of the United States Patent and Trademark Office