

US00D696797S

(12) **United States Design Patent**  
**Wurth et al.**

(10) **Patent No.:** **US D696,797 S**

(45) **Date of Patent:** **\*\* Dec. 31, 2013**

(54) **CONSTRUCTION INSERT FOR ELEVATOR HOISTWAY**

(71) Applicant: **Wurtec, Incorporated**, Toledo, OH (US)

(72) Inventors: **Steven P. Wurth**, Sylvania, OH (US);  
**Terry Rodebaugh**, Whitehouse, OH (US)

(73) Assignee: **Wurtec, Incorporated**, Toledo, OH (US)

(\*\*) Term: **14 Years**

(21) Appl. No.: **29/455,436**

(22) Filed: **May 21, 2013**

**Related U.S. Application Data**

(62) Division of application No. 12/826,782, filed on Jun. 30, 2010, now abandoned.

(51) **LOC (9) Cl.** ..... **25-01**

(52) **U.S. Cl.**  
USPC ..... **D25/126**

(58) **Field of Classification Search**  
USPC ..... D25/126; 52/30, 66; 187/242, 254, 313  
See application file for complete search history.

(56) **References Cited**

**U.S. PATENT DOCUMENTS**

1,929,835 A 10/1933 Awbrey  
2,463,215 A 3/1949 Strachan  
3,601,347 A 8/1971 Attwood

3,741,351 A \* 6/1973 Suozzo ..... 187/313  
4,052,833 A 10/1977 Beine  
4,130,977 A 12/1978 Taylor, Jr. et al.  
D345,613 S \* 3/1994 Berghel ..... D25/126  
6,672,013 B1 \* 1/2004 Glassey et al. .... 52/30  
7,234,566 B2 6/2007 Simmons  
7,237,368 B2 7/2007 Richardson et al.  
7,562,744 B2 \* 7/2009 Mustalahti et al. .... 187/254

\* cited by examiner

*Primary Examiner* — Doris Clark

(74) *Attorney, Agent, or Firm* — Fraser Clemens Martin & Miller LLC; Charles F. Charpie

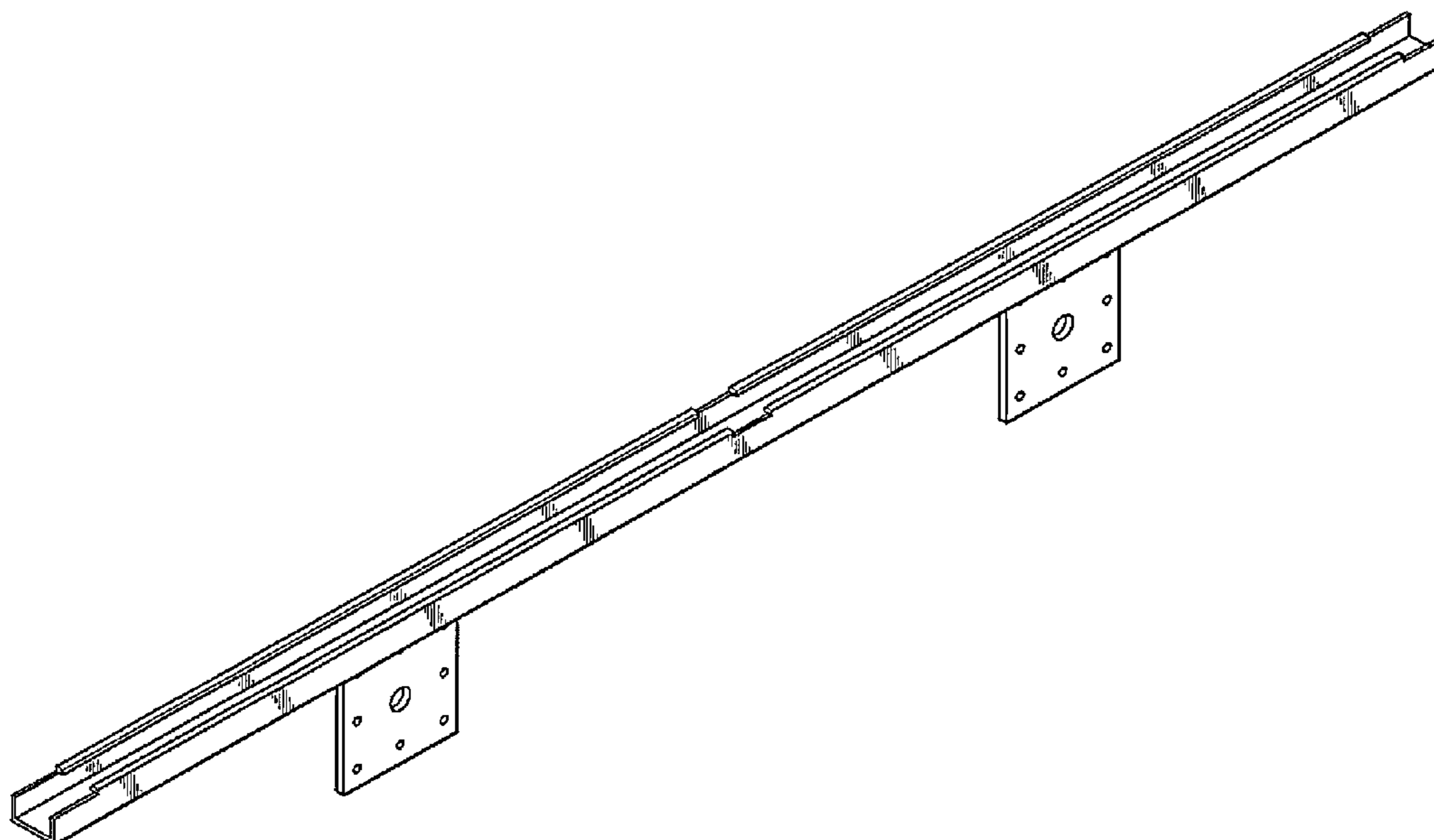
(57) **CLAIM**

The ornamental design for a construction insert for elevator hoistway, as shown and described.

**DESCRIPTION**

FIG. 1 is a front perspective view of a construction insert for elevator hoistway according to the design;  
FIG. 2 is a front elevational view thereof; the rear elevational view being a mirror image thereof;  
FIG. 3 is a top plan view thereof;  
FIG. 4 is a bottom plan view thereof; and,  
FIG. 5 is a right side elevational view thereof, the left side elevational view being a mirror image thereof.

**1 Claim, 2 Drawing Sheets**



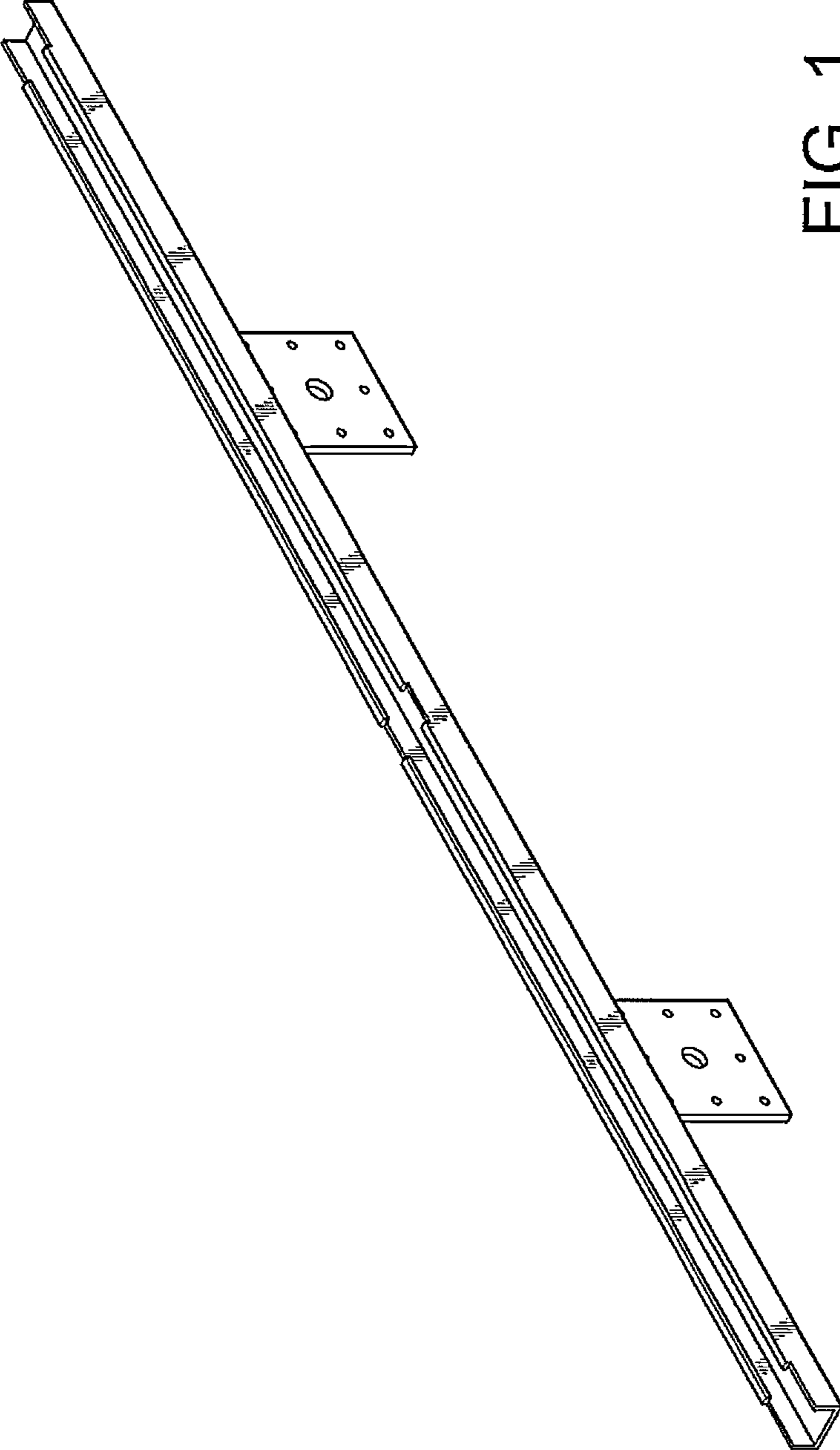


FIG. 1

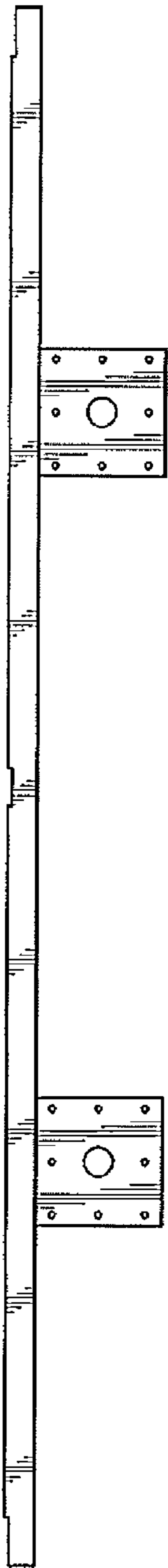


FIG. 2



FIG. 3



FIG. 4

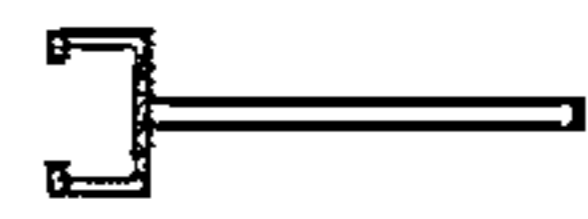


FIG. 5