

US00D696792S

(12) **United States Design Patent**
Cheong

(10) **Patent No.:** **US D696,792 S**

(45) **Date of Patent:** **** Dec. 31, 2013**

(54) **BARRIER STRUCTURE**

(75) **Inventor:** **Alex Cheong**, North Point (HK)

(73) **Assignee:** **Atal Technologies Limited**, North Point (HK)

(**) **Term:** **14 Years**

(21) **Appl. No.:** **29/417,172**

(22) **Filed:** **Mar. 30, 2012**

(30) **Foreign Application Priority Data**

Sep. 30, 2011 (HK) 1101685

(51) **LOC (9) Cl.** **25-02**

(52) **U.S. Cl.**
USPC **D25/48.5**

(58) **Field of Classification Search**
USPC D25/48.5; 49/36, 38, 68
See application file for complete search history.

(56) **References Cited**

U.S. PATENT DOCUMENTS

4,290,230 A * 9/1981 t'Kint de Roodenbeke 49/49

6,460,292 B1 * 10/2002 Rodriguez et al. 49/49
D485,911 S * 1/2004 Learning et al. D25/48.5
6,688,374 B2 * 2/2004 Dondlinger 160/340

* cited by examiner

Primary Examiner — Doris Clark

(74) *Attorney, Agent, or Firm* — Buchanan Ingersoll & Rooney

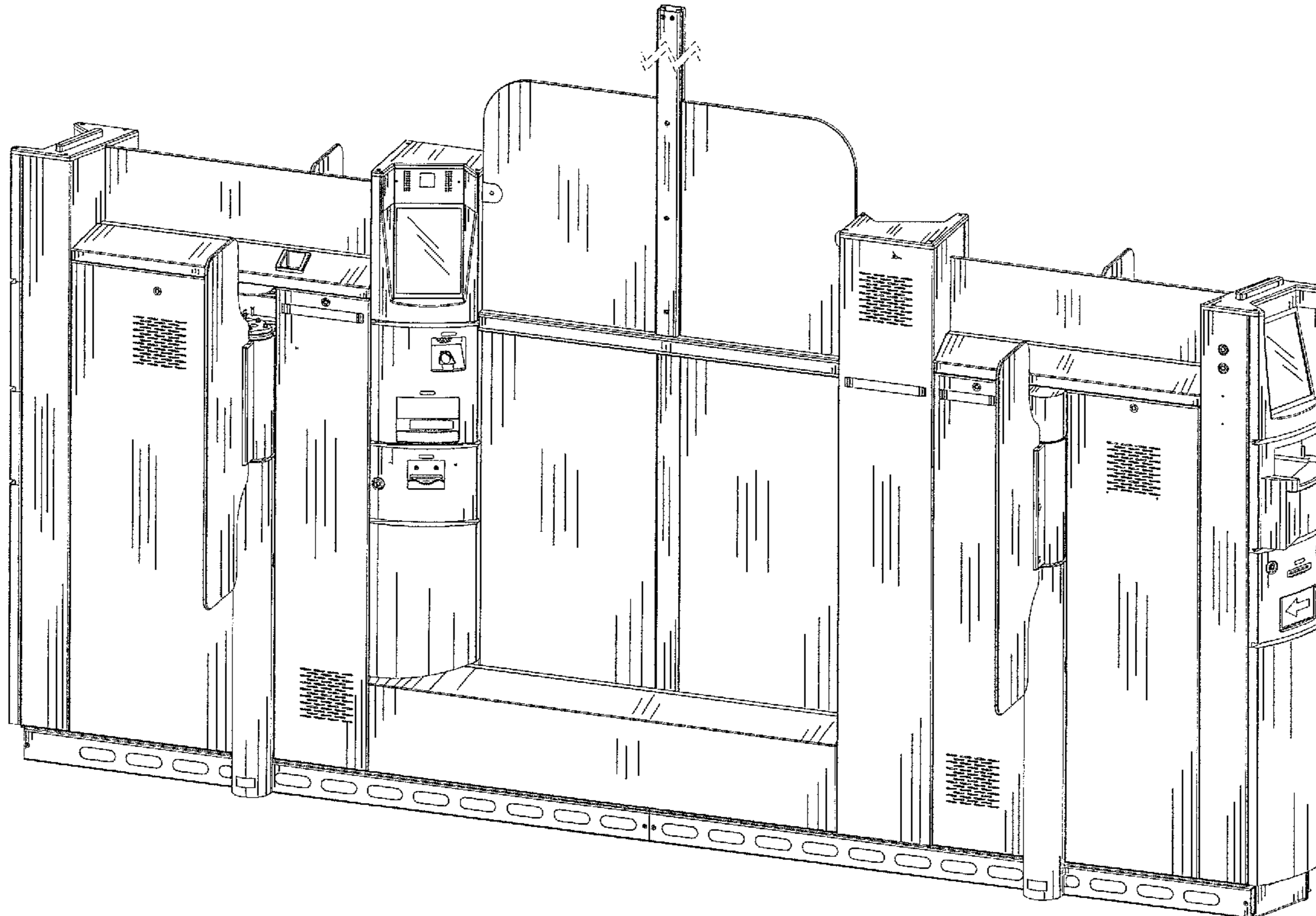
(57) **CLAIM**

The ornamental design for a barrier structure, as shown and described.

DESCRIPTION

FIG. 1 is a perspective view of a barrier structure according to my new design.
FIG. 2 is a front elevational view thereof.
FIG. 3 is a rear elevational view thereof.
FIG. 4 is a left side elevational view thereof, the other side being a mirror image; and,
FIG. 5 is a top plan view thereof.

1 Claim, 5 Drawing Sheets



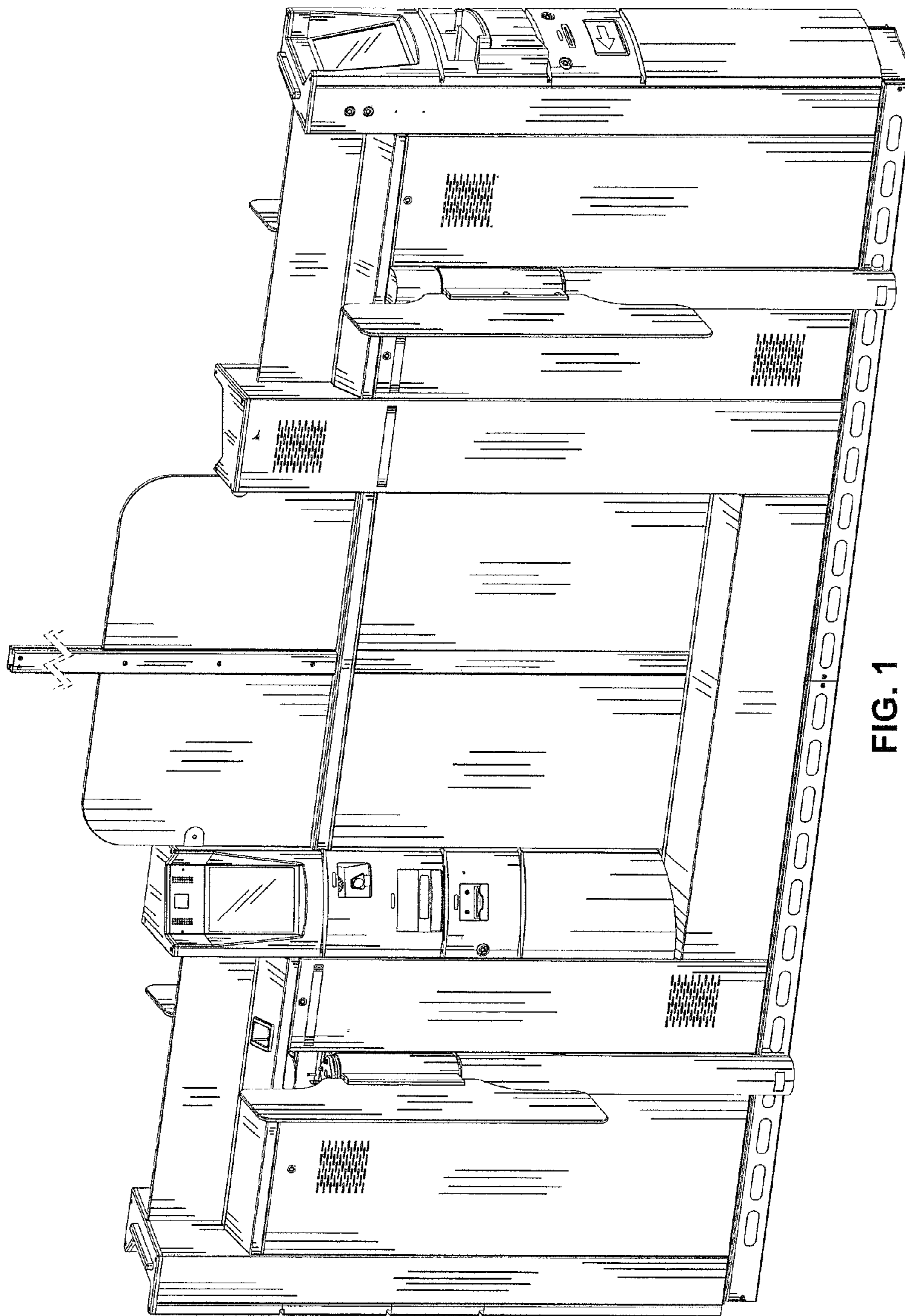


FIG. 1

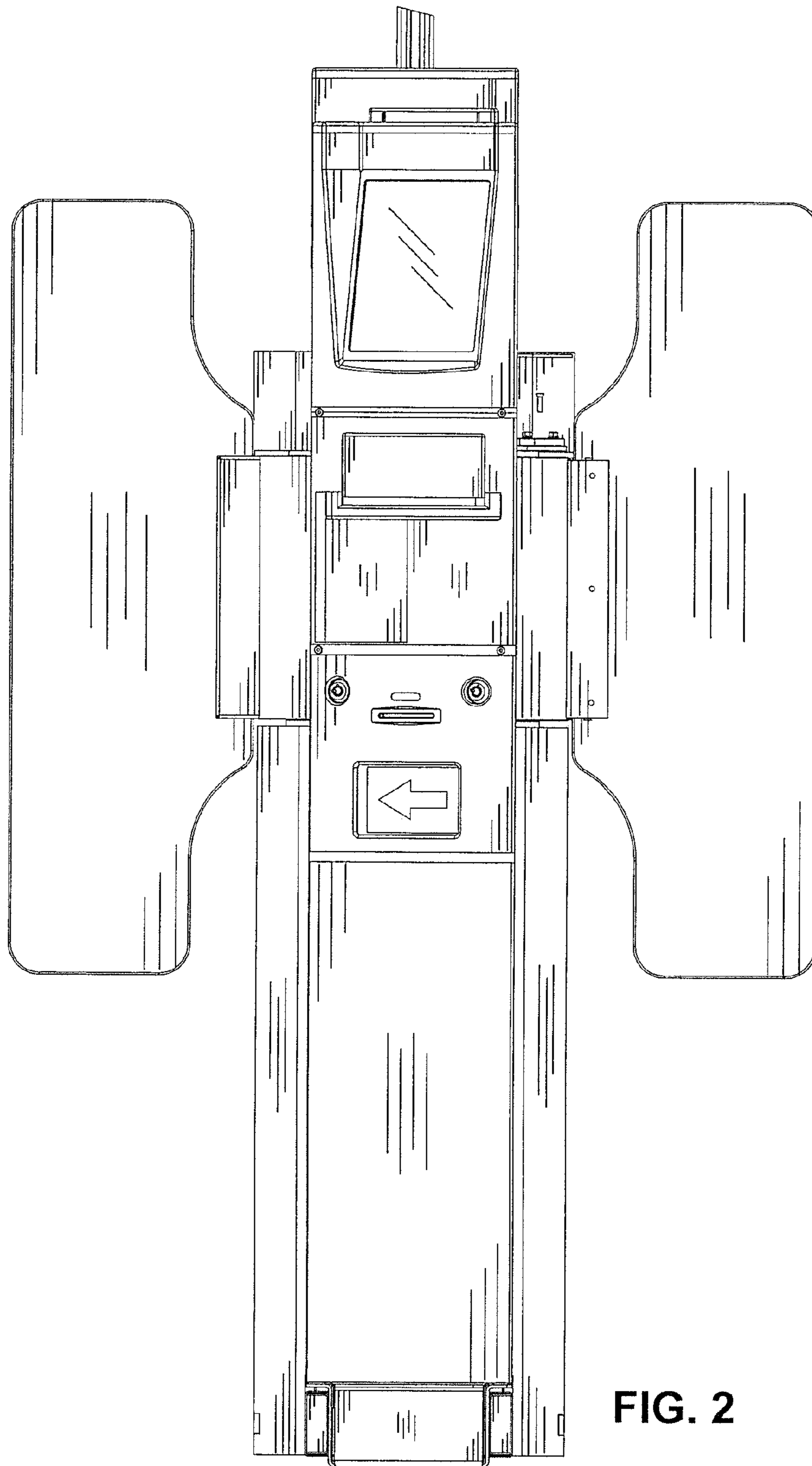


FIG. 2

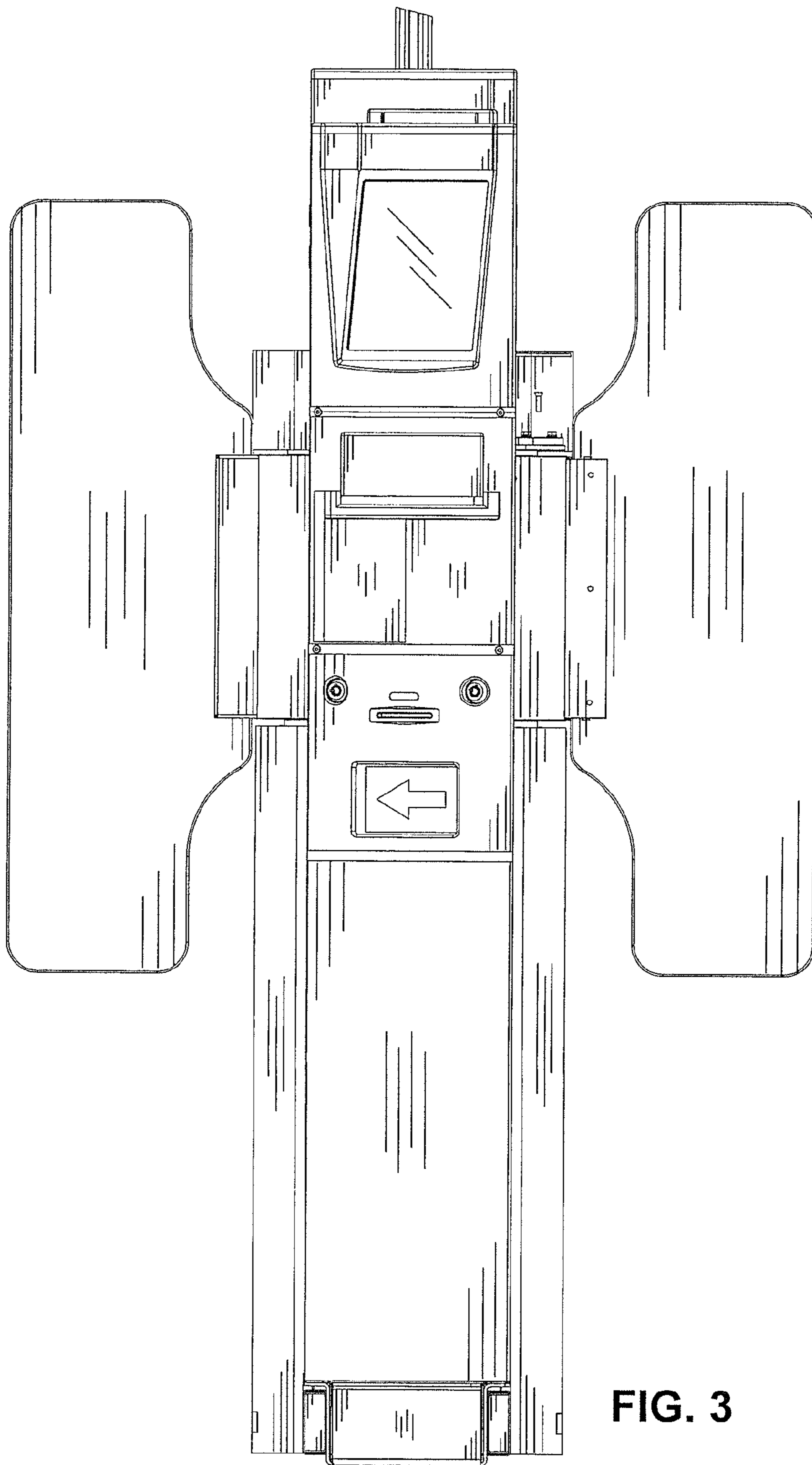
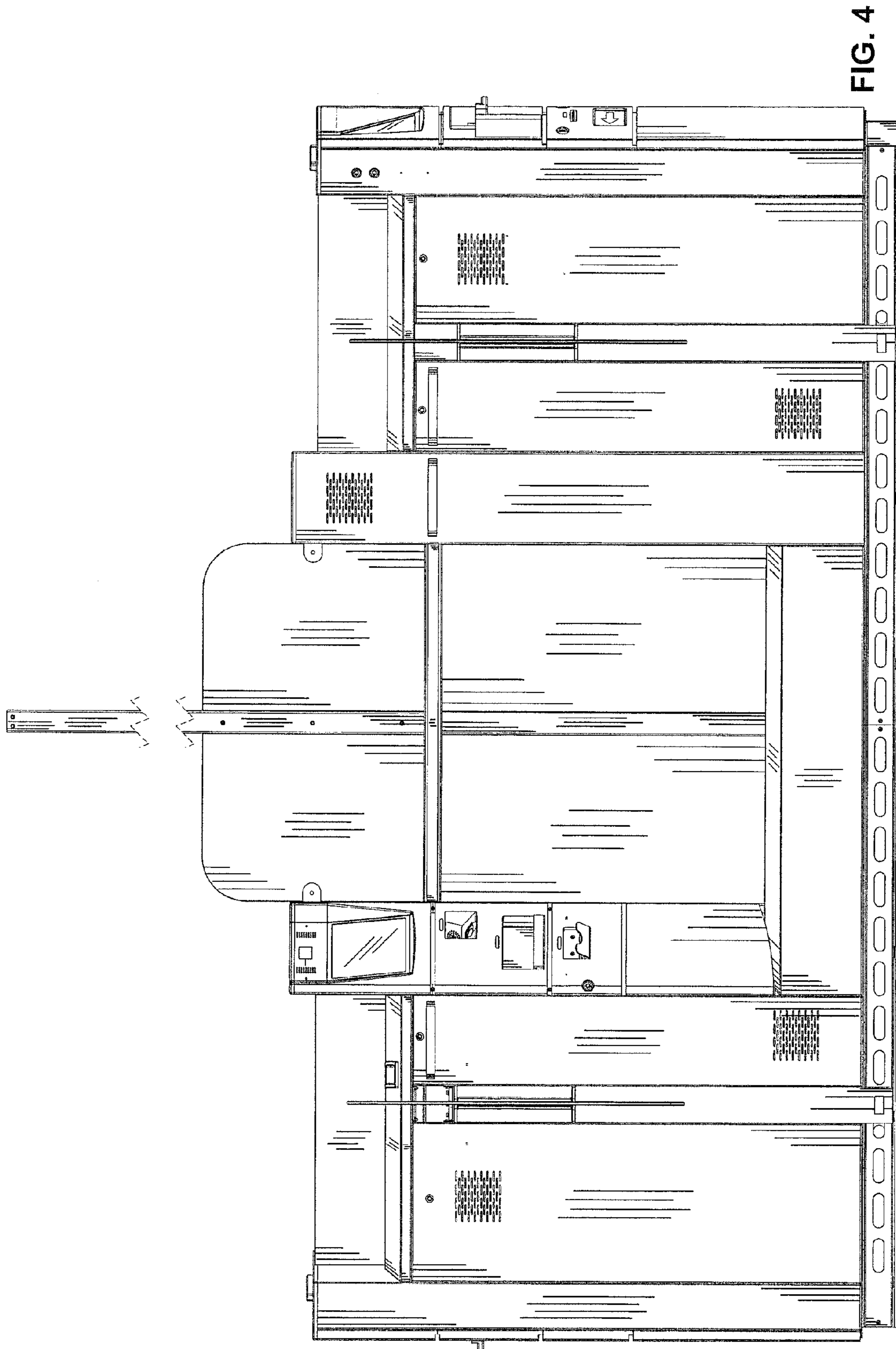


FIG. 3



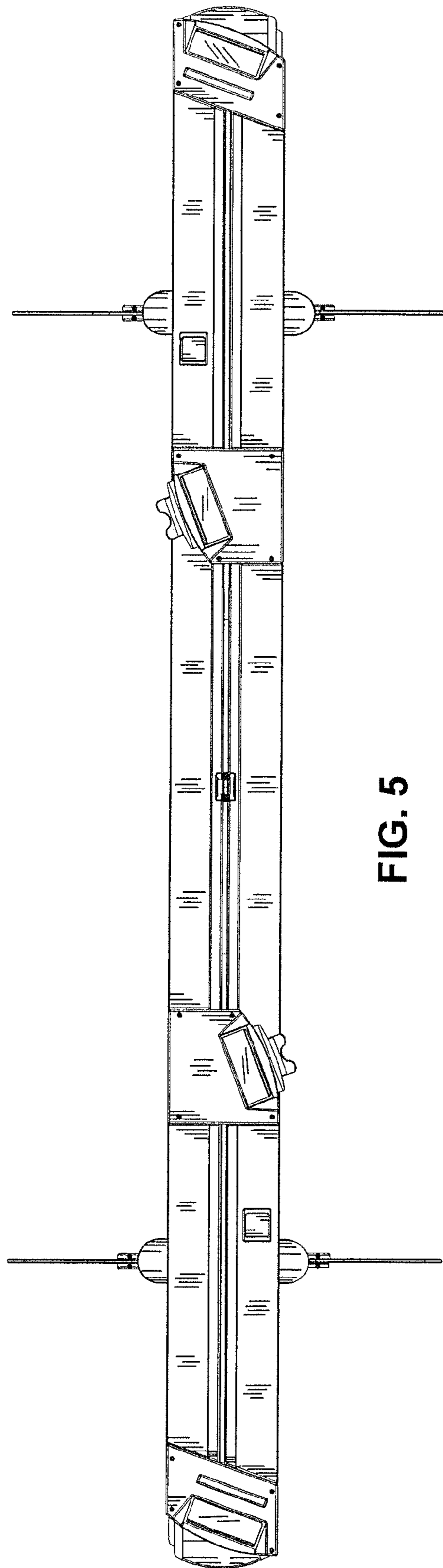


FIG. 5