



US00D696790S

(12) **United States Design Patent**
Nemeth

(10) **Patent No.:** **US D696,790 S**
(45) **Date of Patent:** **** Dec. 31, 2013**

(54) **BEAKER TOP**

(71) Applicant: **Lee L. Nemeth**, Prospect, CT (US)

(72) Inventor: **Lee L. Nemeth**, Prospect, CT (US)

(**) Term: **14 Years**

(21) Appl. No.: **29/447,785**

(22) Filed: **Mar. 6, 2013**

(51) **LOC (9) Cl.** **24-01**

(52) **U.S. Cl.**
USPC **D24/224; D9/454**

(58) **Field of Classification Search**
USPC D24/216, 223, 224, 225, 226, 227, 229,
D24/230, 231, 232; D10/81; D9/756, 759,
D9/760, 503, 504, 435, 436, 444, 445,
D9/454; 435/288.1–288.4, 304.1–304.3,
435/305.1, 305.2, 307, 294.1; 422/547,
422/549, 550–559

See application file for complete search history.

(56) **References Cited**

U.S. PATENT DOCUMENTS

D305,197 S *	12/1989	Valdes	D7/354
5,335,809 A *	8/1994	Toida et al.	220/592.27
D479,951 S *	9/2003	Segura	D7/608
D493,722 S *	8/2004	Cooper	D9/504
D506,261 S *	6/2005	Hellstrom	D24/224
D595,424 S *	6/2009	Stvartak et al.	D24/231
D602,164 S *	10/2009	Speth et al.	D24/224
D607,117 S *	12/2009	Horton et al.	D24/224
D612,240 S *	3/2010	Cresswell et al.	D9/504
D673,198 S *	12/2012	Schneider	D16/130
D673,598 S *	1/2013	Schneider	D16/130

* cited by examiner

Primary Examiner — Anhdao Doan

(74) *Attorney, Agent, or Firm* — Ware, Fressola, Maguire & Barber LLP

(57) **CLAIM**

I claim the ornamental design for a beaker top, as shown and described.

DESCRIPTION

FIG. 1 is a left side elevational view of the beaker top showing the invention separated from an exemplary beaker, the right side view would be a mirror image thereof;

FIG. 2 is a front elevational view of the beaker top of the invention separated from the exemplary beaker, the rear view would be a mirror image thereof;

FIG. 3 is a top perspective view of the beaker top of the invention separated from the exemplary beaker;

FIG. 4 is a left side elevational view of the beaker top of the invention assembled on the exemplary beaker, the right side view would be a mirror image thereof;

FIG. 5 is a top perspective view of the beaker top of the invention assembled on the exemplary beaker;

FIG. 6 is a bottom perspective view of the beaker top of the invention assembled on the exemplary beaker;

FIG. 7 is a bottom plan view of the beaker top of the invention assembled on the exemplary beaker;

FIG. 8 is a top plan view of the beaker top of the invention;

FIG. 9 is a bottom plan view of the beaker top of the invention;

FIG. 10 is a left side elevation view of the beaker top of the invention, the right side view would be a mirror image thereof;

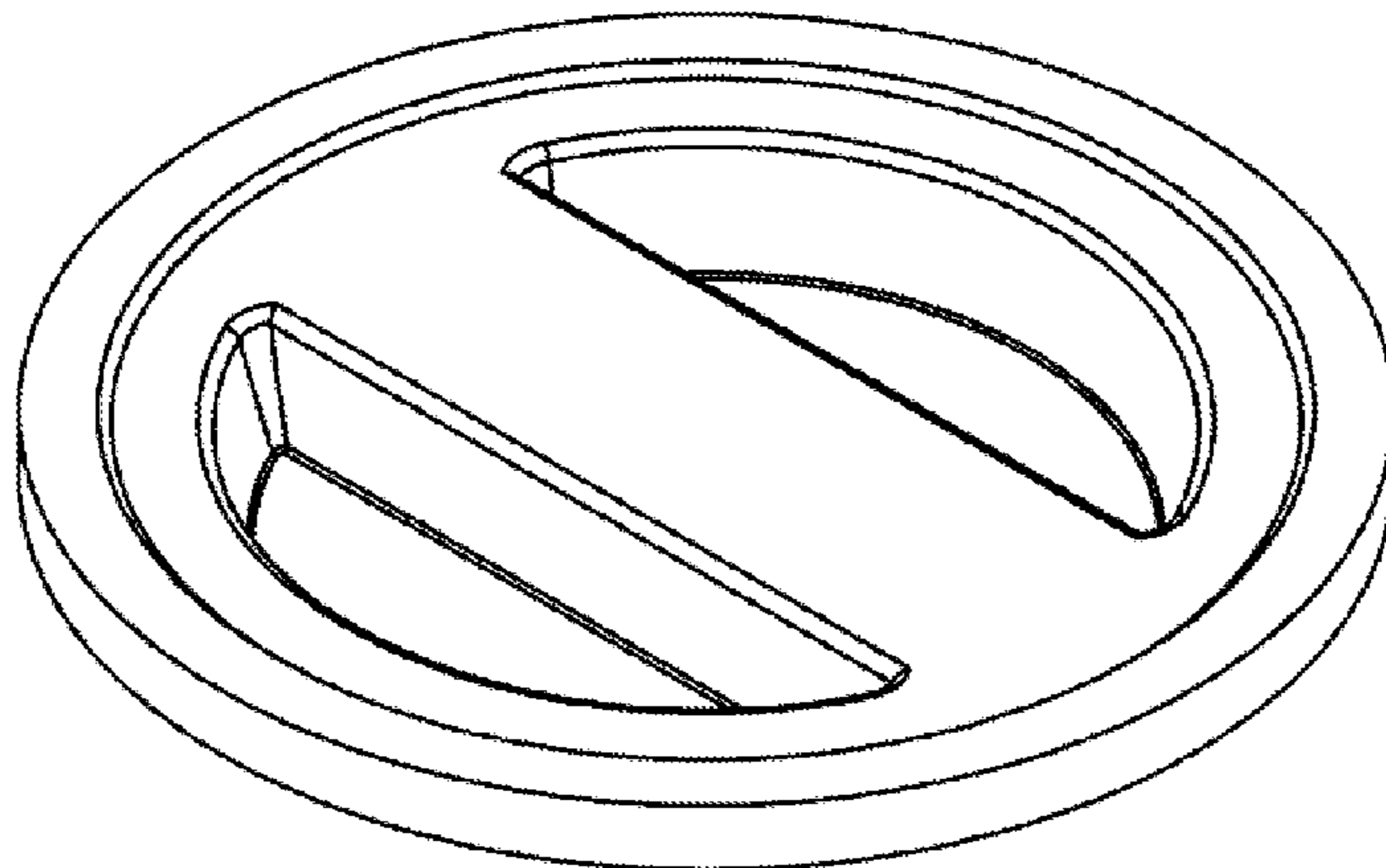
FIG. 11 is a front elevational view of the beaker top of the invention, the rear view would be a mirror image thereof;

FIG. 12 is a top perspective view of the beaker top of the invention; and,

FIG. 13 is a bottom perspective view of the beaker top of the invention.

The broken lines depicting the beaker are included to represent the environmental structure and form no part of the claimed design.

1 Claim, 9 Drawing Sheets



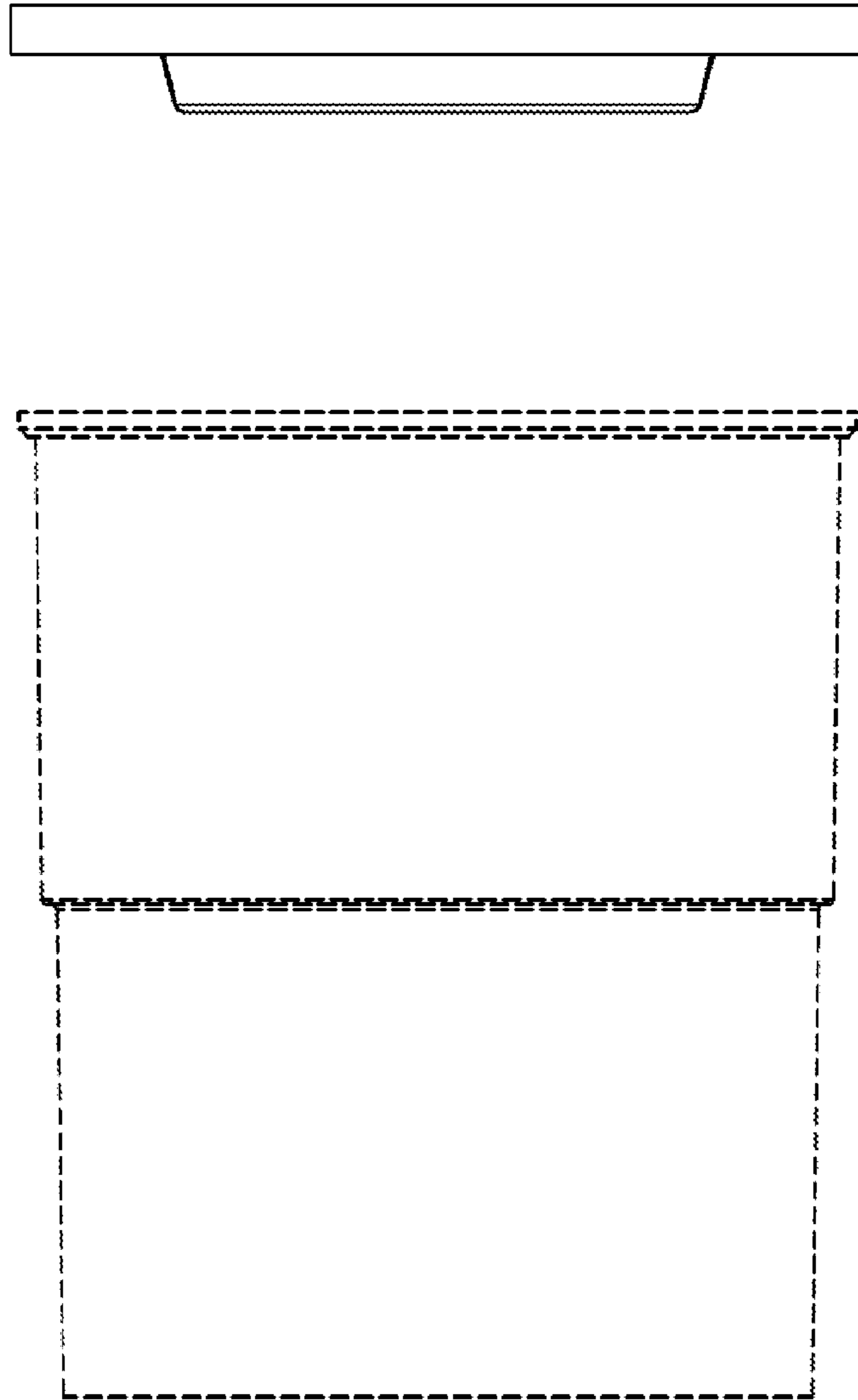


FIG. 1

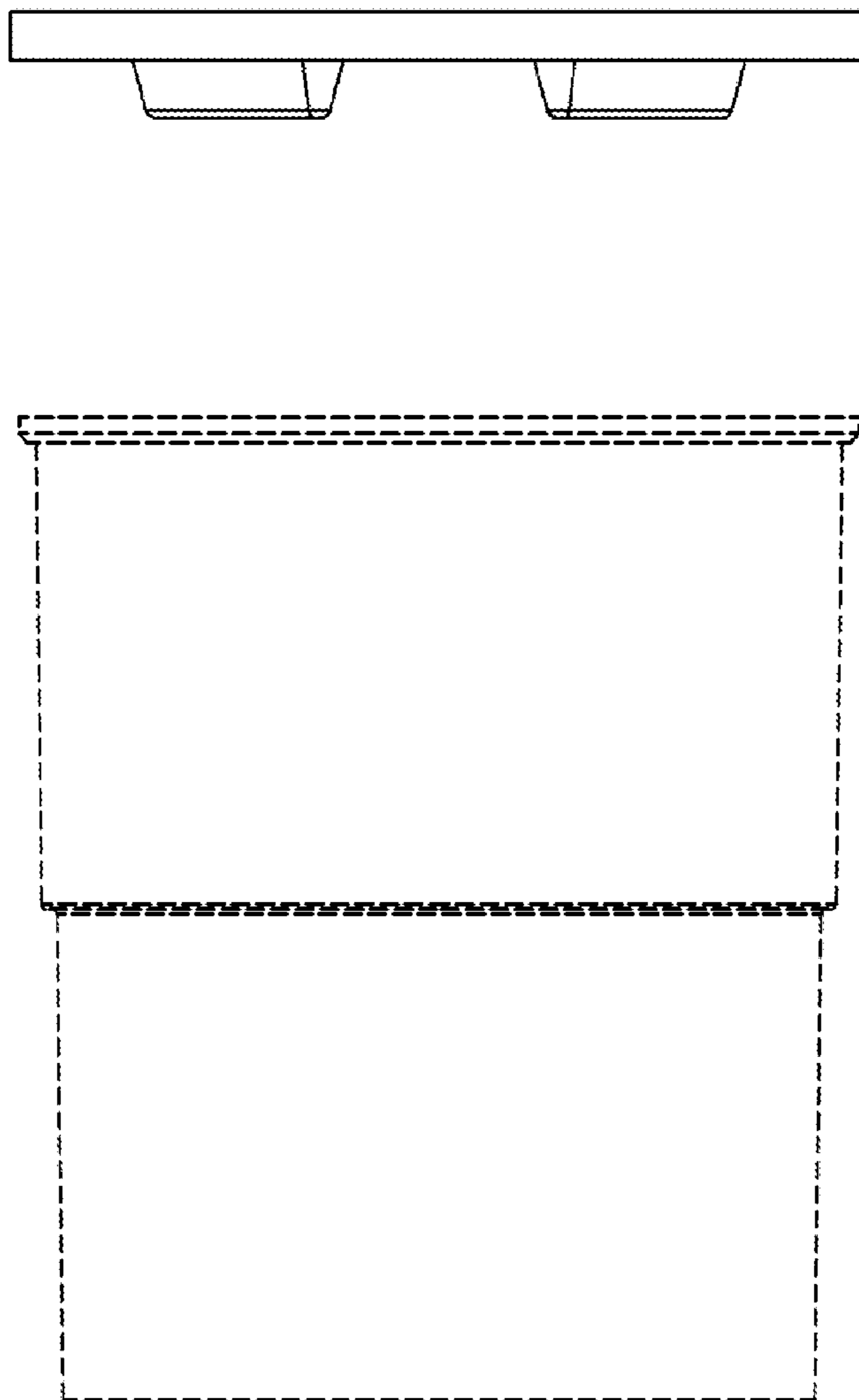


FIG. 2

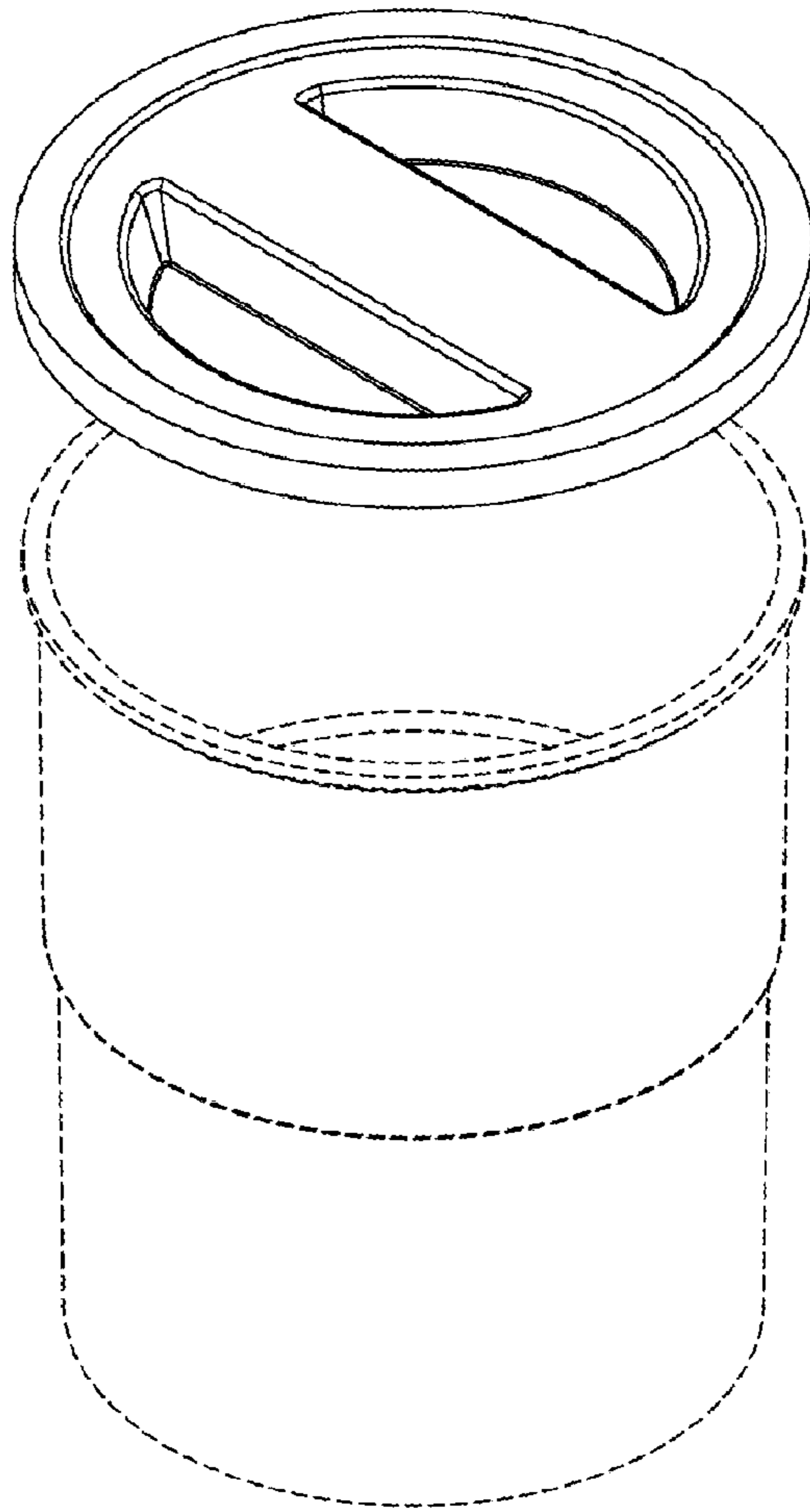


FIG. 3

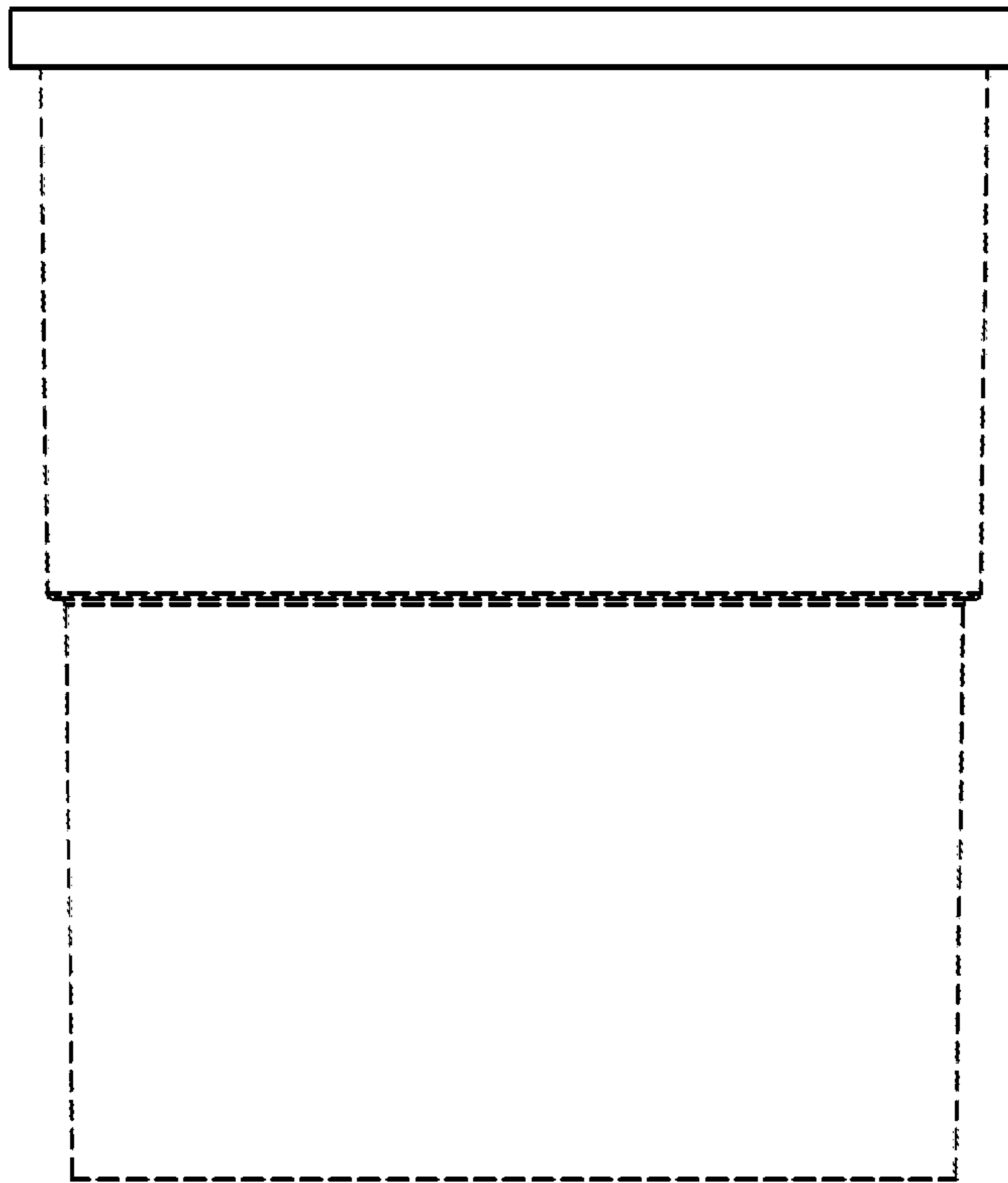


FIG. 4

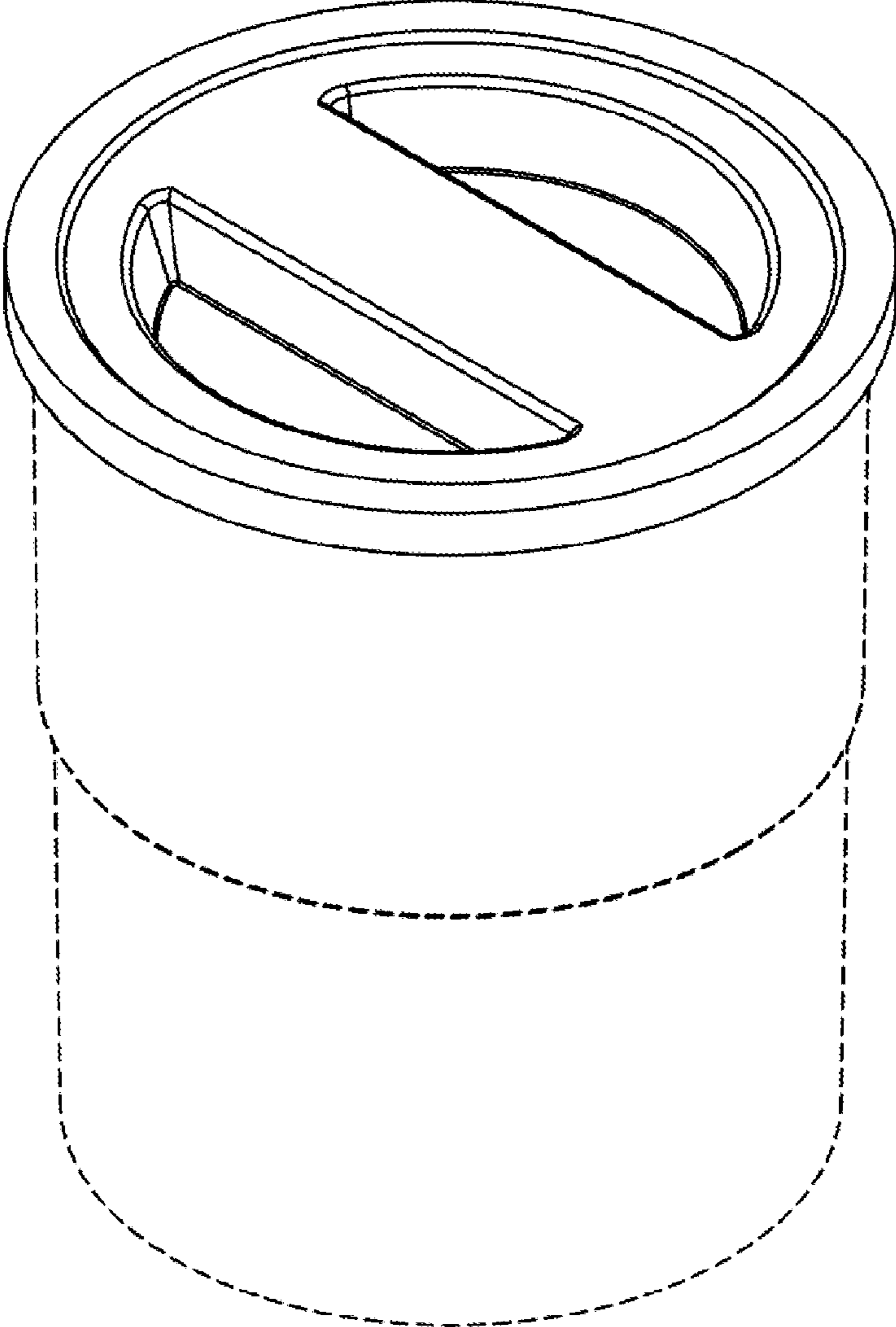


FIG. 5

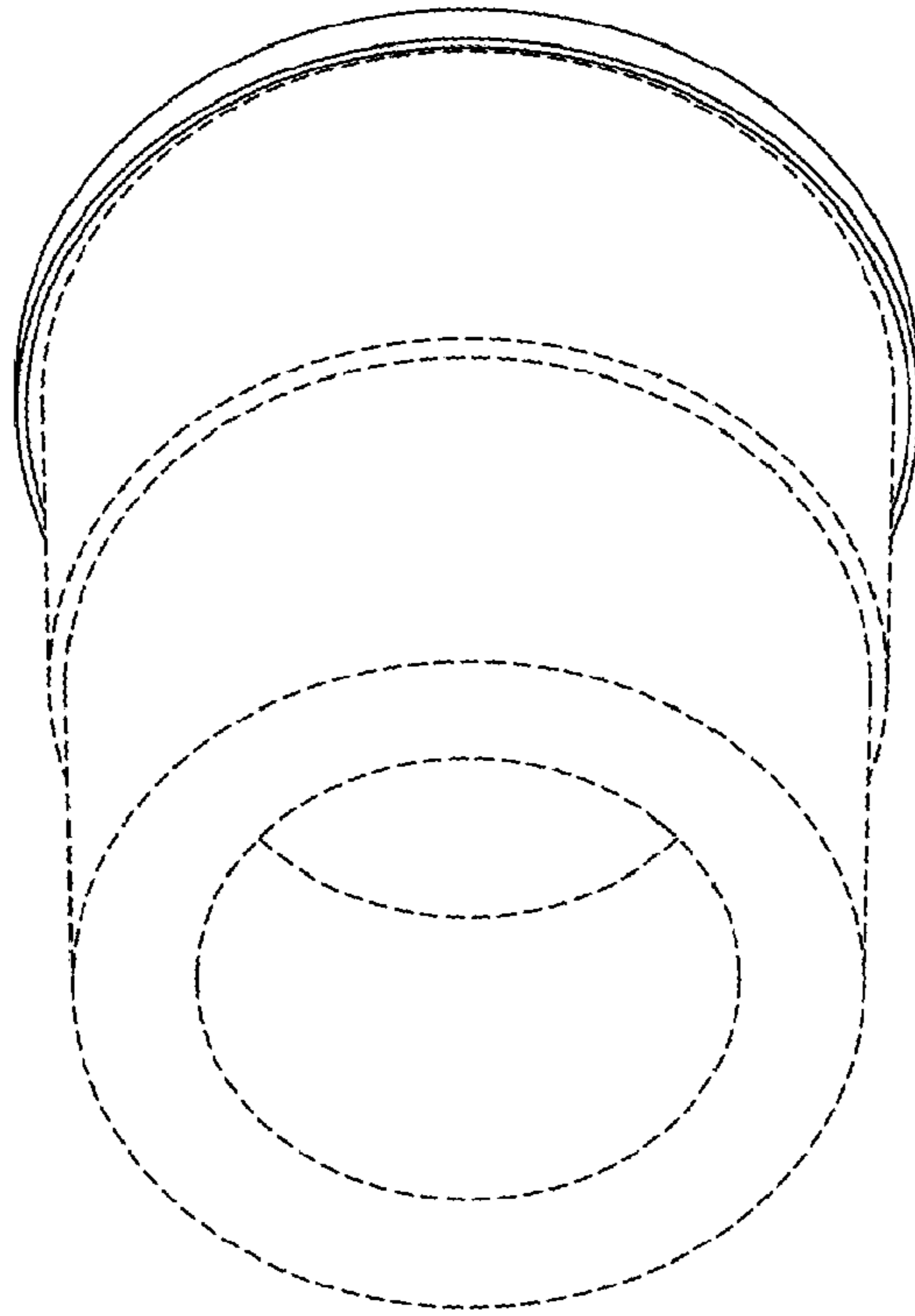


FIG. 6

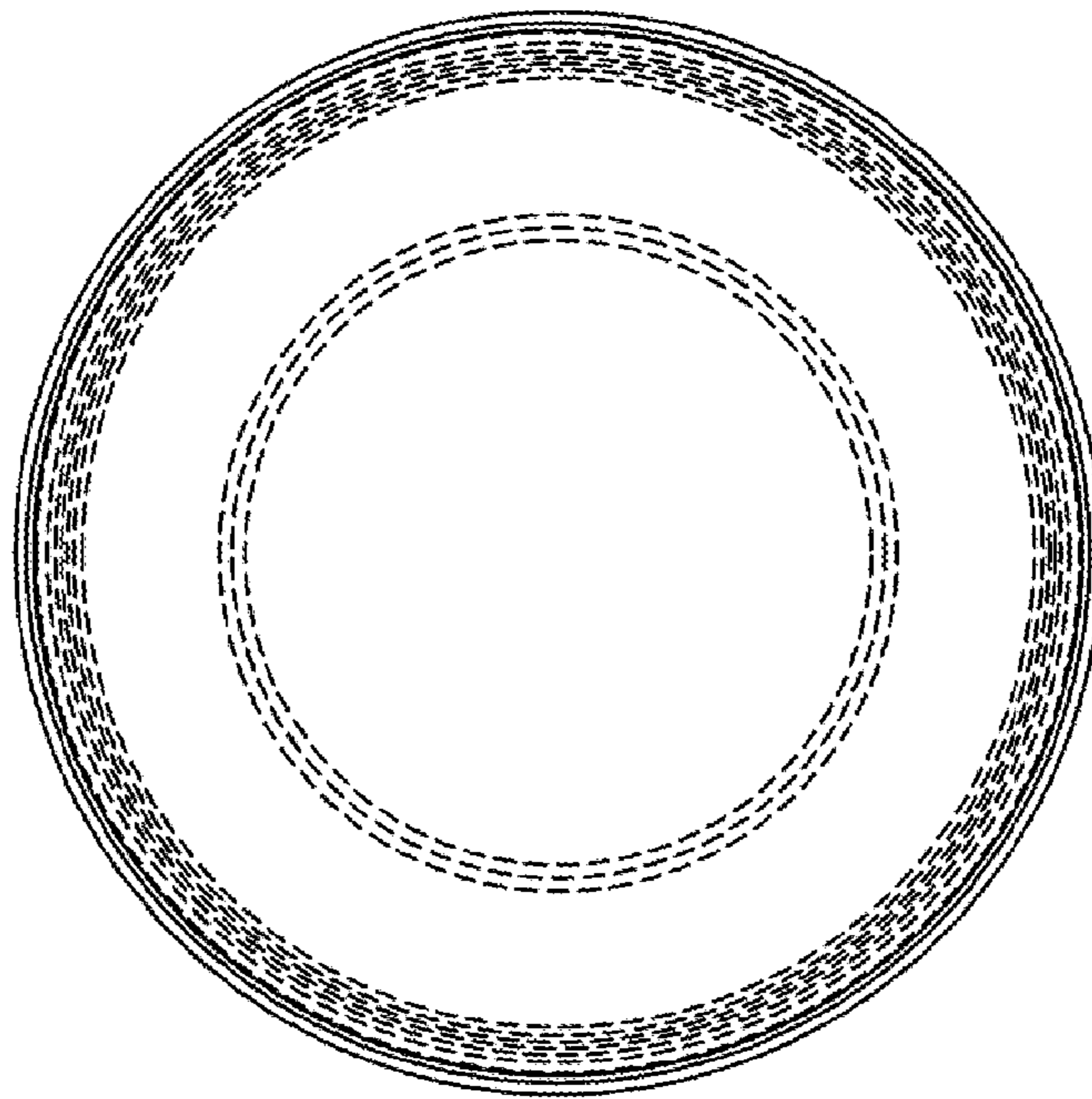


FIG. 7

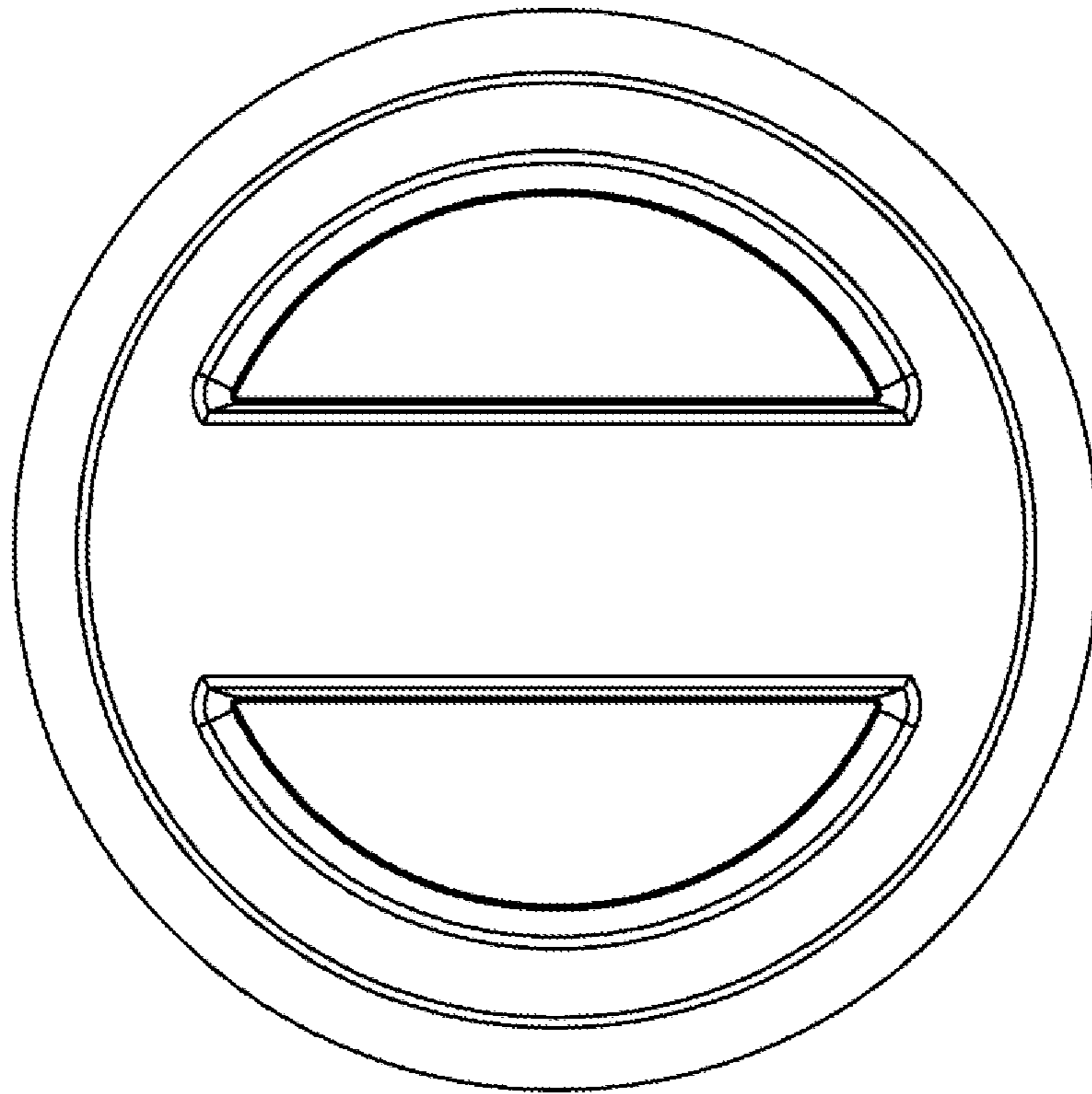


FIG. 8

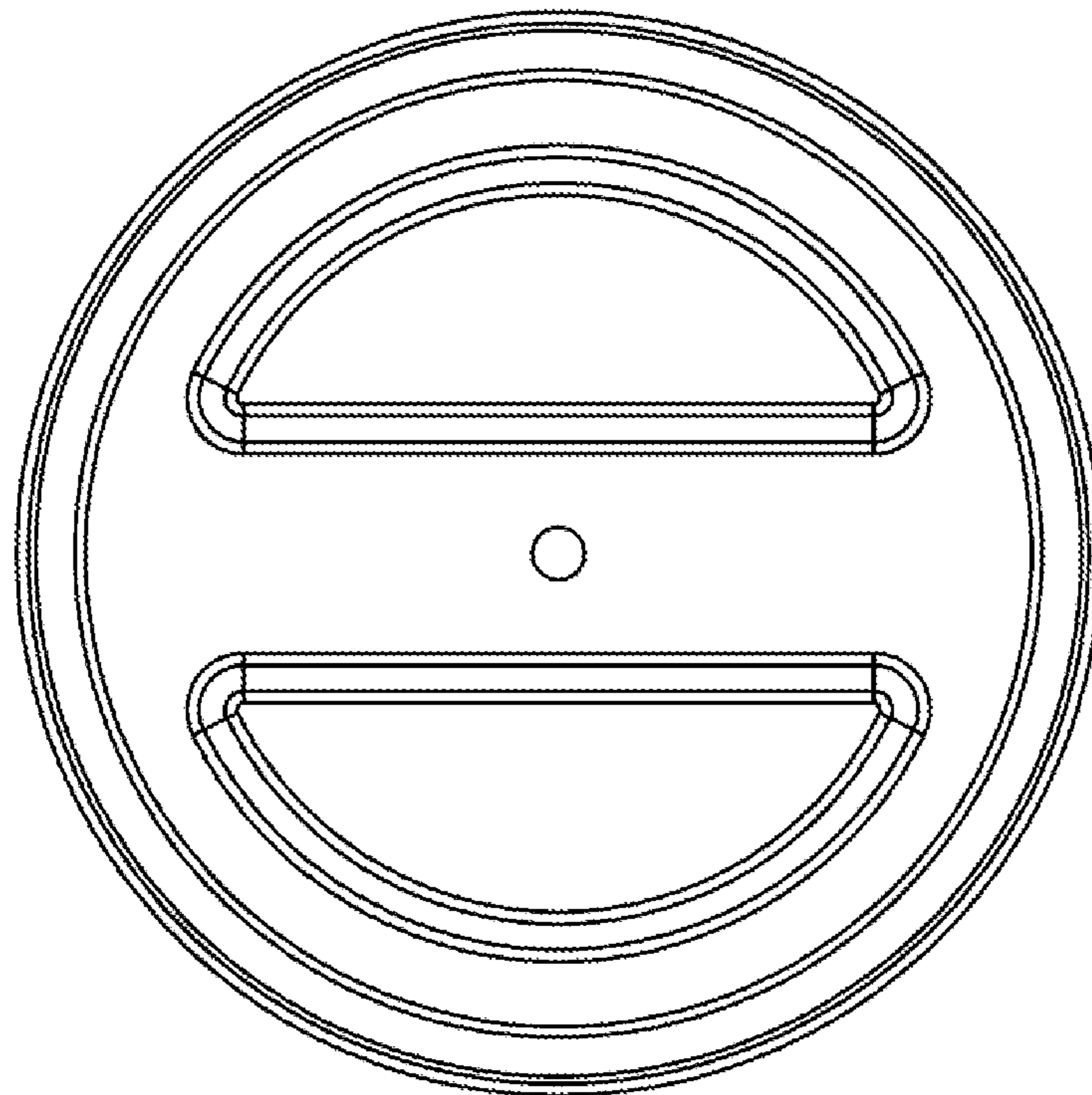


FIG. 9

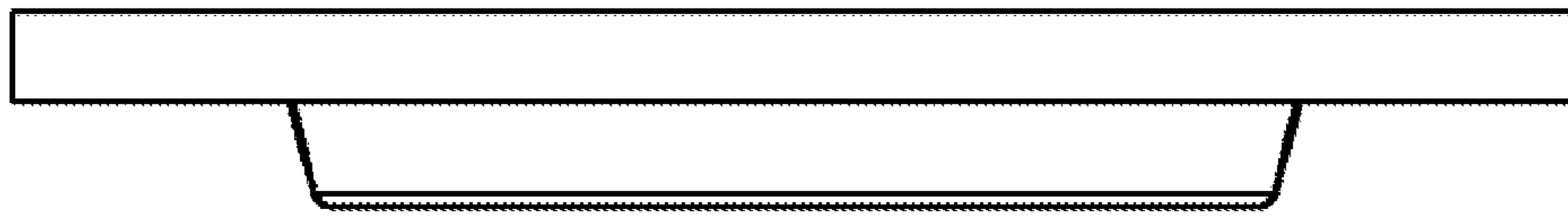


FIG. 10

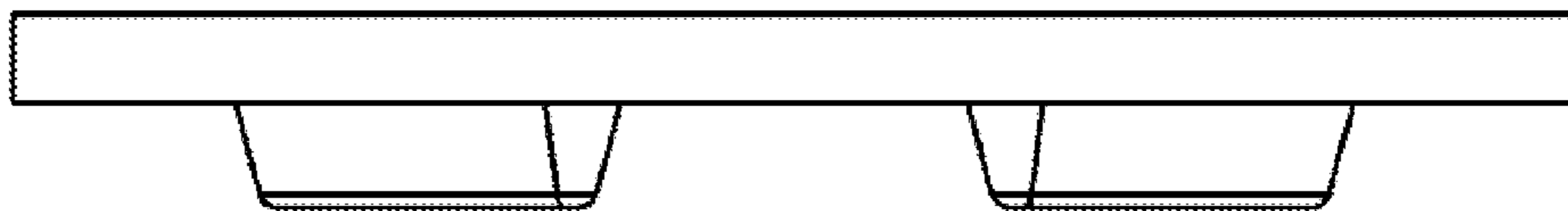


FIG. 11

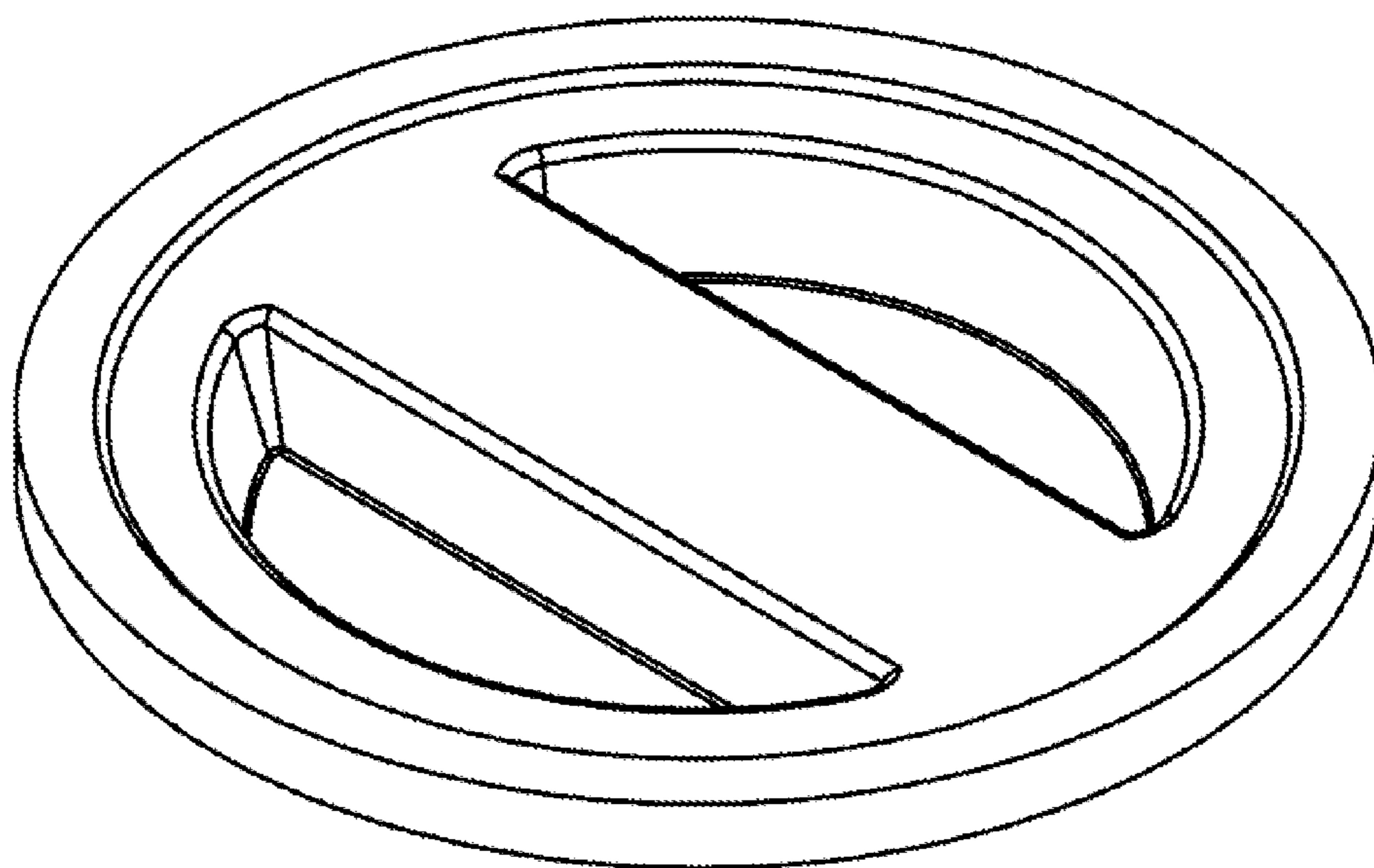


FIG. 12

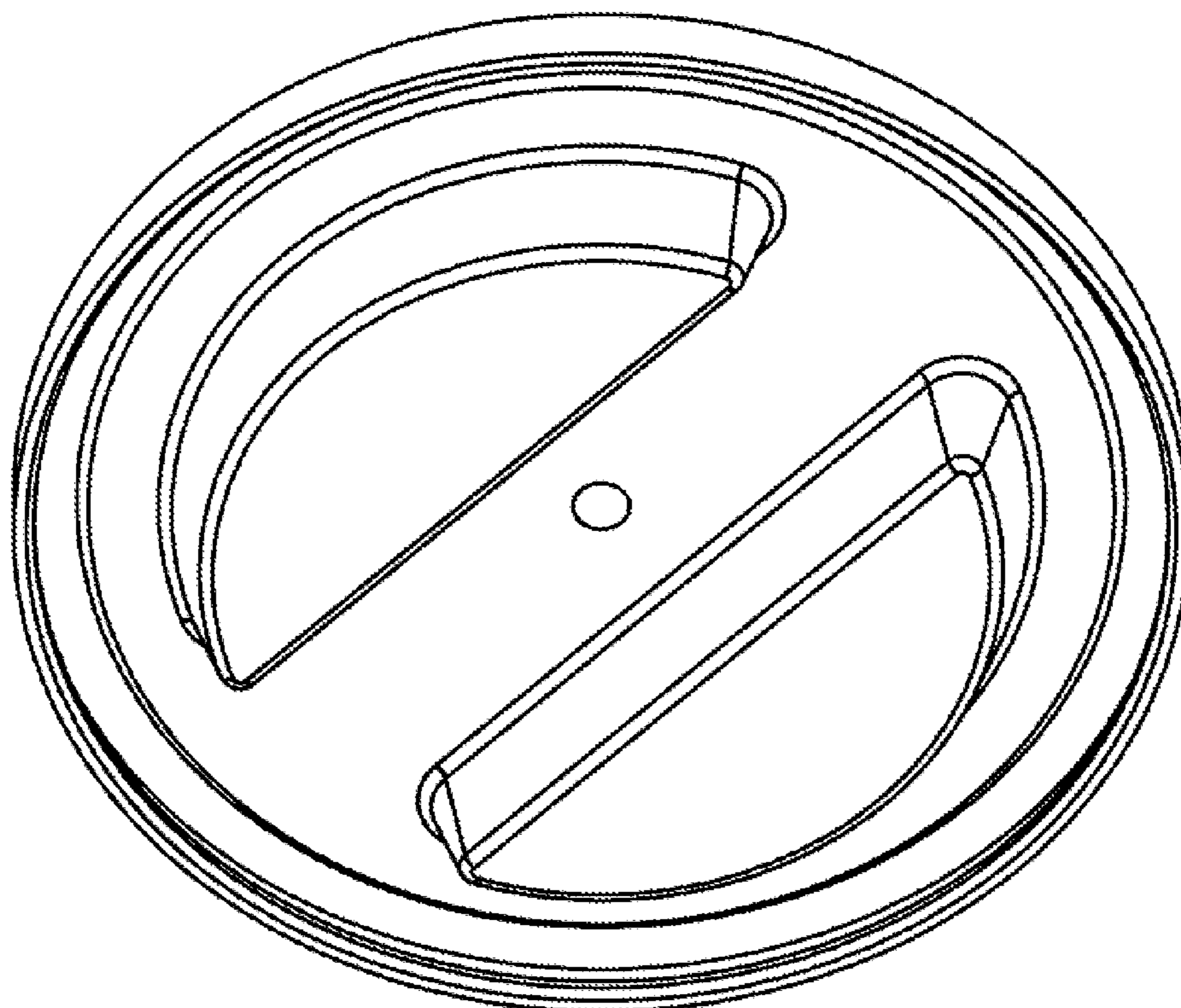


FIG. 13