



US00D696787S

(12) **United States Design Patent**
Walter et al.

(10) **Patent No.:** **US D696,787 S**
(45) **Date of Patent:** **** *Dec. 31, 2013**

(54) **MIXING ELEMENT**

(75) Inventors: **Alexander Walter**, Pürgen (DE); **Özcan Dönmez**, Landsberg am Lech (DE); **Korbinian Schepke-Gerlach**, Gauting (DE); **Emir Jelovac**, München (DE); **Manfred Harre**, Landsberg am Lech (DE); **Jens Gramann**, Gräfelfing (DE)

(73) Assignee: **3M Innovative Properties Company**, Saint Paul, MN (US)

(*) Notice: This patent is subject to a terminal disclaimer.

(**) Term: **14 Years**

(21) Appl. No.: **29/398,426**

(22) Filed: **Jul. 29, 2011**

(30) **Foreign Application Priority Data**

Feb. 1, 2011 (EM) 001257497/0001-0016

(51) **LOC (9) Cl.** **24-01**

(52) **U.S. Cl.**
USPC **D24/220**

(58) **Field of Classification Search**
USPC D24/220, 221, 176, 180; D7/379;
D15/19, 138, 147; 366/172.1, 181.4,
366/307, 318, 320, 323, 336, 339;
222/145.6

See application file for complete search history.

(56) **References Cited**

U.S. PATENT DOCUMENTS

D269,039 S 5/1983 Klein
D290,395 S 6/1987 Stevens et al.
5,249,862 A 10/1993 Herold et al.
6,244,740 B1 6/2001 Wagner et al.

6,394,643 B1 5/2002 Bublewitz et al.
6,443,612 B1 9/2002 Keller
6,523,992 B1 2/2003 Bublewitz et al.
D472,323 S * 3/2003 Sand D24/220

(Continued)

FOREIGN PATENT DOCUMENTS

DE 20302987 4/2003
EP 1149627 10/2001
WO WO 98/43727 10/1998

OTHER PUBLICATIONS

Color photograph (one page) of a Penta Mixing Tip, 3M ESPE Item #71510 (white mixing tip shaft), which was made commercially available by 3M ESPE Dental Products prior to Sep. 20, 2004.

(Continued)

Primary Examiner — Anhdao Doan

(74) *Attorney, Agent, or Firm* — Qiang Han; 3M Innovative Properties Company

(57) **CLAIM**

The ornamental design for a mixing element, as shown and described.

DESCRIPTION

FIG. 1 is a perspective view of a new design for a mixing element;

FIG. 2 is a back view thereof;

FIG. 3 is a front view thereof;

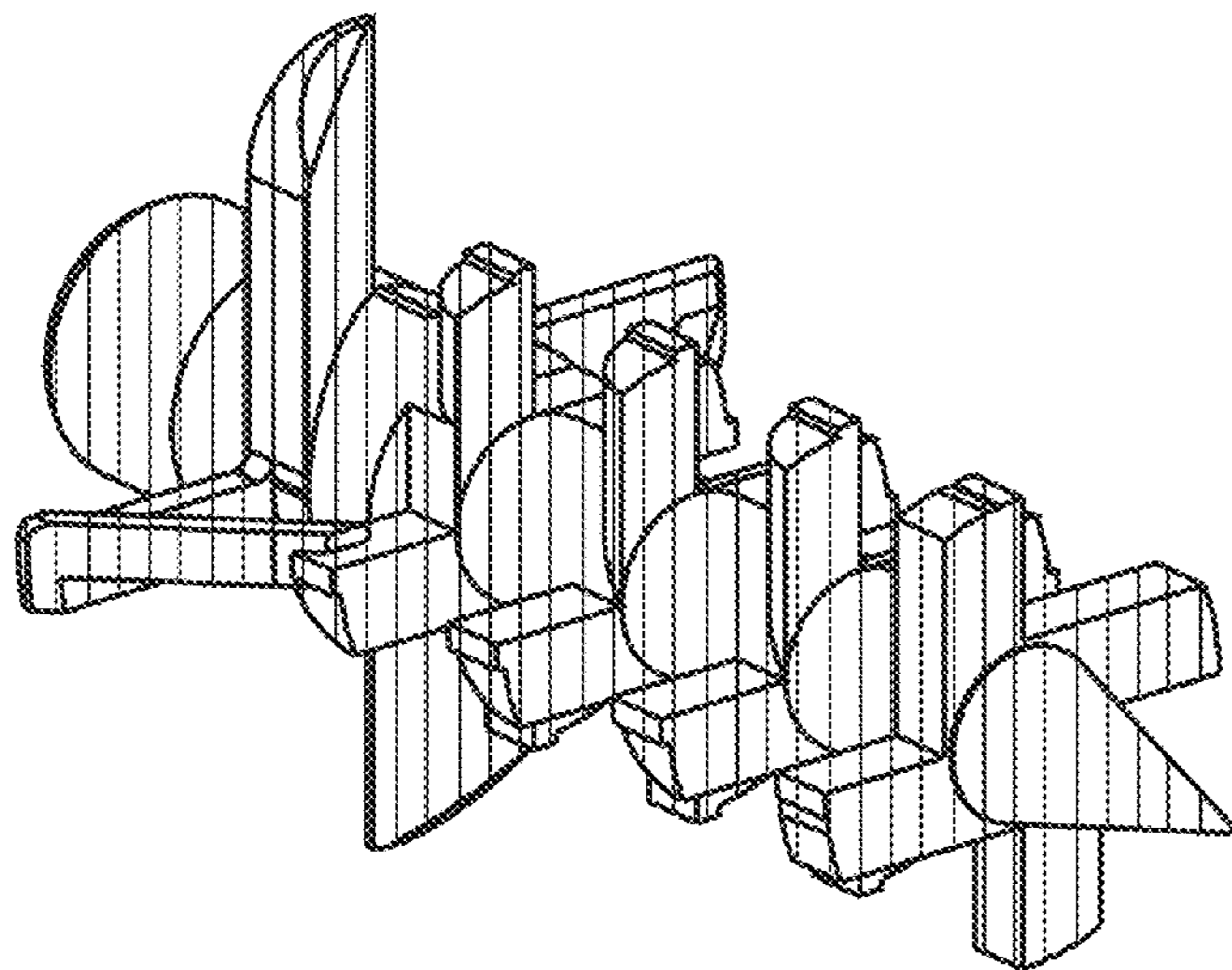
FIG. 4 is a side view thereof; and,

FIG. 5 is a top view thereof.

The broken lines in the drawing views are included for the purpose of illustrating portions of the mixing element that form no part of the claimed design.

The drawings are lined for color. The lining on the surfaces of the claimed design represents red.

1 Claim, 1 Drawing Sheet



(56)

References Cited

U.S. PATENT DOCUMENTS

D474,271	S	5/2003	Iori et al.	
D483,495	S	12/2003	Sand	
6,837,612	B2	1/2005	Bublewitz et al.	
7,320,541	B2	1/2008	Wagner	
D571,479	S	6/2008	Wagner	
D571,927	S	6/2008	Wagner	
D607,476	S *	1/2010	Saul	D15/138
D608,800	S *	1/2010	Ettlin	D15/138
D617,001	S	6/2010	Lee	
7,731,413	B2 *	6/2010	Busin et al.	366/171.1
D622,298	S *	8/2010	Ettlin	D15/138
7,771,110	B2	8/2010	Wang	
D672,873	S *	12/2012	An	D24/176
2001/0005338	A1	6/2001	Muhlbauer et al.	
2002/0175186	A1	11/2002	Keller	
2003/0137898	A1	7/2003	Wagner et al.	
2004/0085854	A1	5/2004	Pauser et al.	
2012/0218856	A1	8/2012	Walter	

OTHER PUBLICATIONS

Color photograph (one page) of a MixPac Systems AG dynamic mixing tip (blue mixing tip shaft), which was publicly available prior to Sep. 20, 2004.

Color photograph (one page) of a Heraeus Kulzer GmbH dynamic mixing tip (grey mixing tip shaft), which was publicly available prior to Sep. 20, 2004.

Color photograph (one page) of a Heraeus Kulzer GmbH dynamic mixing tip (blue mixing tip shaft), which was publicly available prior to Sep. 20, 2004.

Color photograph (one page) of a Heraeus Kulzer GmbH dynamic mixing tip (white mixing tip shaft), which was publicly available prior to Sep. 20, 2004.

Color photograph (one page) of a Kettenbach GmbH & Co. KG Panasil Binetics Putty Dynamic Mixer Mixing Tip (white mixing tip shaft), which was publicly available prior to Sep. 20, 2004.

Color photograph (one page) of a Kettenbach GmbH & Co. KG dynamic mixing tip (white mixing tip shaft), which was publicly available prior to Sep. 20, 2004.

Color photograph (one page) of a Kettenbach GmbH & Co. KG dynamic mixing tip (grey mixing tip shaft), which was publicly available prior to Sep. 20, 2004.

Color photograph (one page) of a DMG Chemisch-Pharmazeutische Fabrik GmbH dynamic mixing tip, which was publicly available prior to Sep. 20, 2004.

Color photograph (one page) of a DMG Chemisch-Pharmazeutische Fabrik GmbH Honigum—Heavy, MixStar Tip, which was publicly available prior to Sep. 20, 2004.

* cited by examiner

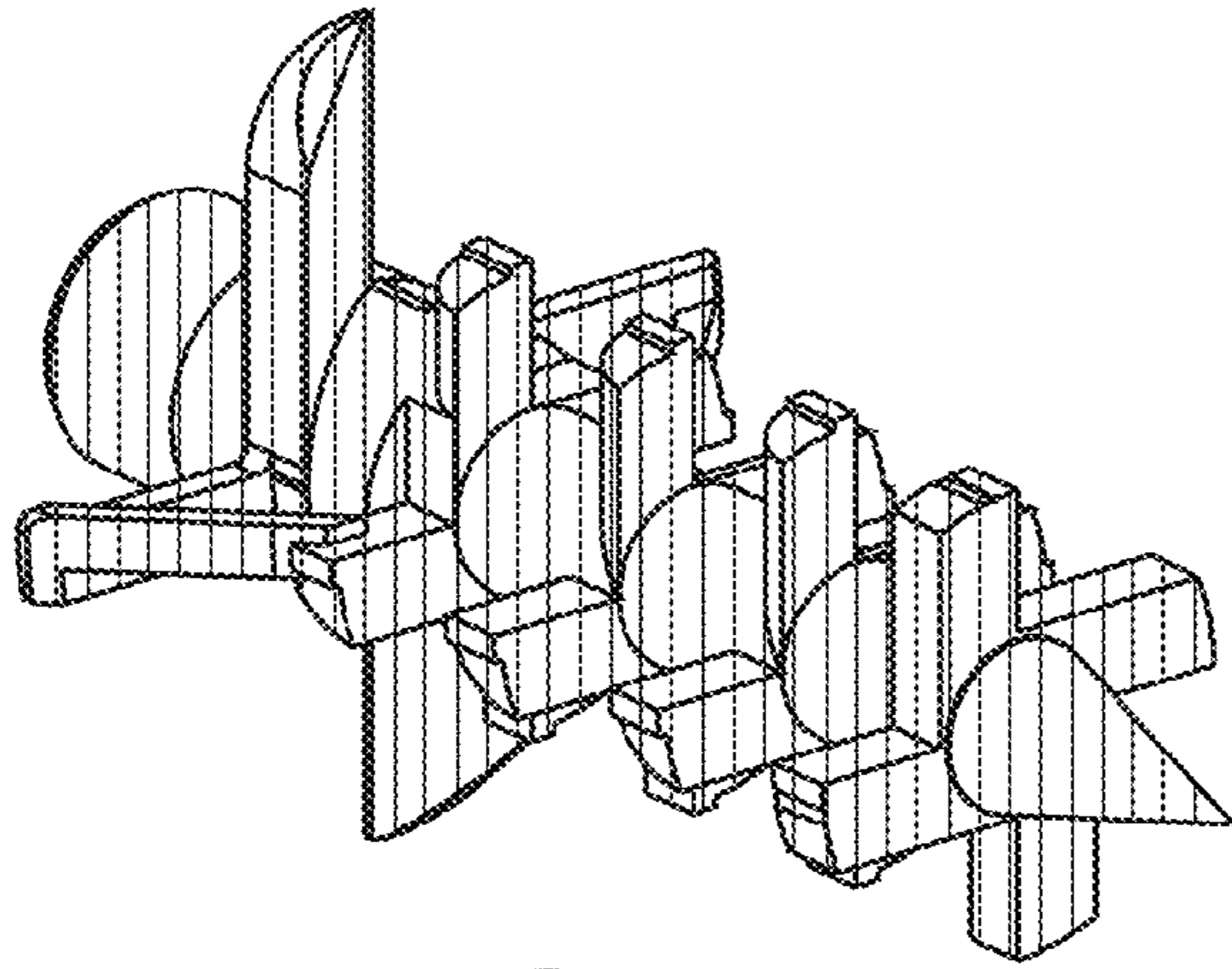


FIG. 1

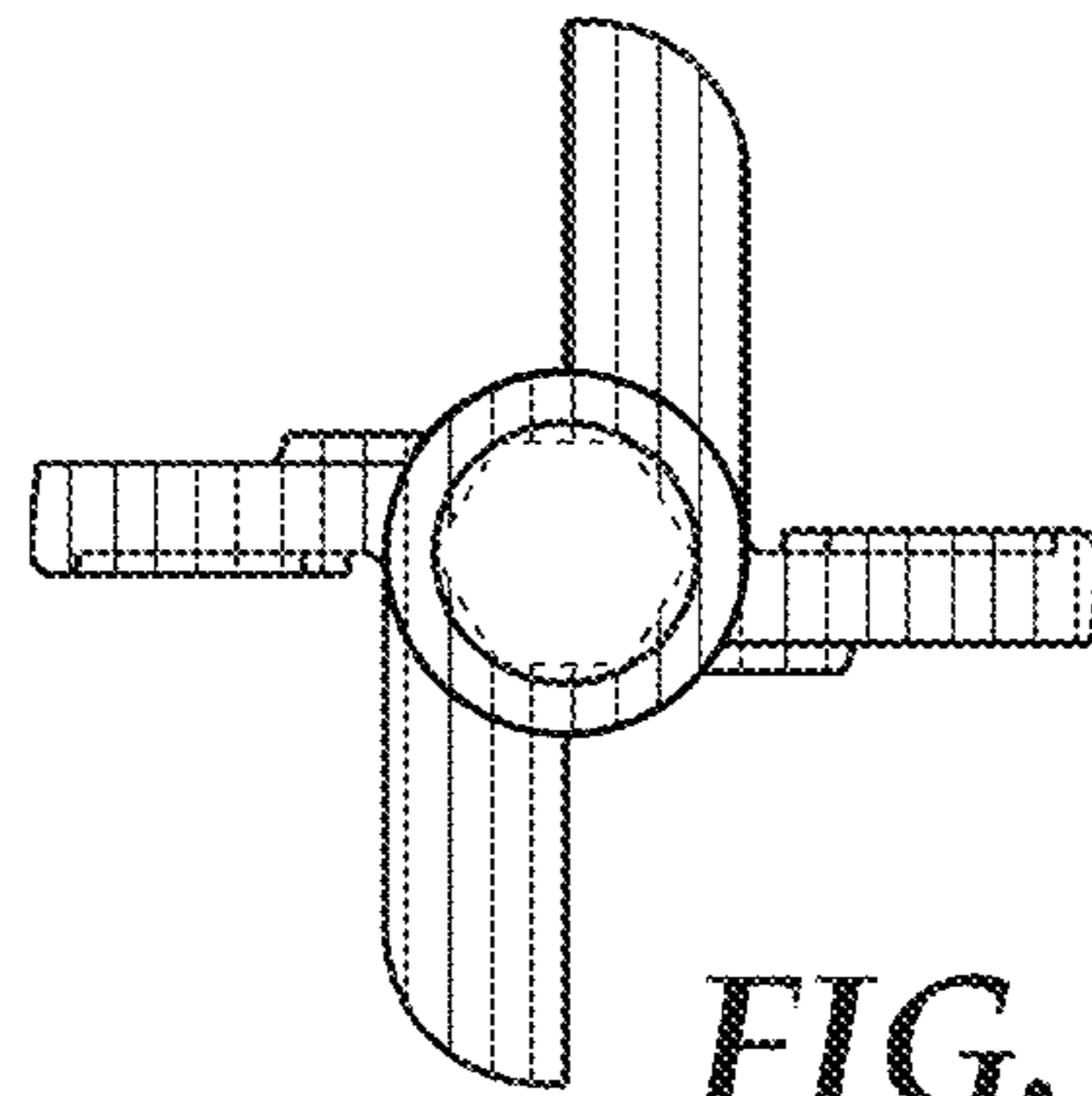


FIG. 2

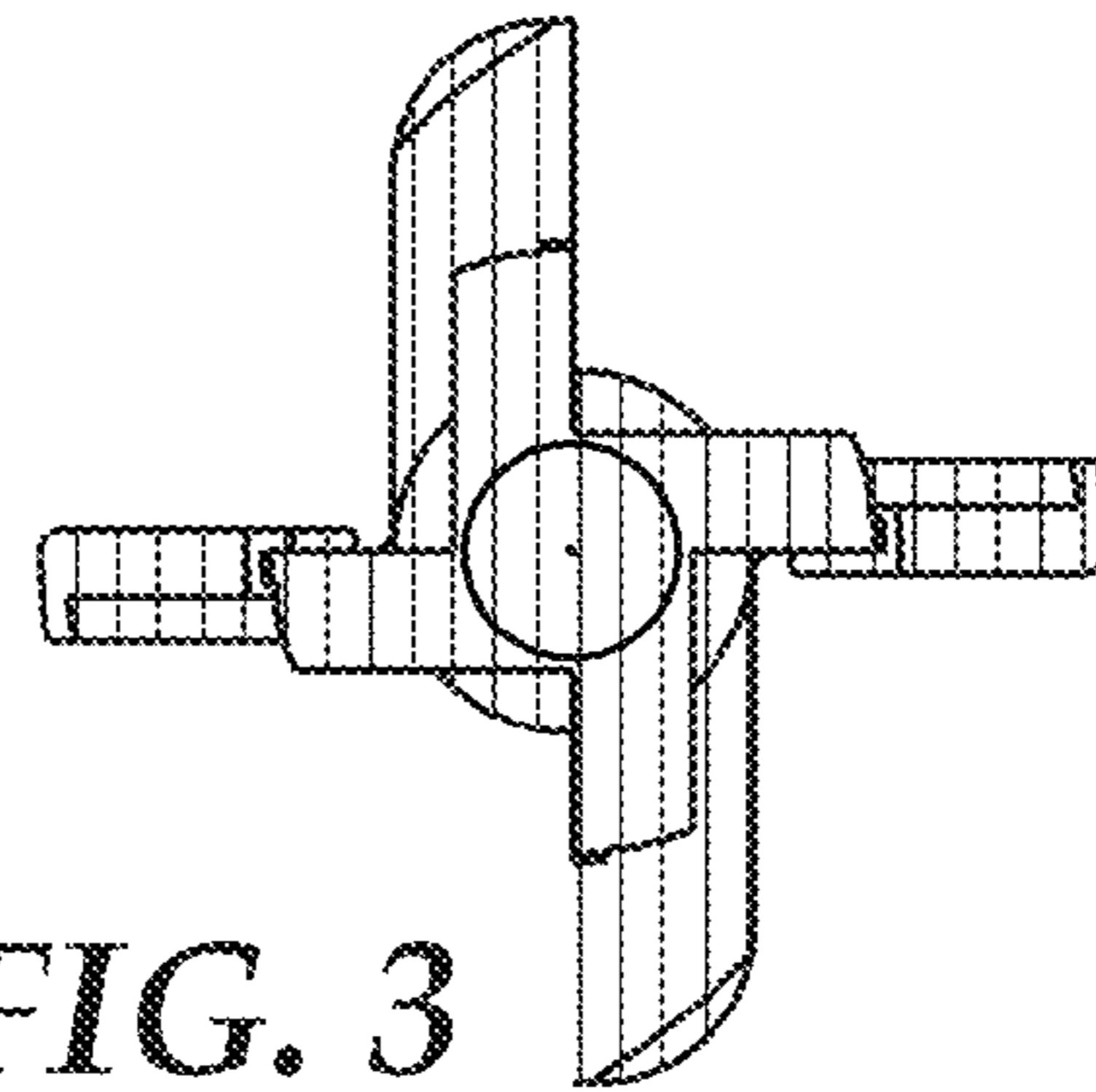


FIG. 3

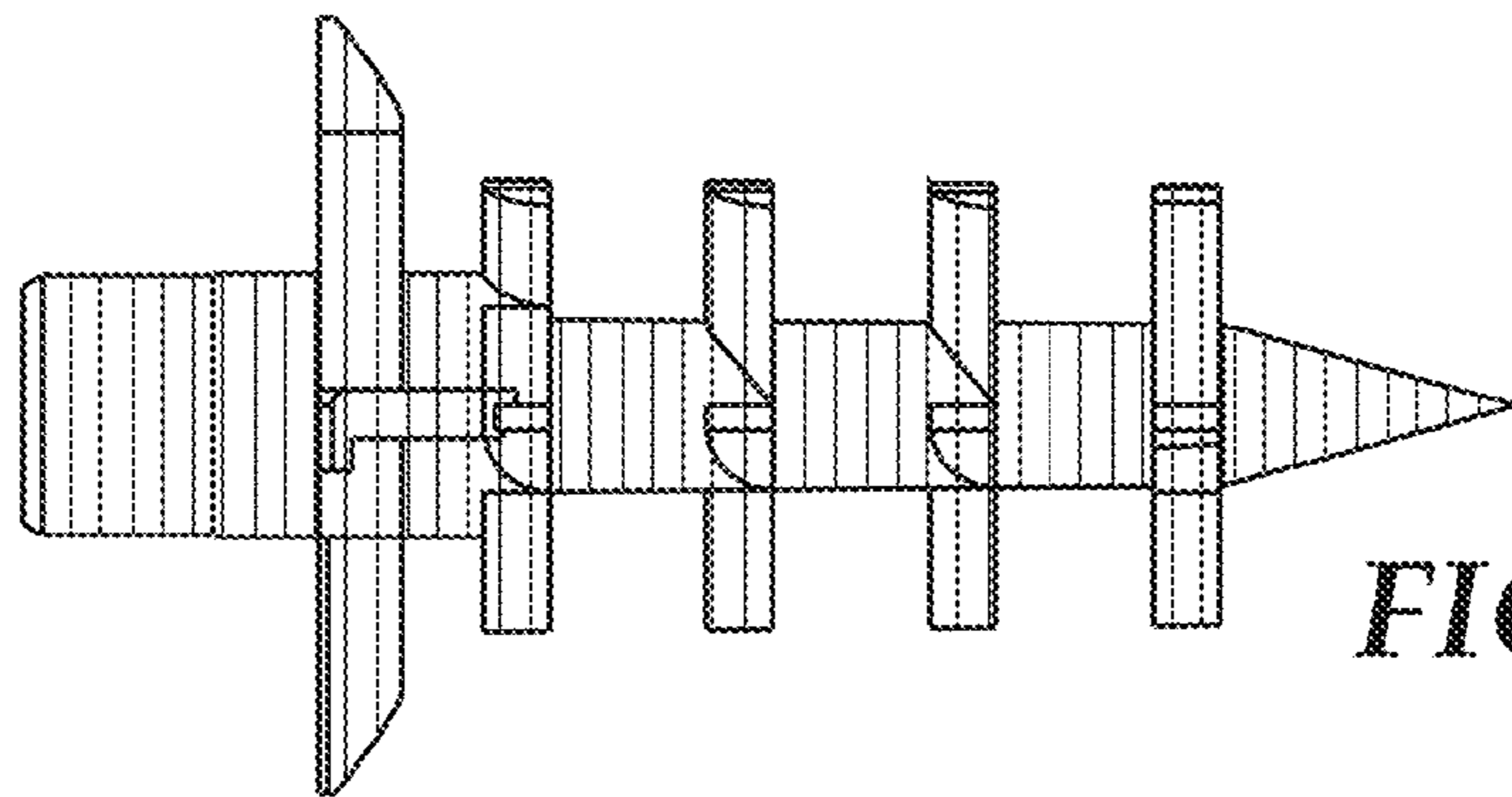


FIG. 4

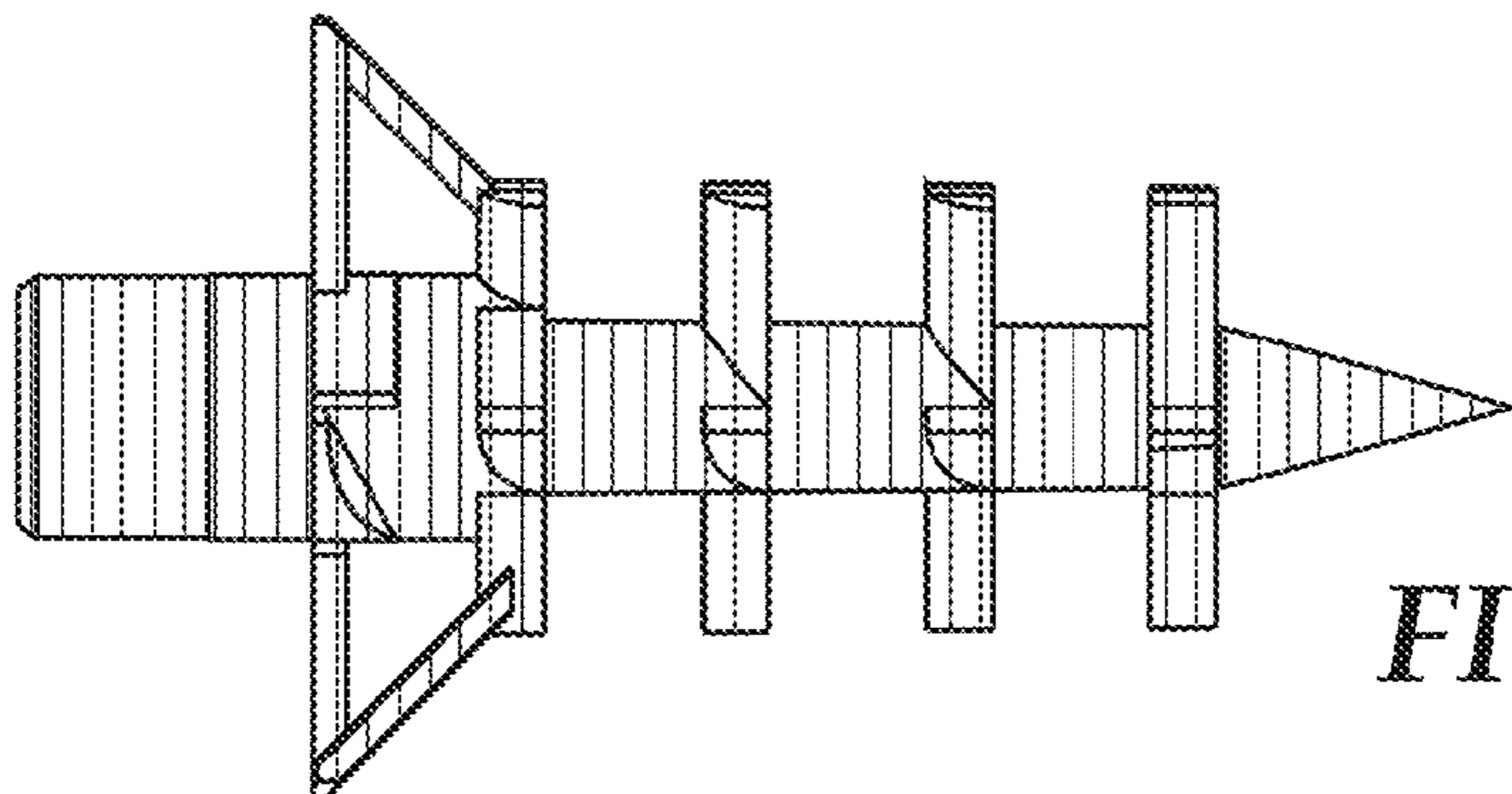


FIG. 5