



US00D696786S

(12) **United States Design Patent**
Bradford

(10) **Patent No.:** **US D696,786 S**

(45) **Date of Patent:** **** Dec. 31, 2013**

(54) **HAND-HELD MASSAGER**

(75) **Inventor:** **Ernesto Juan Bradford**, Ocala, FL (US)

(73) **Assignee:** **The Global DR Group LLC**

(**) **Term:** **14 Years**

(21) **Appl. No.:** **29/428,228**

(22) **Filed:** **Jul. 27, 2012**

(51) **LOC (9) Cl.** **28-03**

(52) **U.S. Cl.**
USPC **D24/215**

(58) **Field of Classification Search**
USPC D24/200, 211, 212, 213, 214, 215;
601/114, 120, 121, 124, 125, 130, 131,
601/134, 135, 136, 137
See application file for complete search history.

(56) **References Cited**

U.S. PATENT DOCUMENTS

D264,754 S *	6/1982	Vitrac	D24/211
D288,847 S *	3/1987	Kaesar	D24/211
6,017,320 A *	1/2000	Bleeker et al.	601/125
D426,641 S *	6/2000	Smith	D24/211
D438,977 S *	3/2001	Khalaj	D24/214
D592,305 S *	5/2009	Cho	D24/133
D627,080 S *	11/2010	Fuster	D24/215
D648,860 S *	11/2011	Donahue et al.	D24/214
D650,086 S *	12/2011	Fuster	D24/215
D650,488 S *	12/2011	Donahue et al.	D24/214

* cited by examiner

Primary Examiner — Sandra Snapp

(74) *Attorney, Agent, or Firm* — Robert M. Schwartz

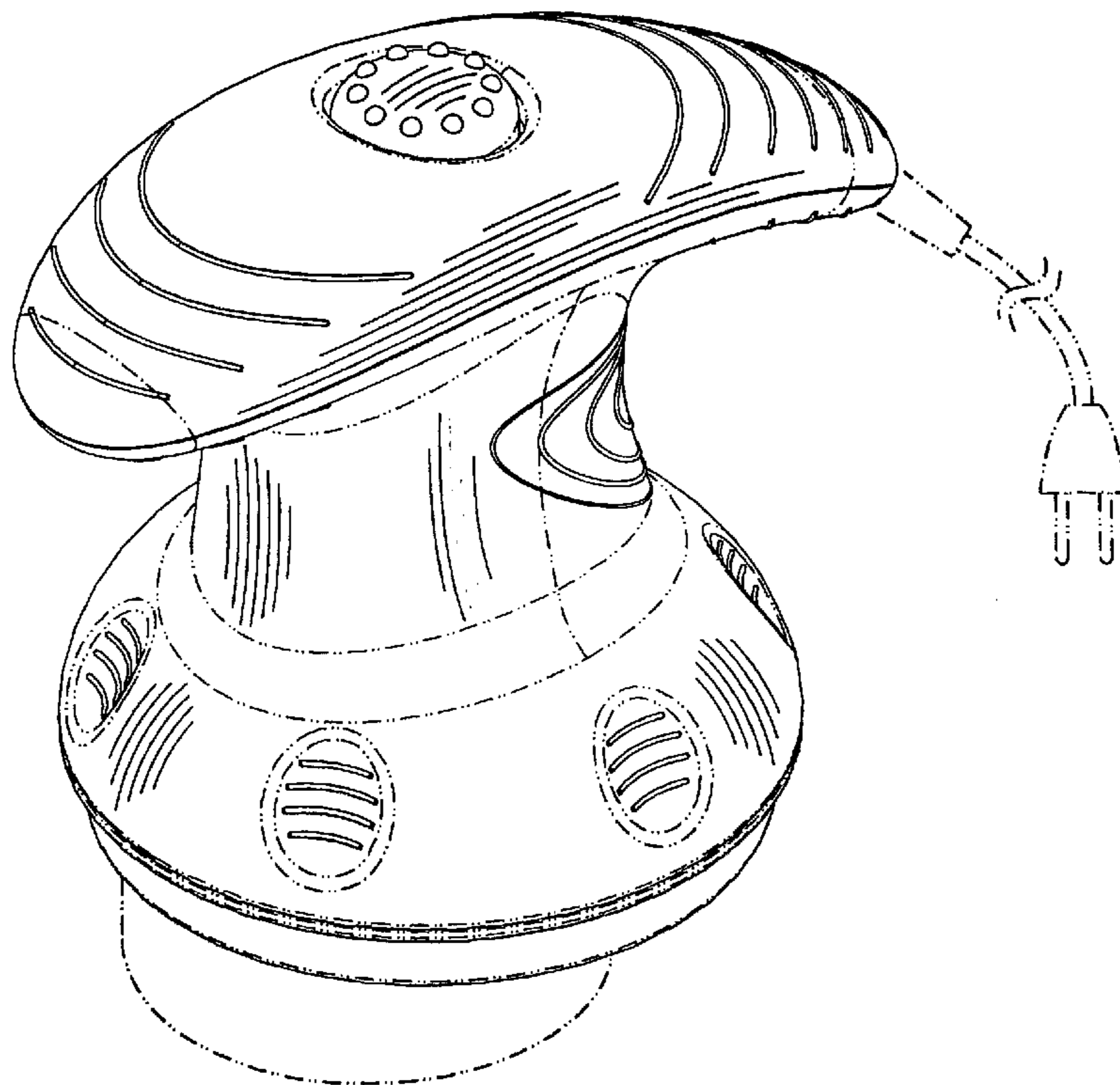
(57) **CLAIM**

The ornamental design for a hand-held massager, as shown and described.

DESCRIPTION

FIG. 1 is a side view of the hand-held massager.
 FIG. 2 is a front view of the hand-held massager.
 FIG. 3 is a rear view of the hand-held massager.
 FIG. 4 is a top view of the hand-held massager.
 FIG. 5 is a bottom view of the hand-held massager.
 FIG. 6 is a perspective view of the hand-held massager.
 FIG. 7 is a side view of an alternative embodiment of the hand-held massager.
 FIG. 8 is a front view of the alternative embodiment of the hand-held massager.
 FIG. 9 is a rear view of the alternative embodiment of the hand-held massager.
 FIG. 10 is a top view of the alternative embodiment of the hand-held massager.
 FIG. 11 is a bottom view of the alternative embodiment of the hand-held massager; and,
 FIG. 12 is a perspective view of the alternative embodiment of the hand-held massager.
 The broken lines shown in the figures on the hand-held massager are for the purpose of illustrating environmental structure and form no part of the claimed design.

1 Claim, 12 Drawing Sheets



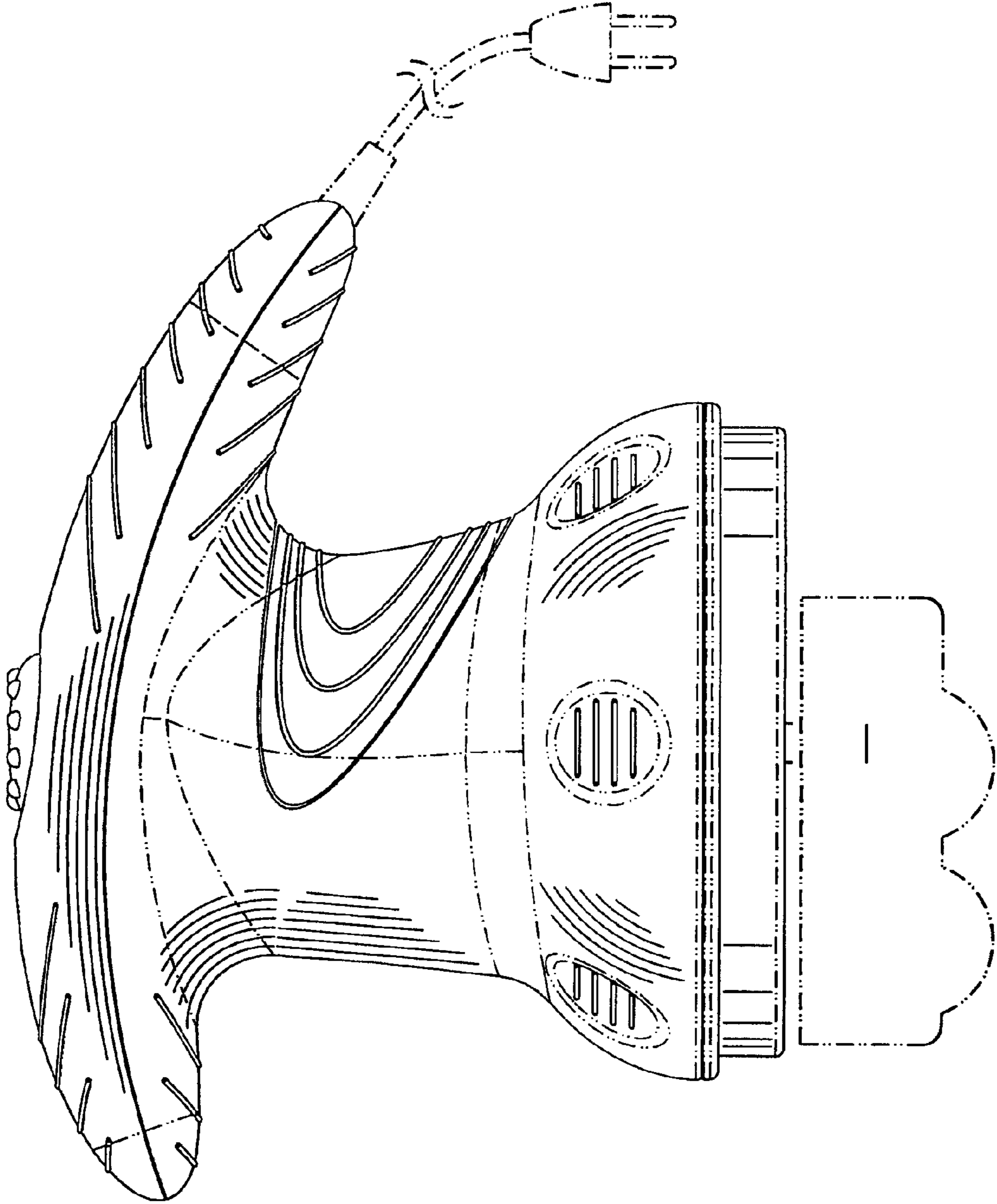


FIG. 1

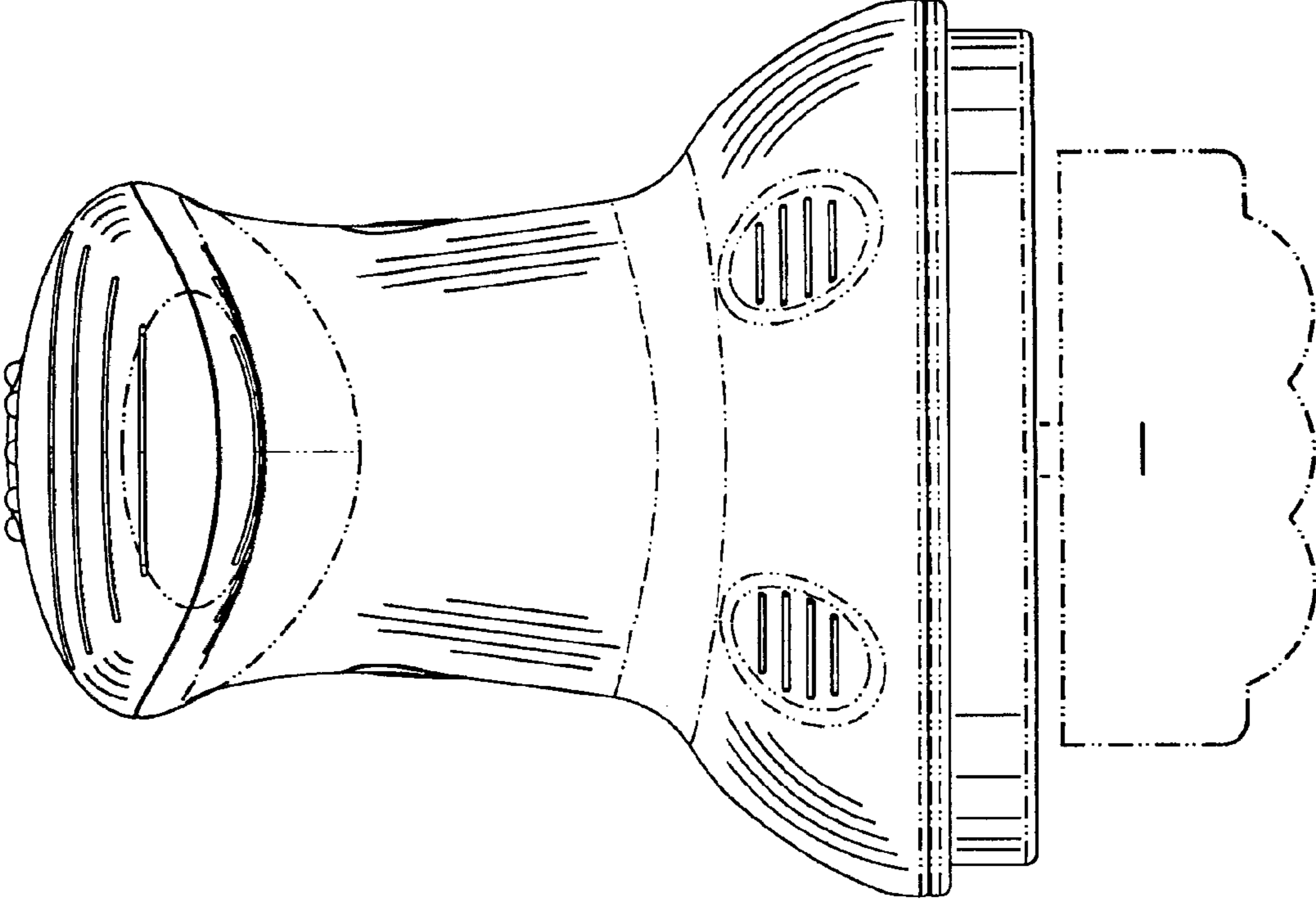


FIG. 2

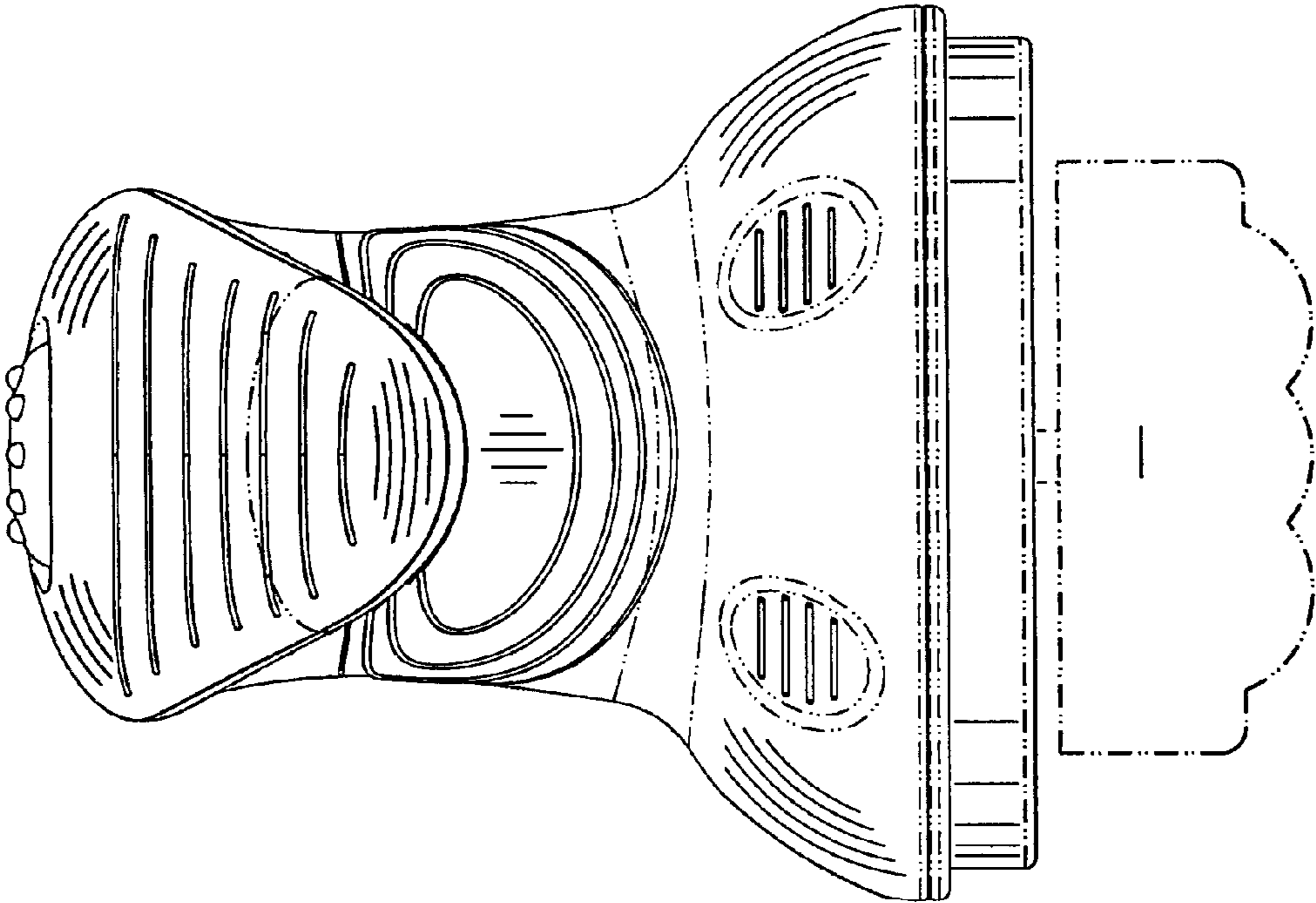


FIG. 3

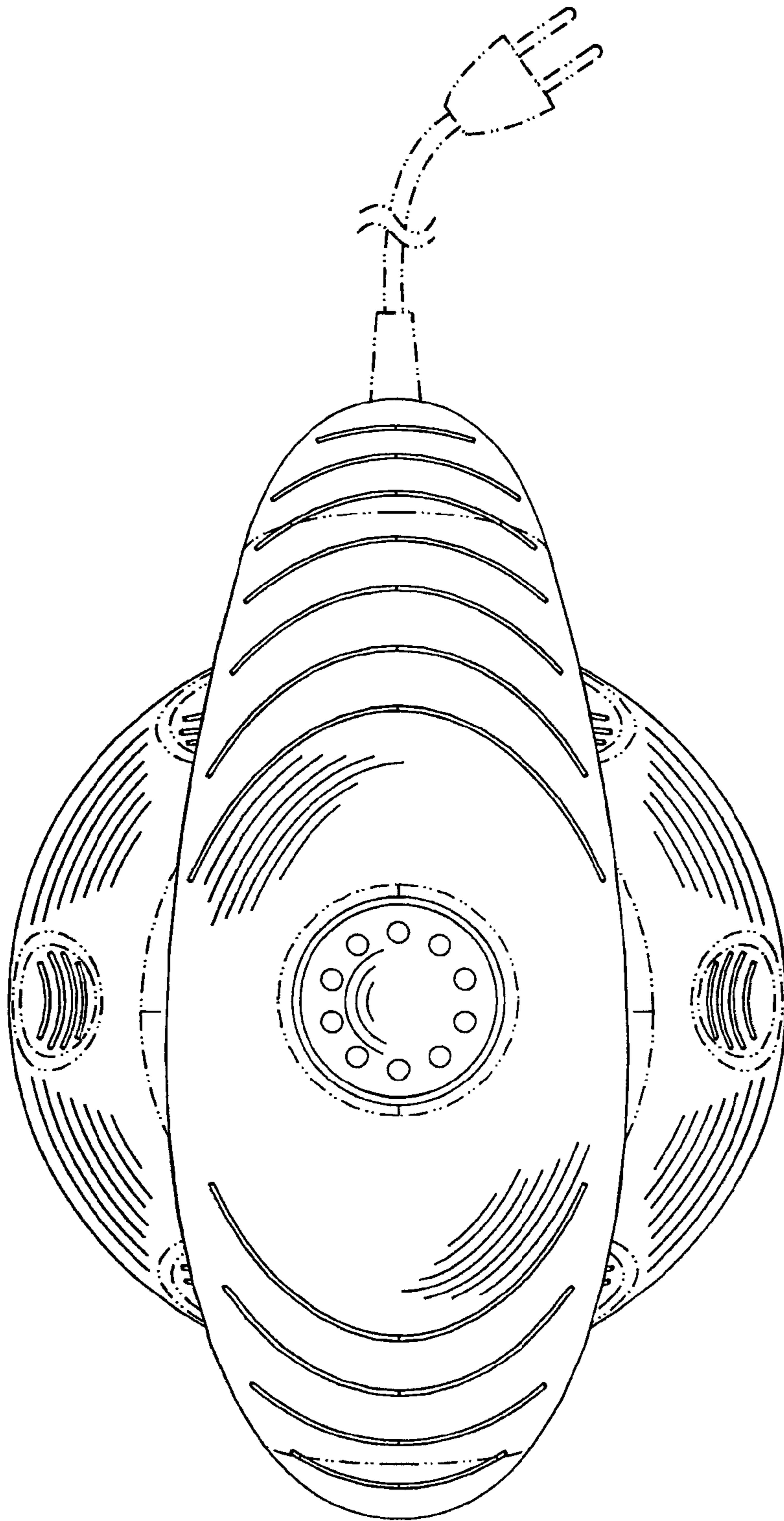


FIG. 4

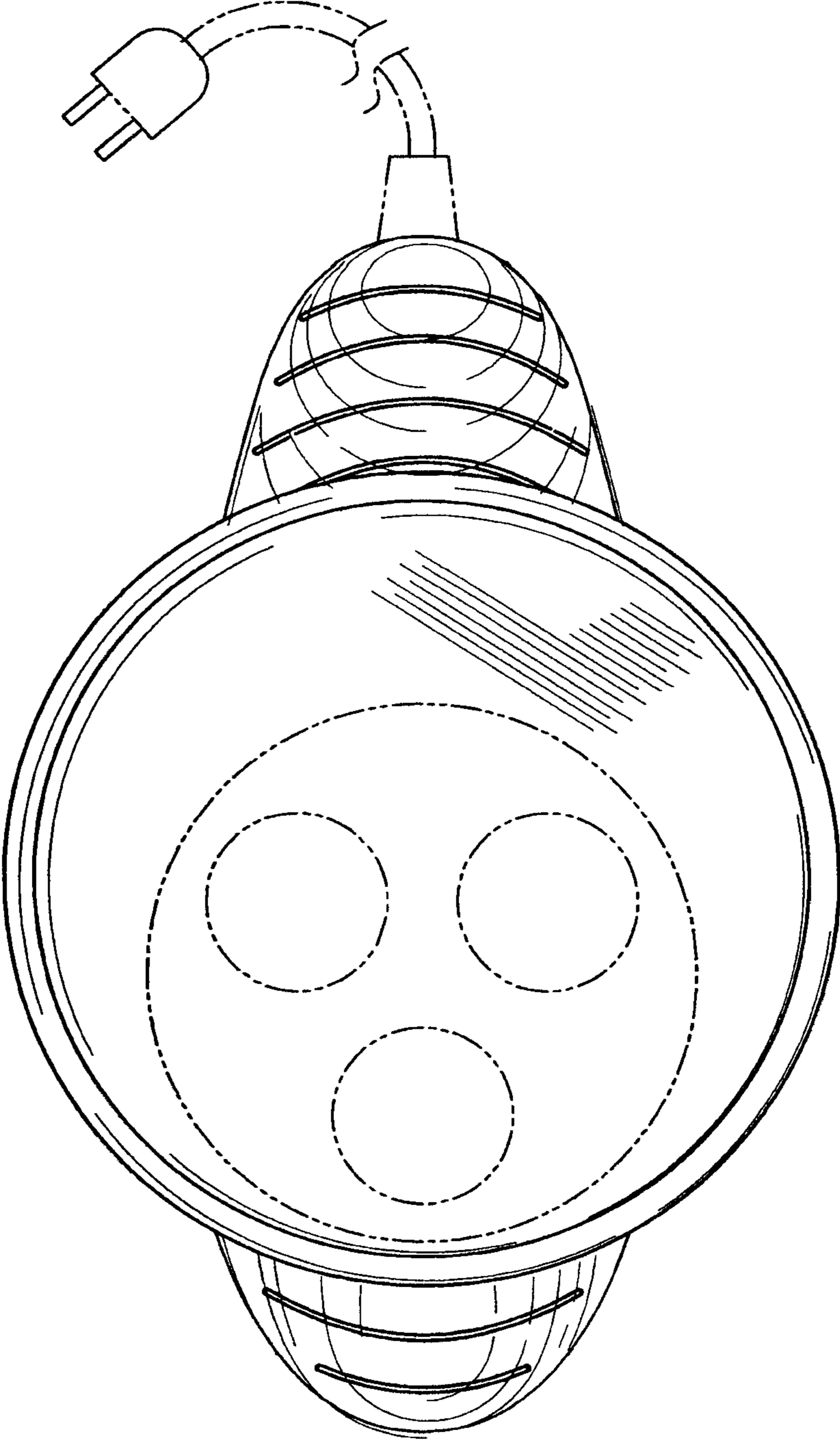


FIG.5

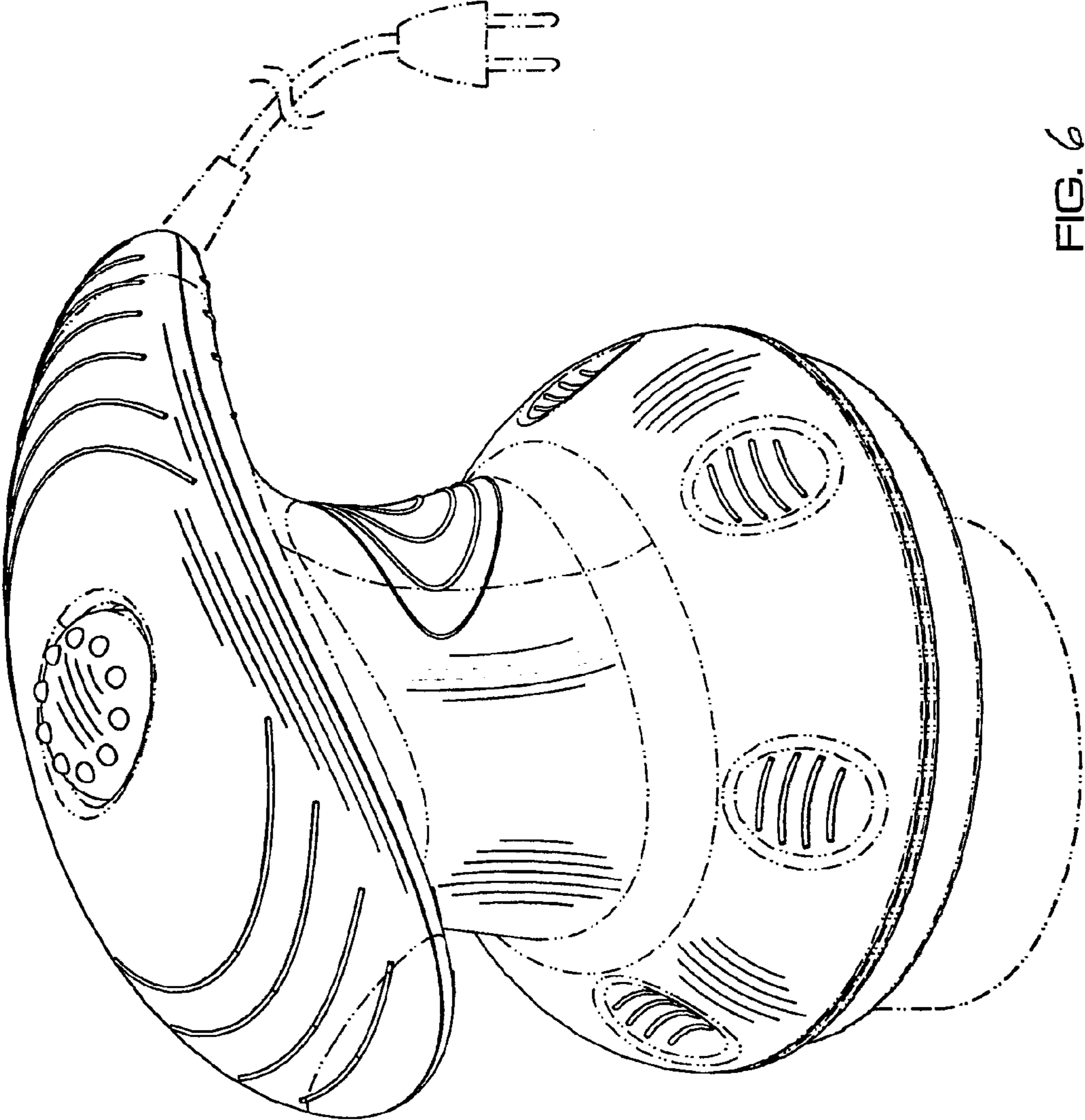


FIG. 6

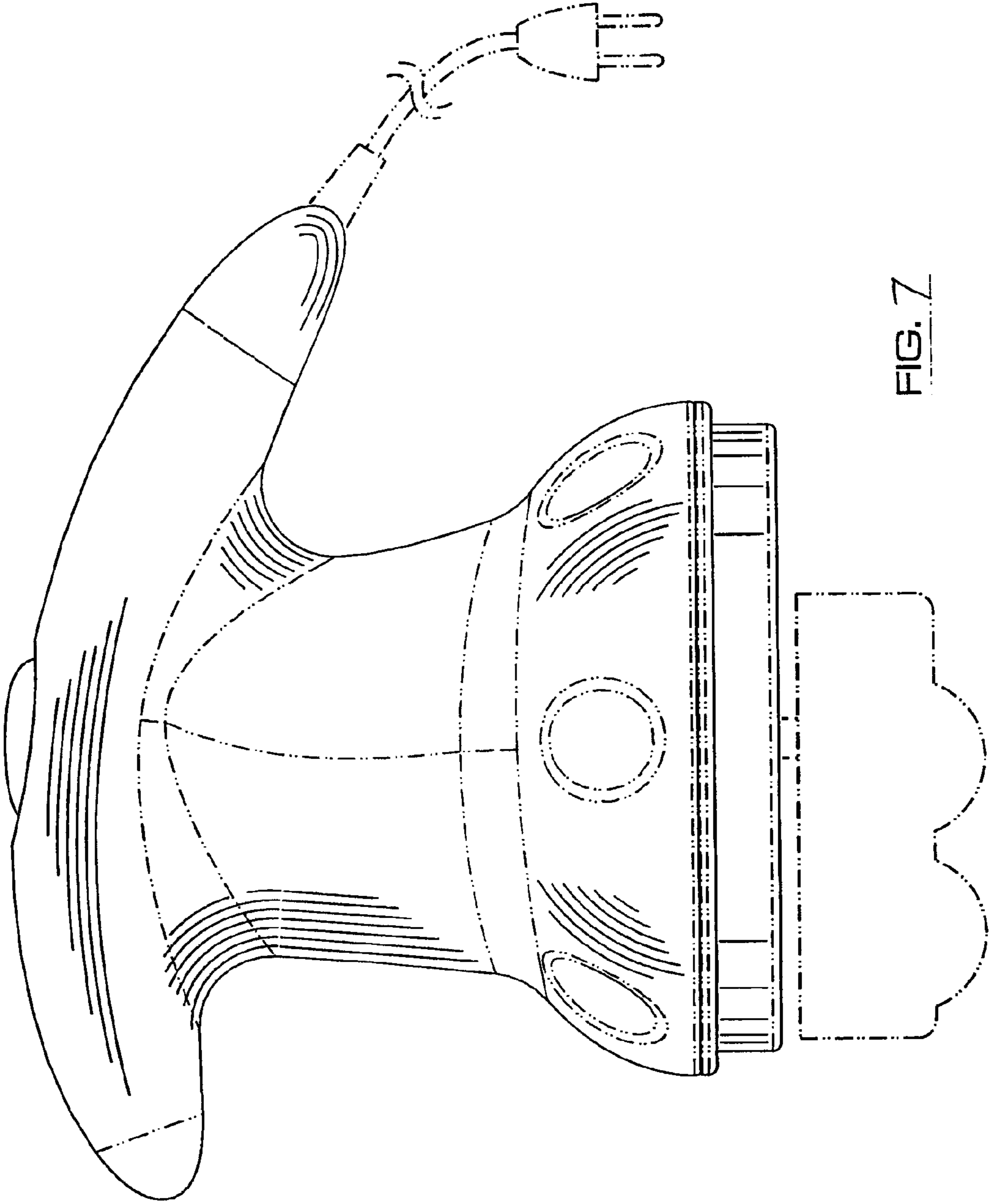


FIG. 7

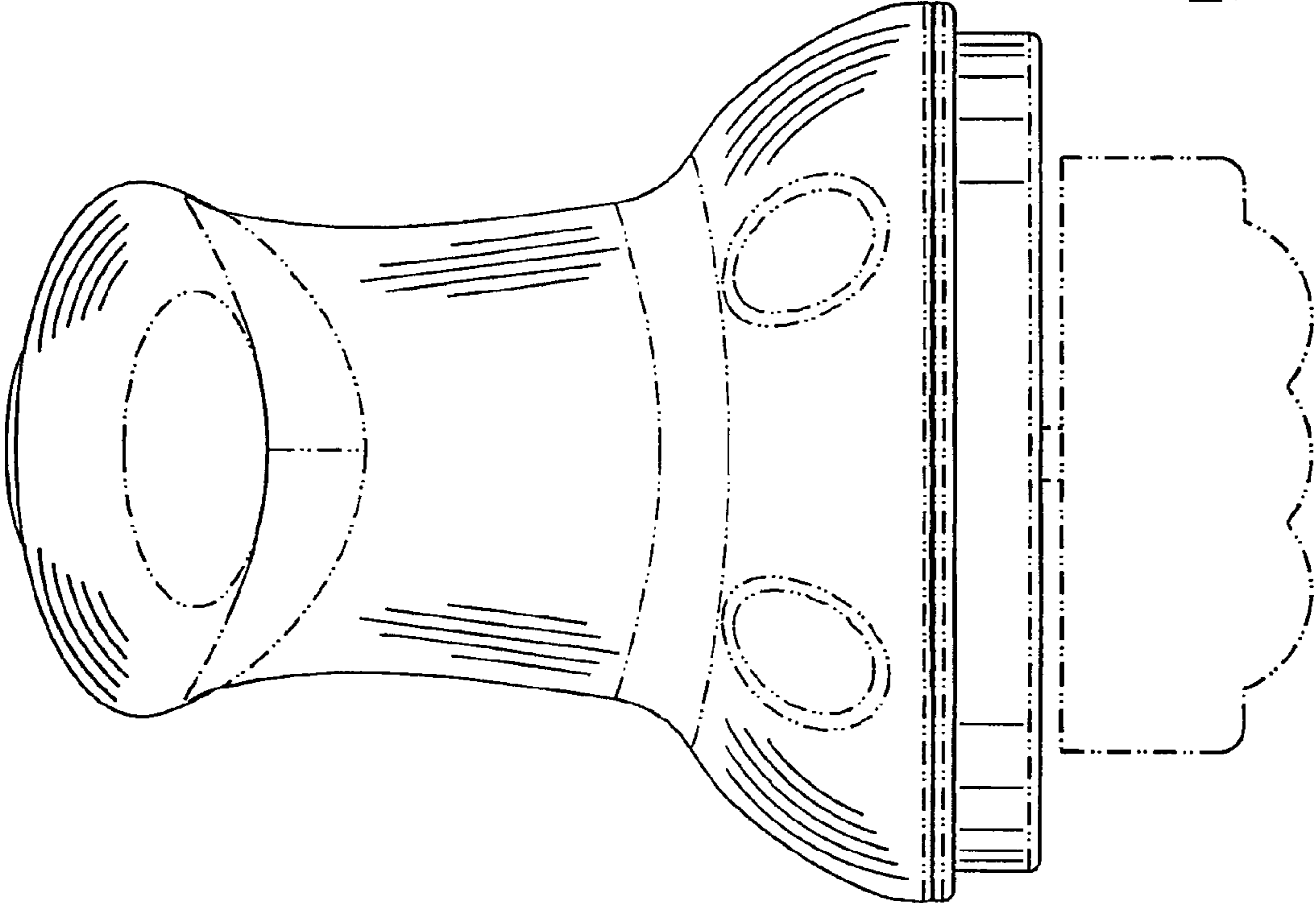


FIG. 8

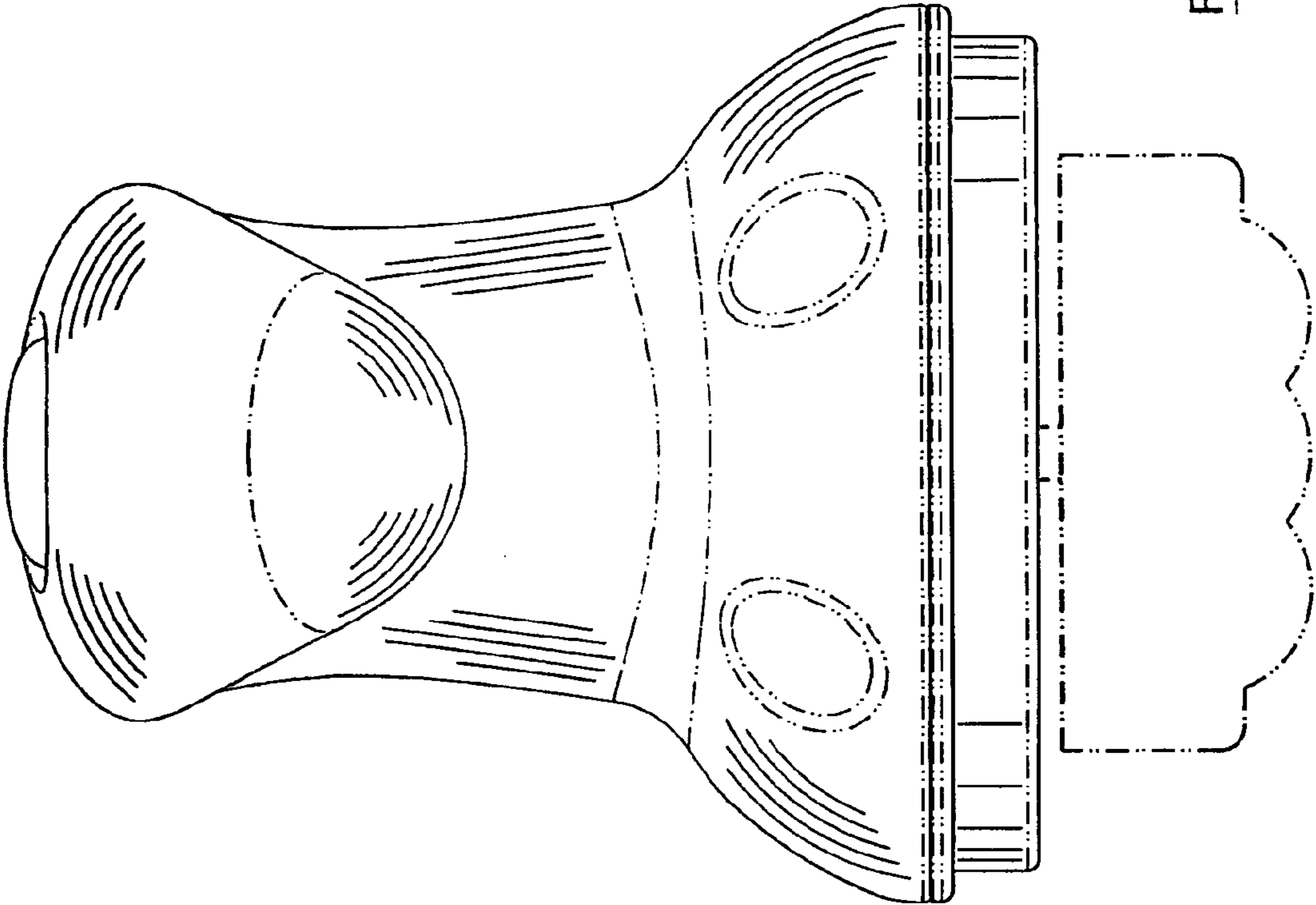


FIG. 9

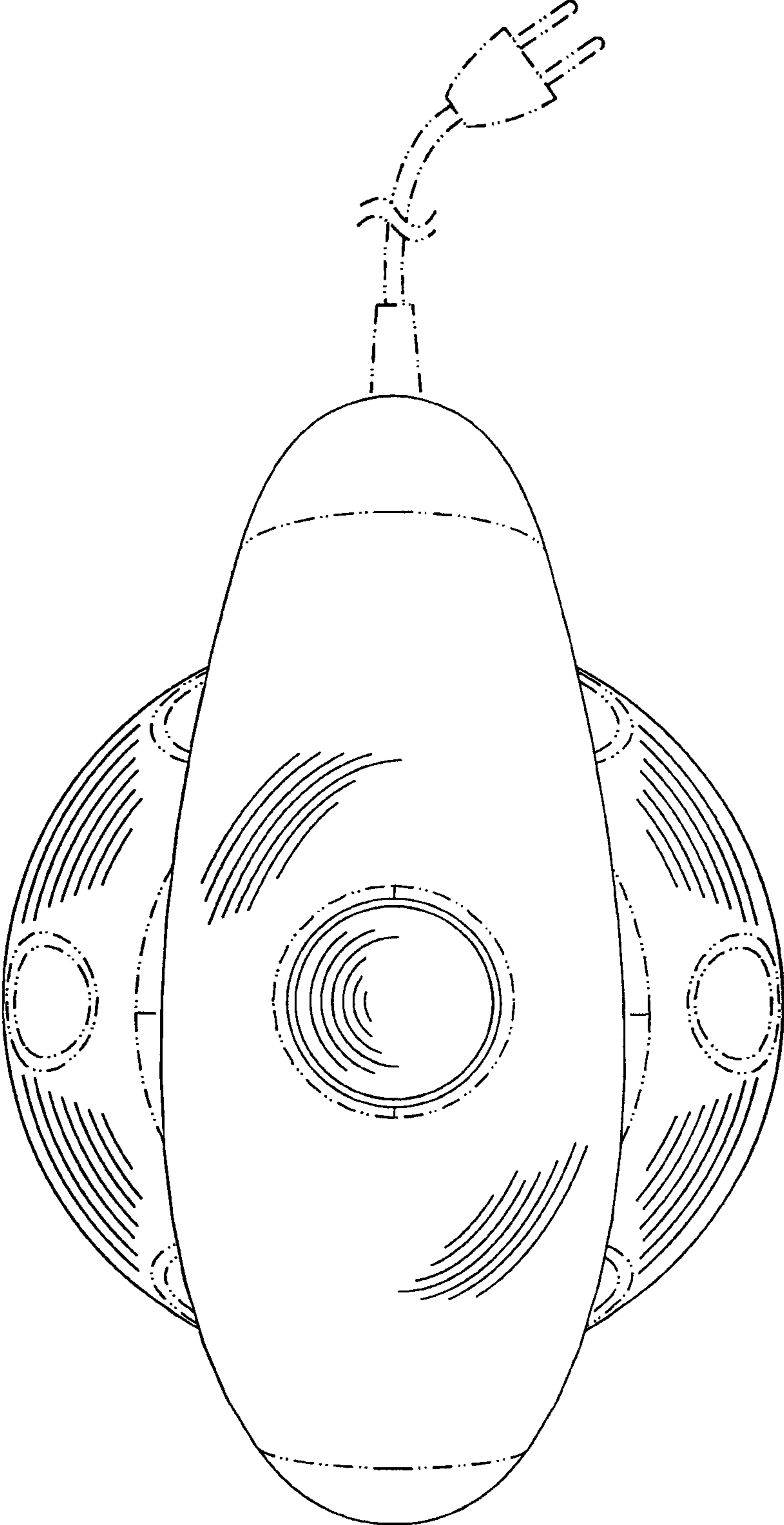


FIG. 10

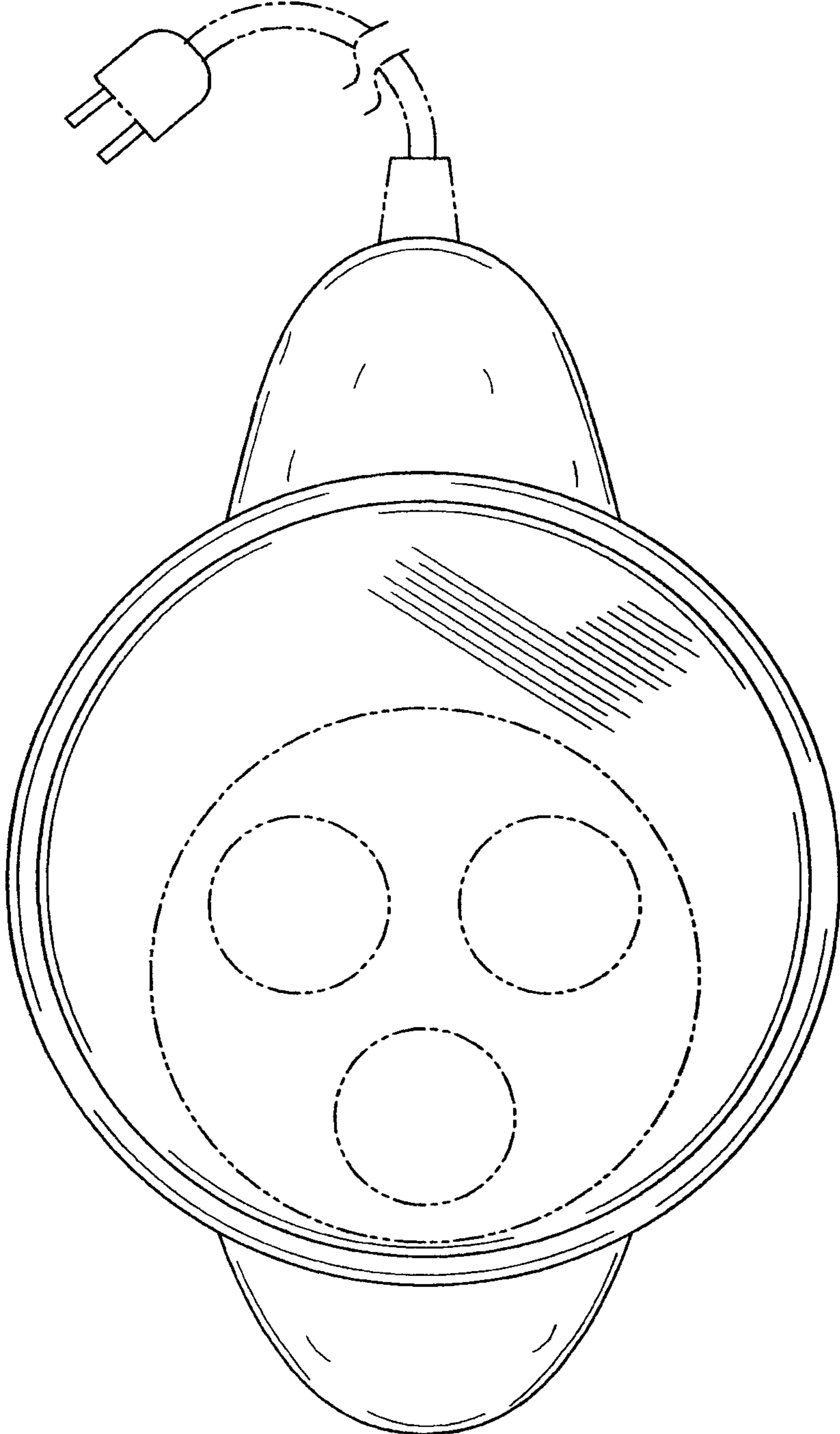


FIG.11

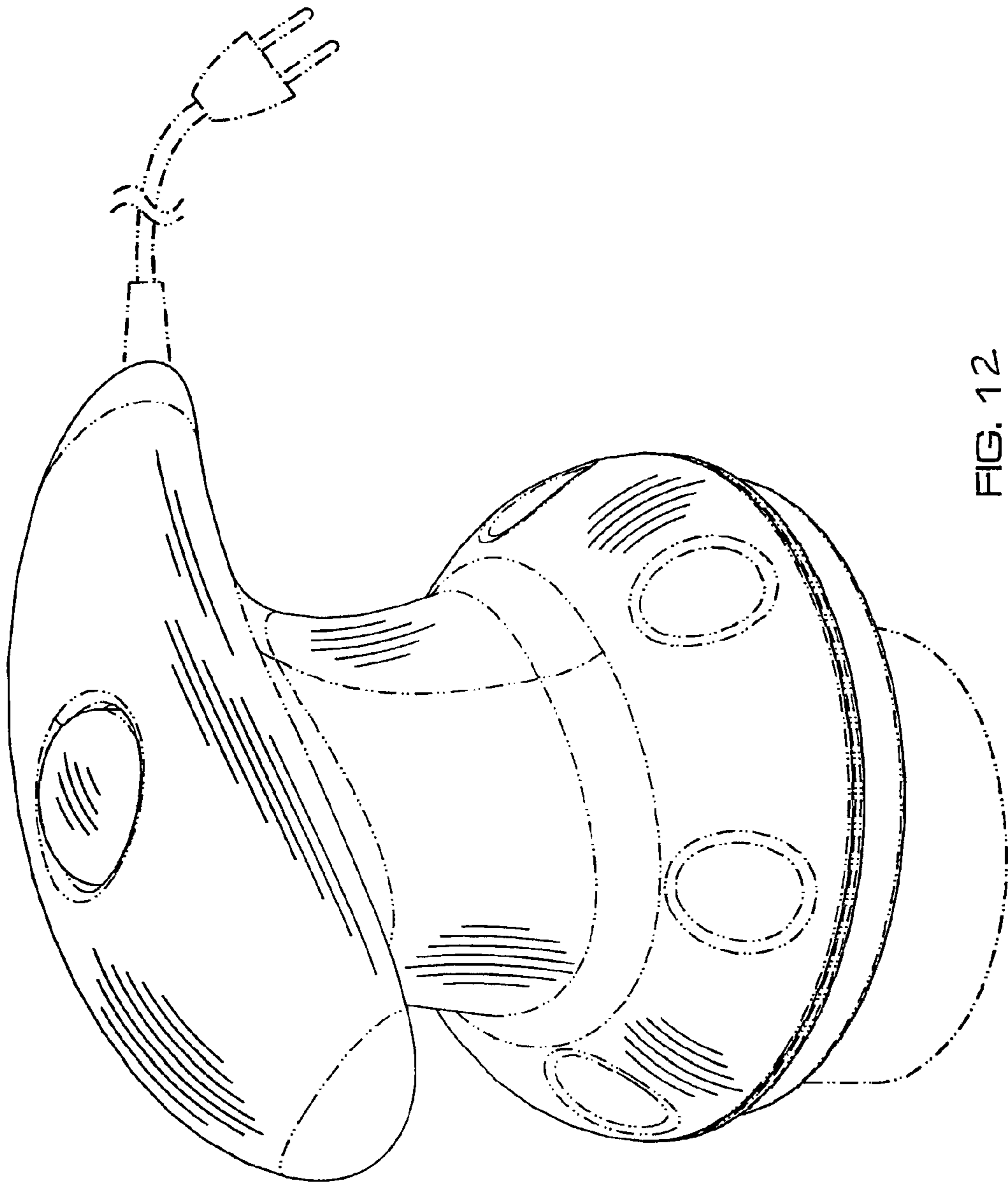


FIG. 12