



US00D696783S

(12) **United States Design Patent**  
**Chung et al.**

(10) **Patent No.:** **US D696,783 S**

(45) **Date of Patent:** **\*\* Dec. 31, 2013**

(54) **CART FOR ULTRASONIC DIAGNOSTIC EQUIPMENT**

(75) Inventors: **Yeon-Moo Chung**, Seoul (KR);  
**Ho-Young Park**, Yangju-si (KR);  
**Jae-Yoon Lee**, Seoul (KR); **Jung-Hoon Kim**, Seoul (KR)

(73) Assignee: **Samsung Electronics Co., Ltd.**,  
Suwon-si (KR)

(\*\*) Term: **14 Years**

(21) Appl. No.: **29/431,389**

(22) Filed: **Sep. 6, 2012**

(30) **Foreign Application Priority Data**

Jul. 10, 2012 (KR) ..... 30-2012-0033451

(51) **LOC (9) Cl.** ..... **24-01**

(52) **U.S. Cl.**  
USPC ..... **D24/185**

(58) **Field of Classification Search**

USPC ..... D24/144, 160, 167-169, 172, 185-186,  
D24/200, 158, 164; D34/12, 14; 248/47.34,  
248/282.1; 606/32-34; 312/209,  
312/223.1-223.2, 249.12; 600/1-3, 104,  
600/437, 443, 459

See application file for complete search history.

(56) **References Cited**

**U.S. PATENT DOCUMENTS**

D368,521 S \* 4/1996 Asai et al. .... D24/160  
D459,477 S \* 6/2002 Stocks et al. .... D24/186  
D480,810 S \* 10/2003 Gumisawa ..... D24/158  
6,648,825 B1 \* 11/2003 Mesaros et al. .... 600/437  
6,669,639 B1 \* 12/2003 Miller et al. .... 600/443  
D512,508 S \* 12/2005 Mesaros ..... D24/185  
D517,768 S \* 3/2006 Arceta ..... D34/14

D518,267 S \* 3/2006 Arceta ..... D34/12  
D550,362 S \* 9/2007 Olivera et al. .... D24/185  
D560,807 S \* 1/2008 Kitayama et al. .... D24/158  
D561,342 S \* 2/2008 Zimmer ..... D24/185  
D571,011 S \* 6/2008 Otoha et al. .... D24/158  
D606,202 S \* 12/2009 Banryu ..... D24/185  
D609,349 S \* 2/2010 Pelissier et al. .... D24/186  
D613,866 S \* 4/2010 Tanaka et al. .... D24/185  
D626,236 S \* 10/2010 Ninomiya et al. .... D24/185  
D630,752 S \* 1/2011 Suzuki ..... D24/158  
D650,482 S \* 12/2011 Kim et al. .... D24/158  
D657,469 S \* 4/2012 Vilas ..... D24/185  
D657,470 S \* 4/2012 Schon et al. .... D24/186  
D662,208 S \* 6/2012 Otoha et al. .... D24/185

\* cited by examiner

*Primary Examiner* — T. Chase Nelson

*Assistant Examiner* — Mark Cavanna

(74) *Attorney, Agent, or Firm* — Jefferson IP Law, LLP

(57) **CLAIM**

The ornamental design for cart for ultrasonic diagnostic equipment, as shown and described.

**DESCRIPTION**

FIG. 1 is a perspective view of cart for ultrasonic diagnostic equipment, showing a new design;  
FIG. 2 is a front elevational view thereof;  
FIG. 3 is a rear elevational view thereof;  
FIG. 4 is a left side elevational view thereof;  
FIG. 5 is a right side elevational view thereof;  
FIG. 6 is a top plan view thereof;  
FIG. 7 is a bottom plan view thereof; and,  
FIG. 8 is a perspective view thereof showing the cart for ultrasonic diagnostic equipment in an environment in which it may be used.

The broken lines are included for the purpose of illustrating portions of the cart for ultrasonic diagnostic equipment that form no part of the claimed design.

**1 Claim, 8 Drawing Sheets**

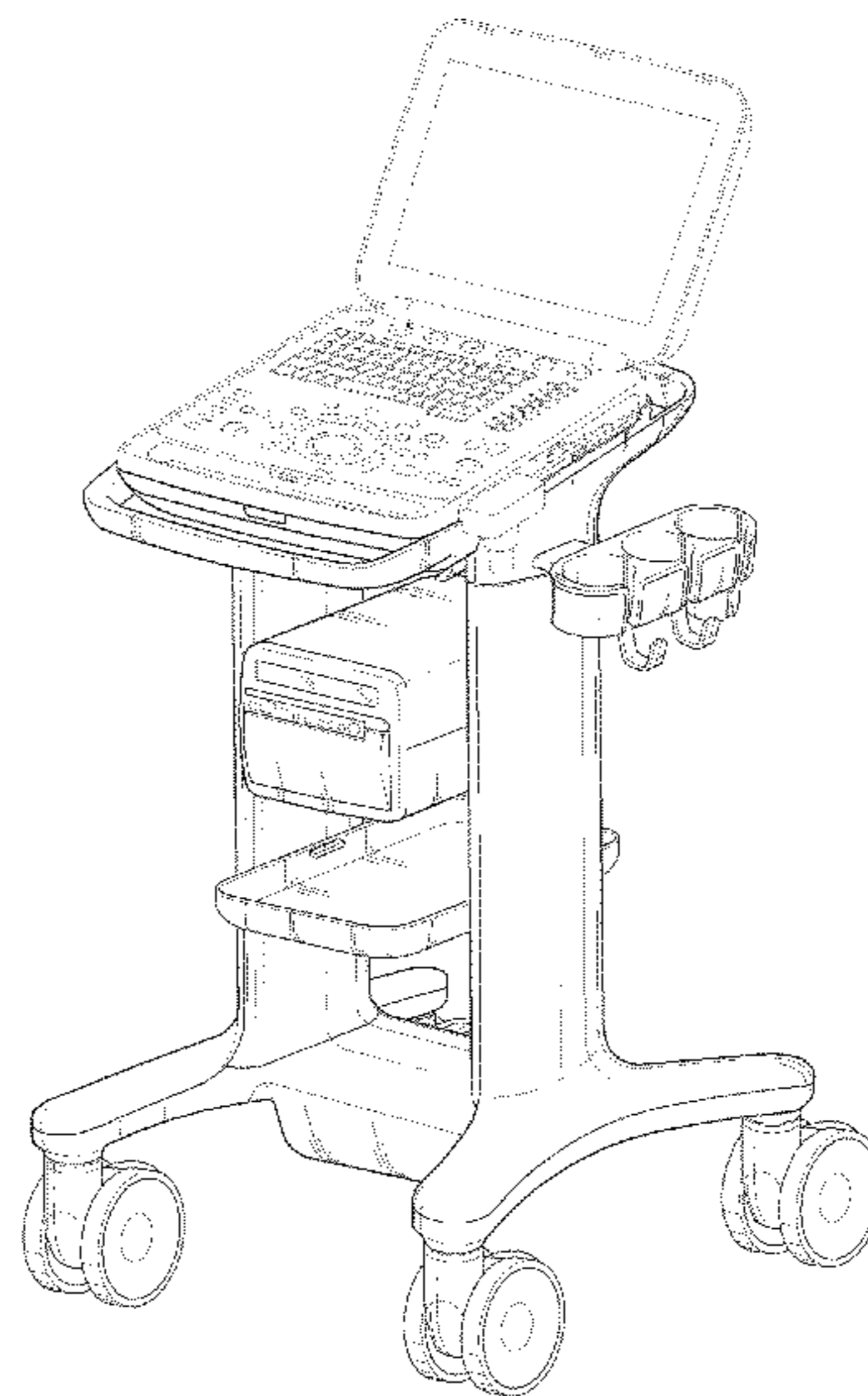
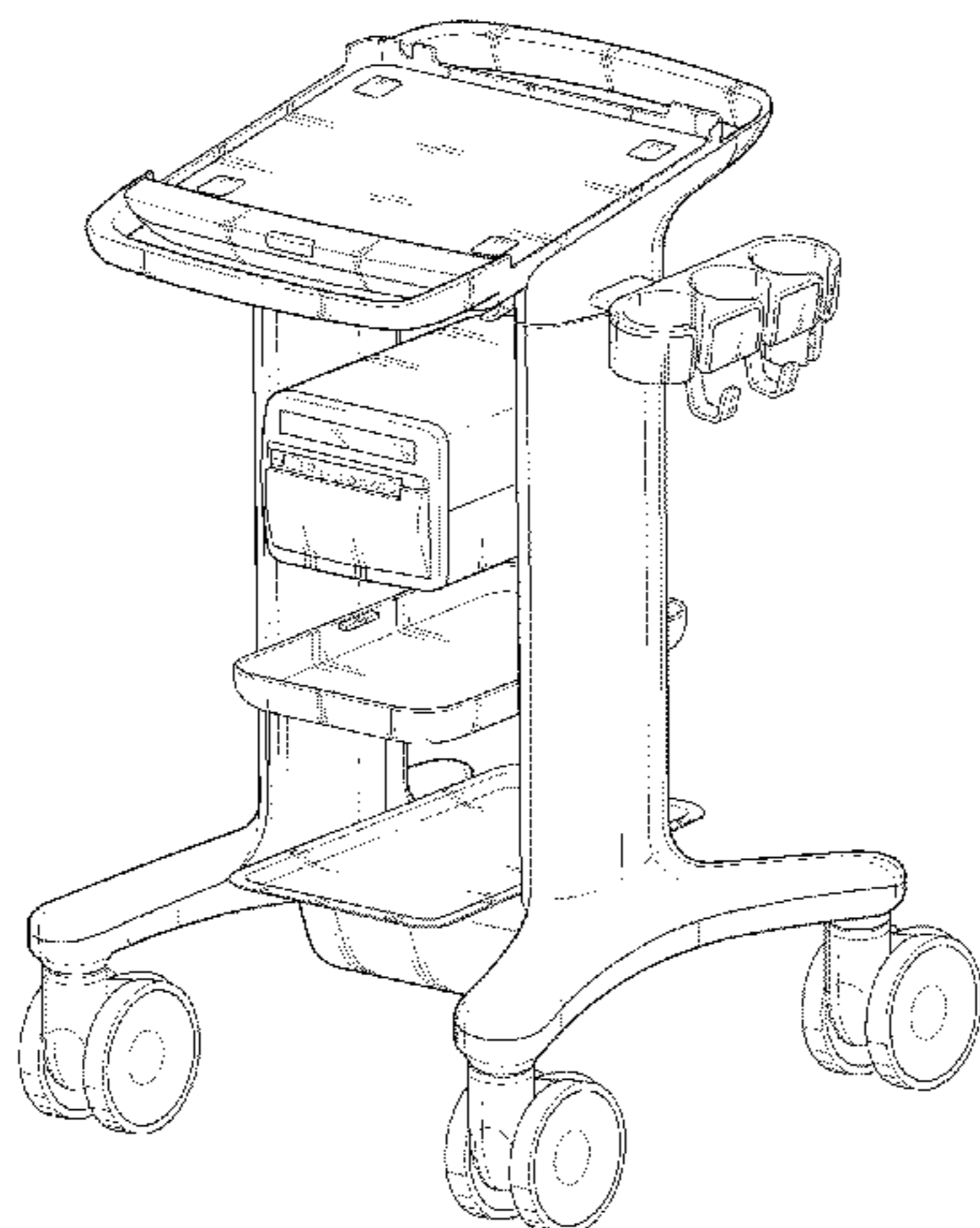


FIG. 1

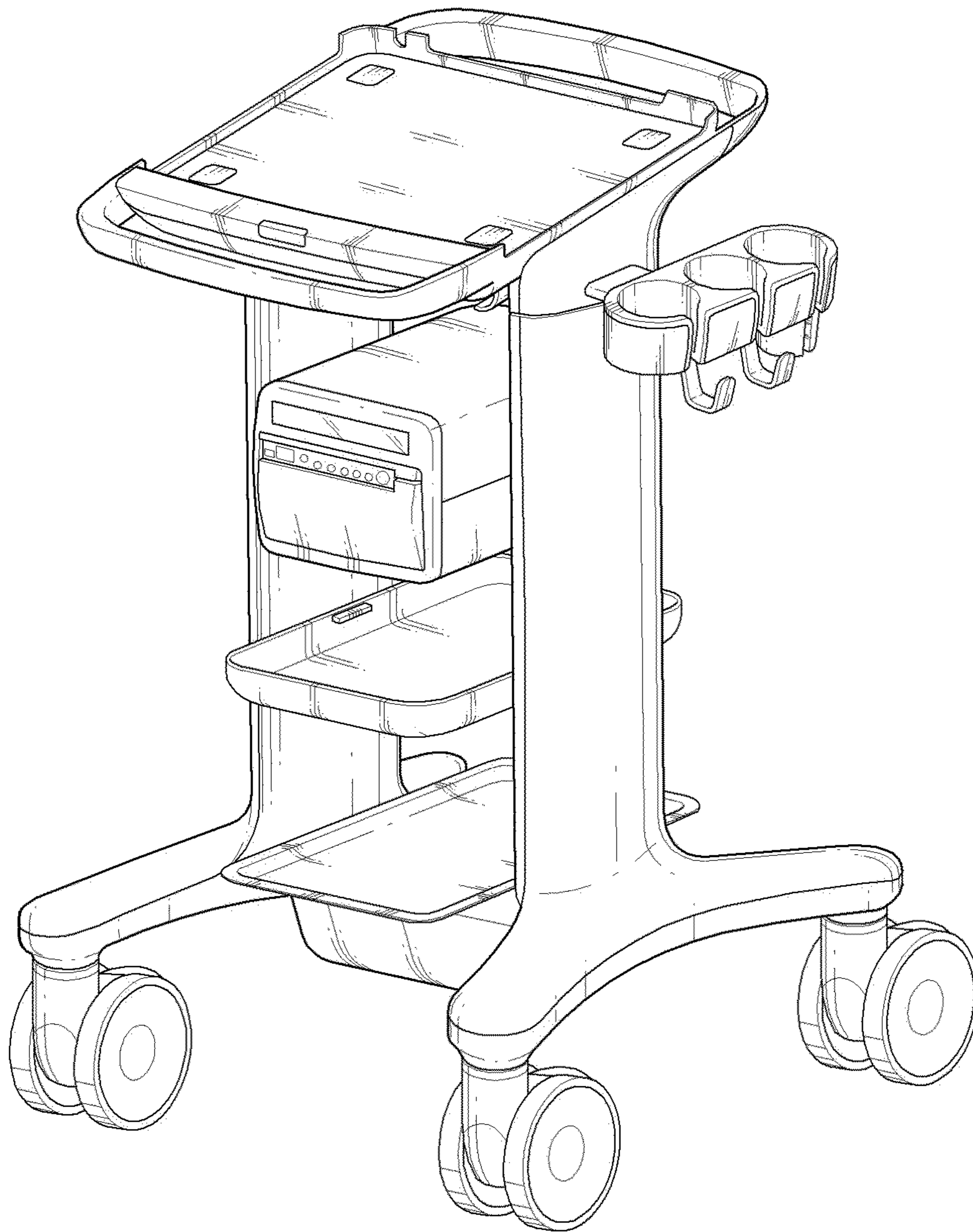


FIG. 2

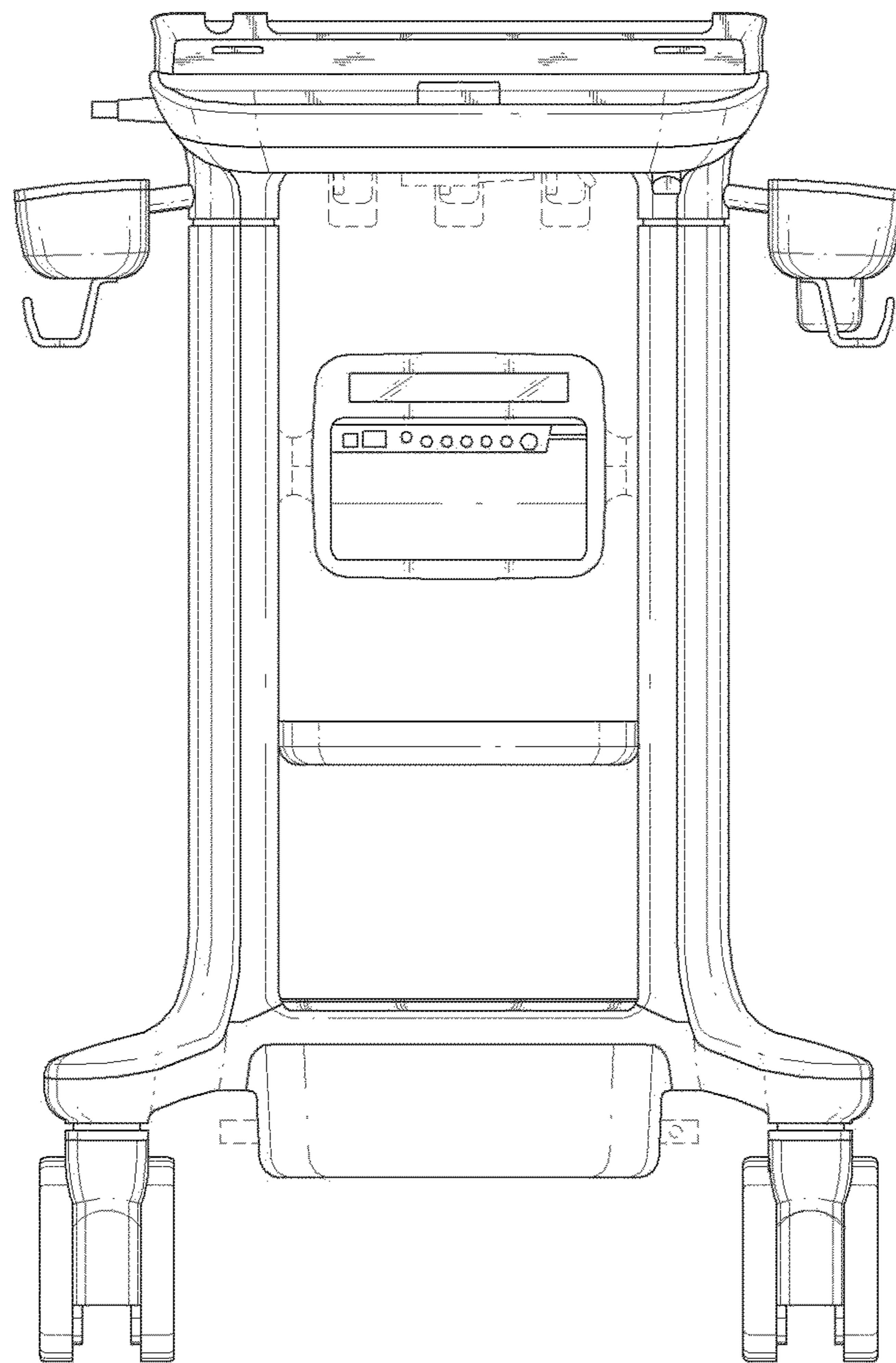


FIG. 3

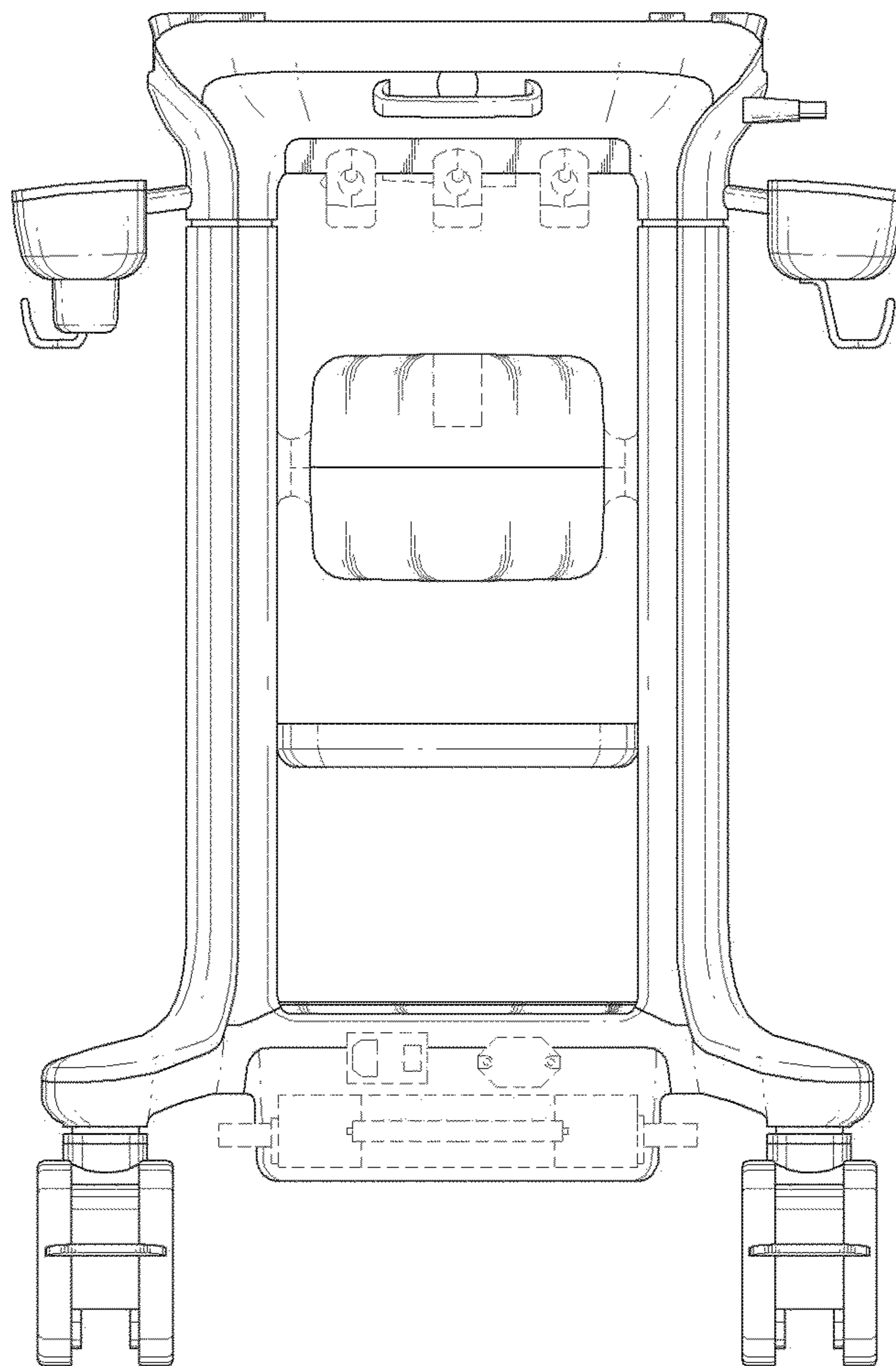


FIG. 4

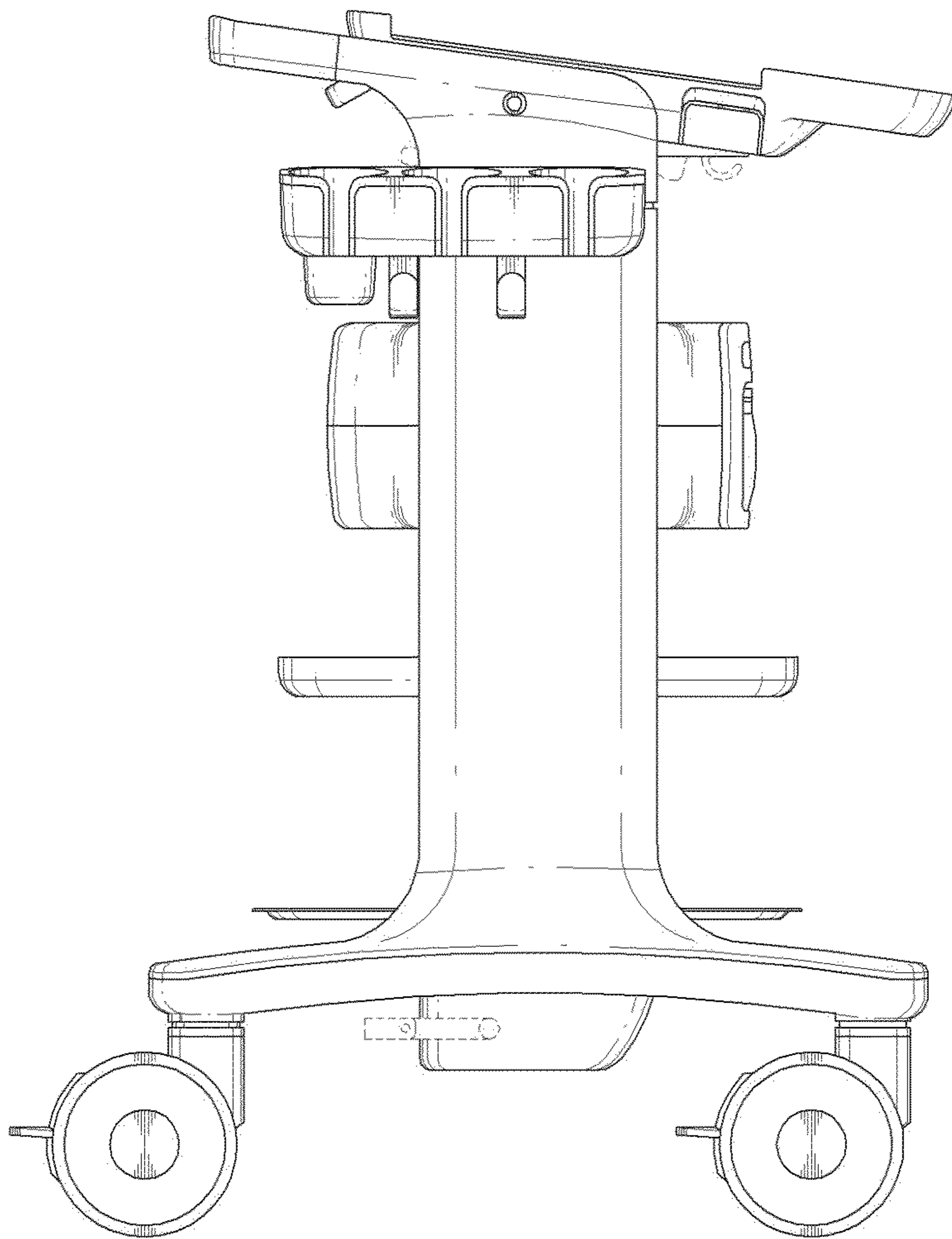


FIG. 5

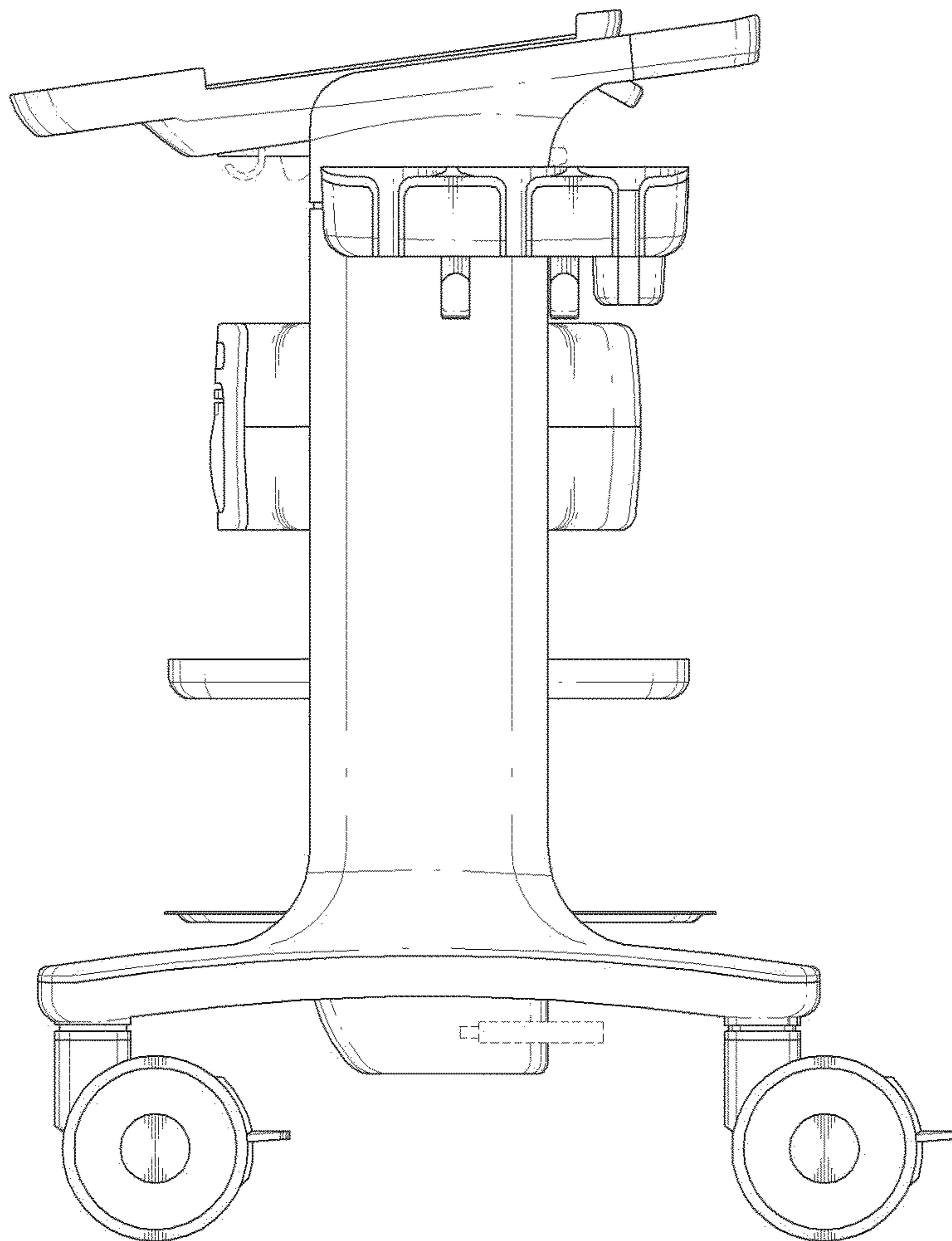


FIG. 6

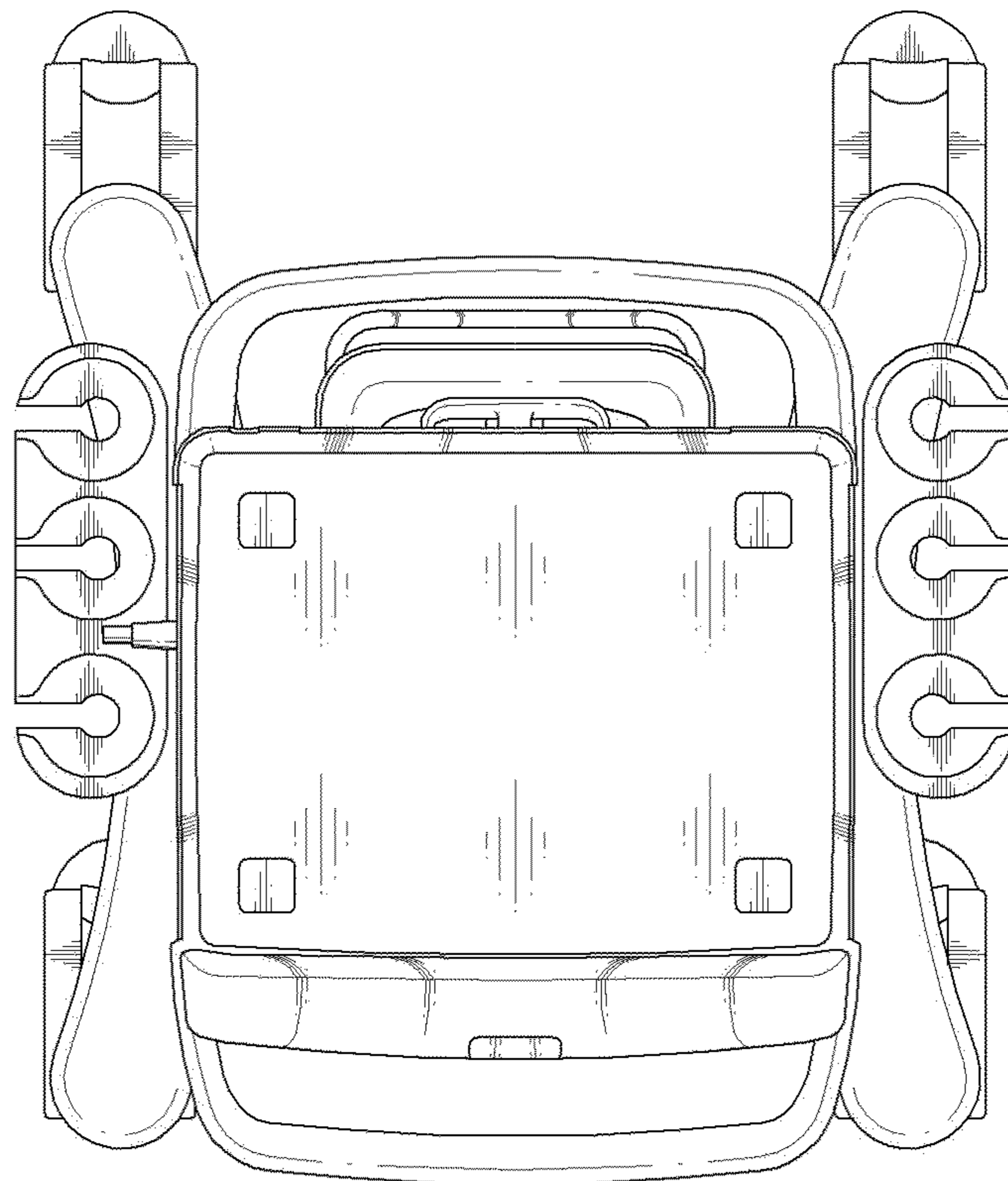


FIG. 7

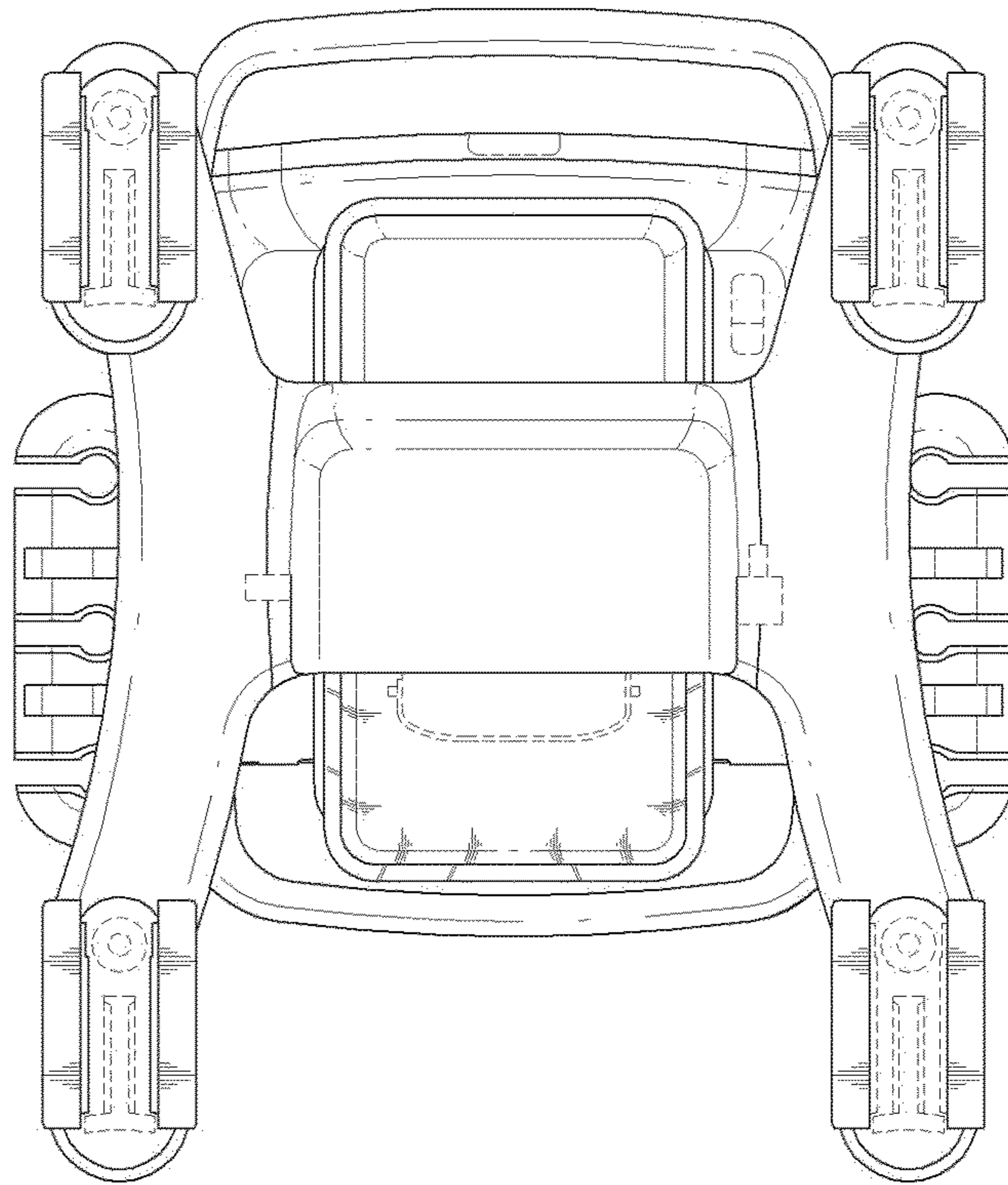




FIG. 8

