

US00D696769S

(12) **United States Design Patent**
Schenck et al.

(10) **Patent No.:** **US D696,769 S**
(45) **Date of Patent:** **** Dec. 31, 2013**

(54) **CATHETER PUMP CONSOLE INTERFACE**
(71) Applicant: **Thoratec Corporation**, Pleasanton, CA (US)
(72) Inventors: **Alan L. Schenck**, Sunnyvale, CA (US);
Keif Fitzgerald, San Jose, CA (US);
Paul Muller, San Carlos, CA (US);
Joseph P. Sullivan, Issaquah, WA (US);
Keith Schubert, Redmond, WA (US);
Peter W. Bristol, Seattle, WA (US);
Jeffrey Paul Mills, Barrington, IL (US);
Patrick Vilbrandt, Edmonds, WA (US);
Paul C. Leonard, Woodinville, WA (US)

(73) Assignee: **Thoratec Corporation**, Pleasanton, CA (US)

(**) Term: **14 Years**

(21) Appl. No.: **29/449,306**

(22) Filed: **Mar. 14, 2013**

(51) **LOC (9) Cl.** **24-02**

(52) **U.S. Cl.**
USPC **D24/111**

(58) **Field of Classification Search**
USPC D24/107, 108, 111; D15/7-9;
128/204.21; 604/151-155
See application file for complete search history.

(56) **References Cited**

U.S. PATENT DOCUMENTS

4,537,561 A 8/1985 Xanthopoulos
D290,127 S * 6/1987 Goldman et al. D15/8
4,673,334 A 6/1987 Allington et al.
4,762,517 A * 8/1988 McIntyre et al. 604/175
5,044,902 A 9/1991 Malbec
5,074,756 A 12/1991 Davis

5,364,342 A 11/1994 Beuchat et al.
5,397,222 A 3/1995 Moss et al.
5,586,868 A 12/1996 Lawless et al.
6,109,895 A 8/2000 Rey et al.
6,572,349 B2 6/2003 Sorensen et al.
6,582,418 B1 * 6/2003 Verbeek et al. 604/892.1
6,962,488 B2 11/2005 Davis et al.
7,018,182 B2 3/2006 O'Mahony et al.

(Continued)

FOREIGN PATENT DOCUMENTS

WO WO 2009/042192 A1 4/2009

Primary Examiner — Stella Reid

Assistant Examiner — Richelle G Shelton

(74) *Attorney, Agent, or Firm* — Knobbe Martens Olson & Bear LLP

(57) **CLAIM**

The ornamental designs for a catheter pump console interface, as shown and described.

DESCRIPTION

FIG. 1 is a front perspective view of an embodiment of a catheter pump console interface according to the present designs;

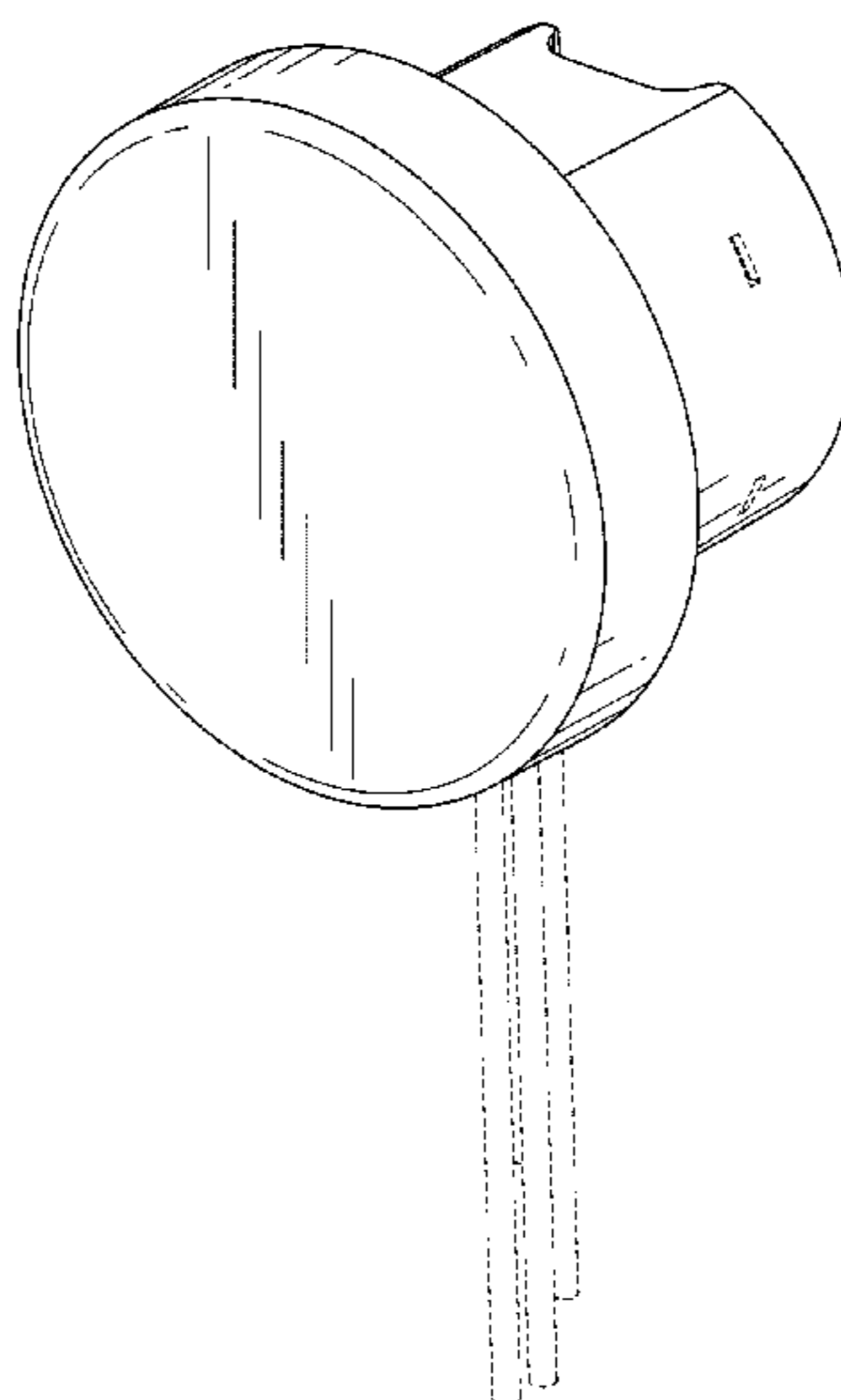
FIG. 2 is a rear perspective view of the embodiment of FIG. 1; FIG. 3 is a front elevation view of the embodiment of FIG. 1; FIG. 4 is a rear elevation view of the embodiment of FIG. 1; FIG. 5 is a right-side elevation view of the embodiment of FIG. 1;

FIG. 6 is a left-side elevation view of the embodiment of FIG. 1;

FIG. 7 is a top plan view of the embodiment of FIG. 1; and, FIG. 8 is a bottom plan view of the embodiment of FIG. 1.

The broken line showing of portions of the article is included for the purpose of illustrating environmental structure and forms no part of the claimed design.

1 Claim, 5 Drawing Sheets



(56)

References Cited

U.S. PATENT DOCUMENTS

7,238,010	B2	7/2007	Hershberger et al.	2007/0217933	A1	9/2007	Haser et al.	
7,393,189	B2	7/2008	Davis et al.	2008/0097291	A1*	4/2008	Hanson et al.	604/93.01
7,462,019	B1*	12/2008	Allarie et al.	2009/0053085	A1	2/2009	Thompson et al.	
7,479,999	B2	1/2009	Limoges et al.	2009/0281497	A1*	11/2009	Kamen et al.	604/151
7,547,200	B2	6/2009	O'Mahony et al.	2010/0137802	A1	6/2010	Yodfat et al.	
7,632,079	B2	12/2009	Hershburger et al.	2010/0174239	A1	7/2010	Yodfat et al.	
7,934,912	B2	5/2011	Voltenburg et al.	2011/0004159	A1*	1/2011	Nelson et al.	604/151
8,062,008	B2	11/2011	Voltemburg, Jr. et al.	2011/0009724	A1*	1/2011	Hill et al.	600/365
8,083,503	B2	12/2011	Voltemburg, Jr. et al.	2011/0015610	A1	1/2011	Plahey et al.	
8,142,400	B2	3/2012	Rotem et al.	2011/0106004	A1	5/2011	Eubanks et al.	
2004/0116862	A1	6/2004	Ray	2011/0152831	A1	6/2011	Rotem et al.	
2007/0049870	A1*	3/2007	Gray et al.	2011/0218516	A1	9/2011	Grigorov	
				2011/0300010	A1	12/2011	Jarnagin et al.	
				2012/0283639	A1*	11/2012	Ali et al.	604/151

* cited by examiner

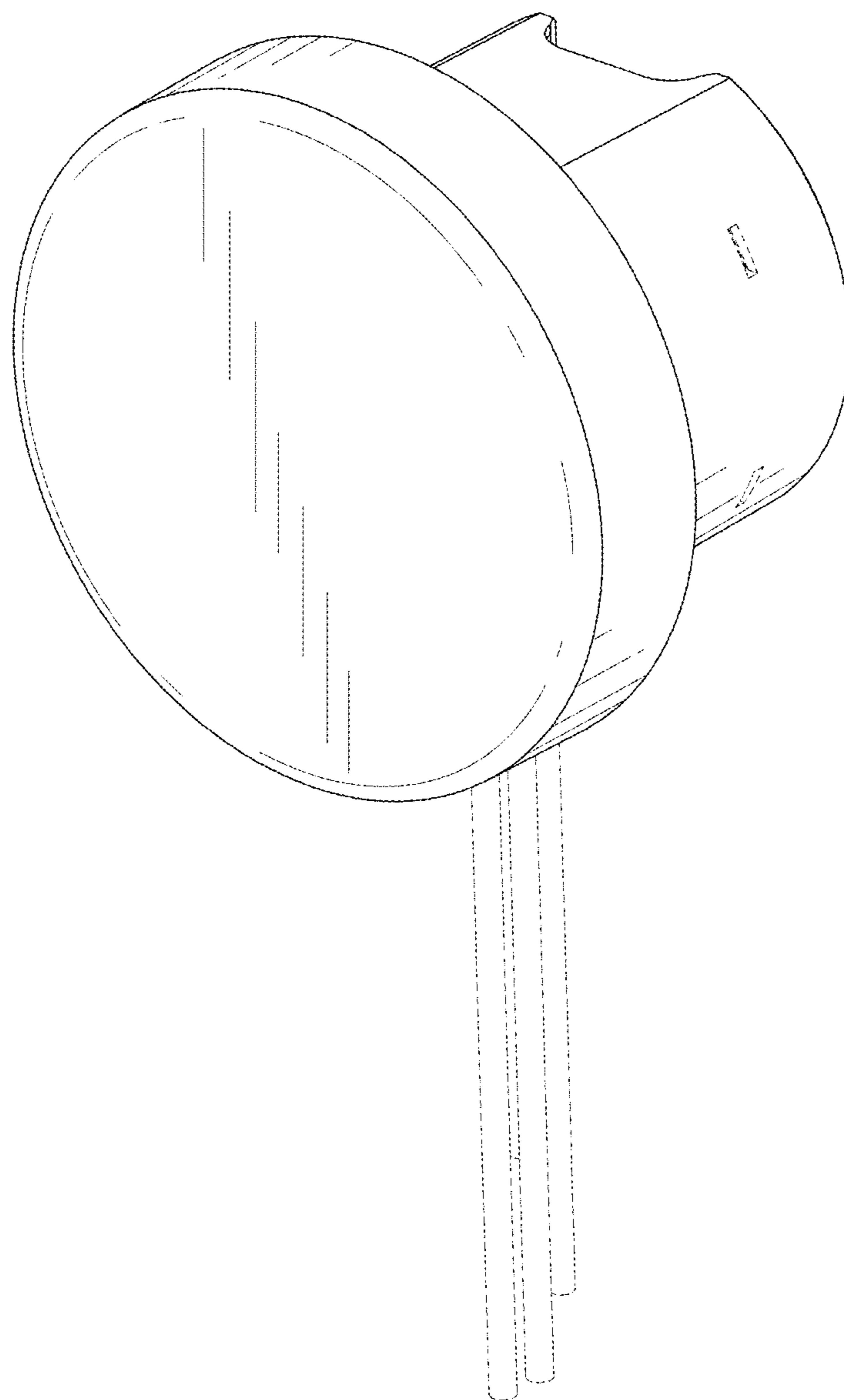


FIG. 1

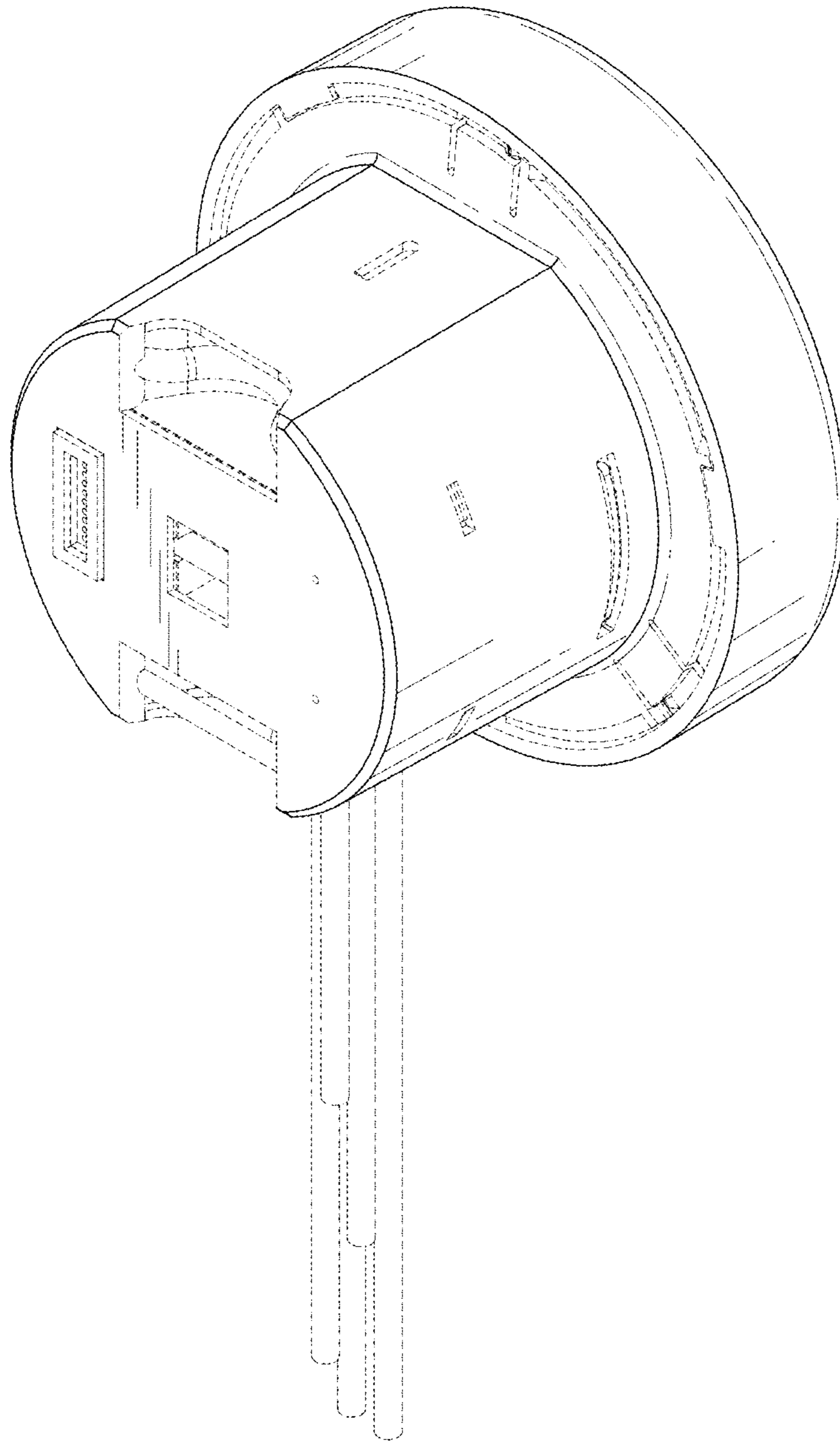


FIG. 2

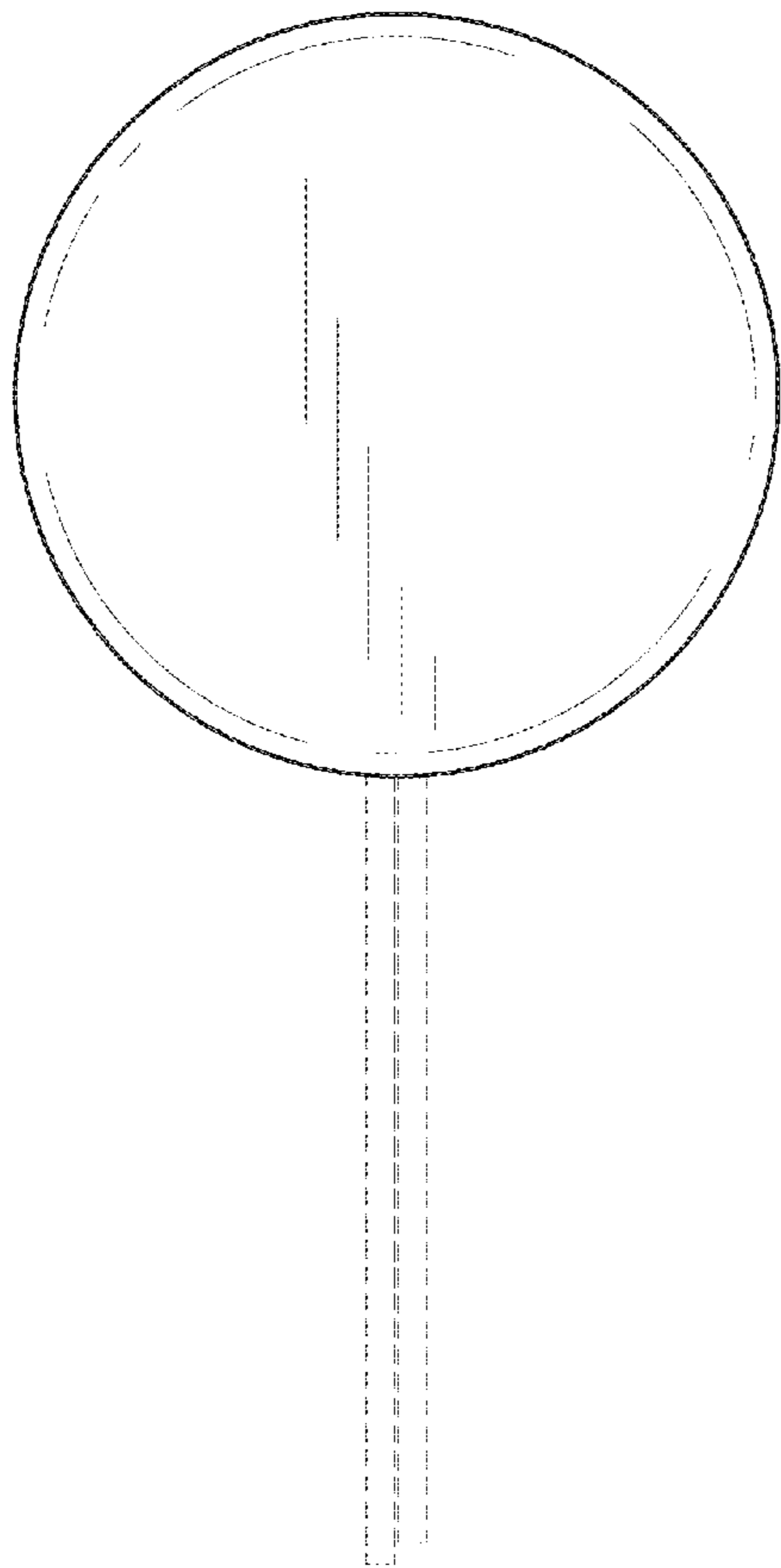


FIG. 3

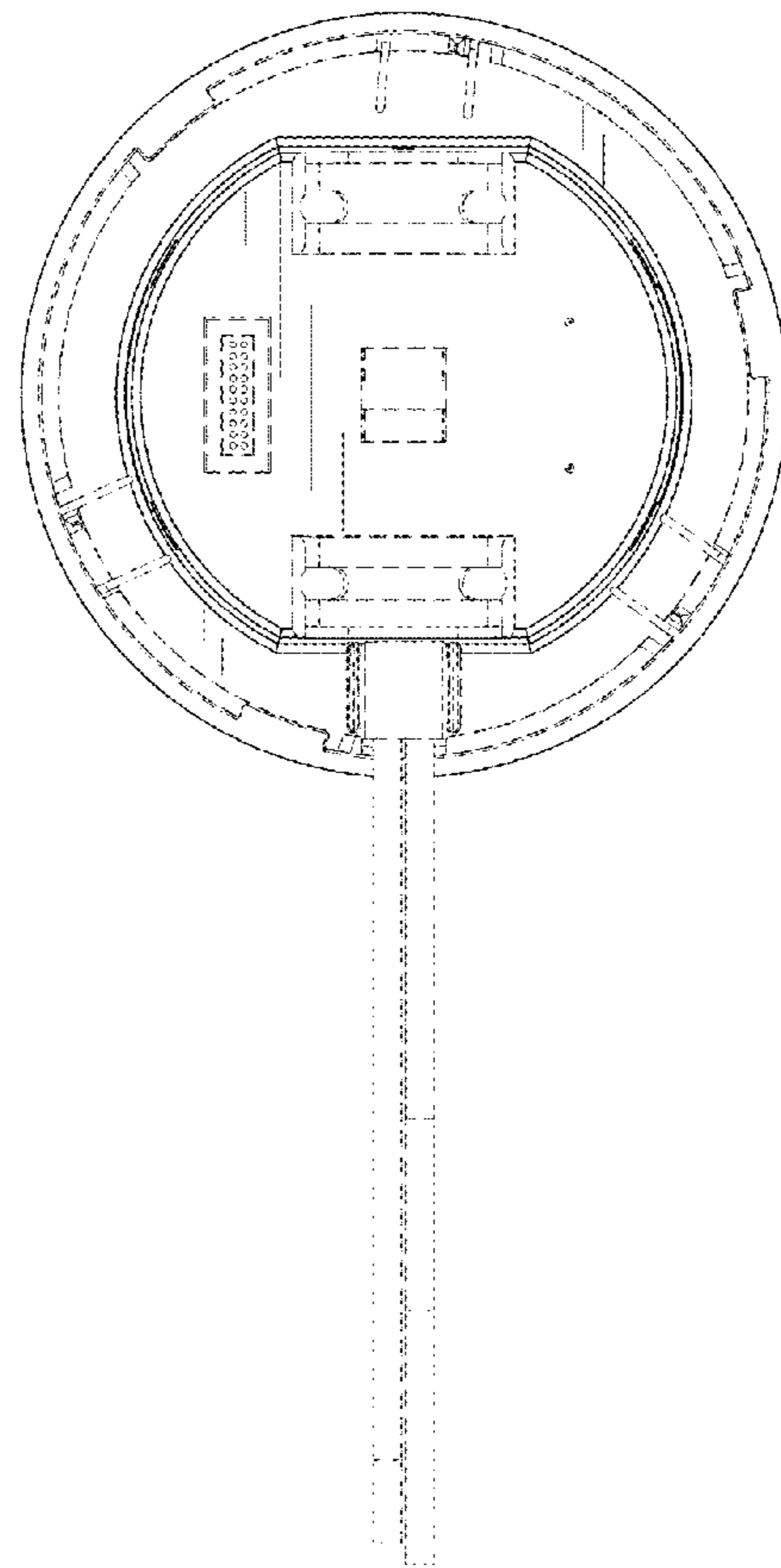


FIG. 4

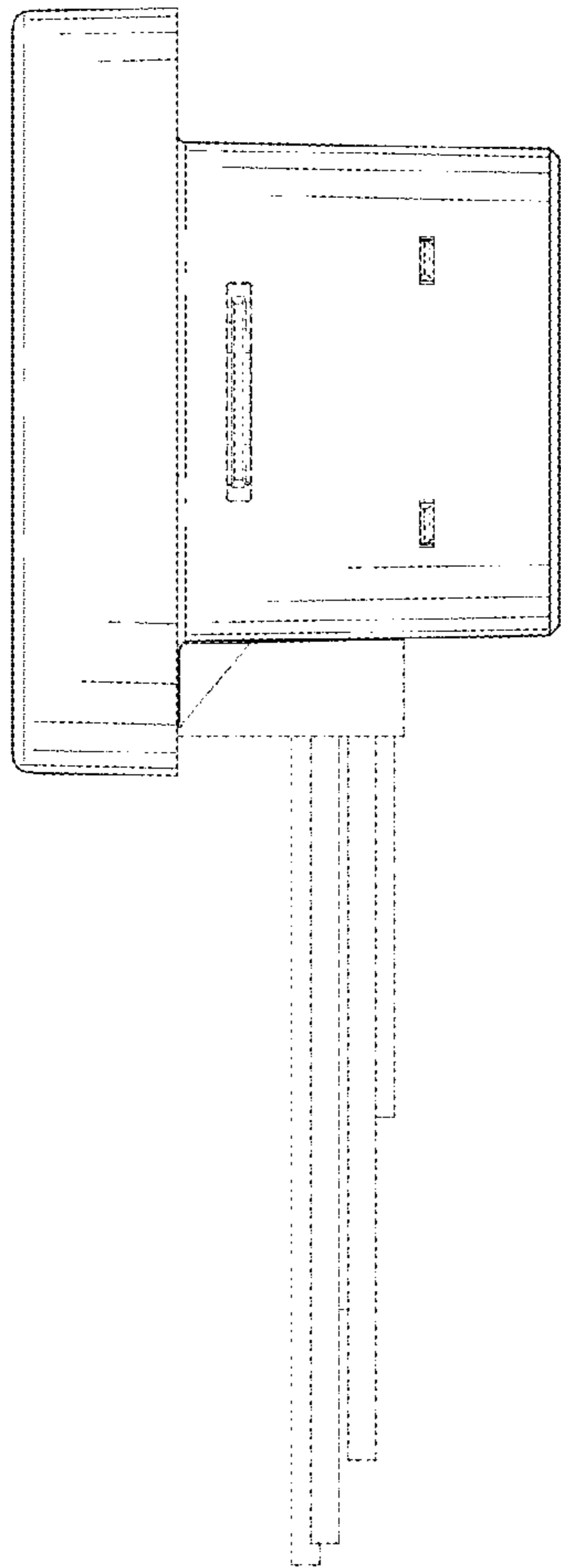


FIG. 5

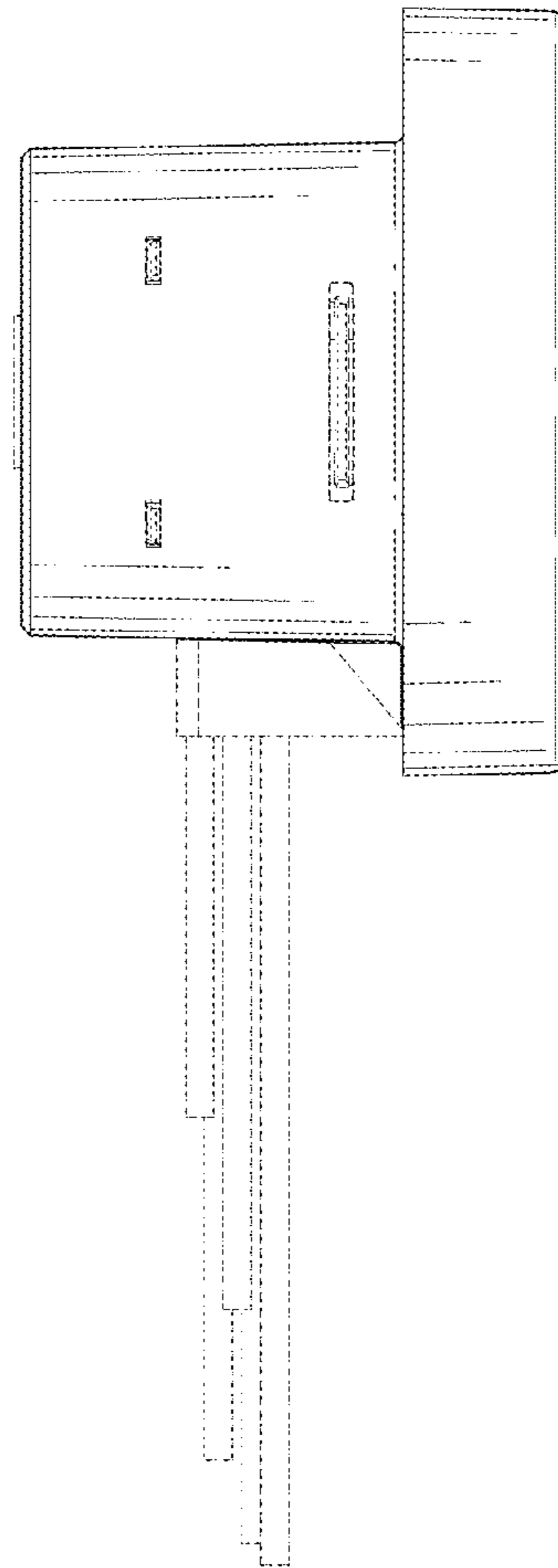


FIG. 6

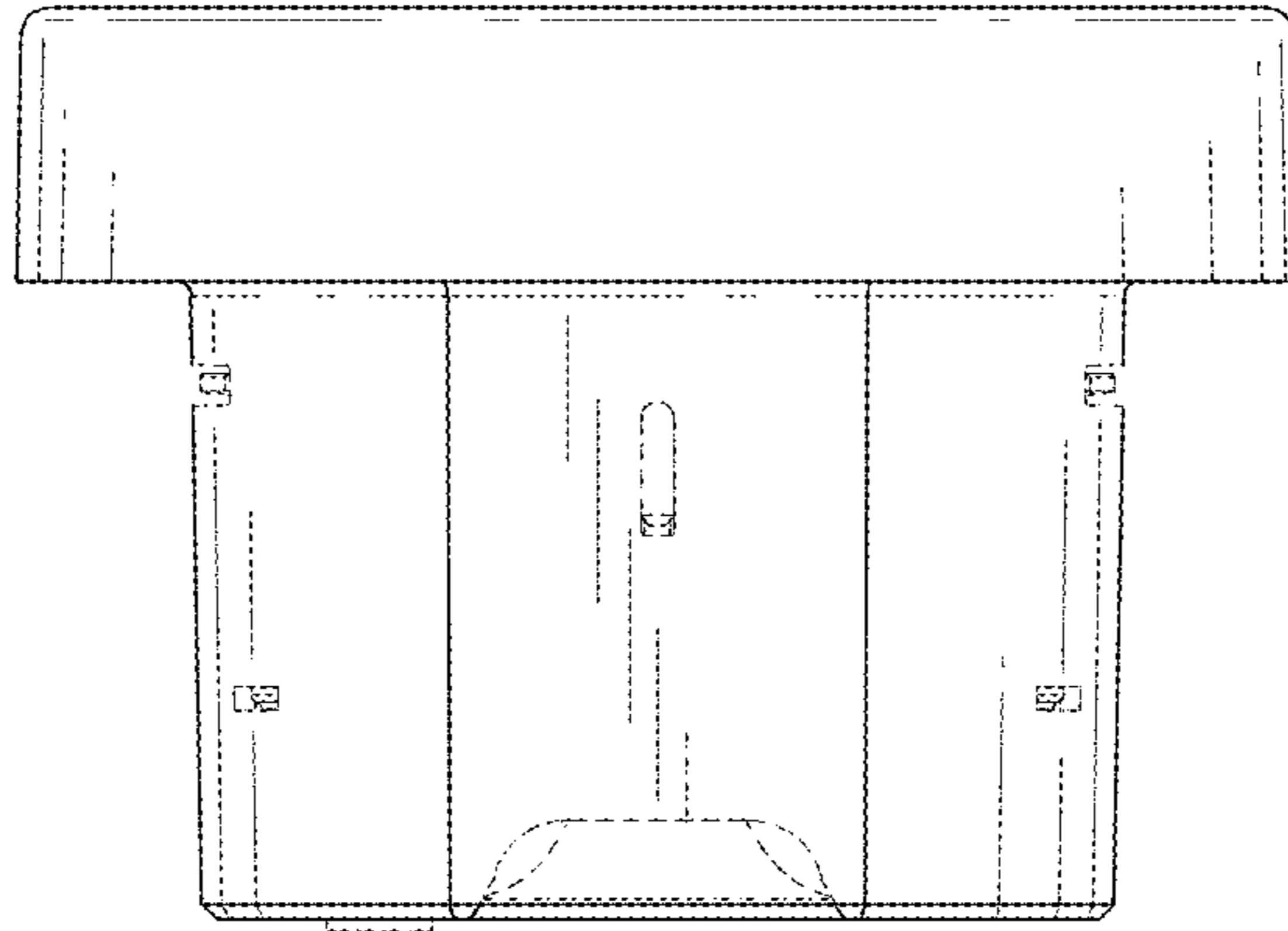


FIG. 7

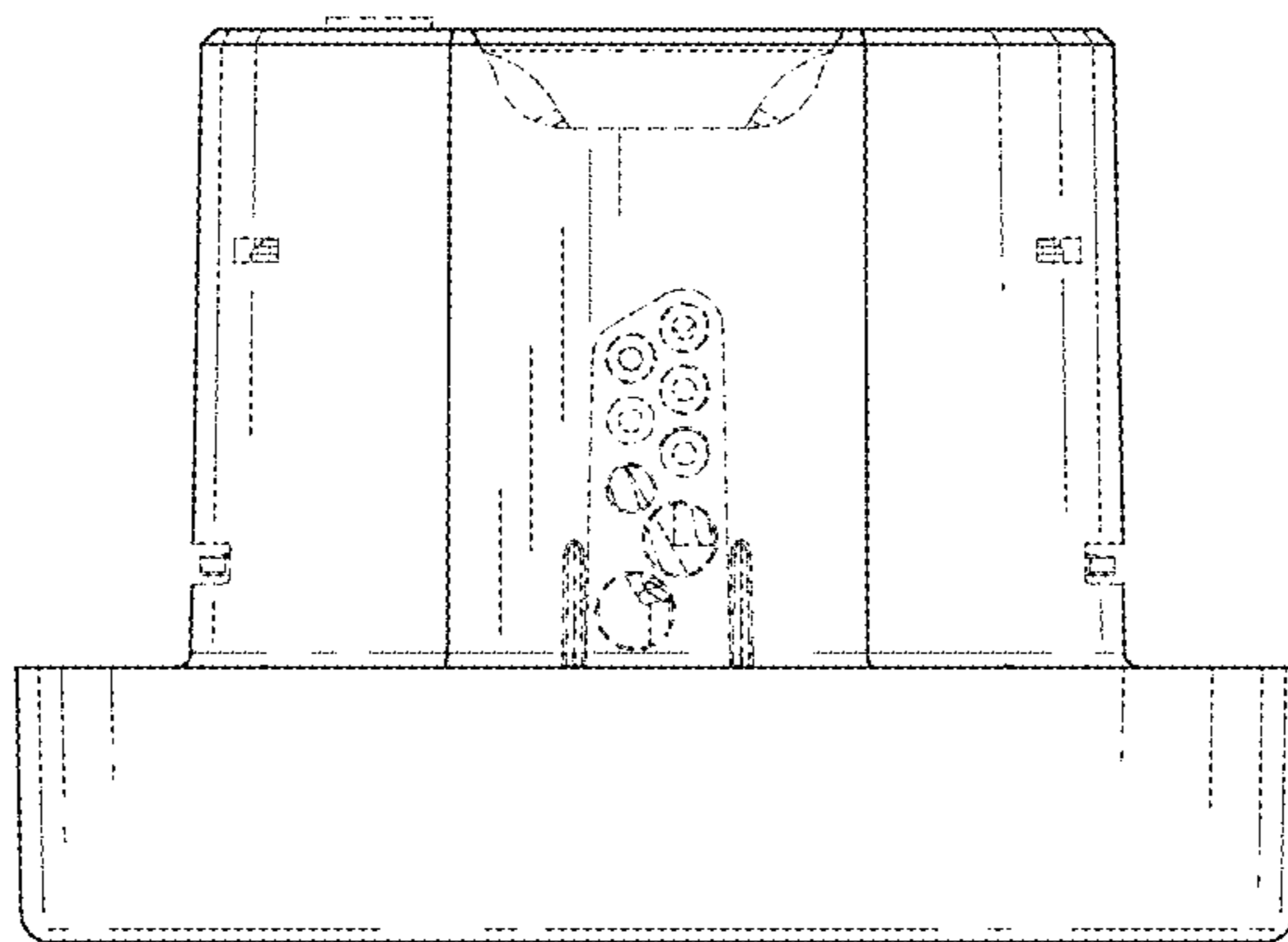


FIG. 8