



US00D696768S

(12) **United States Design Patent**
Karlsson et al.

(10) **Patent No.:** **US D696,768 S**

(45) **Date of Patent:** **** Dec. 31, 2013**

(54) **METERED DOSE INHALER**

(71) Applicant: **Pharmaero ApS**, Copenhagen S (DK)

(72) Inventors: **Martin Karlsson**, Göteborg (SE); **Nils Ronquist**, Stockholm (SE); **Marcus Söderlund**, Stockholm (SE); **Ulf Persson**, Bromma (SE)

(73) Assignee: **Pharmaero APS**, Copenhagen S (DK)

(**) Term: **14 Years**

(21) Appl. No.: **29/447,751**

(22) Filed: **Mar. 6, 2013**

(30) **Foreign Application Priority Data**

Dec. 5, 2012 (EM) 002148189

(51) **LOC (9) Cl.** **29-02**

(52) **U.S. Cl.**
USPC **D24/110.5**

(58) **Field of Classification Search**
USPC D24/110, 110.5; 128/200.12, 200.14,
128/200.15, 200.23
See application file for complete search history.

(56) **References Cited**

U.S. PATENT DOCUMENTS

D344,797 S *	3/1994	Sochon et al.	D24/110
D348,928 S *	7/1994	Ashley et al.	D24/110
D352,999 S *	11/1994	Nicholson et al.	D24/110
D362,500 S *	9/1995	Cook et al.	D24/110
D416,085 S *	11/1999	Forssell et al.	D24/110
D463,544 S *	9/2002	Engelbreth et al.	D24/110
D635,241 S *	3/2011	McLean	D24/110

2005/0150488 A1 *	7/2005	Dave	128/200.14
2008/0041372 A1 *	2/2008	Poole et al.	128/200.24
2008/0041375 A1 *	2/2008	Stratton	128/203.24

* cited by examiner

Primary Examiner — Ian Simmons

Assistant Examiner — Richelle G Shelton

(74) *Attorney, Agent, or Firm* — Wong, Cabello, Lutsch, Rutherford & Bruculeri, LLP.

(57) **CLAIM**

The ornamental design for a metered dose inhaler, as shown and described.

DESCRIPTION

FIG. 1 is a perspective view of a metered dose inhaler showing our new design.

FIG. 2 is an elevational view of a front side of the metered dose inhaler.

FIG. 3 is an elevational view of a left side of the metered dose inhaler.

FIG. 4 is an elevational view of a right side of the metered dose inhaler.

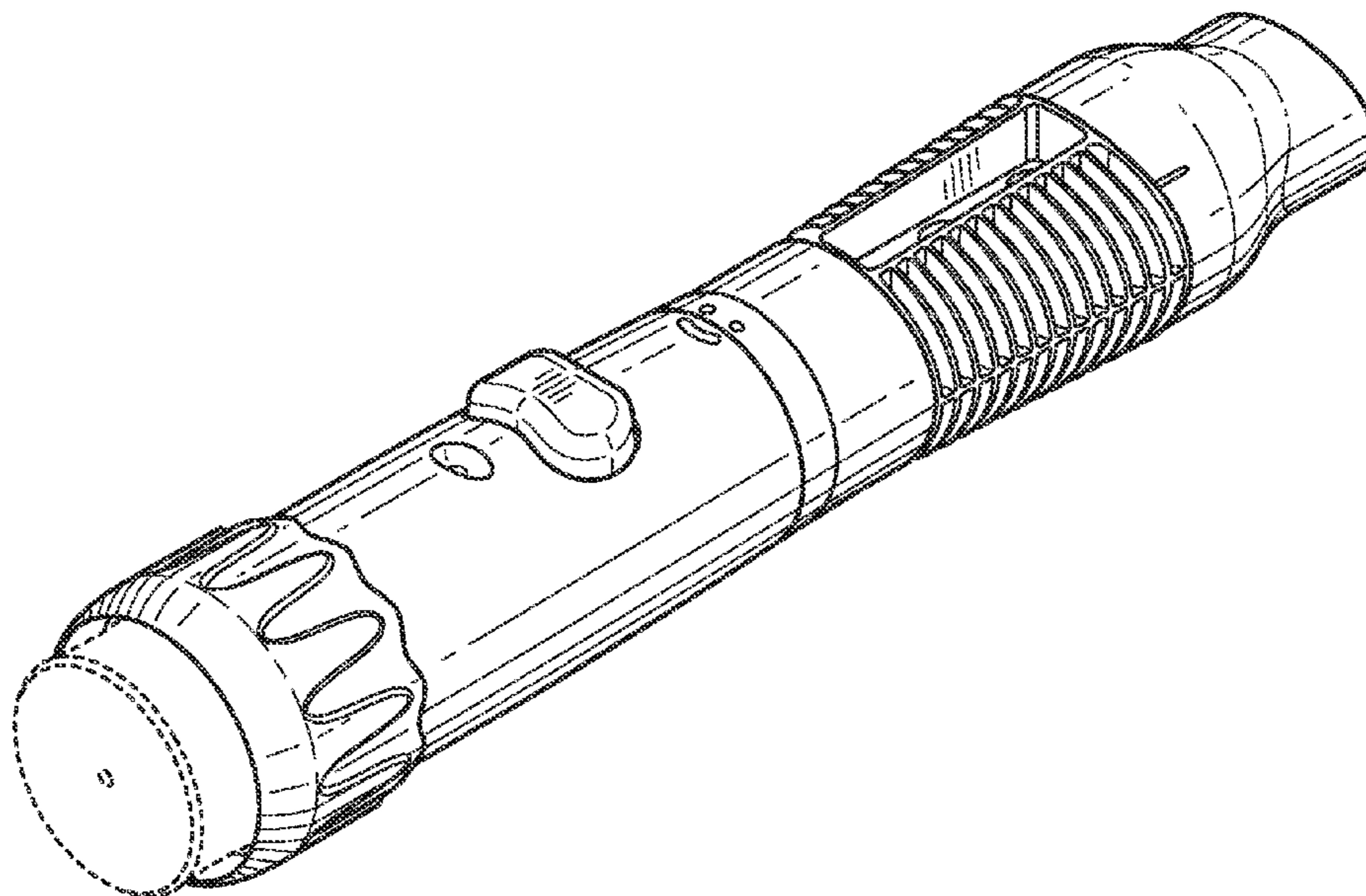
FIG. 5 is an elevational view of a back side of the metered dose inhaler.

FIG. 6 is a plan view of a top end of the metered dose inhaler; and,

FIG. 7 is a plan view of a bottom end of the metered dose inhaler.

The broken lines showing a canister in FIGS. 1-5 and 7 are included for the purpose of illustrating environment and form no part of the claimed design. The broken lines immediately adjacent to the shaded areas in FIGS. 3-6 represent unclaimed boundaries of the design.

1 Claim, 4 Drawing Sheets



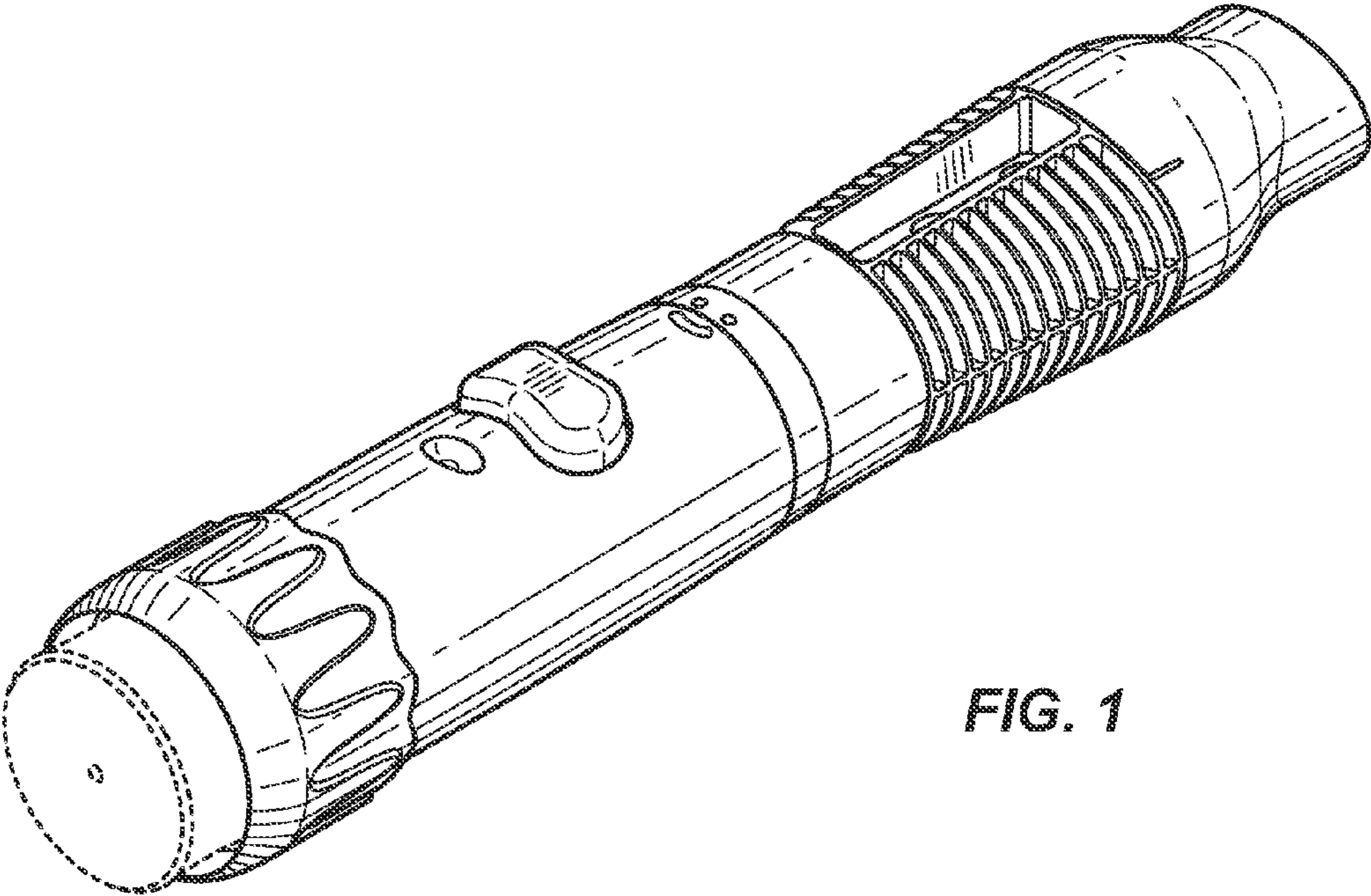


FIG. 1

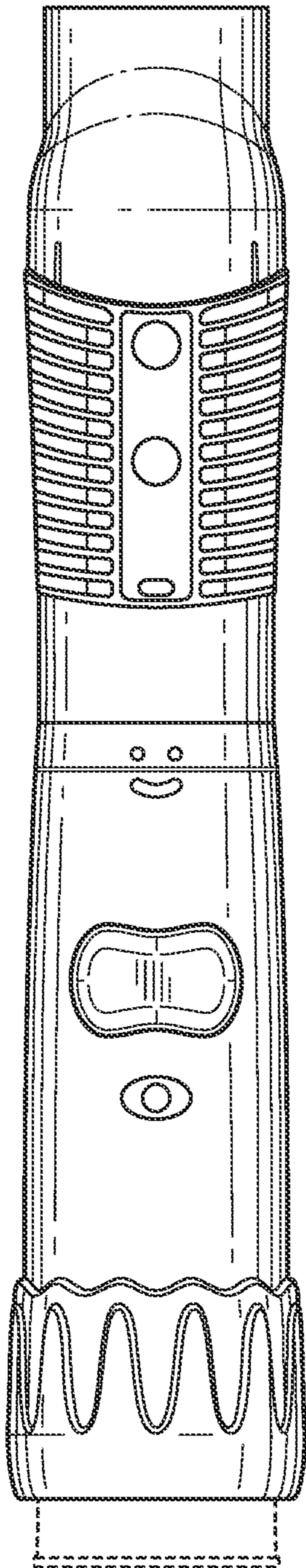


FIG. 2

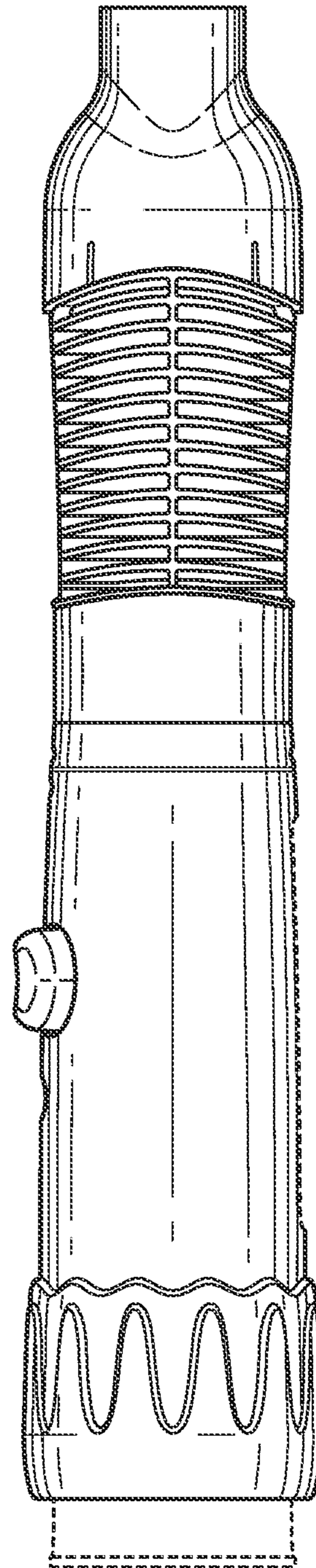


FIG. 3

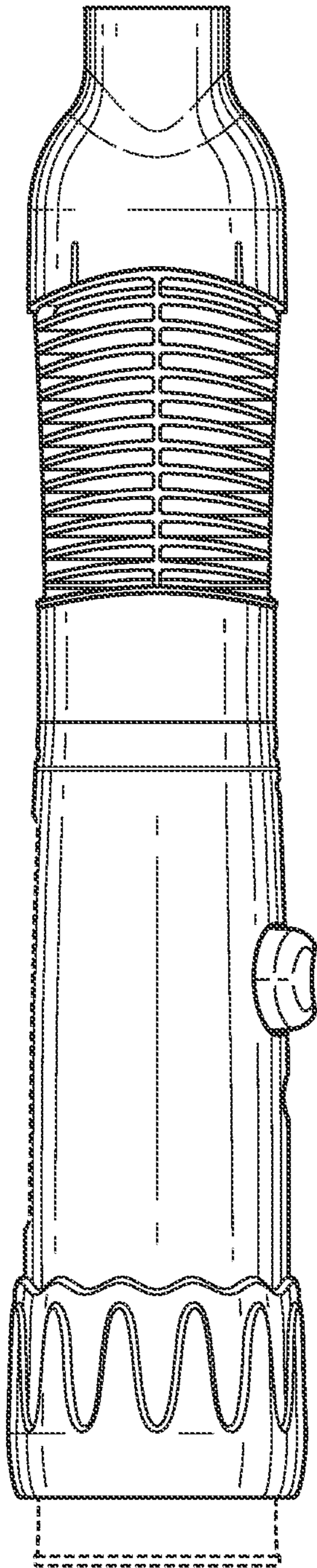


FIG. 4

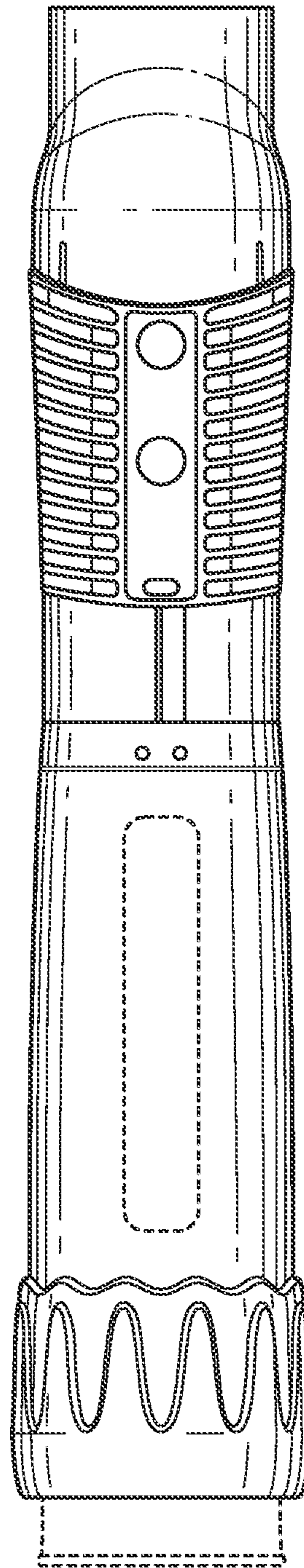


FIG. 5

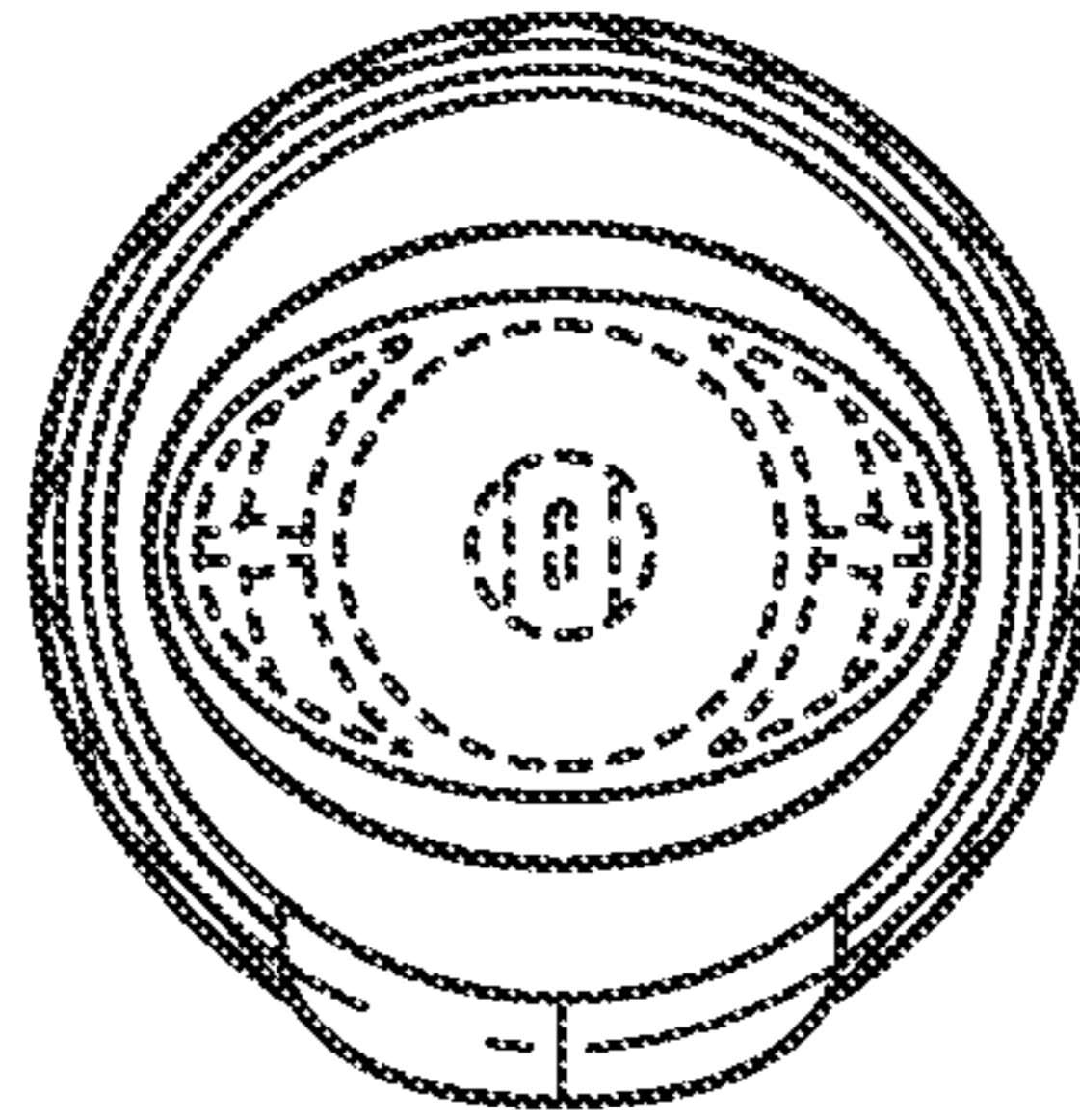


FIG. 6

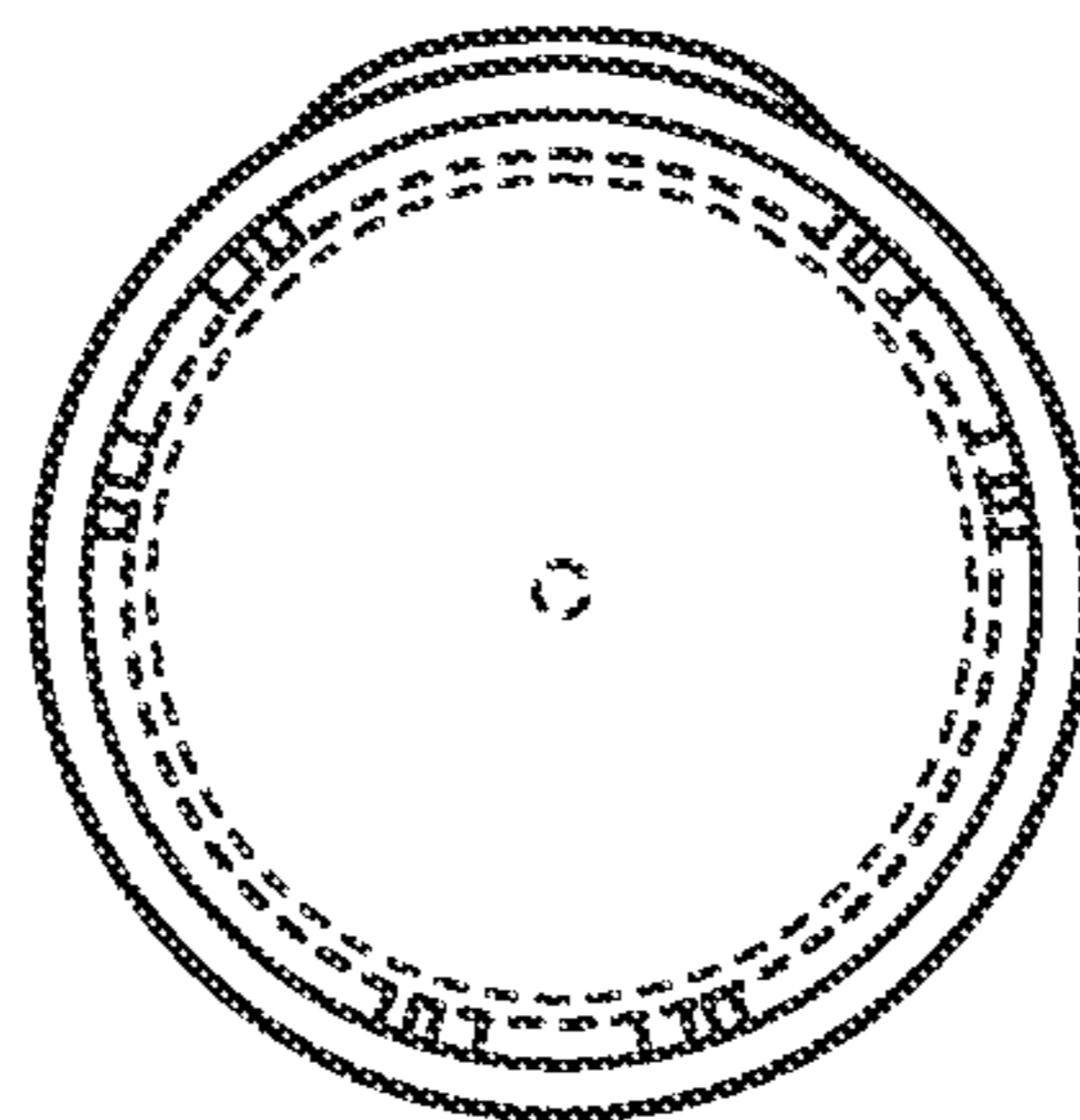


FIG. 7