



US00D696766S

(12) **United States Design Patent**
Maurer et al.

(10) **Patent No.:** **US D696,766 S**
(45) **Date of Patent:** **** Dec. 31, 2013**

(54) **HUMIDIFIER TUB**

(75) Inventors: **Dimitri Marco Maurer**, Umina (AU);
Ian Malcolm Smith, Westleigh (AU);
Richard Llewelyn Jones, Hornsby
Heights (AU); **Hargopal Verma**,
Parramatta (AU); **Mark Bertinetti**,
Ermington (AU)

(73) Assignee: **ResMed Limited**, Bella Vista (AU)

(**) Term: **14 Years**

(21) Appl. No.: **29/399,358**

(22) Filed: **Aug. 12, 2011**

(51) **LOC (9) Cl.** **29-02**

(52) **U.S. Cl.**
USPC **D24/110**

(58) **Field of Classification Search**
USPC D24/110, 164; D23/356-364, 366;
128/200.24, 203.12, 203.16, 203.17,
128/203.26

See application file for complete search history.

(56) **References Cited**

U.S. PATENT DOCUMENTS

D419,658 S *	1/2000	Matchett et al.	D23/356
D593,190 S *	5/2009	Glass	D23/365
D612,480 S *	3/2010	Cork et al.	D24/110
D626,642 S *	11/2010	Virr et al.	D23/356
D627,044 S *	11/2010	Virr et al.	D23/356

D635,244 S *	3/2011	Virr et al.	D24/110
D635,245 S *	3/2011	Virr et al.	D24/110
D635,654 S *	4/2011	Virr et al.	D23/356
D643,114 S *	8/2011	Virr et al.	D24/110
D644,320 S	8/2011	Virr et al.		

* cited by examiner

Primary Examiner — Stella Reid

Assistant Examiner — Richelle G Shelton

(74) *Attorney, Agent, or Firm* — Nixon & Vanderhye P.C.

(57) **CLAIM**

The ornamental design for a humidifier tub, as shown and described.

DESCRIPTION

FIG. 1 is a front perspective view of a humidifier tub for a respiratory apparatus according to our new ornamental design;

FIG. 2 is a front view thereof;

FIG. 3 is a rear view thereof;

FIG. 4 is a top view thereof;

FIG. 5 is a bottom view thereof;

FIG. 6 is a left side view thereof;

FIG. 7 is a right side view thereof;

FIG. 8 is a rear perspective view thereof;

FIG. 9 is an interior perspective view thereof from the rear;

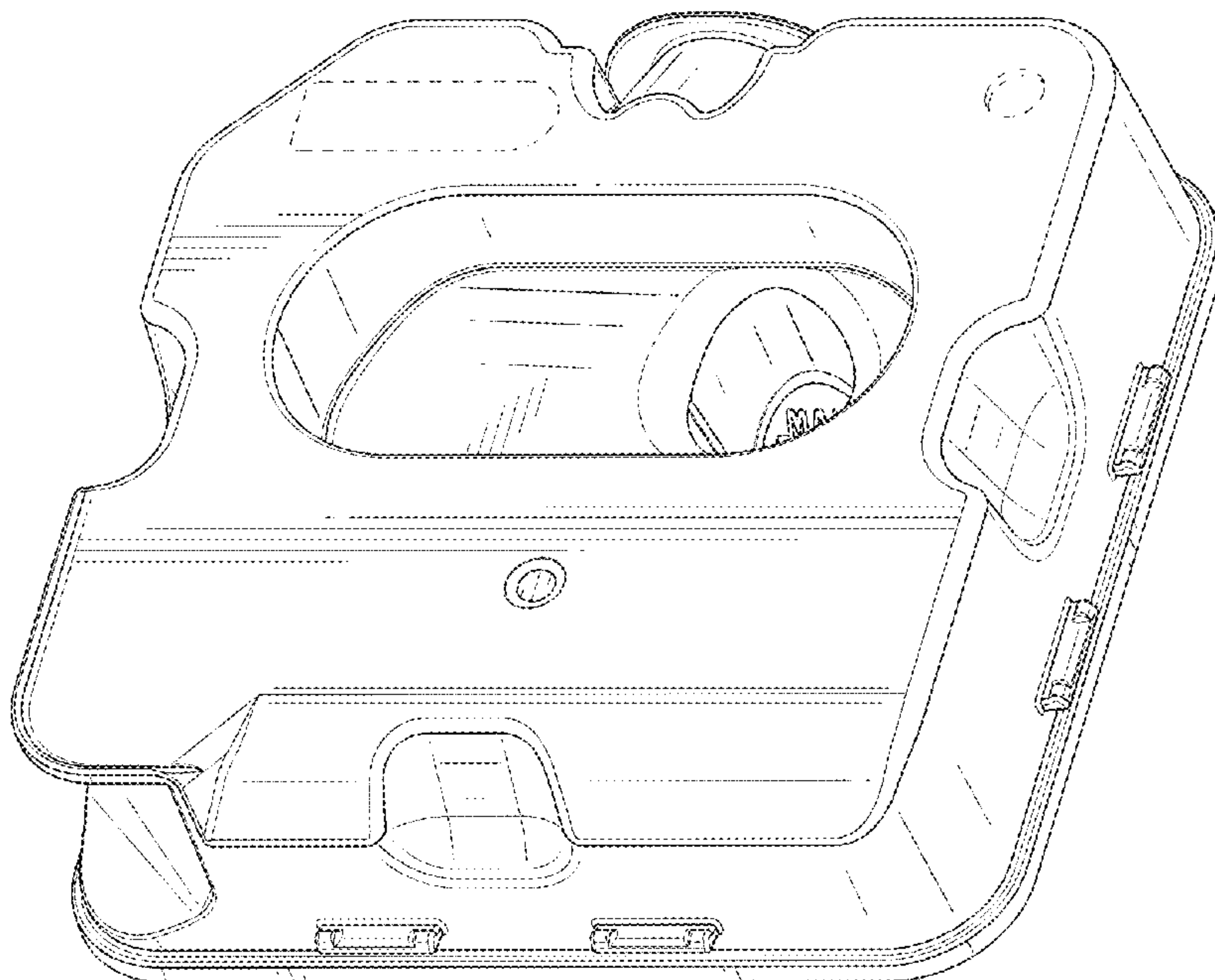
FIG. 10 is a cross section taken along lines 10-10 of FIG. 4;

and,

FIG. 11 is a cross section taken along lines 11-11 of FIG. 4.

Where included, broken lines represent environmental structure and do not form a part of the claimed design.

1 Claim, 8 Drawing Sheets



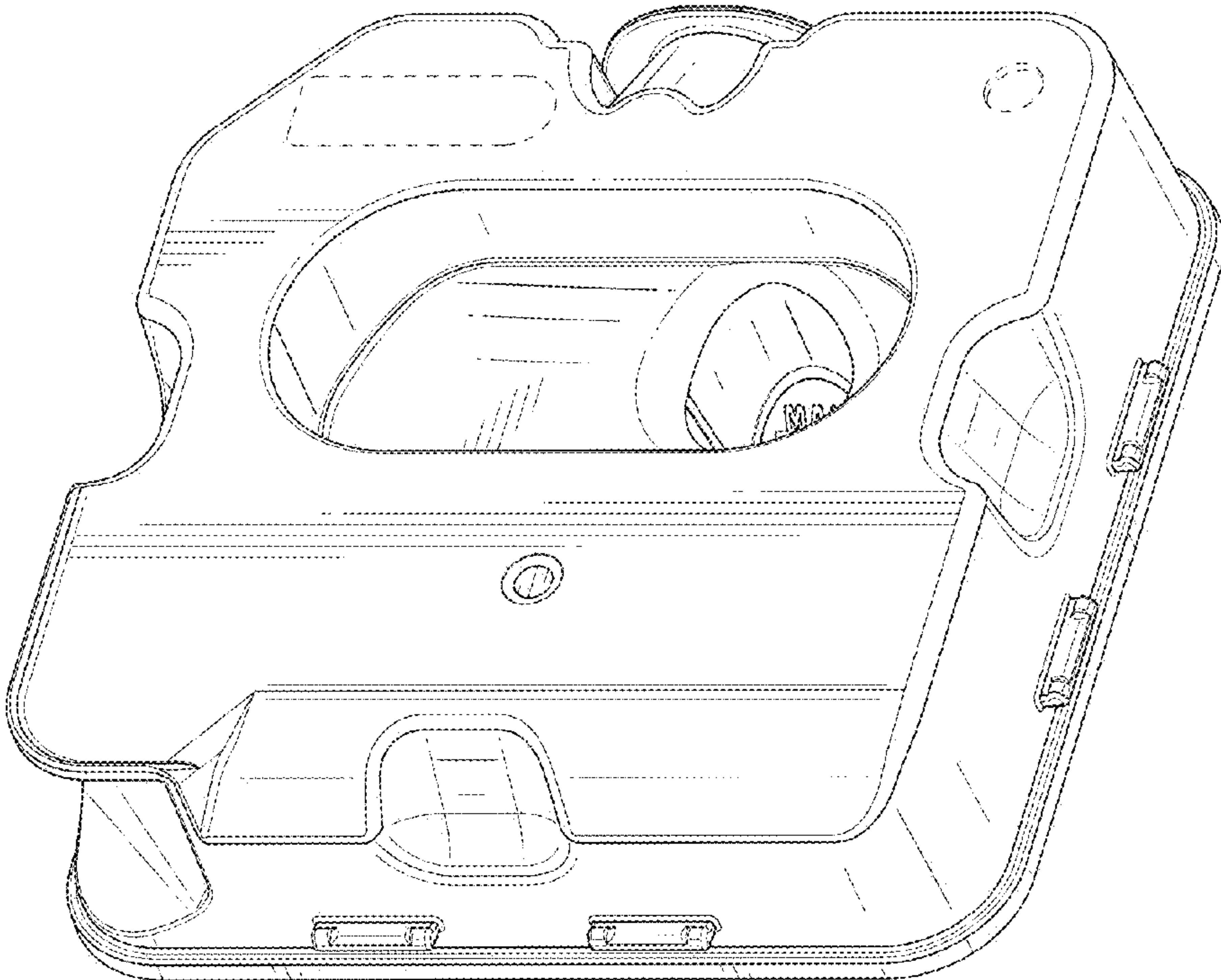
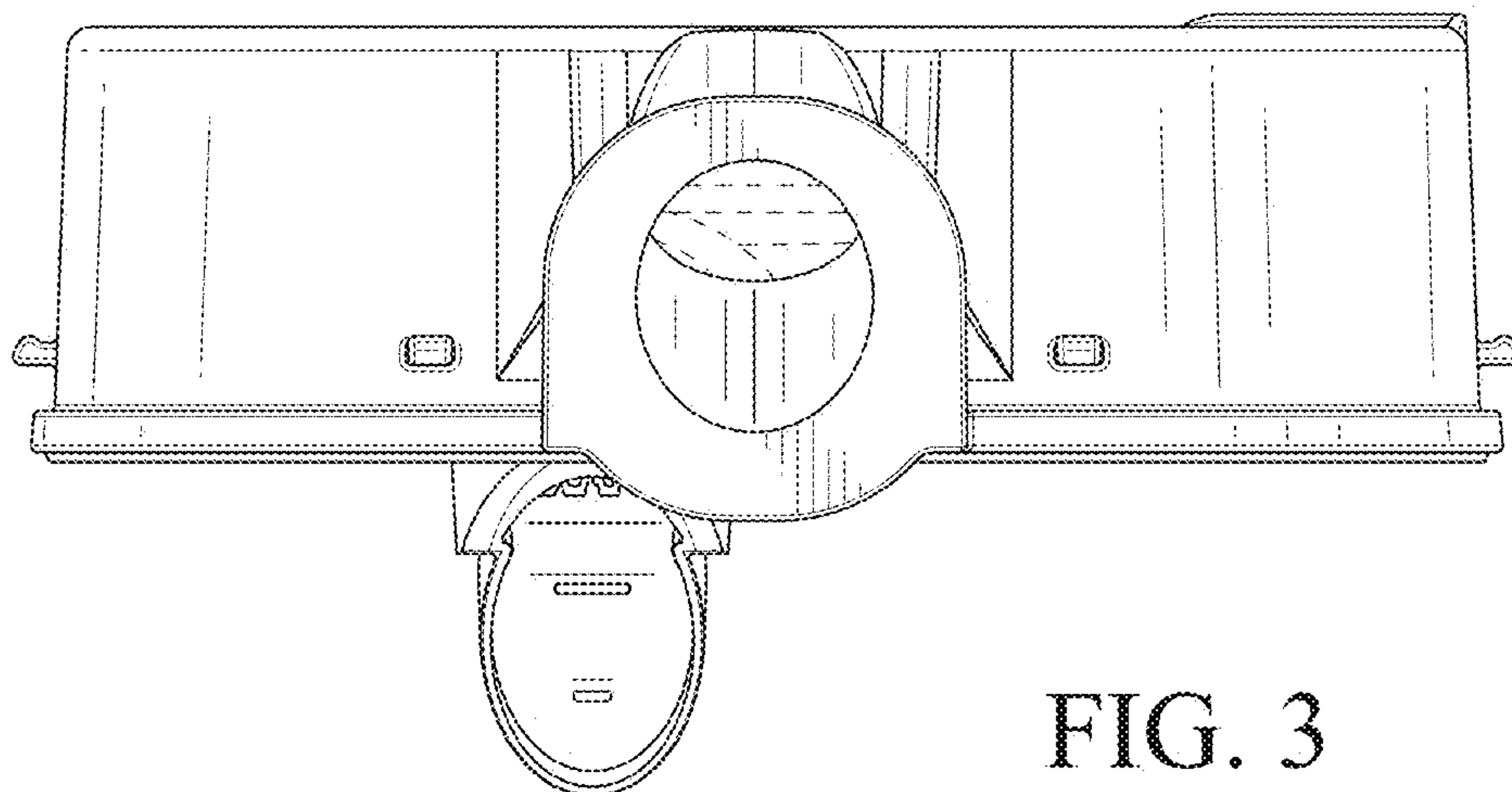
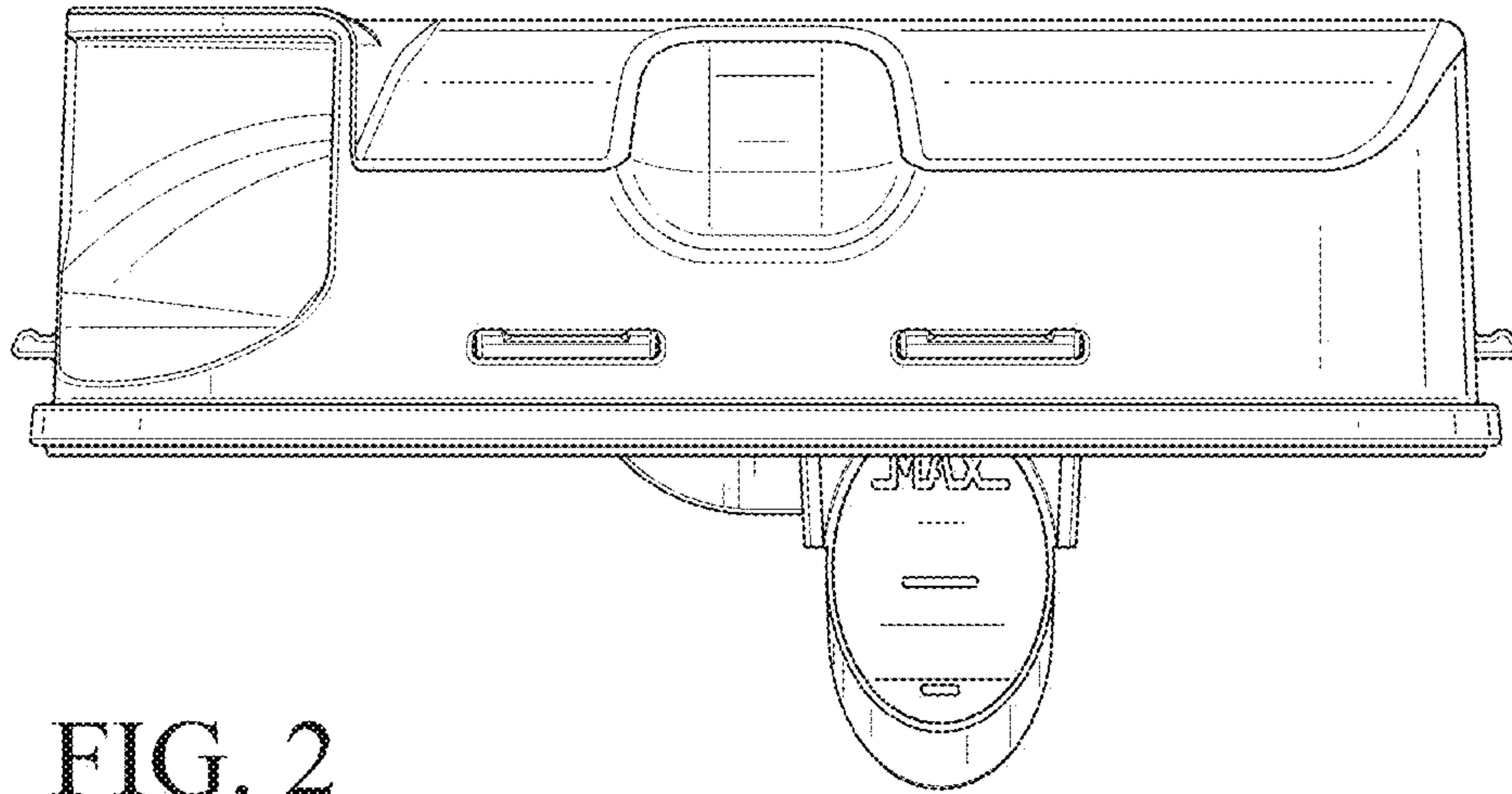


FIG. 1



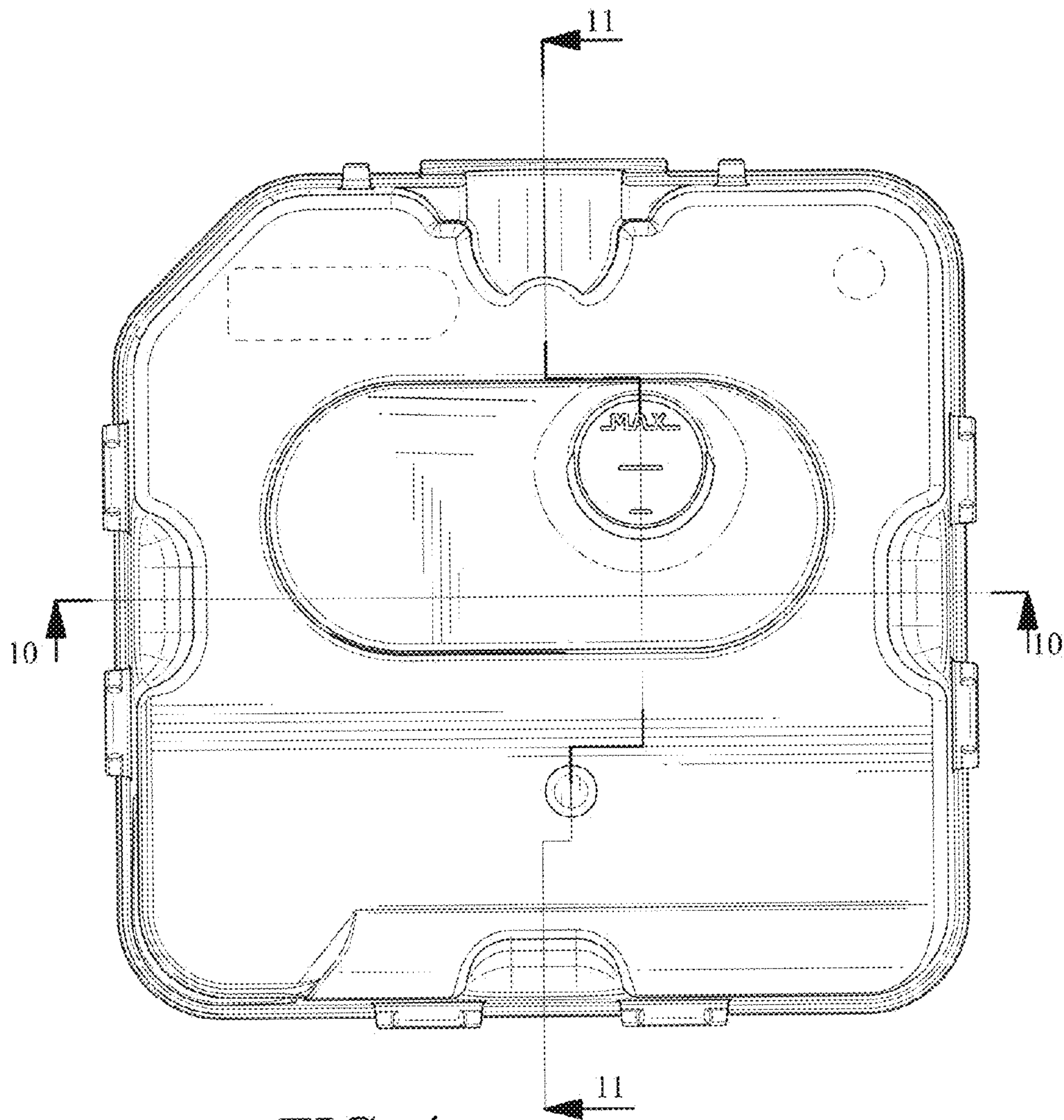


FIG. 4

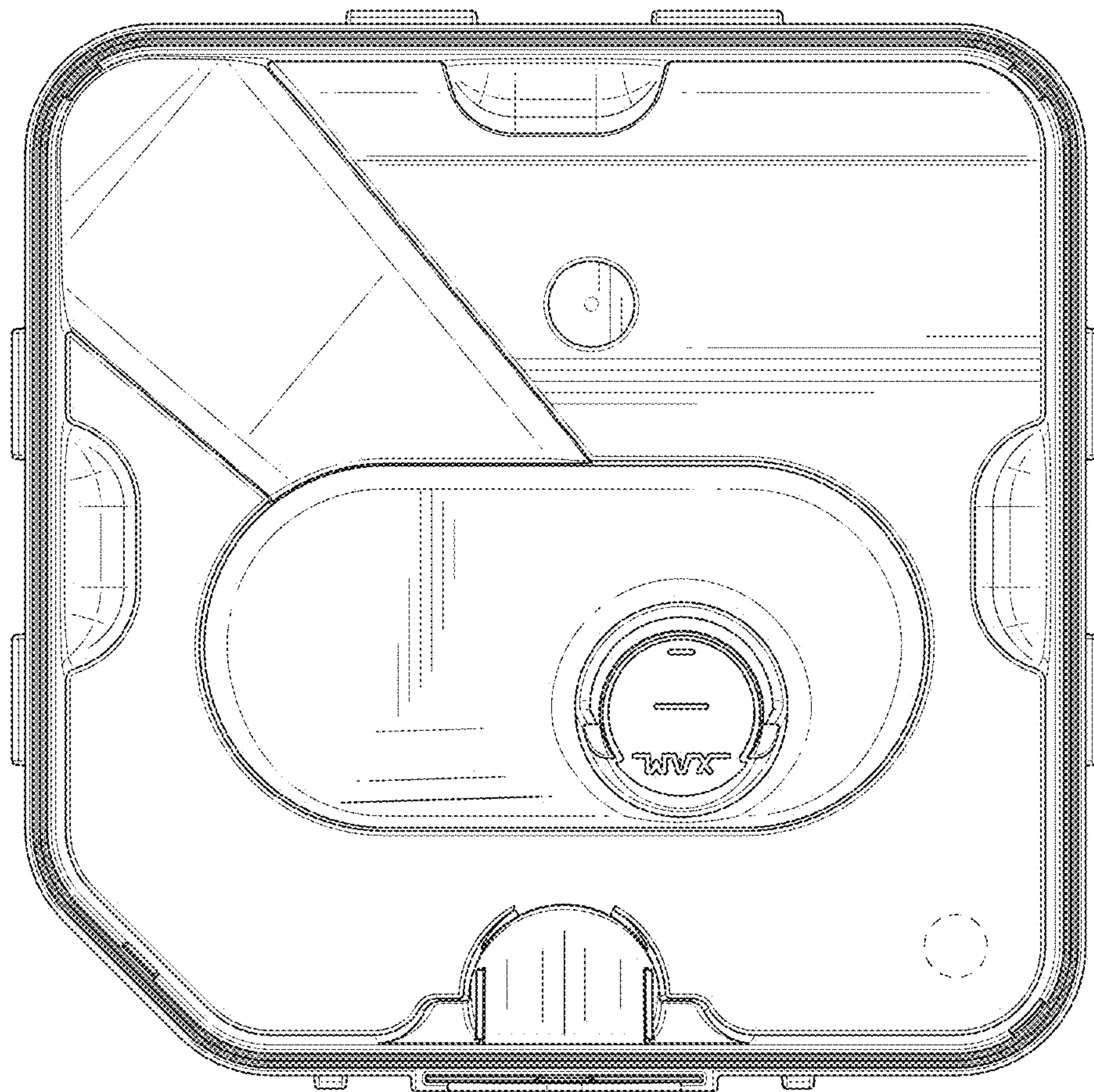


FIG. 5

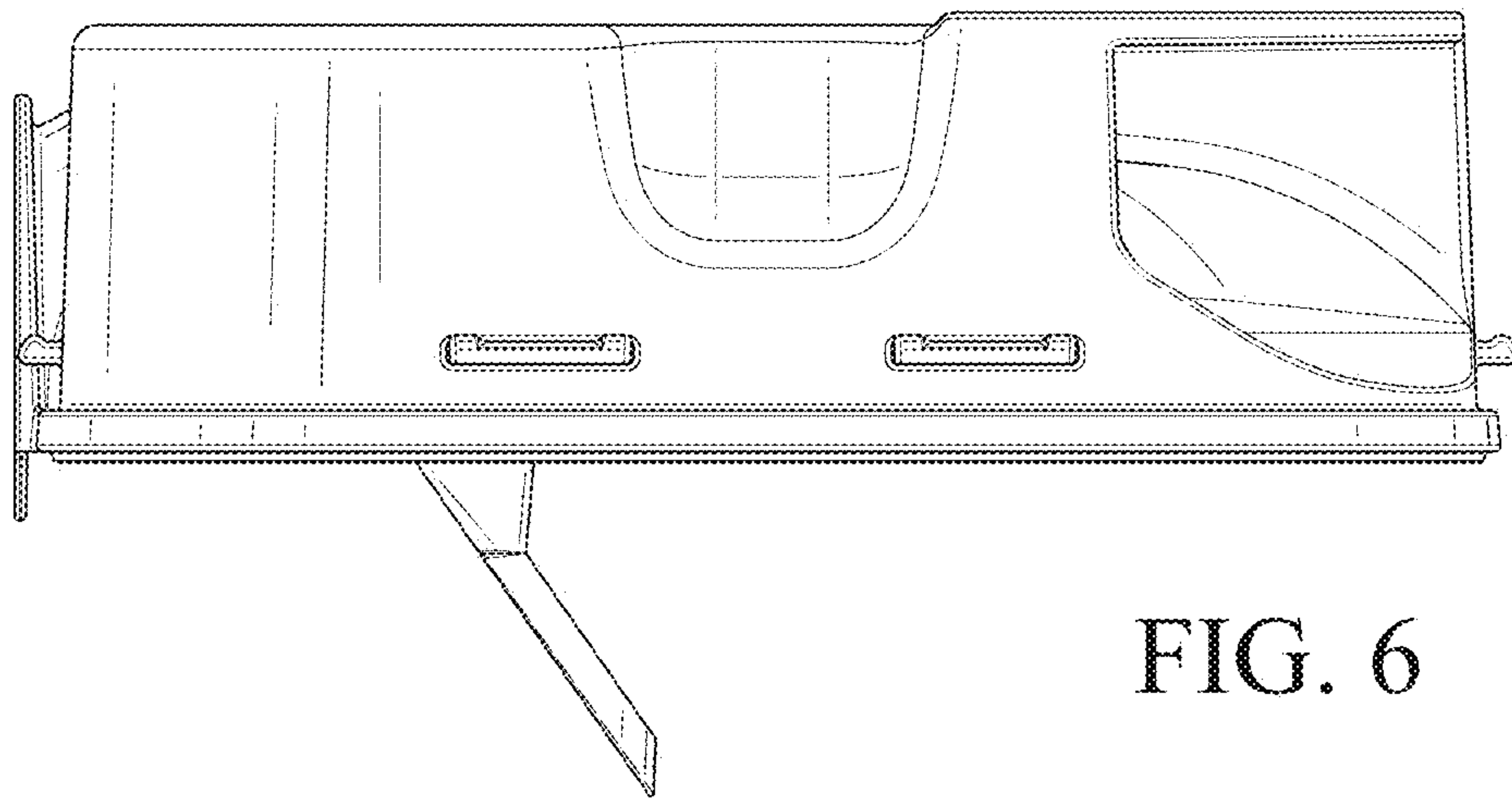


FIG. 6

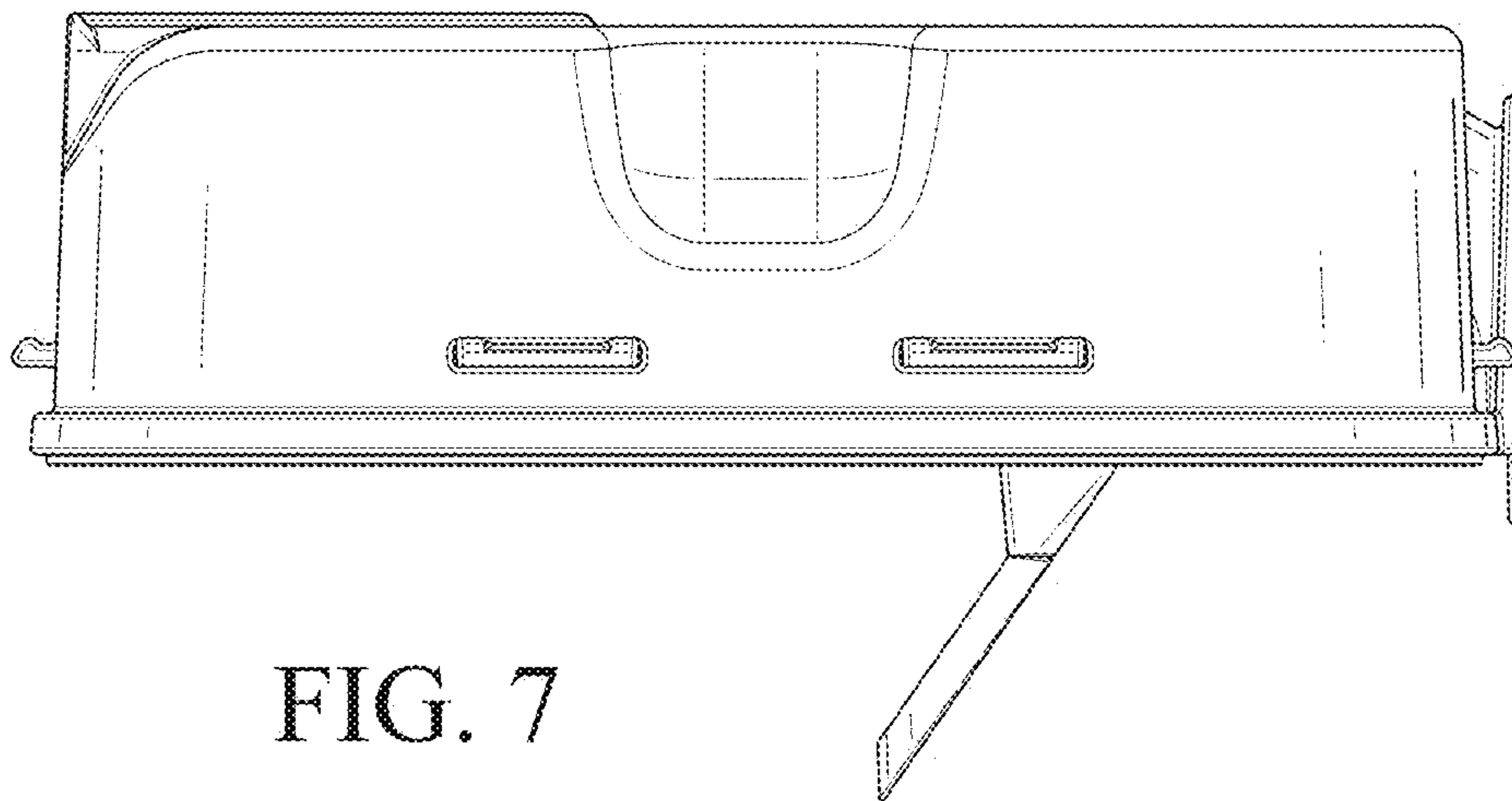


FIG. 7

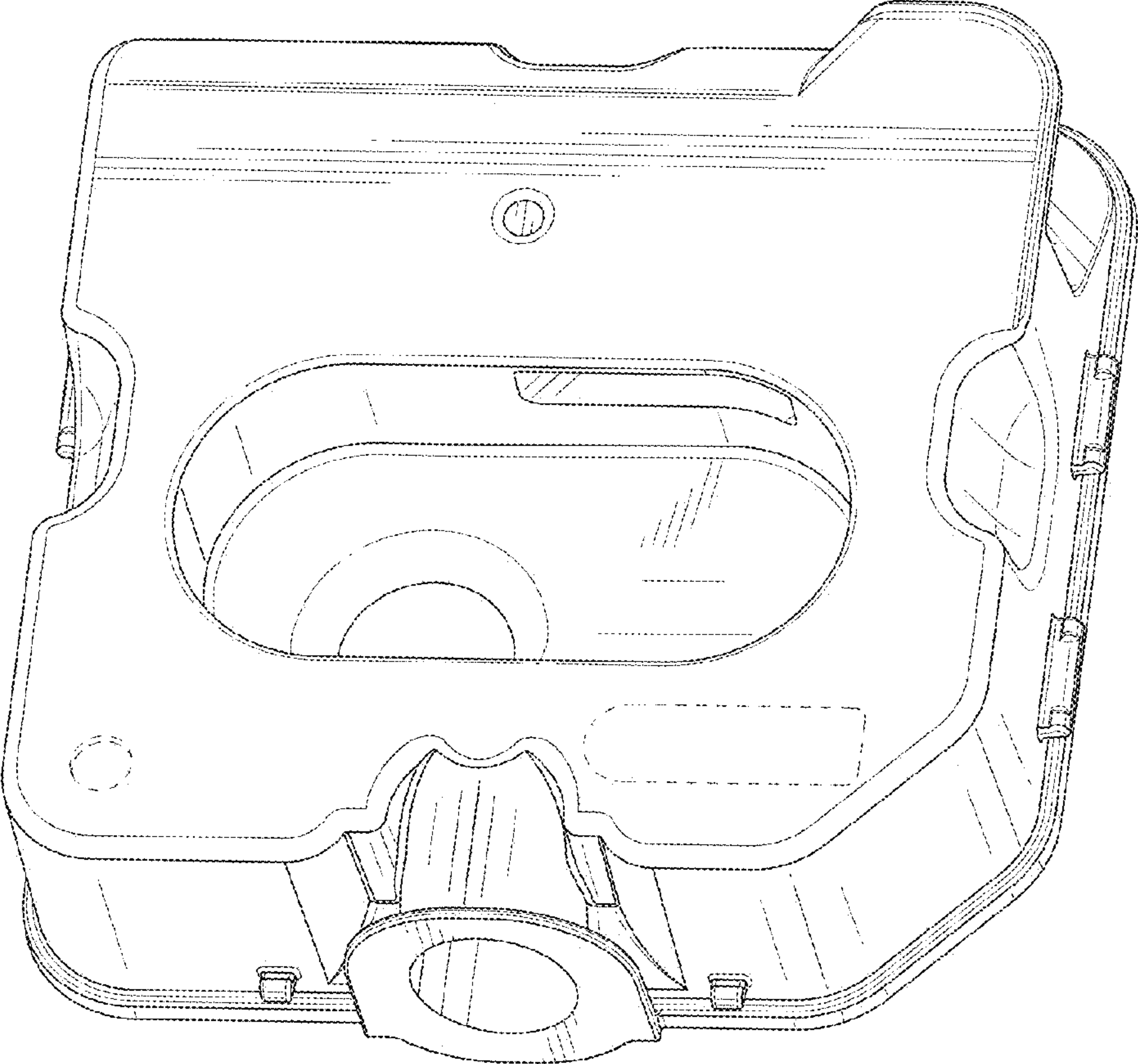


FIG. 8

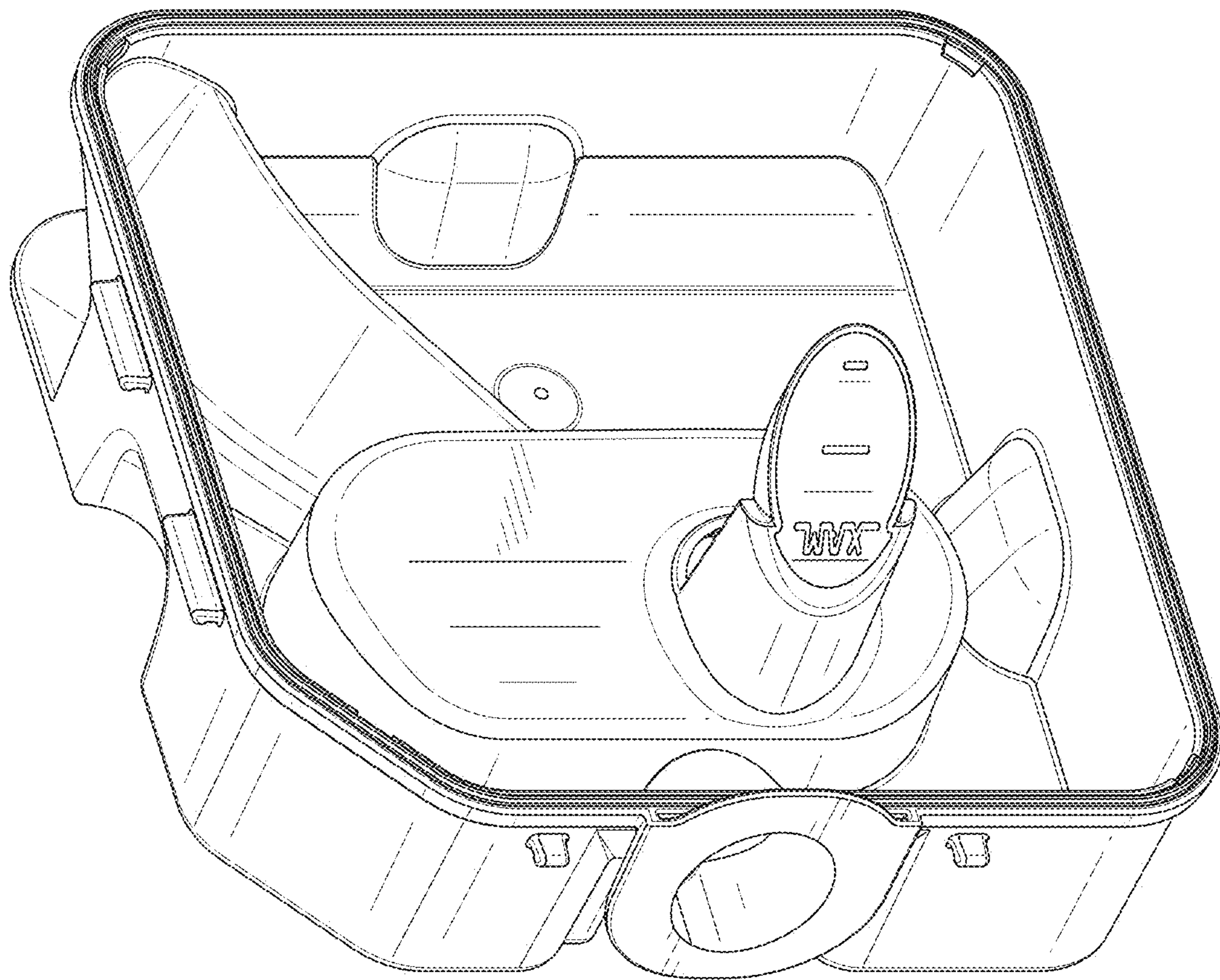


FIG. 9

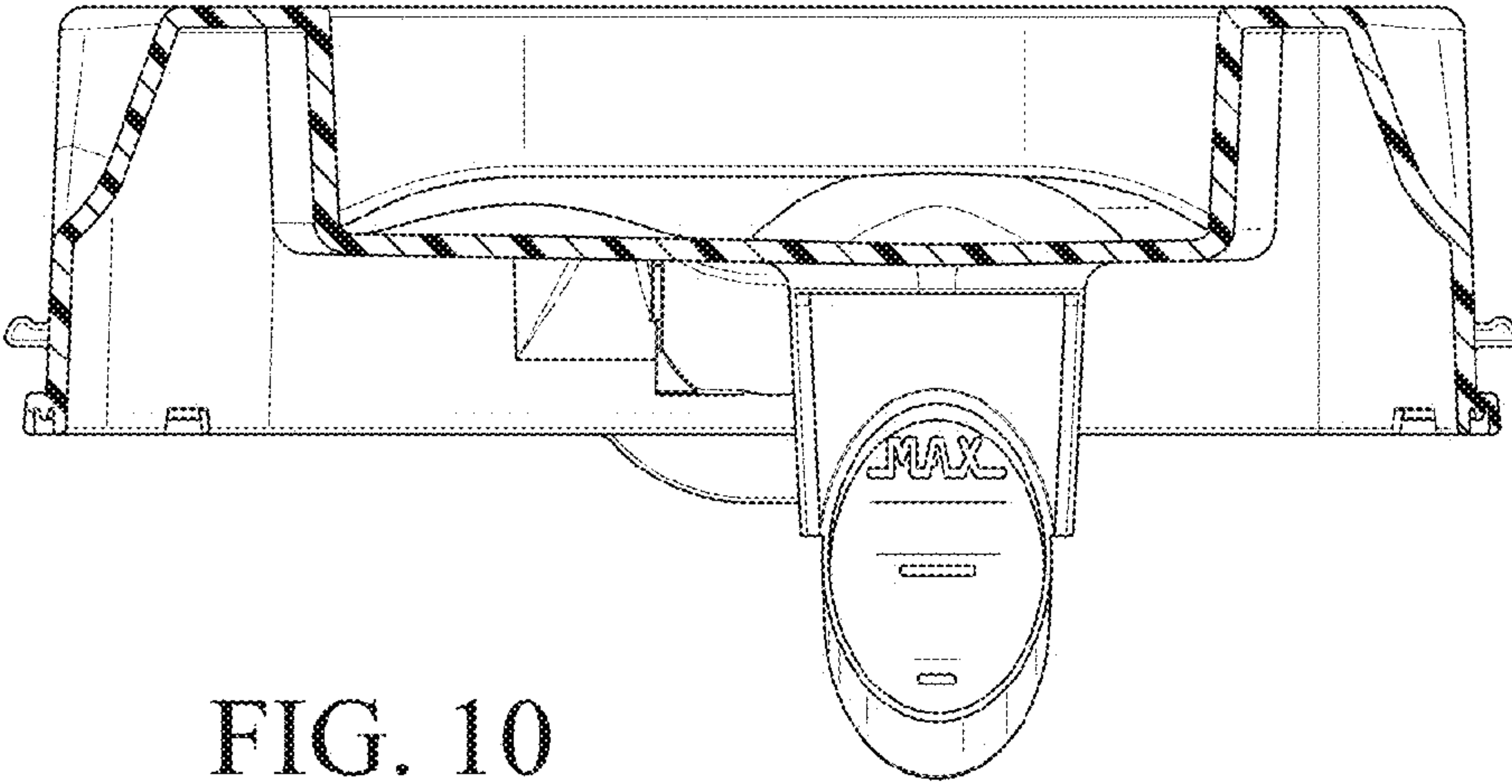


FIG. 10

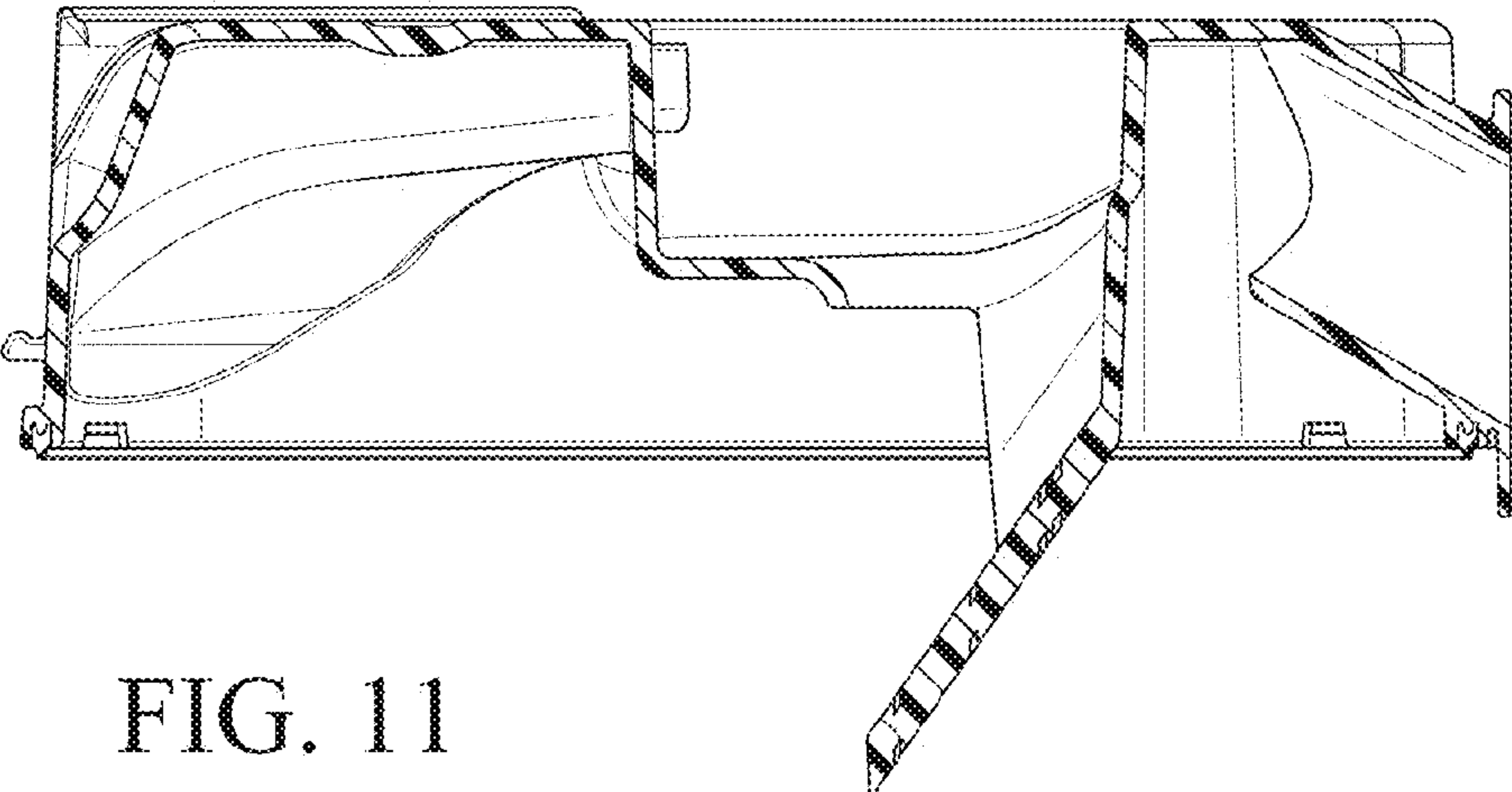


FIG. 11