



US00D696765S

(12) **United States Design Patent**
Spoerl et al.

(10) **Patent No.:** **US D696,765 S**

(45) **Date of Patent:** **** Dec. 31, 2013**

(54) **AIR MOVING APPARATUS**

(71) Applicant: **Humanscale Corporation**, New York, NY (US)

(72) Inventors: **Stefan Spoerl**, Munich (DE); **Lachezar Tsvetanov**, Brooklyn, NY (US)

(73) Assignee: **Humanscale Corporation**, New York, NY (US)

(**) Term: **14 Years**

(21) Appl. No.: **29/456,121**

(22) Filed: **May 29, 2013**

Related U.S. Application Data

(62) Division of application No. 29/430,309, filed on Aug. 23, 2012.

(51) **LOC (9) Cl.** **23-04**

(52) **U.S. Cl.**
USPC **D23/378**

(58) **Field of Classification Search**

USPC D23/381–383, 370–379, 385–388, 393, D23/394, 399, 411–414, 355, 356, D23/332–342; 454/237–253, 186, 228–236; 52/302.1; 417/423.1, 423.14; 415/182.1, 200, 90; 416/244 R, 246, 416/247 R; D6/309; D21/430, 436, 442, D21/447, 450, 453, 458

See application file for complete search history.

(56) **References Cited**

U.S. PATENT DOCUMENTS

D315,598 S * 3/1991 Yamamoto et al. D23/378
D322,669 S * 12/1991 Yamamoto et al. D23/378

D325,628 S *	4/1992	Cho	D23/370
D460,548 S *	7/2002	Melwani	D23/378
D477,661 S *	7/2003	Pinchuk	D23/378
D514,684 S *	2/2006	Lee	D23/370
D554,745 S *	11/2007	Urfig	D23/351
D577,808 S *	9/2008	Chang et al.	D23/382
D580,028 S *	11/2008	Catrino	D23/335
D593,662 S *	6/2009	Chen	D23/317
D603,036 S *	10/2009	Boswell	D23/378
D627,867 S *	11/2010	Haishan	D23/332
D672,866 S *	12/2012	Levano	D23/411
D683,006 S *	5/2013	Spiegel	D23/364
D685,078 S *	6/2013	Sidell	D23/378

* cited by examiner

Primary Examiner — Susan Bennett Hattan

Assistant Examiner — Janice Hallmark

(74) *Attorney, Agent, or Firm* — Jones Walker LLP

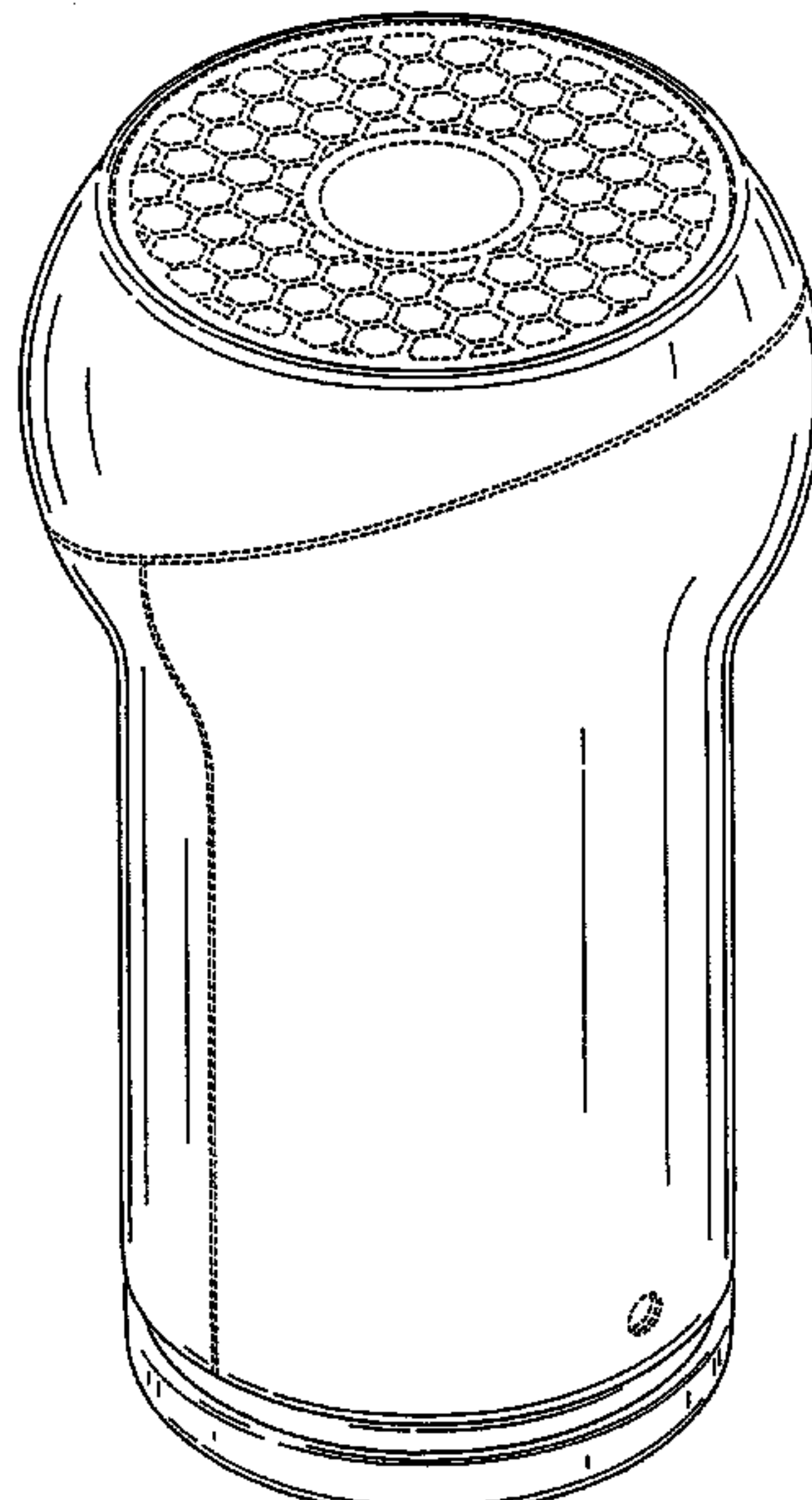
(57) **CLAIM**

We claim the ornamental design for an air moving apparatus, as shown and described.

DESCRIPTION

FIG. 1 is a perspective view of an air moving apparatus according to the present invention; FIG. 2 is a right side view of the air moving apparatus of FIG. 1; FIG. 3 is a left side view of the air moving apparatus of FIG. 1; FIG. 4 is a front view of the air moving apparatus of FIG. 1; FIG. 5 is a rear view of the air moving apparatus of FIG. 1; FIG. 6 is a top view of the air moving apparatus of FIG. 1; and, FIG. 7 is a bottom view of the air moving apparatus of FIG. 1. The broken lines shown in the drawings illustrate environmental structure and form no part of the claimed design.

1 Claim, 7 Drawing Sheets



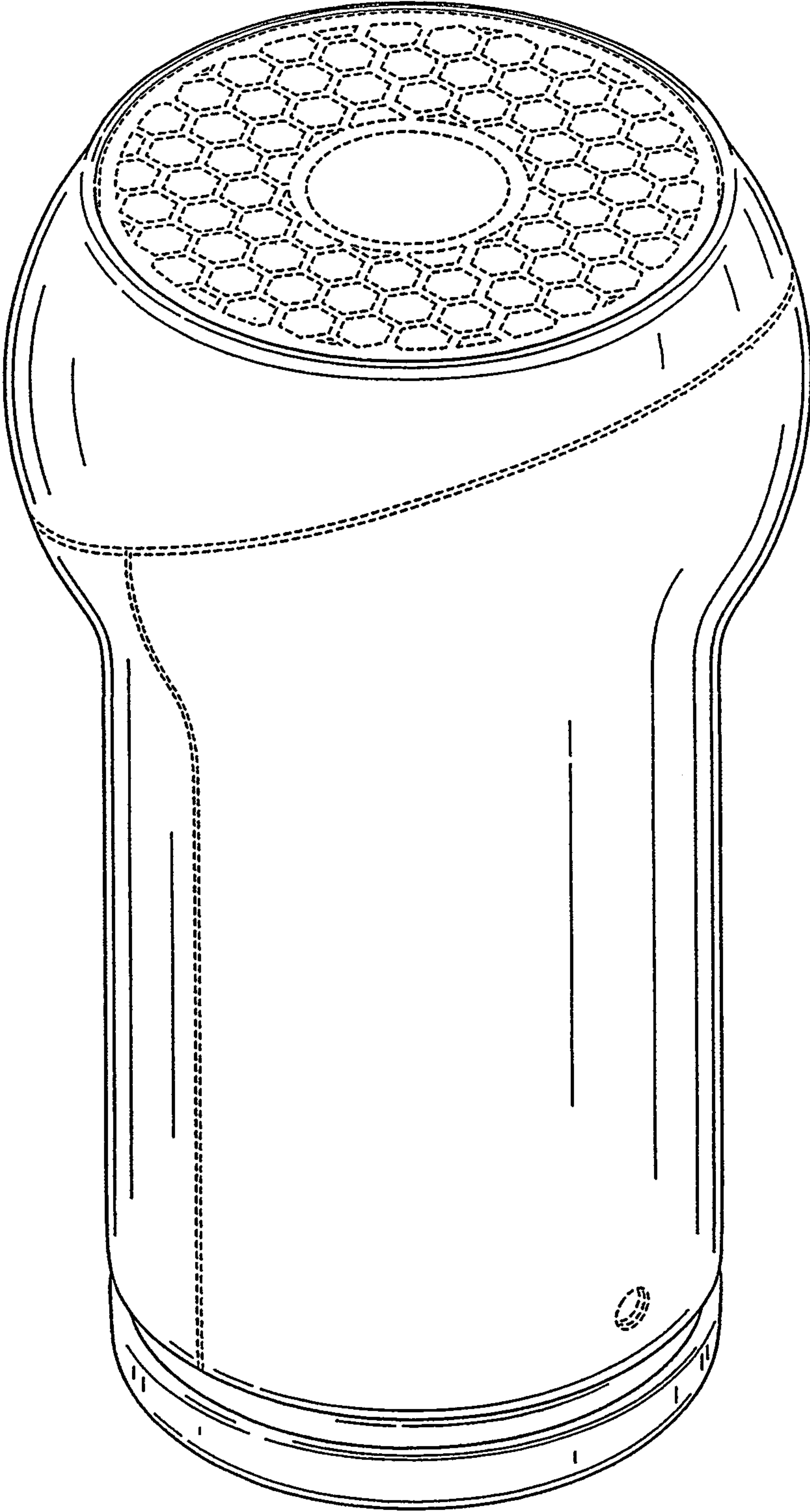


FIG. 1

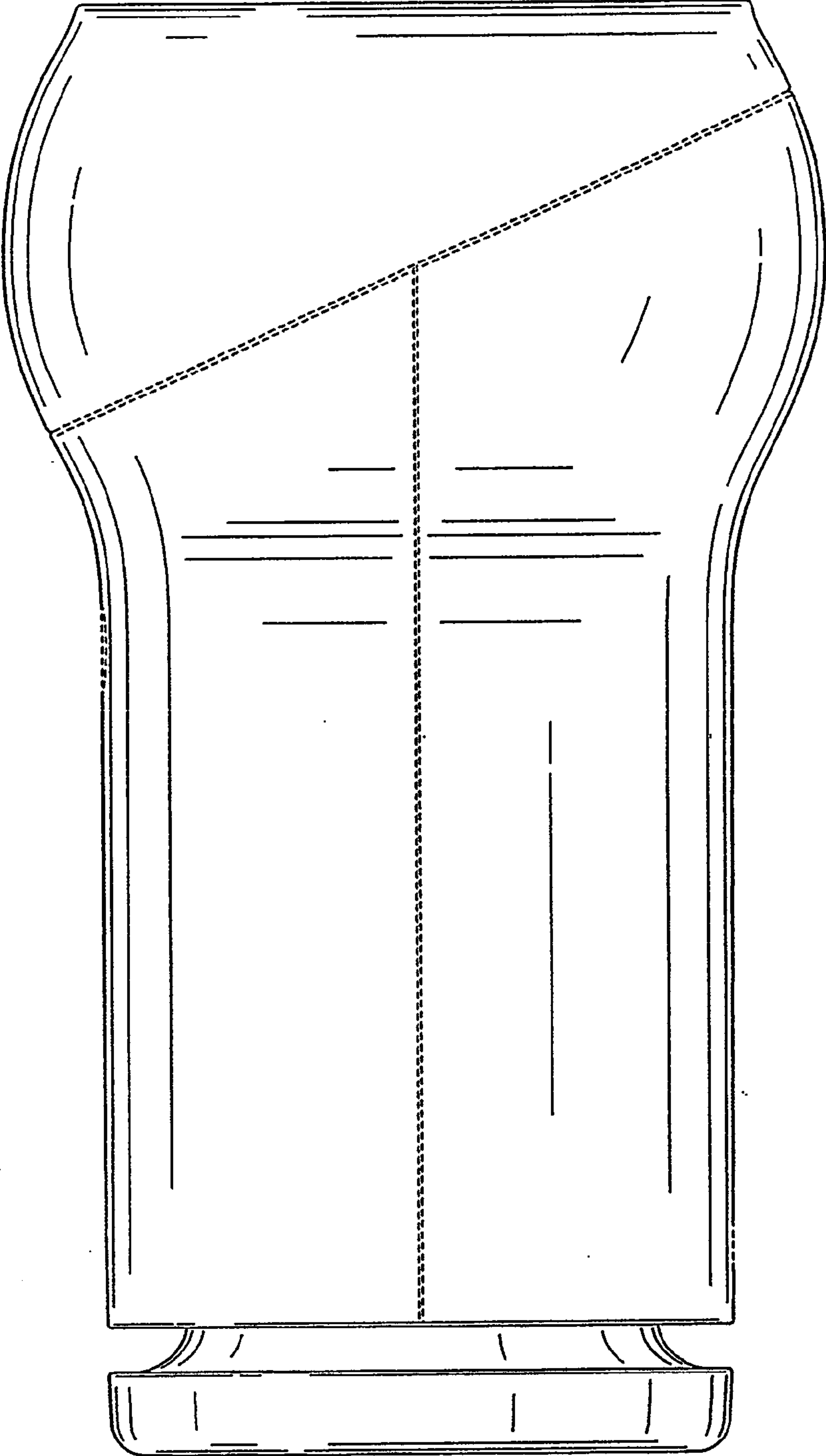


FIG. 2

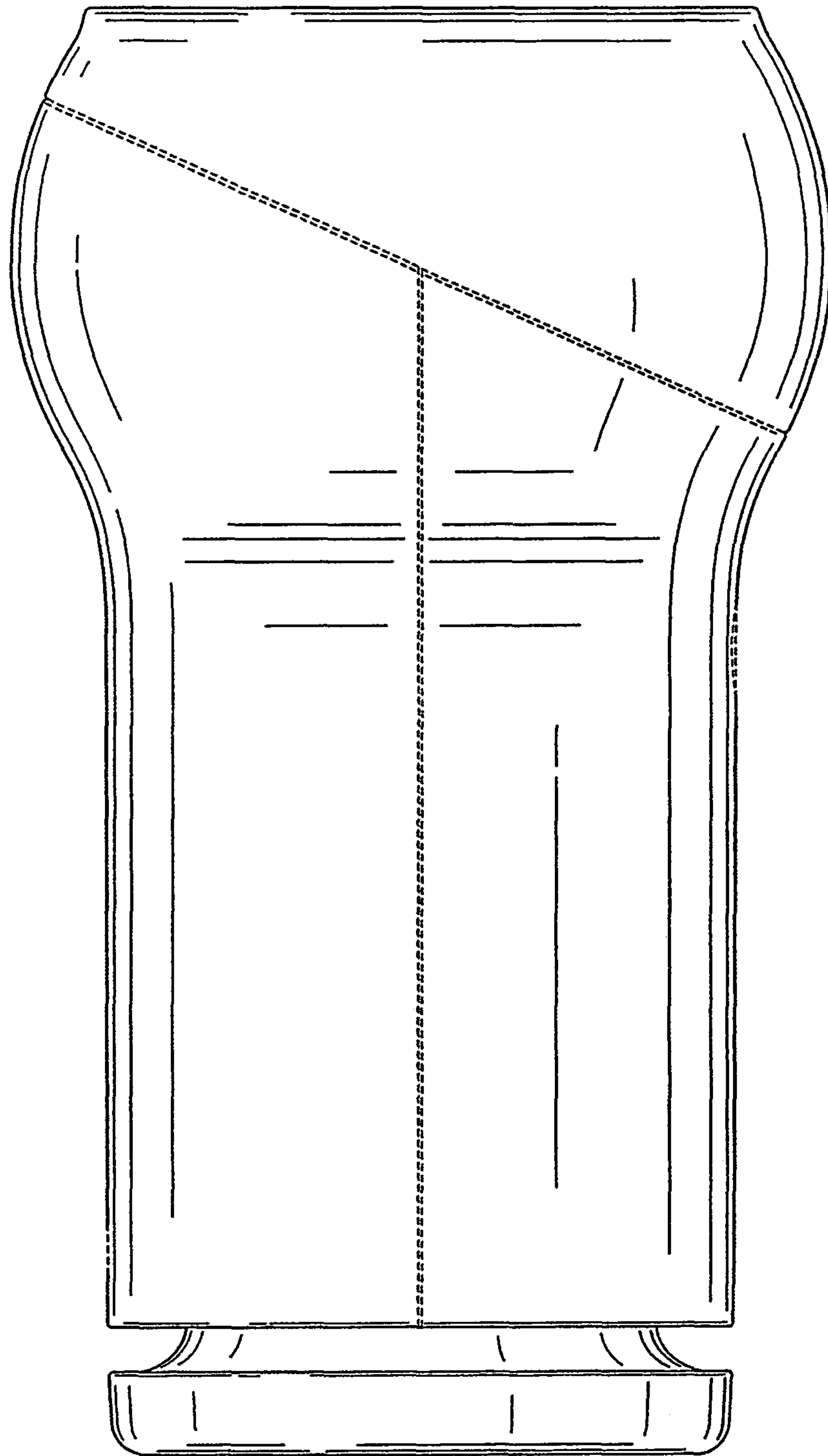


FIG. 3

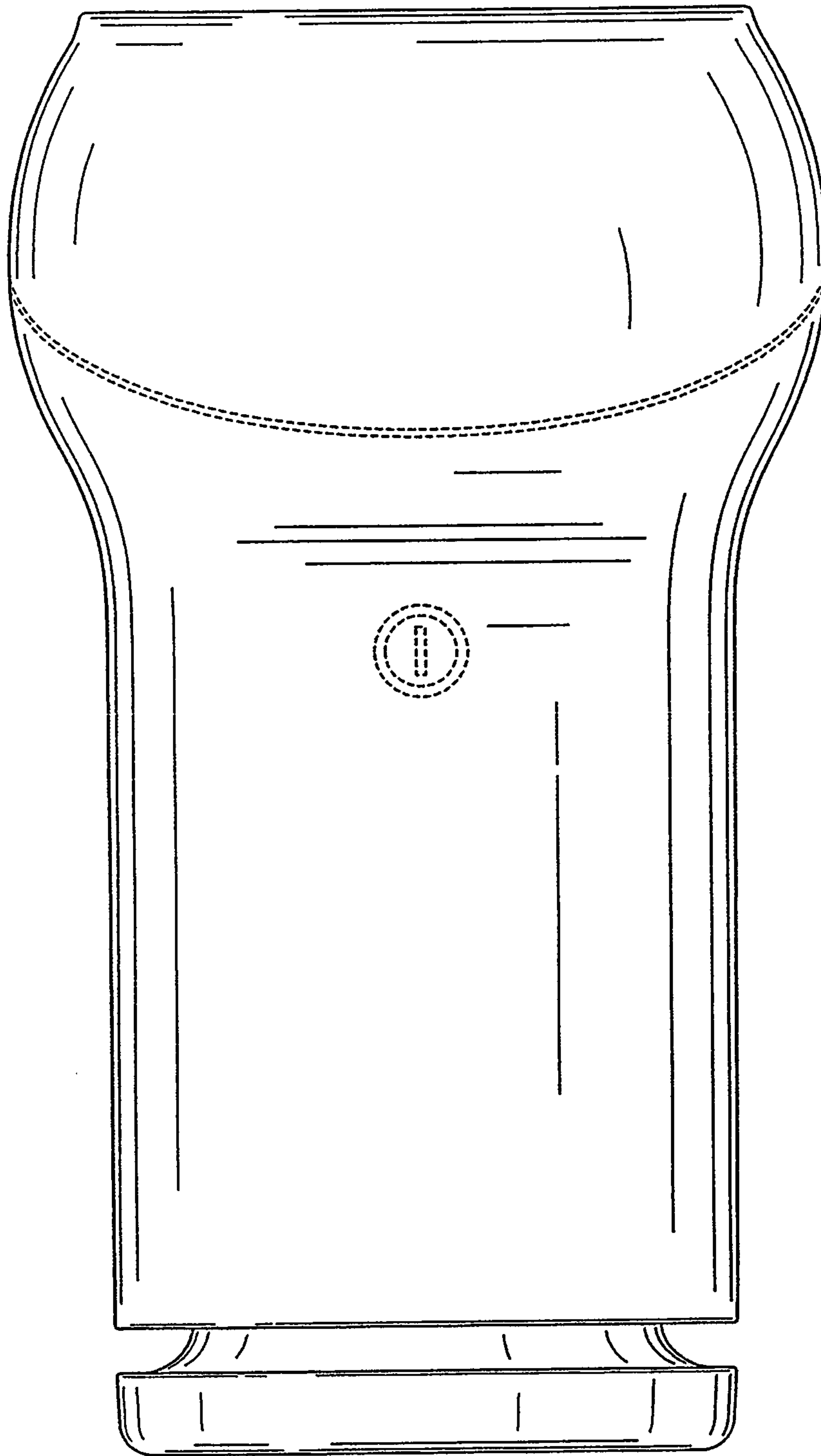


FIG. 4

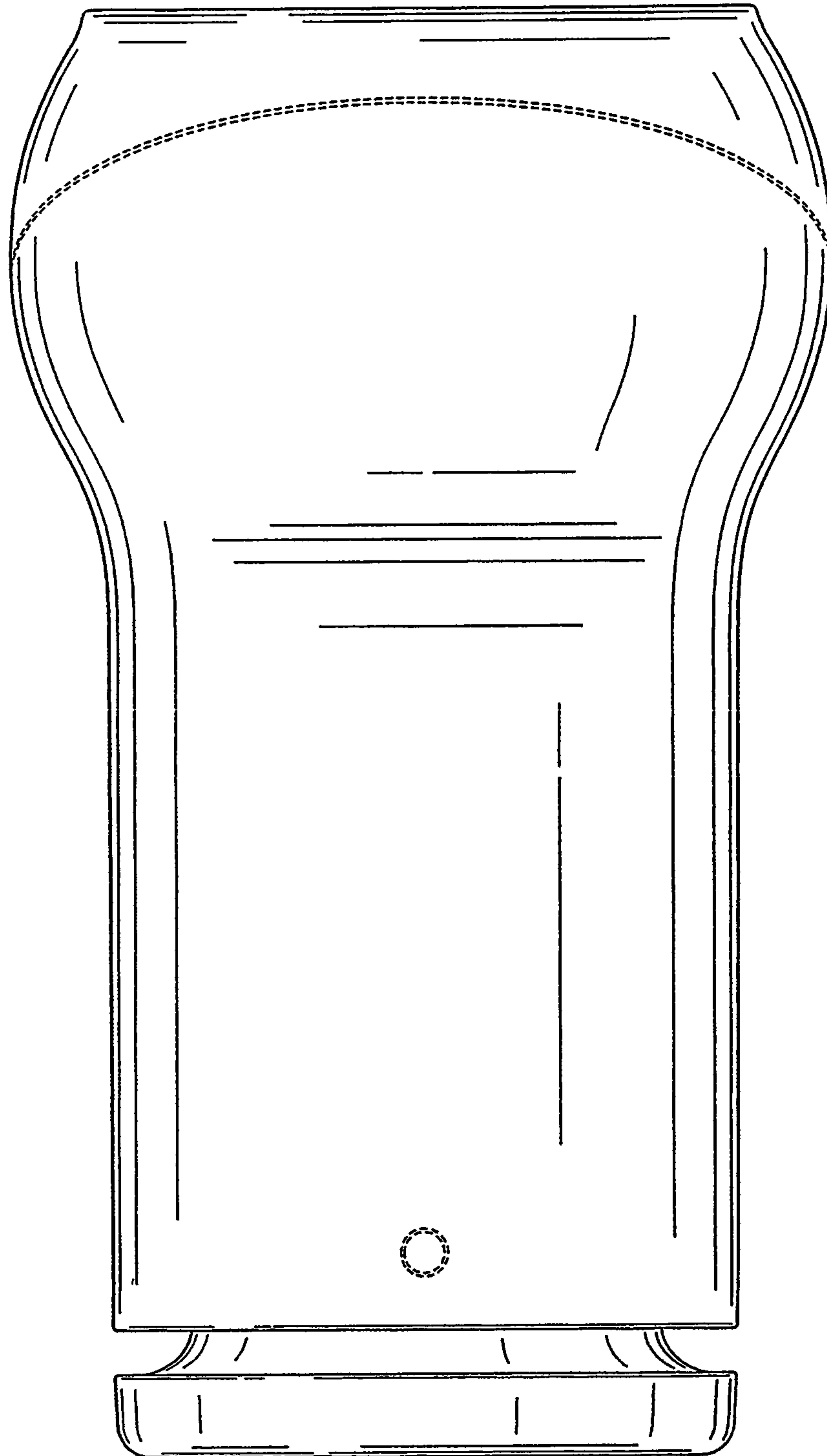


FIG. 5

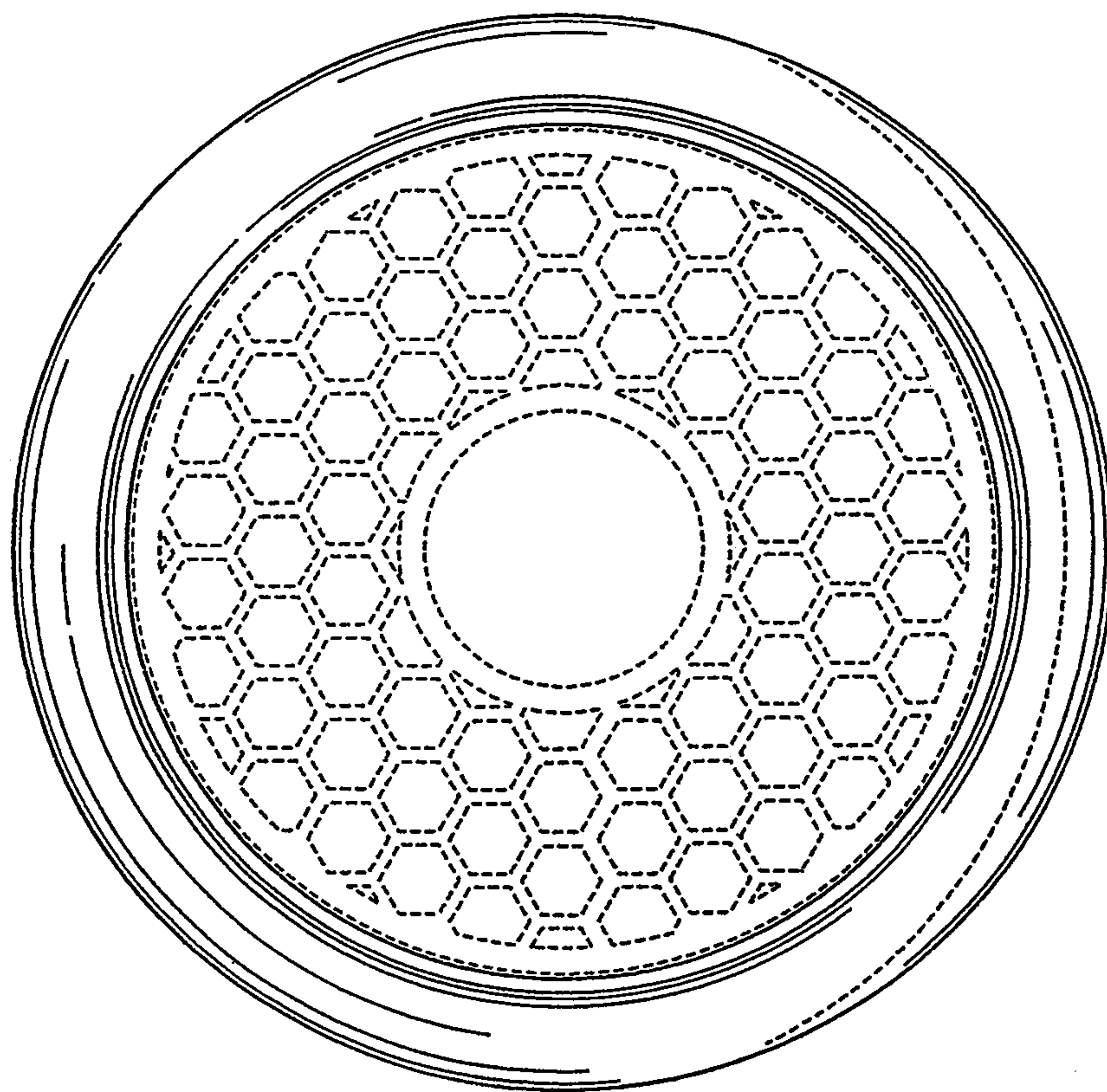


FIG. 6

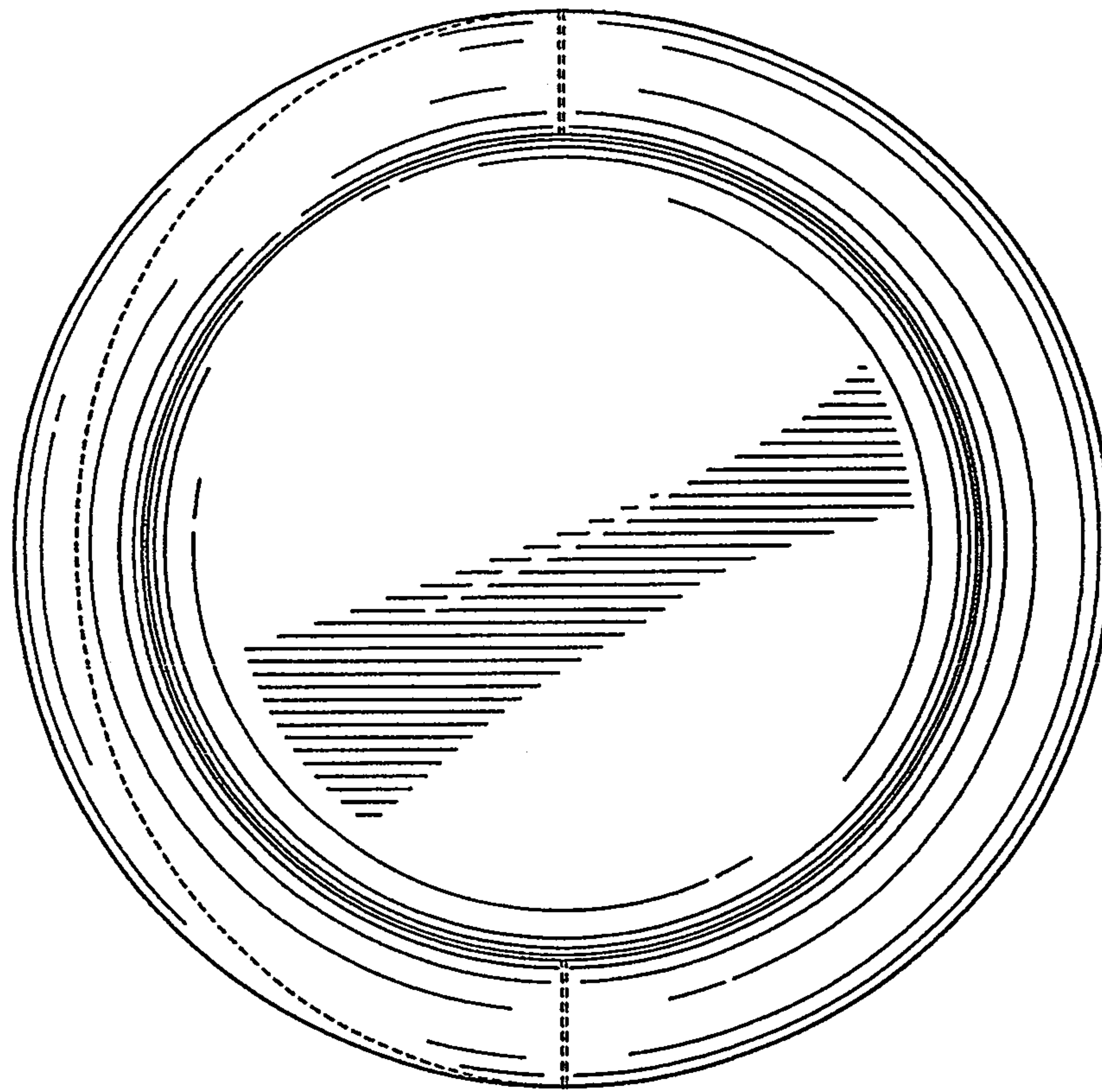


FIG. 7