

US00D696763S

(12) **United States Design Patent**  
**Li**

(10) **Patent No.:** **US D696,763 S**

(45) **Date of Patent:** **\*\* Dec. 31, 2013**

(54) **AROMA DIFFUSER**

(71) Applicant: **Puzhen Life Co., Limited**, Hong Kong (HK)

(72) Inventor: **DongSheng Li**, Hong Kong (HK)

(73) Assignee: **Puzhen Life Co., Limited**, Hong Kong (HK)

(\*\*) Term: **14 Years**

(21) Appl. No.: **29/461,969**

(22) Filed: **Jul. 30, 2013**

(30) **Foreign Application Priority Data**

Feb. 15, 2013 (HK) ..... 1300244.1

(51) **LOC (9) Cl.** ..... **28-99**

(52) **U.S. Cl.**  
USPC ..... **D23/366**

(58) **Field of Classification Search**

USPC ..... D23/355-369; D28/5, 6; 261/DIG. 17, 261/DIG. 42, DIG. 65, DIG. 88, DIG. 89; 392/386, 390, 394, 395; 239/34, 44, 239/53, 55, 56, 326; D26/14, 17, 98, 9, 22, D26/24; D11/131.1; D7/509, 522, 524, 537  
See application file for complete search history.

(56) **References Cited**

**U.S. PATENT DOCUMENTS**

1,351,263 A \* 8/1920 Scherf ..... 239/59  
D89,900 S \* 5/1933 Lippert ..... D22/122  
D319,781 S \* 9/1991 Halm et al. .... D32/29.1

D384,451 S \* 9/1997 Leu ..... D32/29.1  
D392,032 S \* 3/1998 Zaragoza et al. .... D23/369  
D454,190 S \* 3/2002 Trocola ..... D23/366  
6,435,694 B1 \* 8/2002 Bell et al. .... 362/161  
D509,893 S \* 9/2005 Sevy ..... D23/366  
D535,376 S \* 1/2007 Michaels et al. .... D23/366  
D536,081 S \* 1/2007 Steinel ..... D23/366  
D544,084 S \* 6/2007 Michaels et al. .... D23/366  
D611,587 S \* 3/2010 Dineen ..... D23/366  
D611,588 S \* 3/2010 Jorgensen ..... D23/366  
D614,277 S \* 4/2010 Hsiao ..... D23/366  
D621,494 S \* 8/2010 Li ..... D23/366  
D621,495 S \* 8/2010 Li ..... D23/366  
D622,835 S \* 8/2010 Mendheim ..... D23/364  
D662,581 S \* 6/2012 Savegnago ..... D23/366  
D681,791 S \* 5/2013 Jorgensen ..... D23/366

\* cited by examiner

*Primary Examiner* — Sandra Snapp

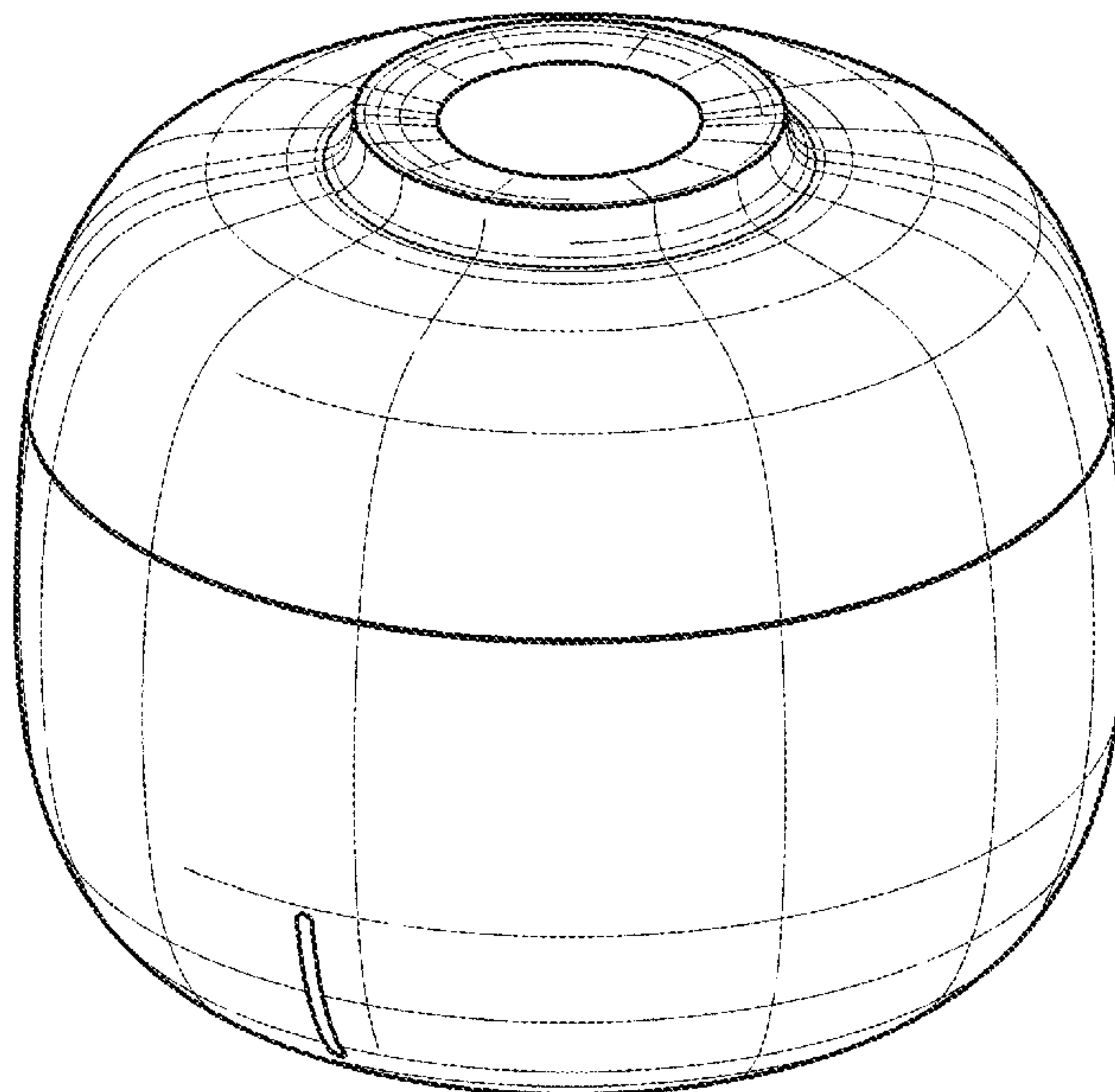
(57) **CLAIM**

The ornamental design for an aroma diffuser, as shown and described.

**DESCRIPTION**

FIG. 1 is a front perspective view of an aroma diffuser showing my new design;  
FIG. 2 is a front view thereof;  
FIG. 3 is a rear view thereof;  
FIG. 4 is a left side view thereof;  
FIG. 5 is a right side view thereof;  
FIG. 6 is a top plan view thereof; and,  
FIG. 7 is a bottom plan view thereof.  
The broken lines shown in the drawings are for illustrative purposes only and form no part of the claimed design.

**1 Claim, 5 Drawing Sheets**



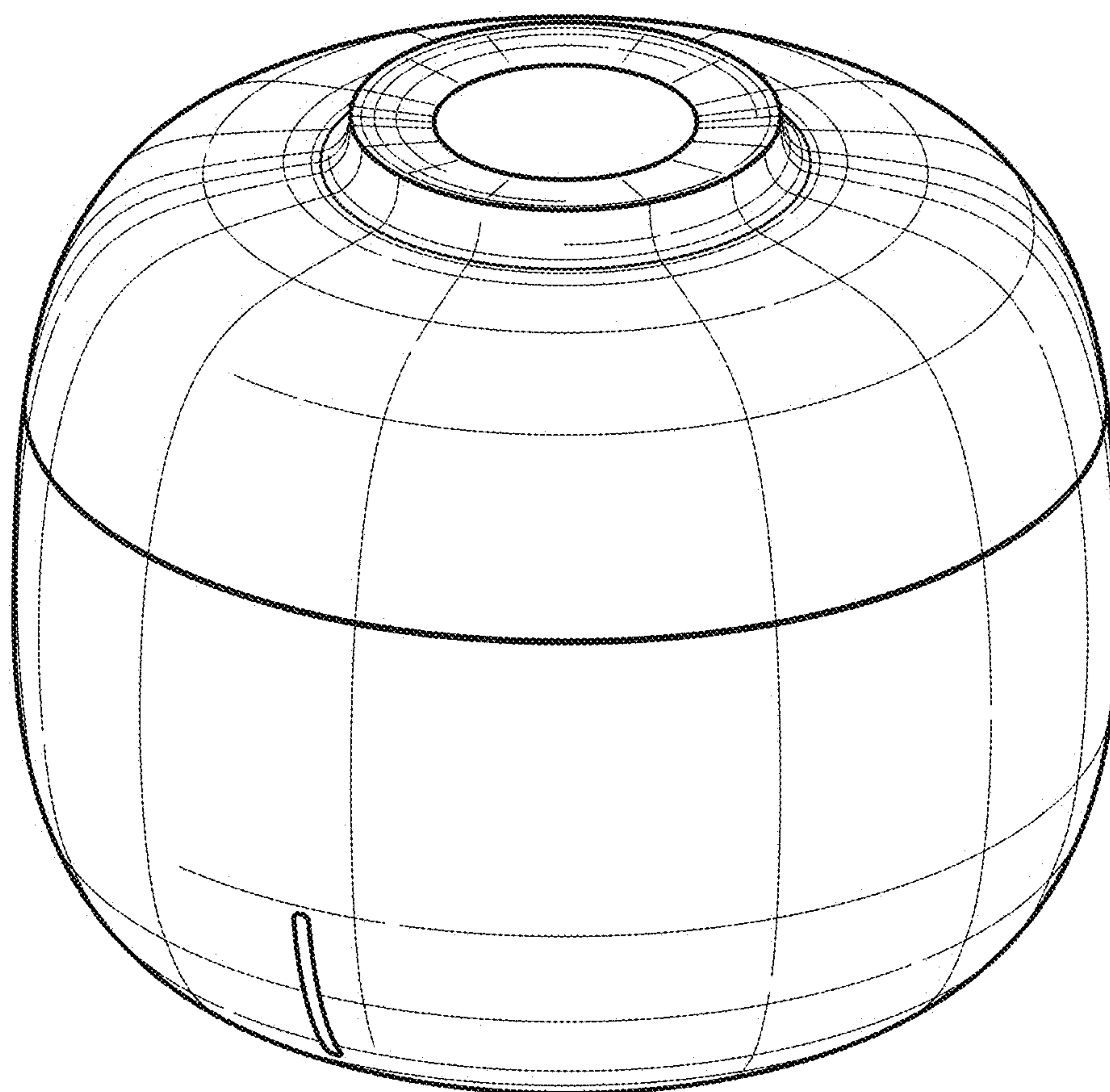


FIG. 1

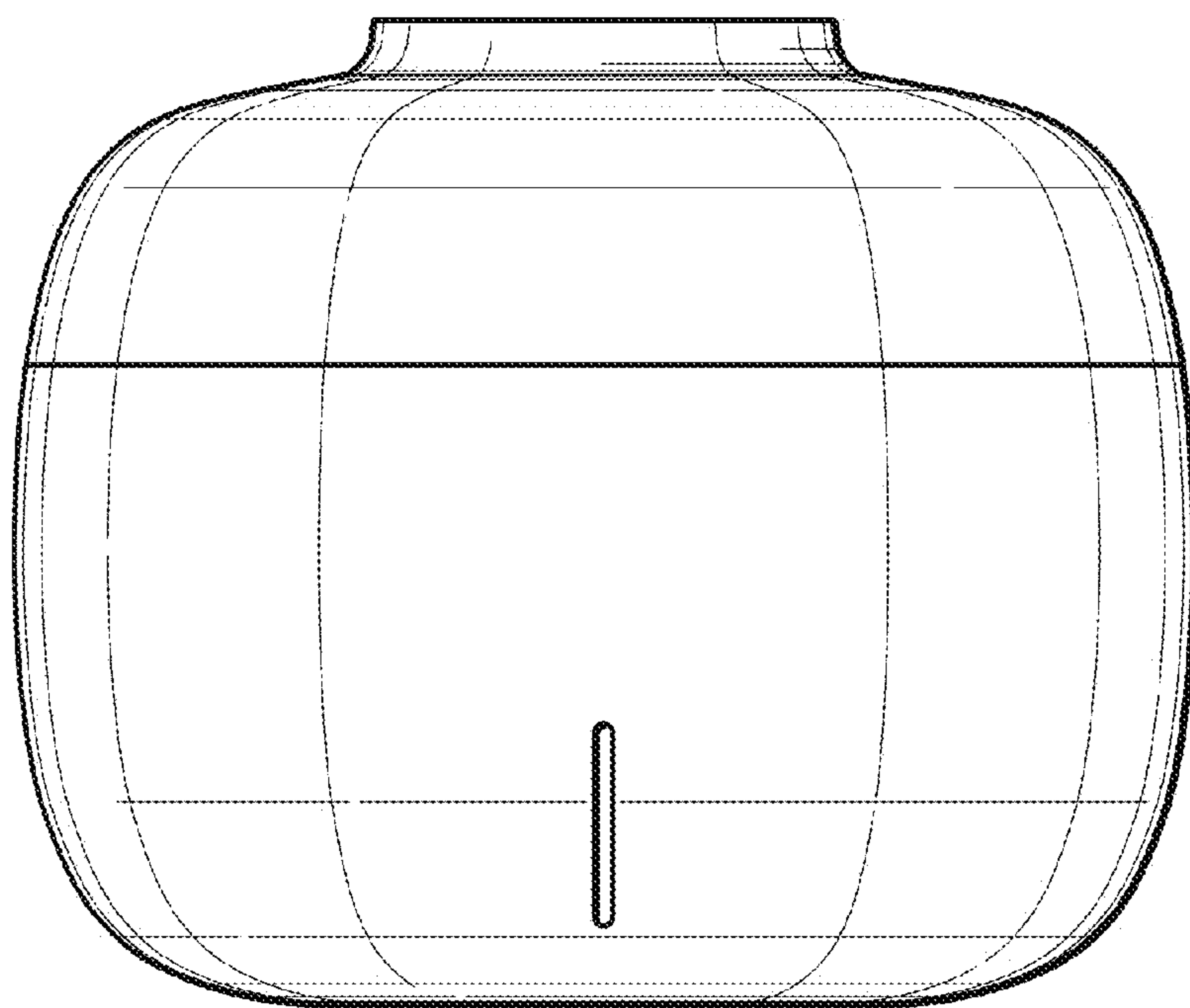


FIG. 2

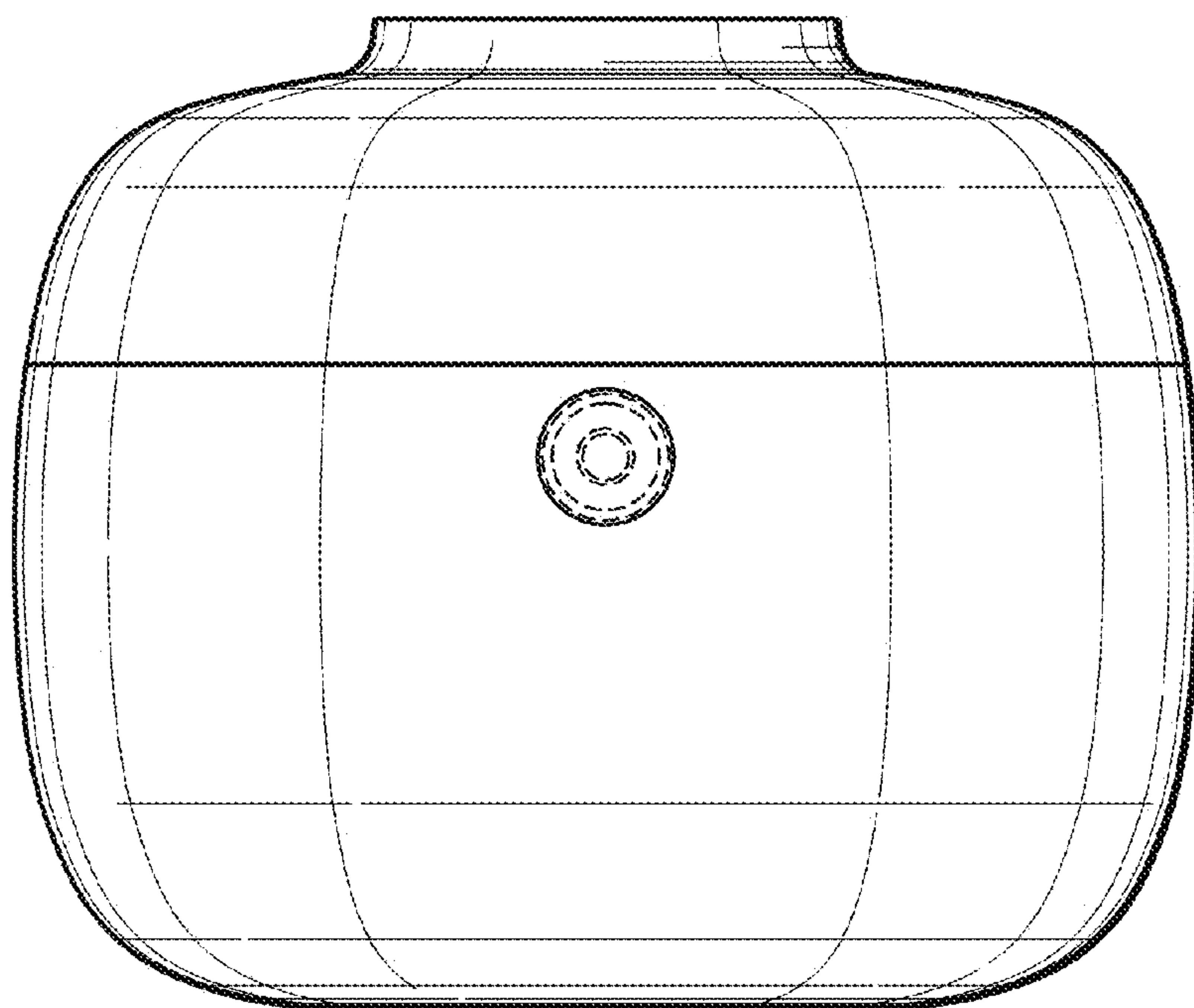


FIG. 3

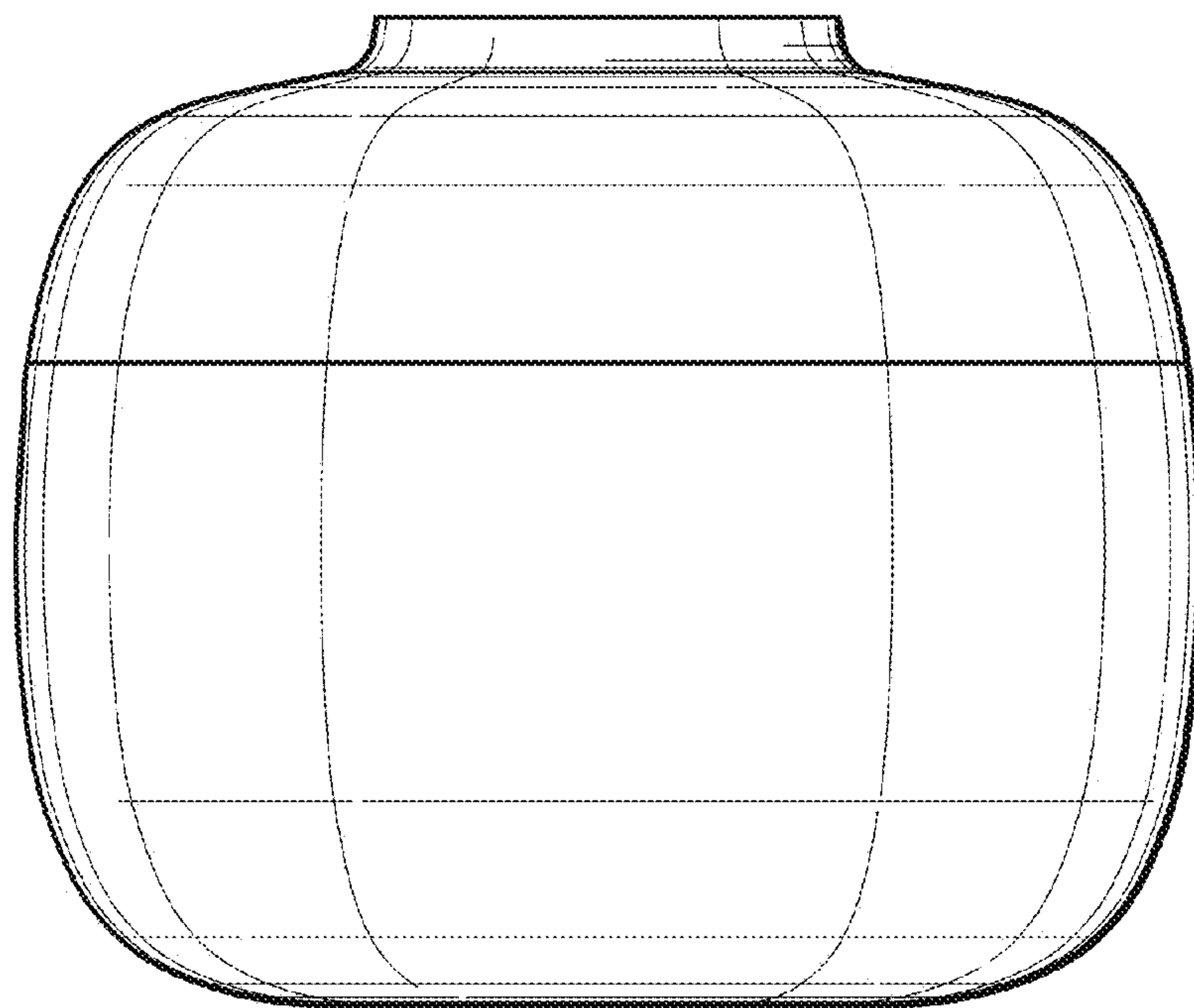


FIG. 4

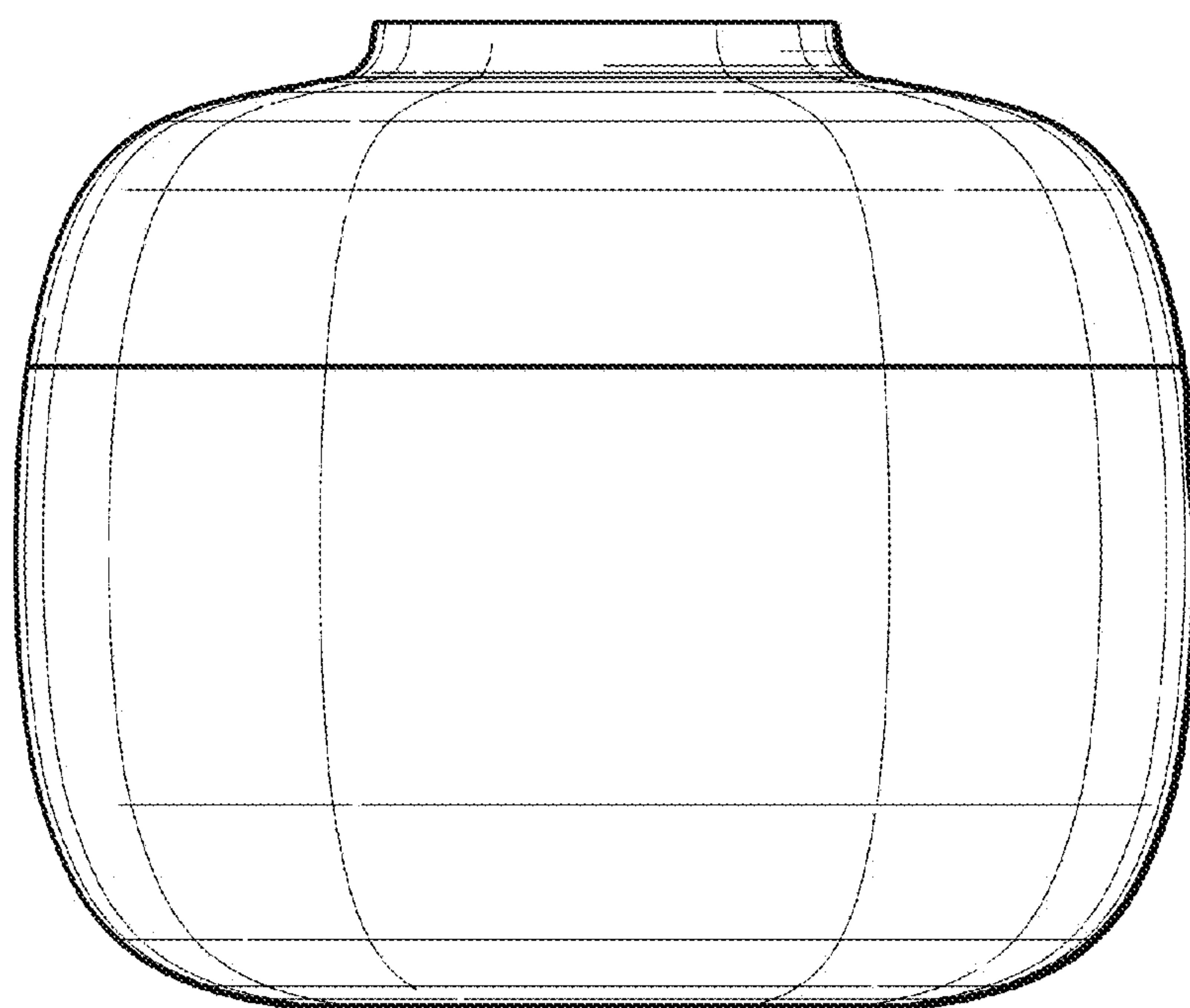


FIG. 5



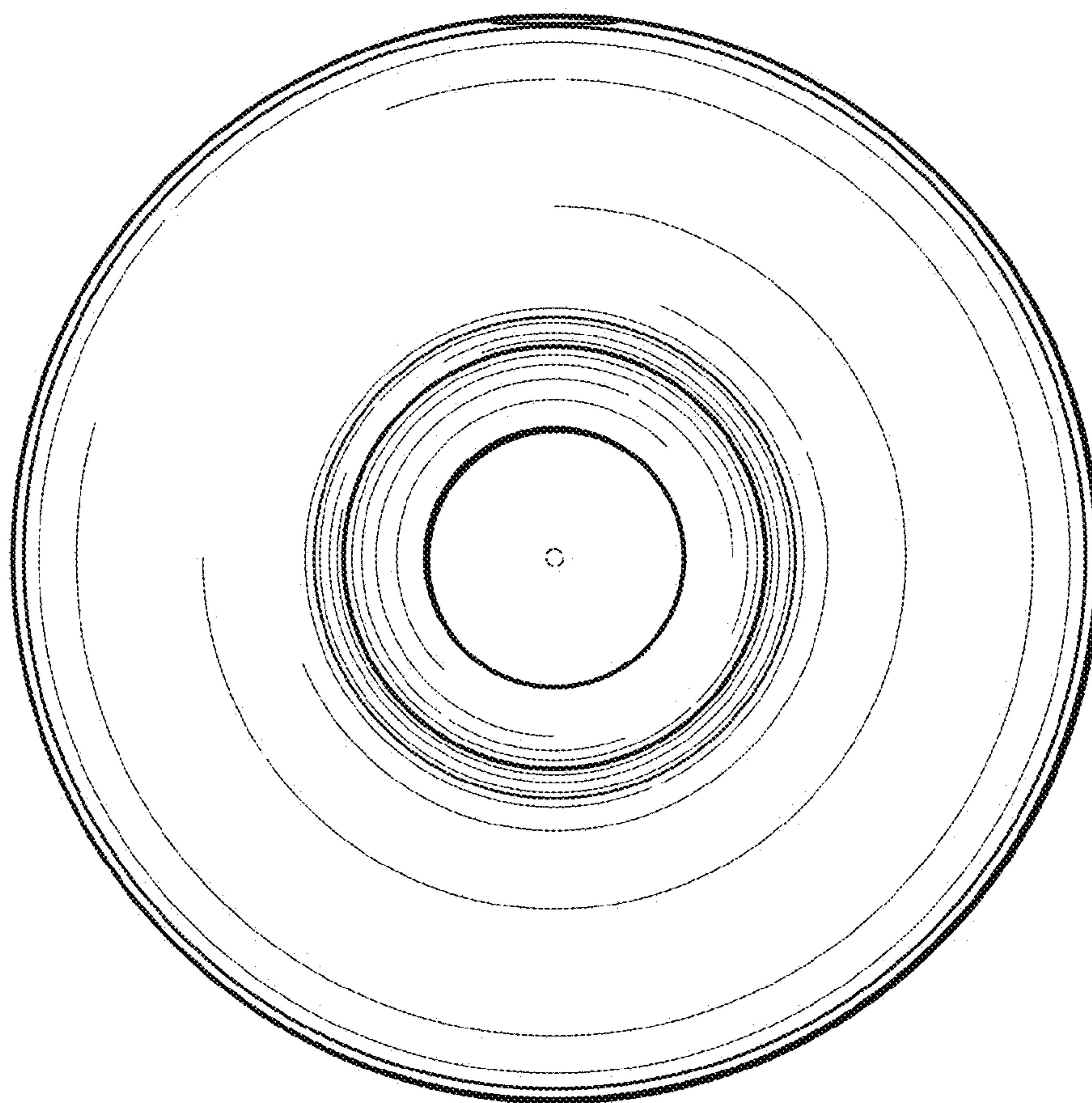


FIG. 6

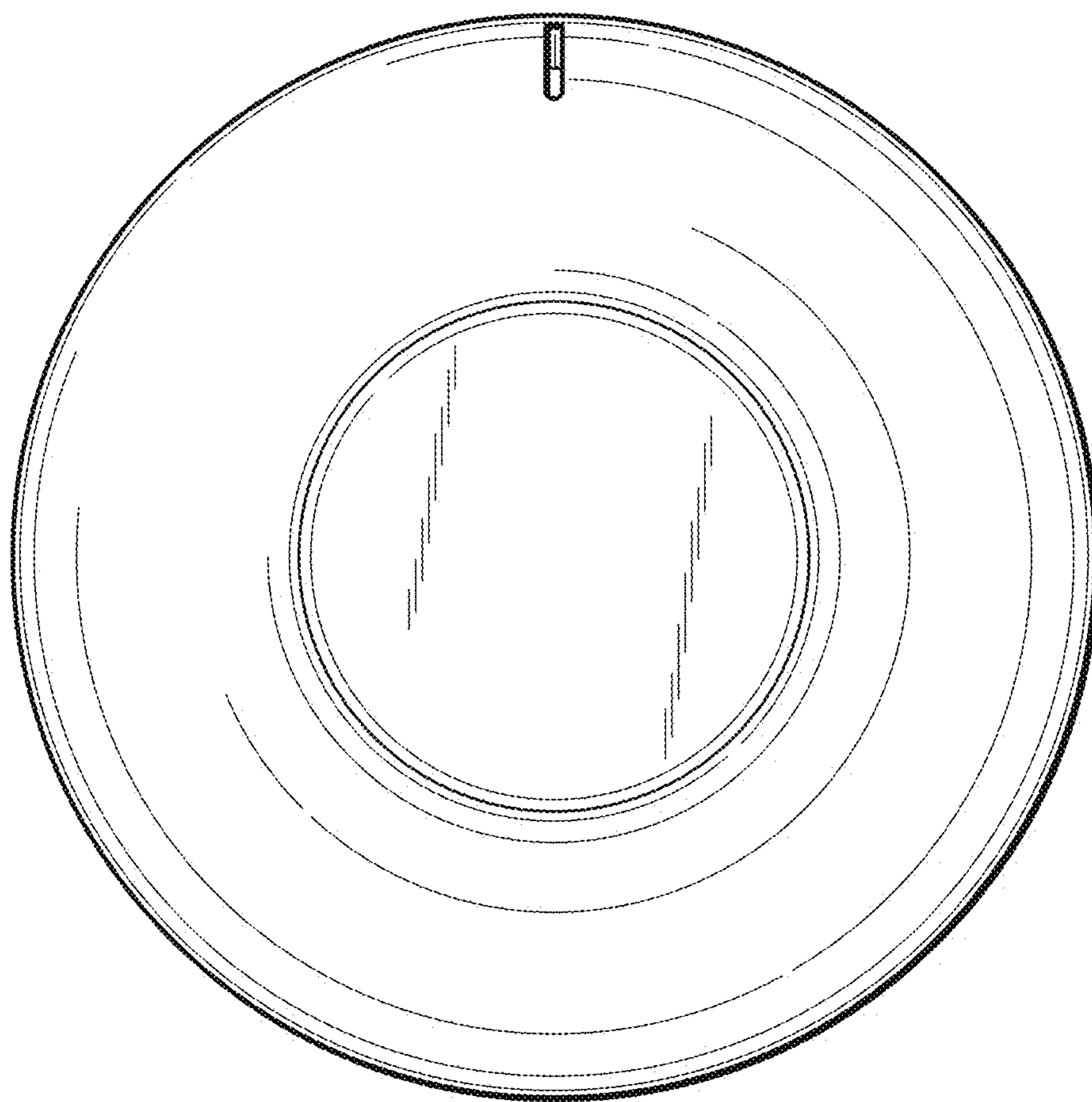


FIG. 7