



US00D696760S

(12) **United States Design Patent**
Wolf, II et al.

(10) **Patent No.:** **US D696,760 S**

(45) **Date of Patent:** **** Dec. 31, 2013**

(54) **AEROSOL GENERATOR**

(71) Applicants: **John D. Wolf, II**, Edwardsburg, MI (US); **Jonanthan J. Ricciardi**, West Richland, WA (US); **Carl L. Ricciardi**, Tomahawk, WI (US)

(72) Inventors: **John D. Wolf, II**, Edwardsburg, MI (US); **Jonanthan J. Ricciardi**, West Richland, WA (US); **Carl L. Ricciardi**, Tomahawk, WI (US)

(**) Term: **14 Years**

(21) Appl. No.: **29/436,788**

(22) Filed: **Nov. 9, 2012**

(51) **LOC (9) Cl.** **23-04**

(52) **U.S. Cl.**
USPC **D23/364**

(58) **Field of Classification Search**
USPC D23/355-366, 352, 369, 332, 333, 335, D23/336, 342, 351; 422/120, 122; 55/356, 55/473, 504; 96/97; D14/188, 170, 172; 261/DIG. 17, DIG. 65, DIG. 88, DIG. 31; D18/34.6; 239/102

See application file for complete search history.

(56) **References Cited**

U.S. PATENT DOCUMENTS

D304,854 S *	11/1989	Stackhouse et al.	D23/365
D311,270 S *	10/1990	Savage et al.	D23/365
D312,304 S *	11/1990	Sexton	D23/364
D314,425 S *	2/1991	Beavers et al.	D23/335
D315,596 S *	3/1991	Botheras et al.	D23/332

D316,142 S *	4/1991	Lutterbach et al.	D23/364
D316,447 S *	4/1991	Woodson et al.	D23/365
D325,252 S *	4/1992	Morris et al.	D23/364
D453,822 S *	2/2002	Meeks et al.	D23/356
D595,823 S *	7/2009	Parr	D23/360
7,988,909 B1 *	8/2011	Ruan	422/120
D657,037 S *	4/2012	Lo	D23/364
8,486,172 B2 *	7/2013	Haynam et al.	55/356

* cited by examiner

Primary Examiner — David Muller

(74) *Attorney, Agent, or Firm* — Donald J. Ersler

(57) **CLAIM**

The ornamental design for an aerosol generator, as shown and described.

DESCRIPTION

FIG. 1 is a front perspective view of an aerosol generator incorporating our new design;

FIG. 2 is a rear perspective view of an aerosol generator;

FIG. 3 is a front bottom perspective view of an aerosol generator;

FIG. 4 is a rear bottom perspective view of an aerosol generator;

FIG. 5 is an enlarged top plan view of an aerosol generator;

FIG. 6 is an enlarged bottom plan view of an aerosol generator;

FIG. 7 is an enlarged right side view of an aerosol generator;

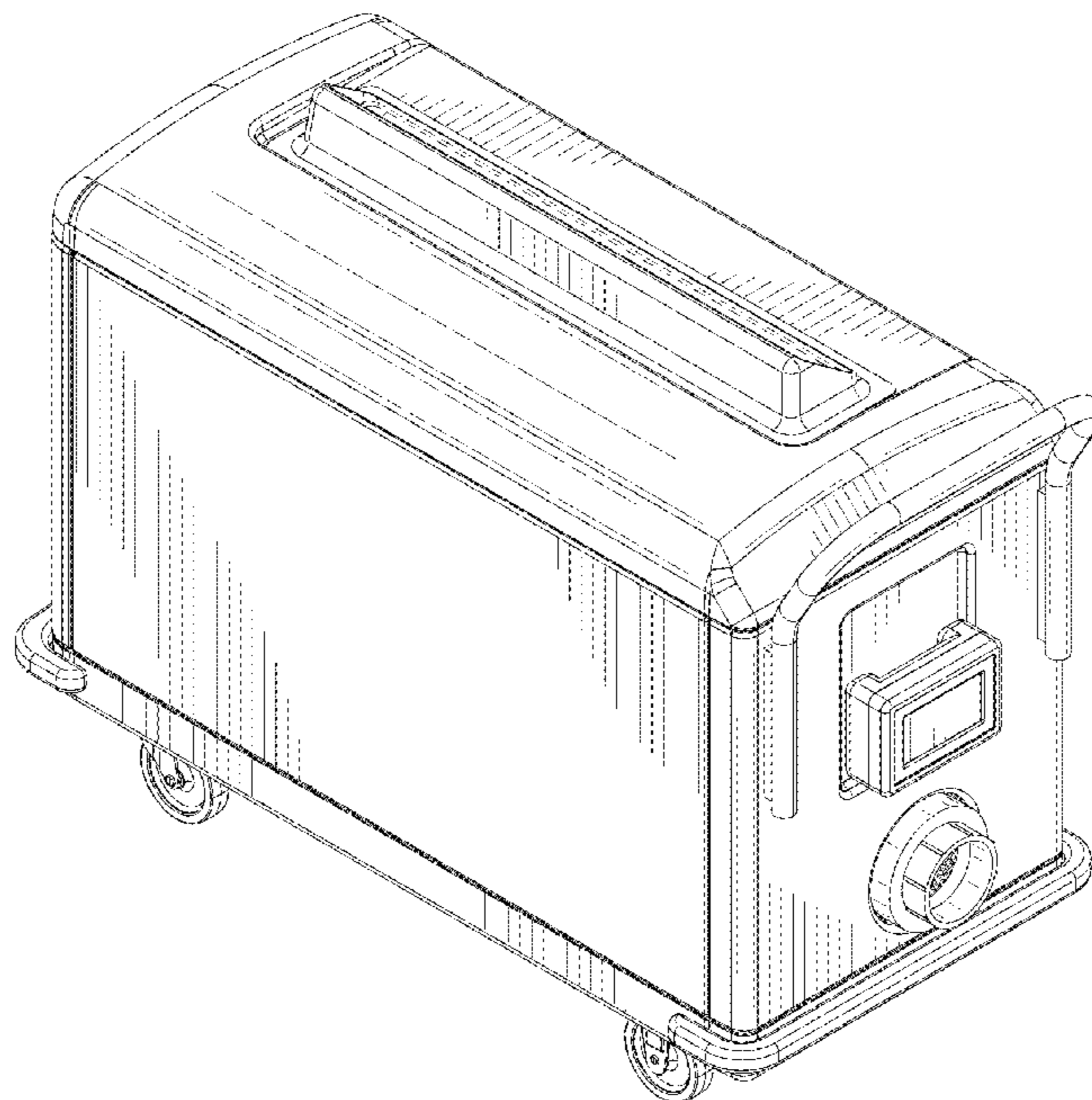
FIG. 8 is an enlarged left side view of an aerosol generator;

FIG. 9 is an enlarged rear view of an aerosol generator; and,

FIG. 10 is an enlarged front view of an aerosol generator.

The broken line showing of parts of the drawings is included for the purpose of illustrating use and environment and forms no part of the claimed design.

1 Claim, 9 Drawing Sheets



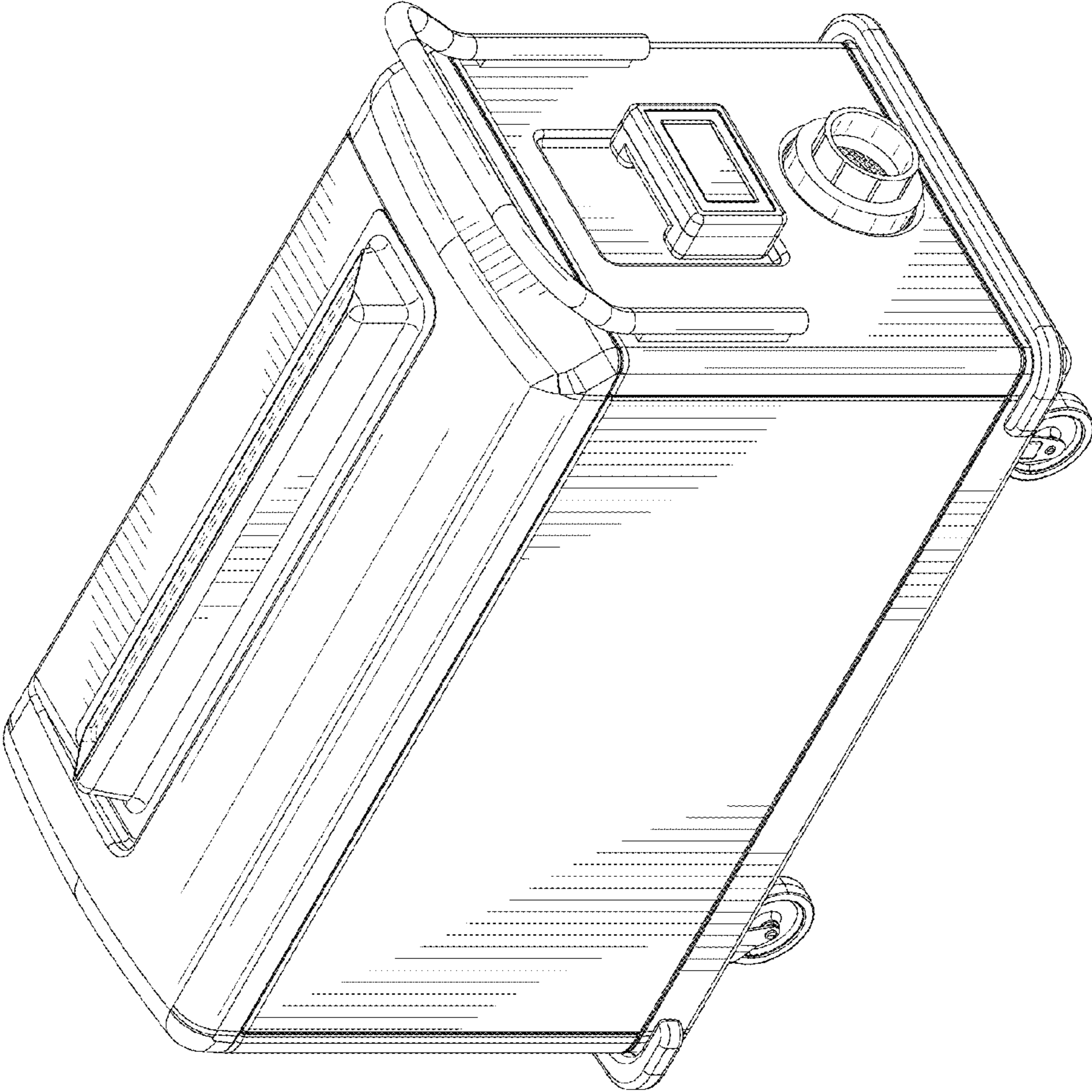


FIG. 1

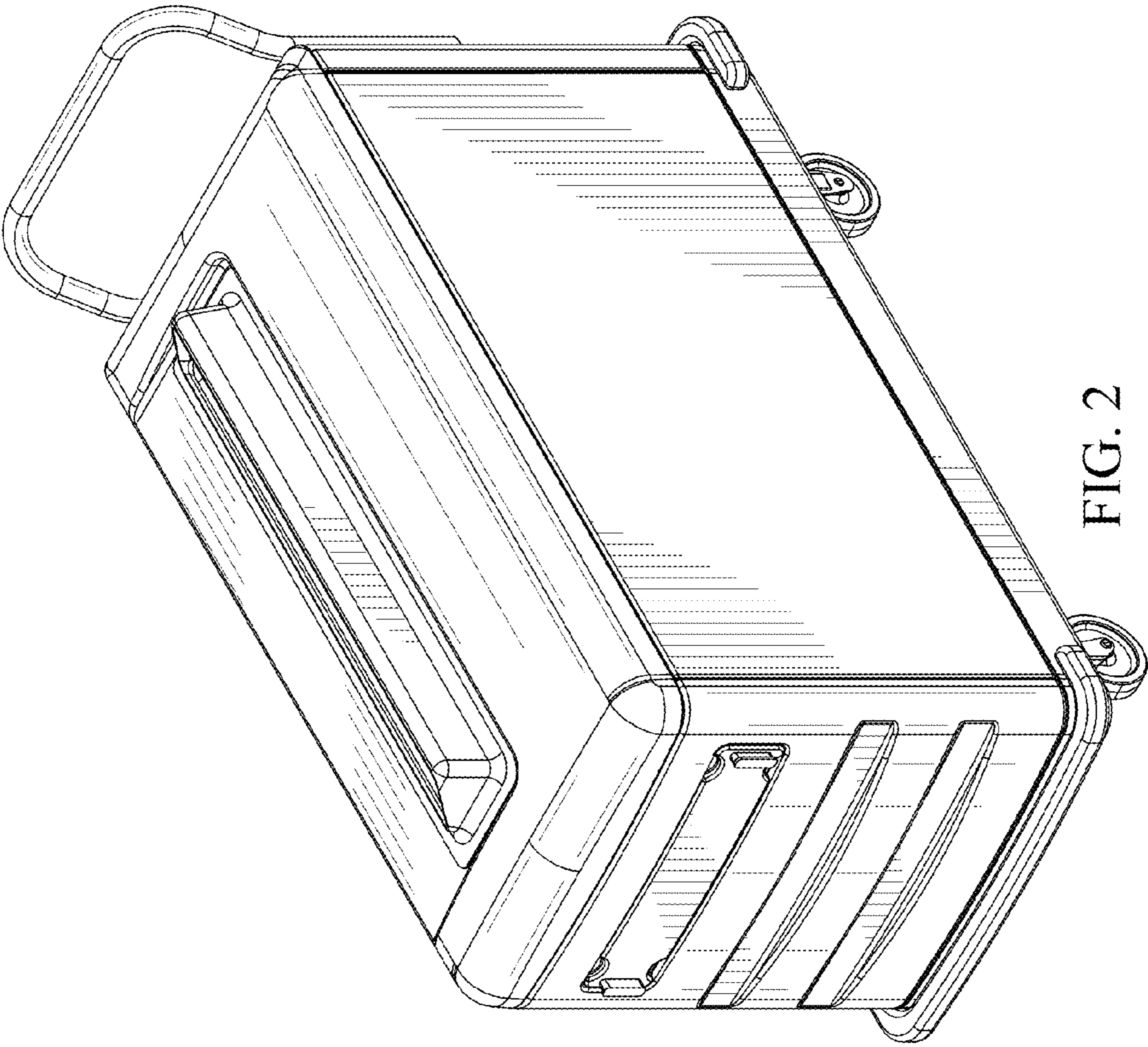


FIG. 2

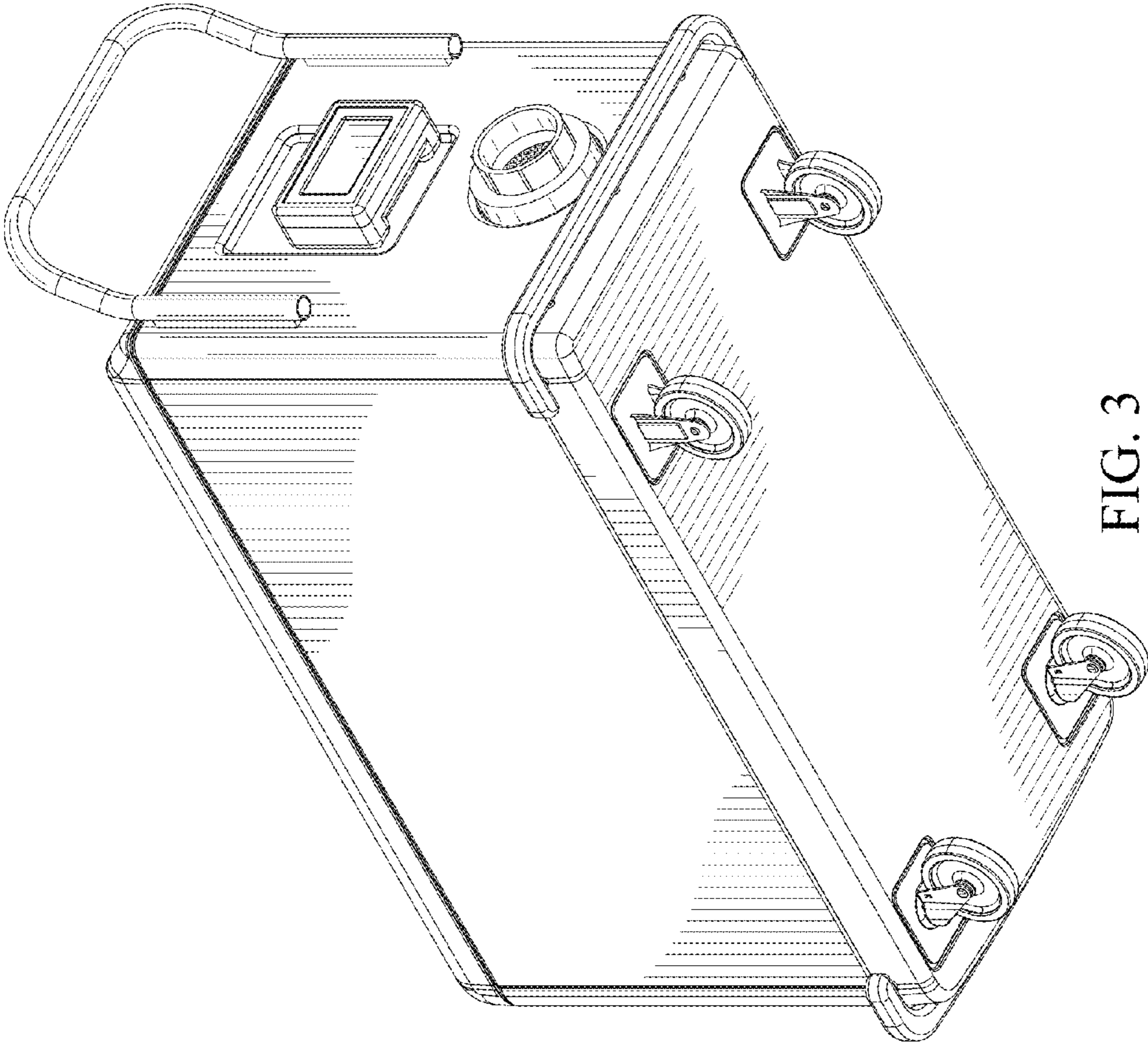


FIG. 3

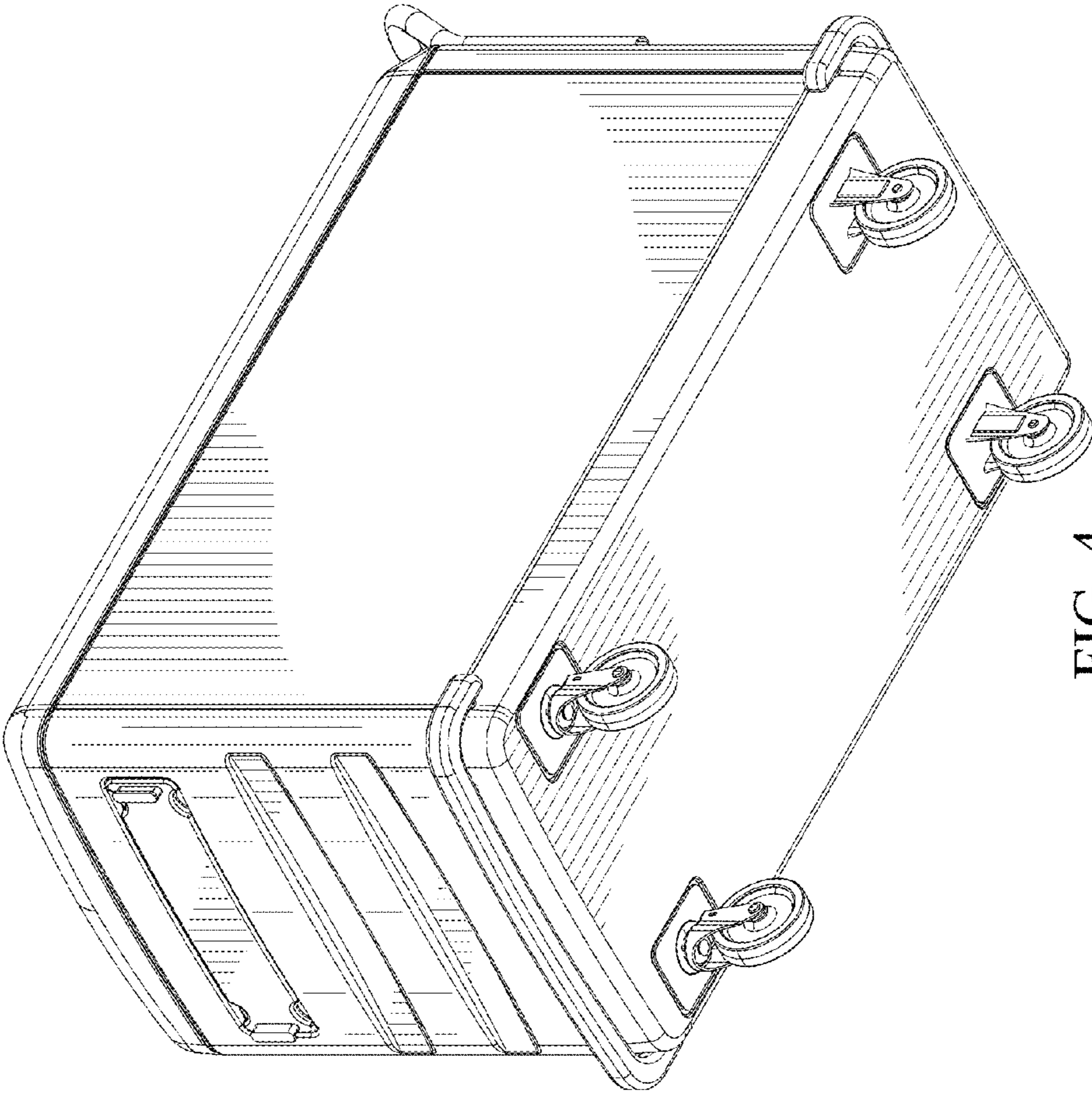


FIG. 4

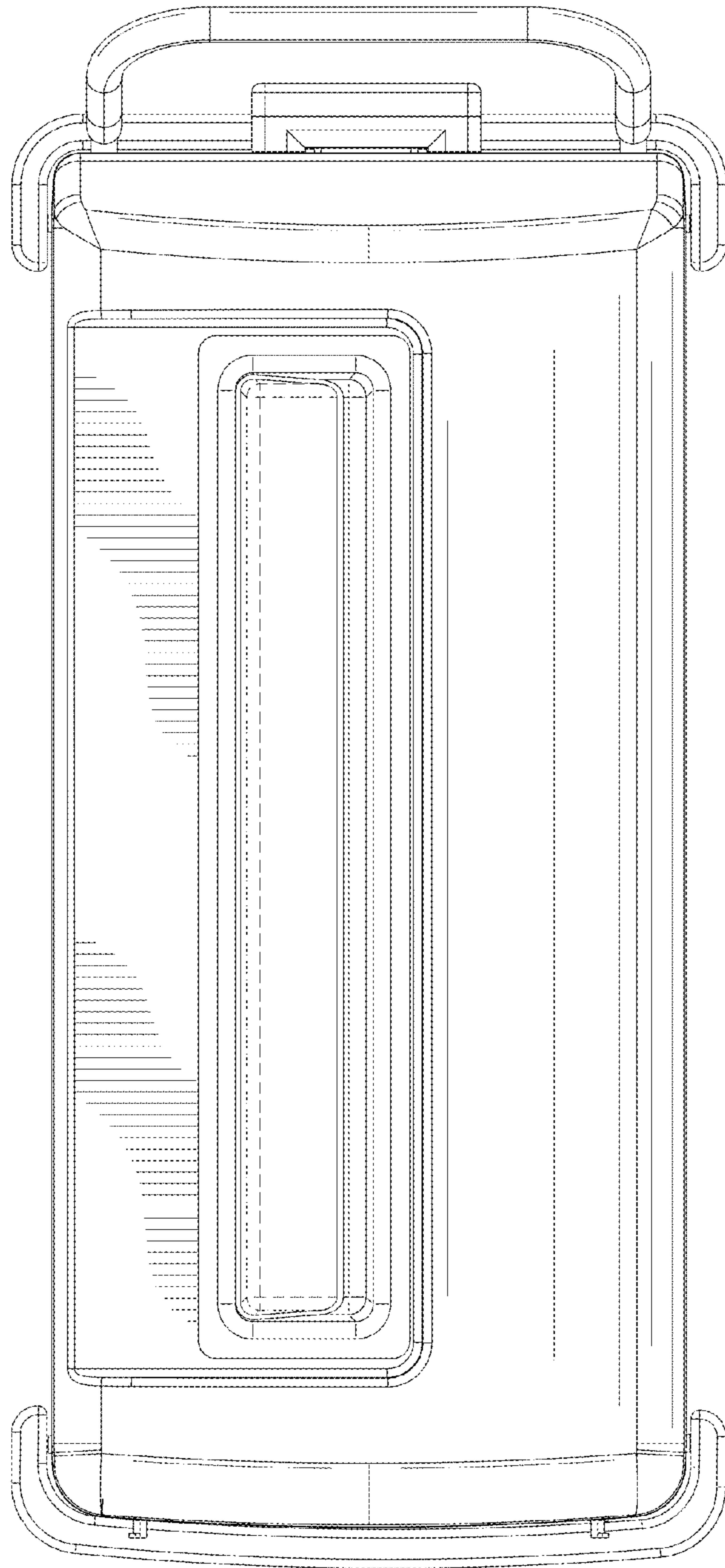


FIG. 5

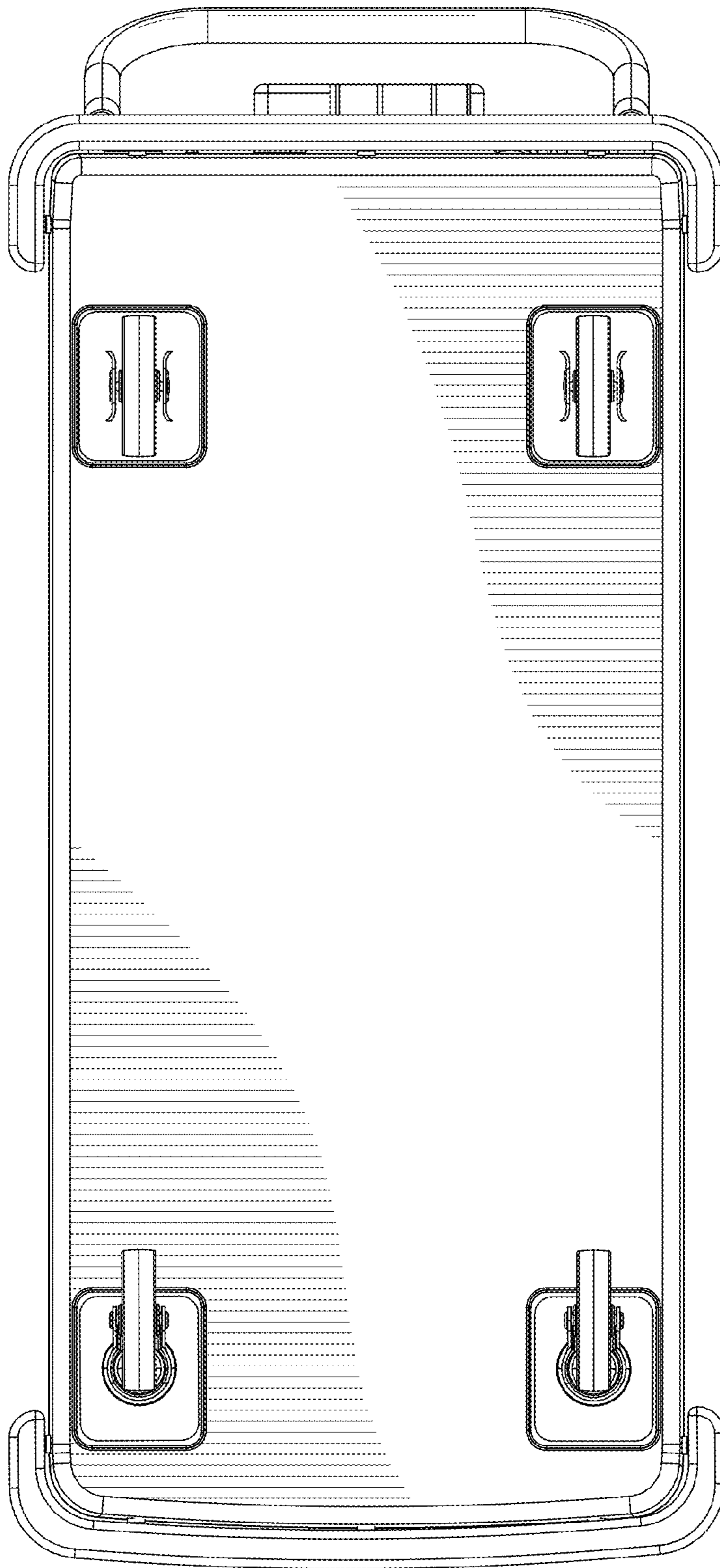


FIG. 6

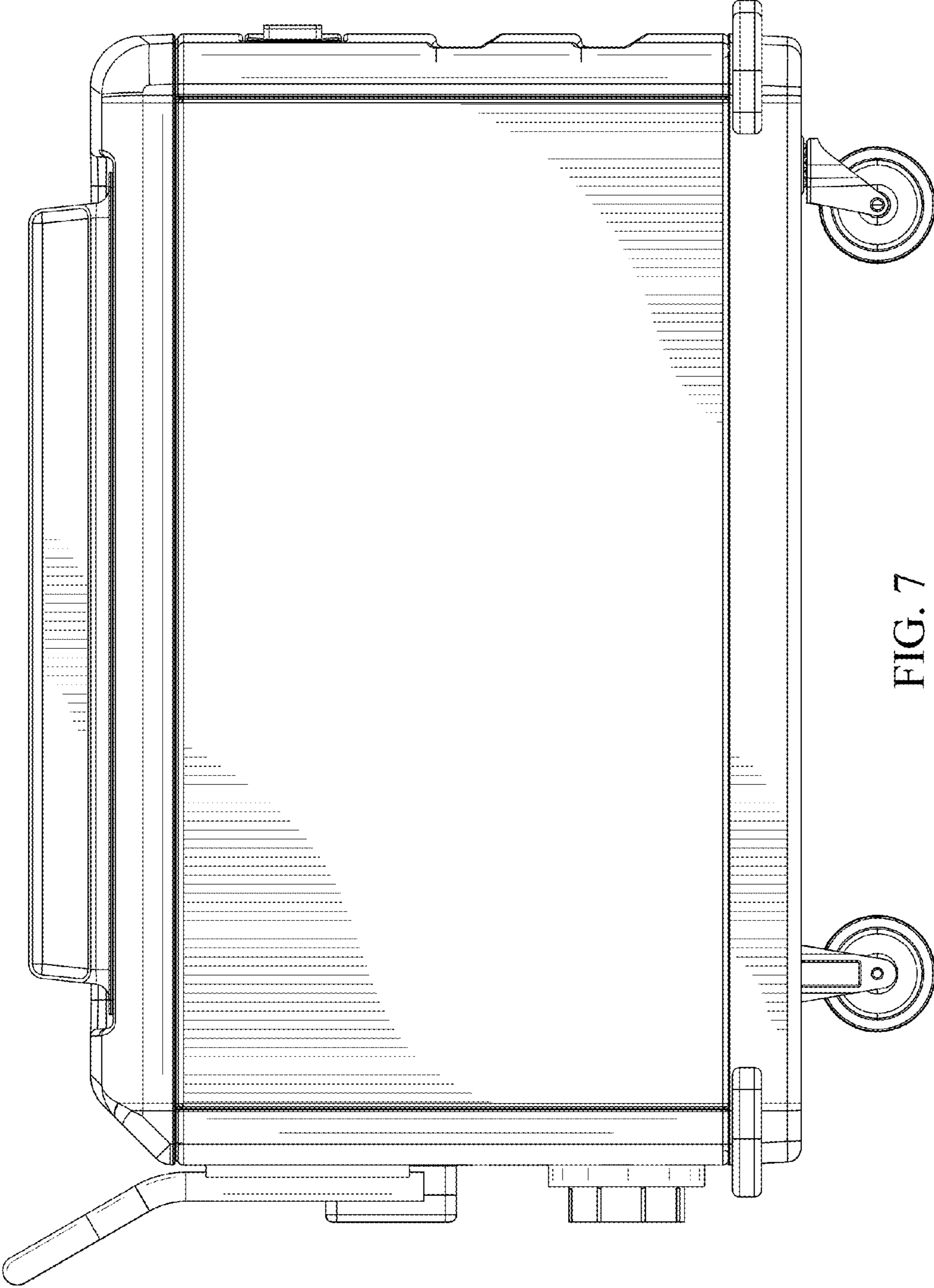


FIG. 7

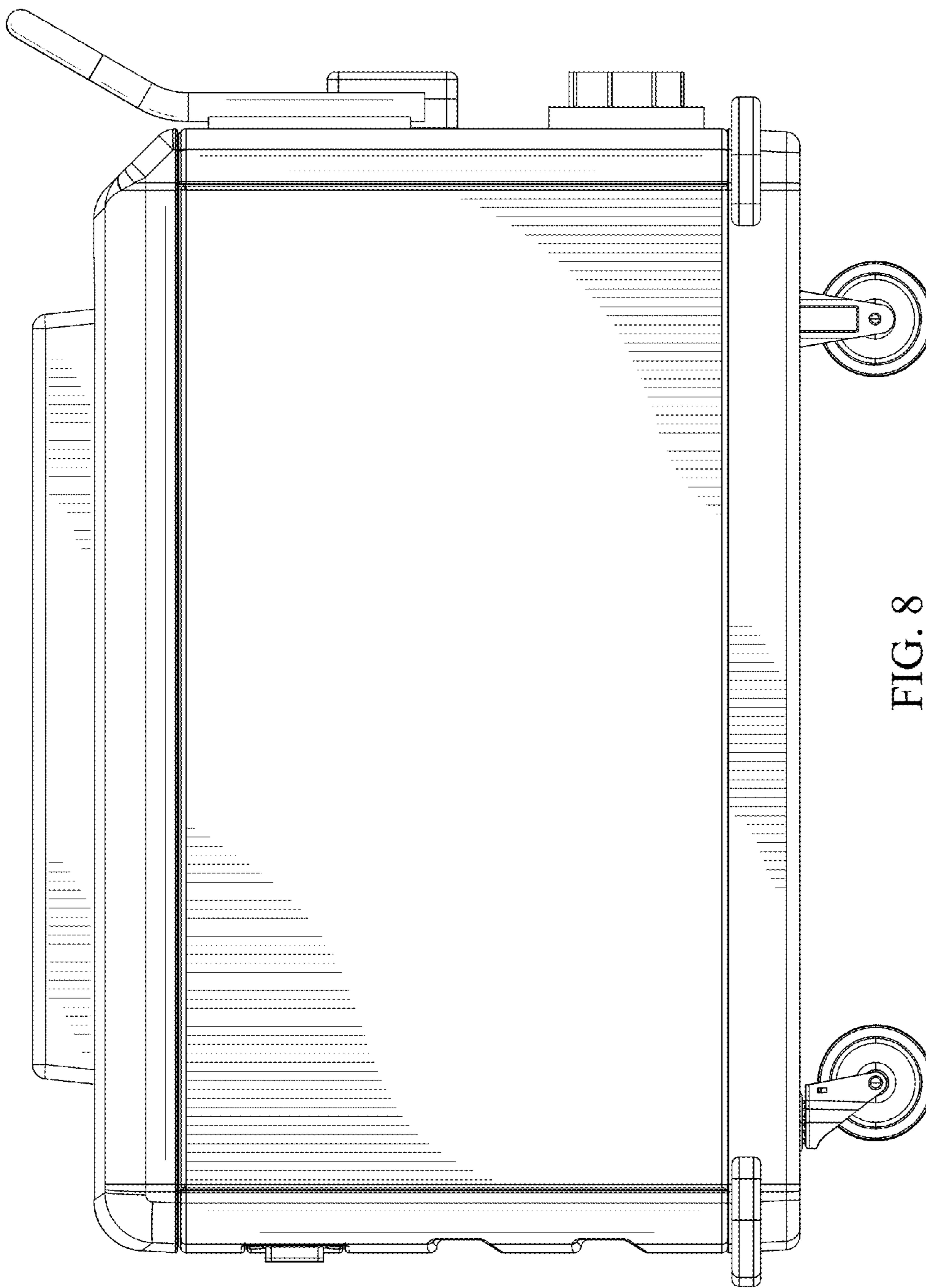


FIG. 8

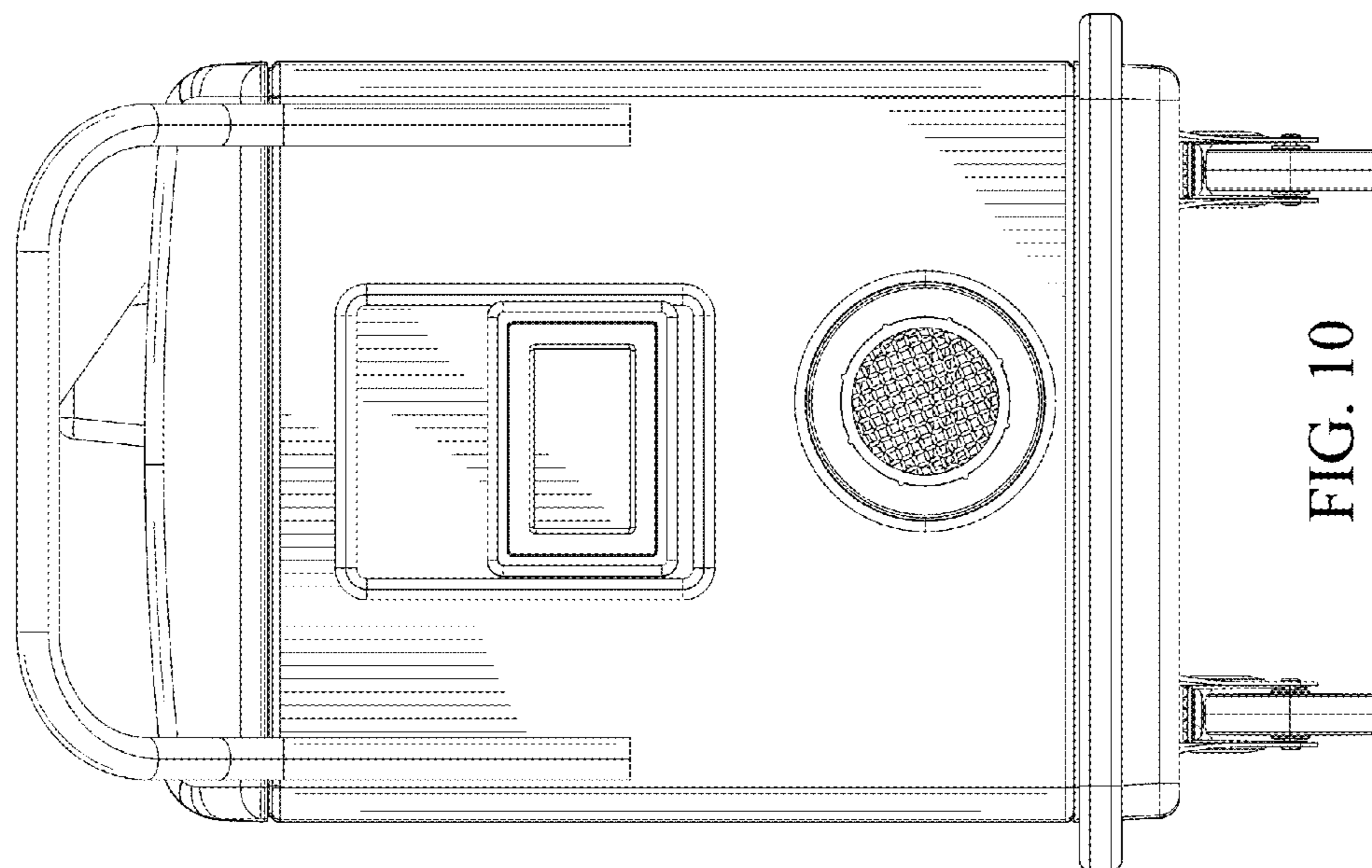


FIG. 10

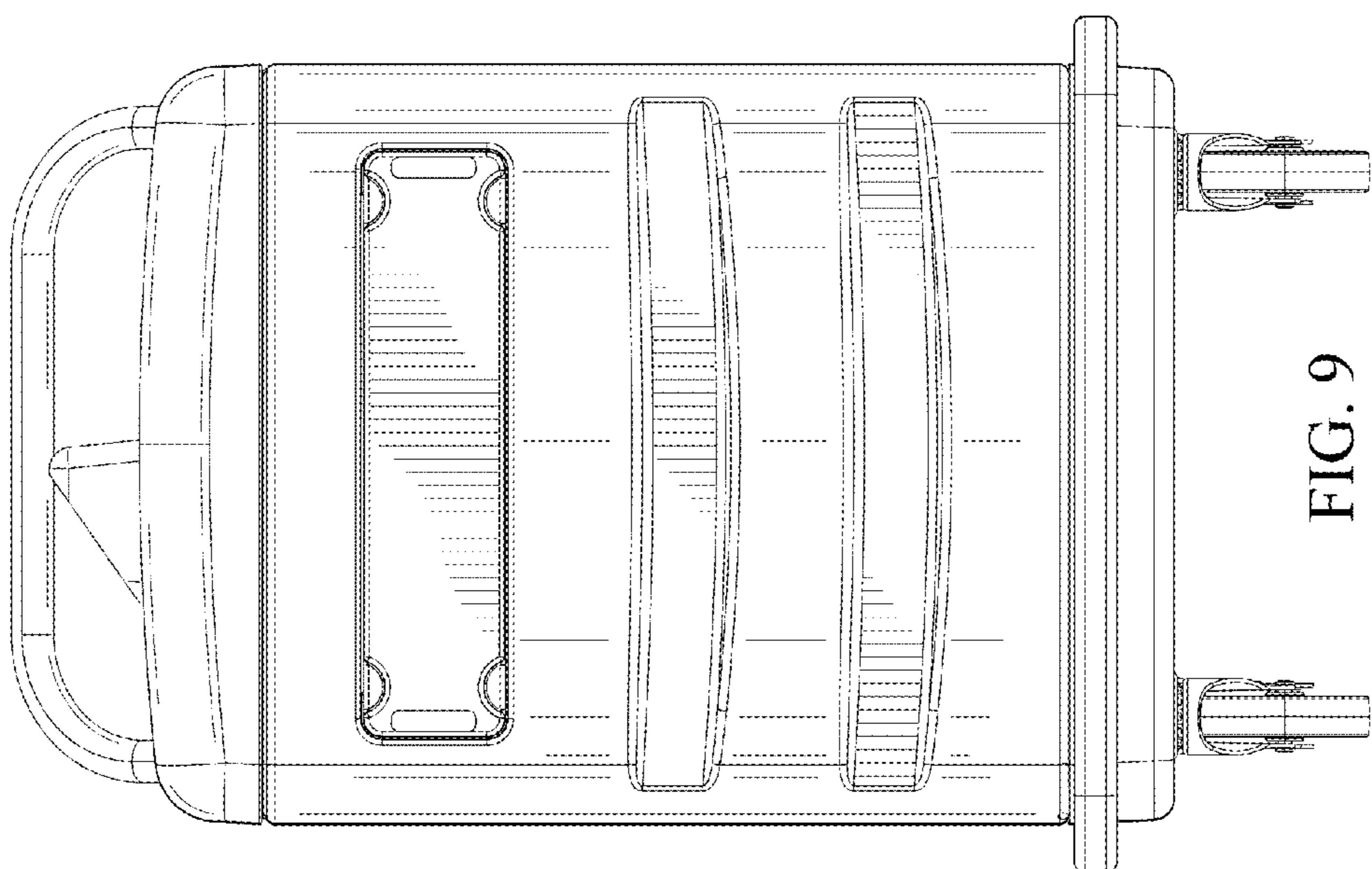


FIG. 9