



US00D696747S

(12) **United States Design Patent**  
**Nelson et al.**

(10) **Patent No.:** **US D696,747 S**  
(45) **Date of Patent:** **\*\* Dec. 31, 2013**

(54) **CONTAINER FOR A FLUID DISPENSING DEVICE**

(75) Inventors: **Cory J. Nelson**, Racine, WI (US); **Jose M. Arevalo**, Racine, WI (US); **James C. Stango**, Cumming, GA (US); **Aaron B. Eiger**, Chicago, IL (US); **Scott J. Rote**, New Lenox, IL (US)

(73) Assignee: **S.C. Johnson & Son, Inc.**, Racine, WI (US)

(\*\*) Term: **14 Years**

(21) Appl. No.: **29/422,577**

(22) Filed: **May 22, 2012**

D373,537 S	9/1996	Schirado
5,788,125 A	8/1998	Steiner et al.
5,823,391 A	10/1998	Klauke et al.
5,836,479 A	11/1998	Klima et al.
5,871,122 A	2/1999	Klima et al.
5,890,624 A	4/1999	Klima et al.
5,906,318 A	5/1999	Gurko, III et al.
5,944,223 A	8/1999	Klima et al.
5,947,332 A	9/1999	Klima et al.
6,073,808 A	6/2000	Klima et al.
6,123,230 A	9/2000	Klima, Jr. et al.
6,152,326 A	11/2000	Klima, Jr. et al.
6,182,865 B1	2/2001	Bunschoten et al.
6,319,453 B1	11/2001	Klima, Jr. et al.
6,375,041 B1	4/2002	Klima et al.
6,431,402 B1	8/2002	Klima et al.
6,540,109 B1	4/2003	Klima et al.
6,568,562 B1	5/2003	Klima, Jr. et al.

(Continued)

**Related U.S. Application Data**

(63) Continuation-in-part of application No. 29/400,665, filed on Aug. 31, 2011, now Pat. No. Des. 661,373, which is a continuation of application No. 29/338,740, filed on Jun. 17, 2009, now Pat. No. Des. 646,351.

(51) **LOC (9) Cl.** ..... **23-01**

(52) **U.S. Cl.**  
USPC ..... **D23/225; D9/743**

(58) **Field of Classification Search**  
USPC ..... D23/213, 225; 222/321.1, 136, 144; 239/154, 302, 308, 310, 316, 332, 333, 239/373, 337; D9/743; D7/598; D3/202  
See application file for complete search history.

(56) **References Cited**

**U.S. PATENT DOCUMENTS**

D166,052 S	2/1952	Smith
3,141,574 A	7/1964	Donoghue
5,152,431 A	10/1992	Gardner et al.
5,439,141 A	8/1995	Clark et al.
5,529,216 A	6/1996	Klima et al.

**FOREIGN PATENT DOCUMENTS**

EP	1726532	11/2006
WO	WO9530491	11/1995
WO	WO2006043935	4/2006
WO	WO2008118446	10/2008

*Primary Examiner* — Robin V Webster

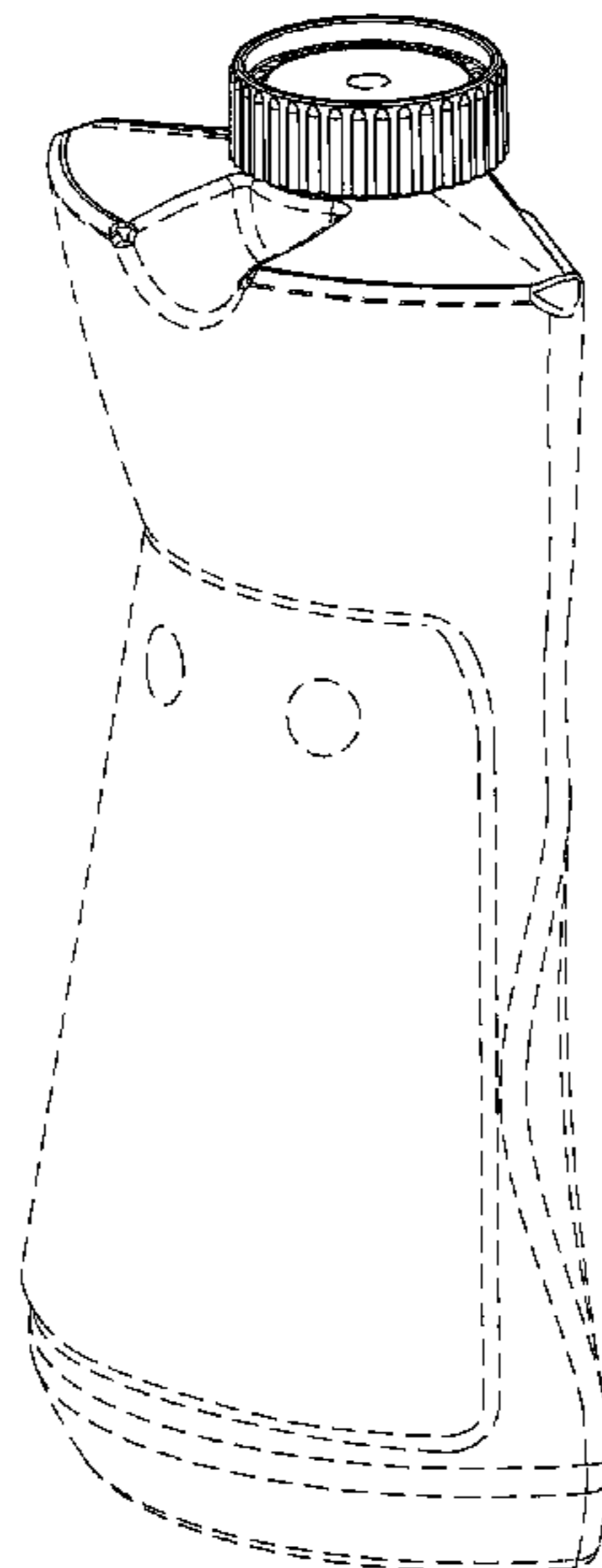
(57) **CLAIM**

The ornamental design for a container for a fluid dispensing device, substantially as shown and described.

**DESCRIPTION**

FIG. 1 is an isometric view of a container according to one embodiment of the present invention, viewed from above, in front of, and from the right side of the container; FIG. 2 is a front elevation view of the container of FIG. 1; and, FIG. 3 is a top plan view of the container of FIG. 1. The broken lines represent environmental structure and form no part of the claimed design.

**1 Claim, 3 Drawing Sheets**



(56)

**References Cited**

U.S. PATENT DOCUMENTS

6,659,311	B2	12/2003	Prueter	D626,434	S	11/2010	Massin et al.
D514,953	S	2/2006	Akopyan	D647,998	S	11/2011	Nelson et al.
7,331,486	B2	2/2008	Mon et al.	2003/0038186	A1	2/2003	Klima et al.
7,370,813	B2	5/2008	Hubmann et al.	2007/0189834	A1	8/2007	McKay
D614,046	S	4/2010	Piro	2008/0001002	A1	1/2008	Garon
D619,465	S	7/2010	Synder	2008/0011779	A1	1/2008	Klima et al.
				2008/0047921	A1	2/2008	Klabbers et al.
				2008/0049414	A1	2/2008	McKay
				2008/0049415	A1	2/2008	McKay
				2008/0062674	A1	3/2008	McKay

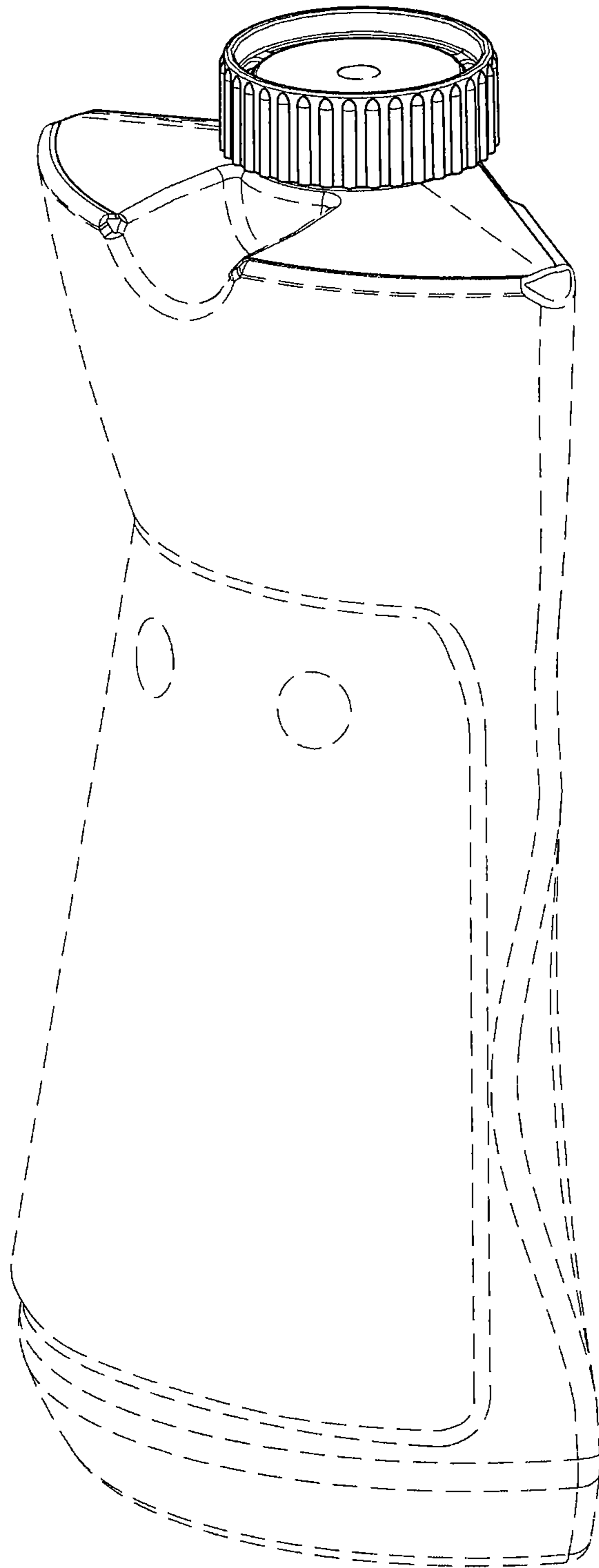


FIG. 1

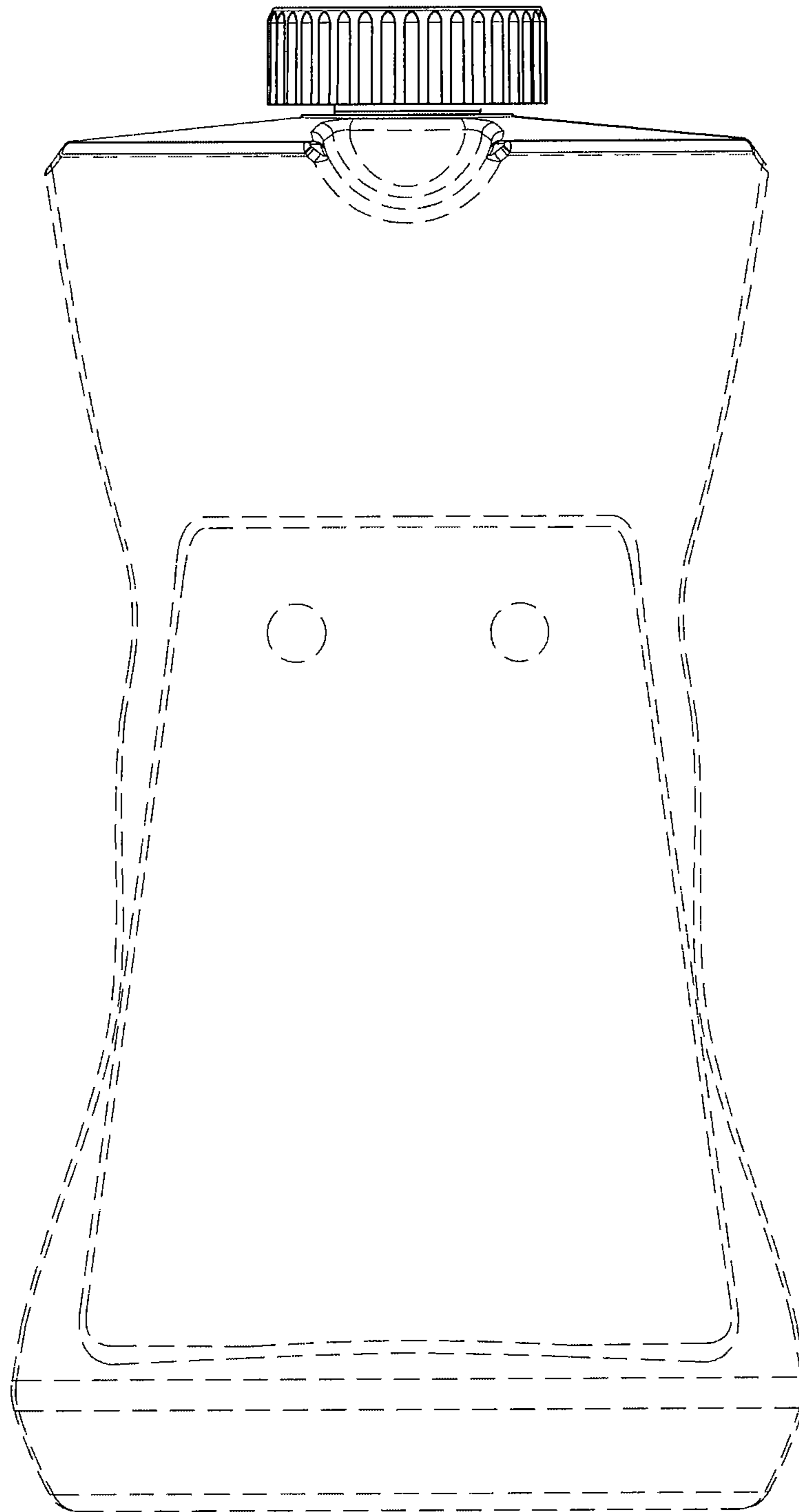


FIG. 2

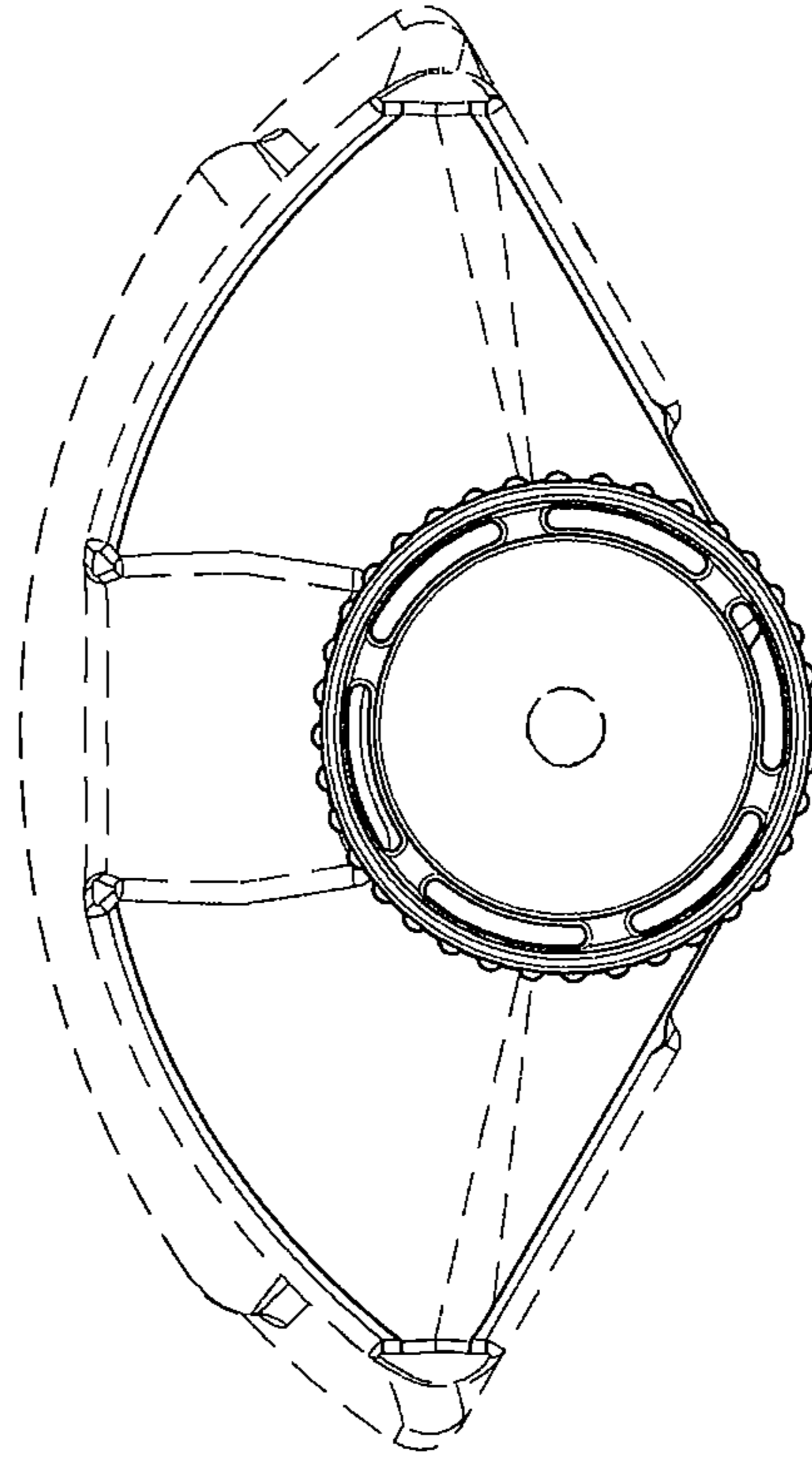


FIG. 3