

US00D696745S

(12) **United States Design Patent**
Hammerback

(10) **Patent No.:** **US D696,745 S**
(45) **Date of Patent:** **** Dec. 31, 2013**

- (54) **WATER PURIFICATION FILTER**
- (71) Applicant: **MLRB International, Inc.**, Fergus Falls, MN (US)
- (72) Inventor: **Jason Hammerback**, Fergus Falls, MN (US)
- (73) Assignee: **MRLB International, Inc.**, Fergus Falls, MN (US)
- (**) Term: **14 Years**
- (21) Appl. No.: **29/435,397**
- (22) Filed: **Oct. 23, 2012**
- (51) **LOC (9) Cl.** **23-01**
- (52) **U.S. Cl.**
USPC **D23/209**
- (58) **Field of Classification Search**
USPC D23/207, 209; 210/266, 232, 282
See application file for complete search history.

| | | | | | | |
|-----------|----|---|---------|------------------|-------|---------|
| D405,867 | S | * | 2/1999 | Denkewicz et al. | | D23/209 |
| D408,493 | S | * | 4/1999 | Yeiser | | D23/207 |
| D408,886 | S | * | 4/1999 | Matyushin et al. | | D23/207 |
| D432,622 | S | * | 10/2000 | Thompson et al. | | D23/209 |
| D438,591 | S | * | 3/2001 | Froeber | | D23/207 |
| 6,224,764 | B1 | | 5/2001 | Matyushin et al. | | |
| 6,899,868 | B2 | | 5/2005 | Messier | | |
| 7,507,338 | B2 | | 3/2009 | Bommi et al. | | |

FOREIGN PATENT DOCUMENTS

| | | | |
|----|---------|----|--------|
| EP | 432906 | A1 | 6/1991 |
| GB | 2270846 | A | 3/1994 |

* cited by examiner

Primary Examiner — Robin V Webster

(74) *Attorney, Agent, or Firm* — Viksnins Harris & Padys PLLP

(57) **CLAIM**

The ornamental design for a water purification filter, as shown and described.

DESCRIPTION

FIG. 1 is a perspective view of a water purification filter showing my new design.

FIG. 2 is a first end view of the water purification filter of FIG. 1.

FIG. 3 is a second end view of the water purification filter of FIG. 1; and,

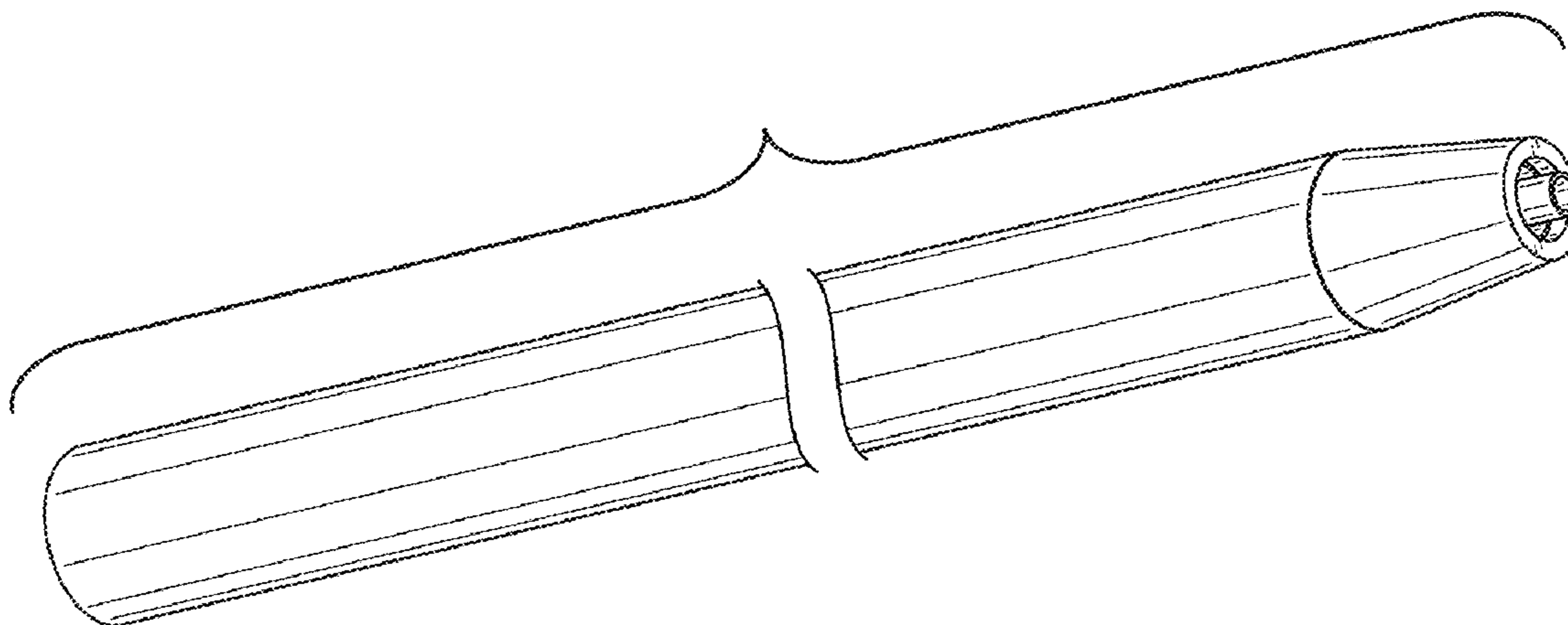
FIG. 4 is a side view of the water purification filter of FIG. 1. The claimed design is shown fragmented in FIGS. 1 and 4 to represent non-specified length.

1 Claim, 3 Drawing Sheets

(56) **References Cited**

U.S. PATENT DOCUMENTS

| | | | | | | |
|-----------|---|---|---------|------------------|-------|---------|
| 5,045,195 | A | * | 9/1991 | Spangrud et al. | | 210/266 |
| 5,230,624 | A | | 7/1993 | Wolf et al. | | |
| 5,273,649 | A | * | 12/1993 | Magnusson et al. | | 210/232 |
| D351,892 | S | | 10/1994 | Wolf et al. | | |
| 5,370,534 | A | | 12/1994 | Wolf et al. | | |
| 5,518,613 | A | * | 5/1996 | Koczur et al. | | 210/266 |
| 5,556,279 | A | | 9/1996 | Wolf et al. | | |
| 5,830,360 | A | | 11/1998 | Mozayeni | | |



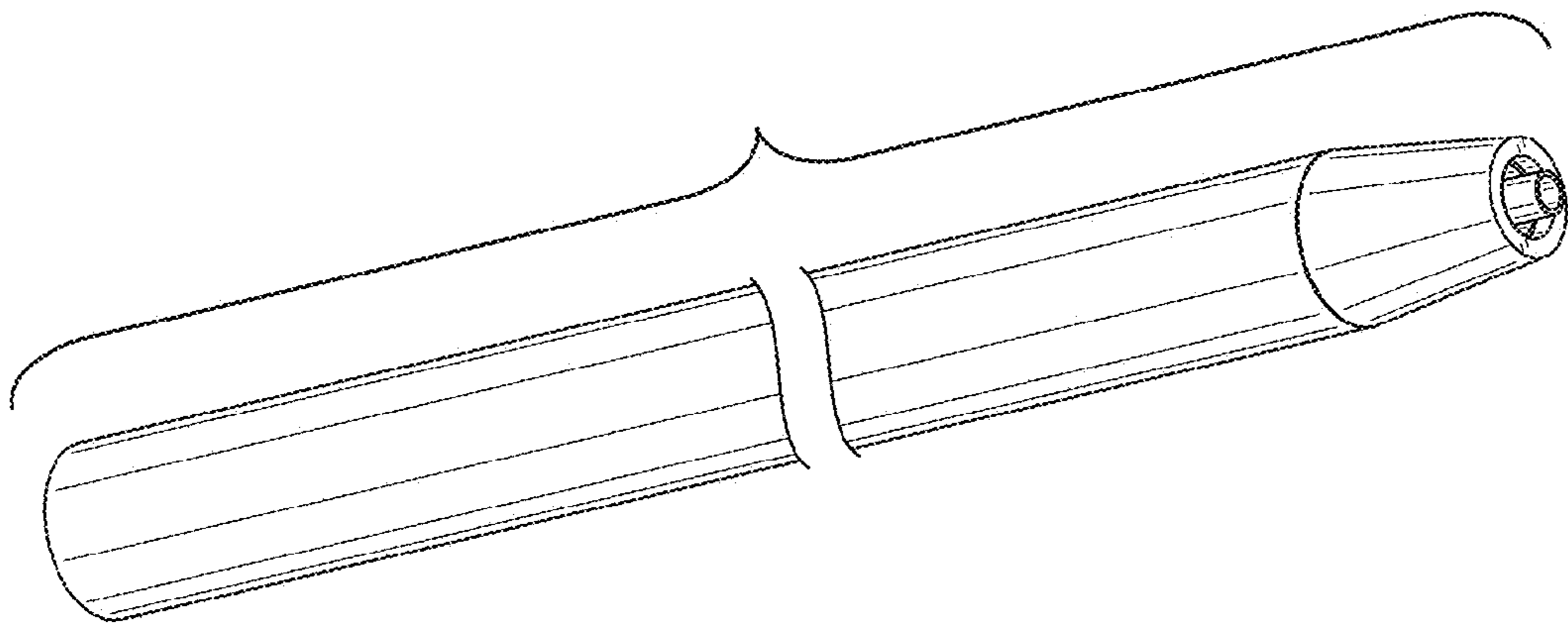


FIG. 1

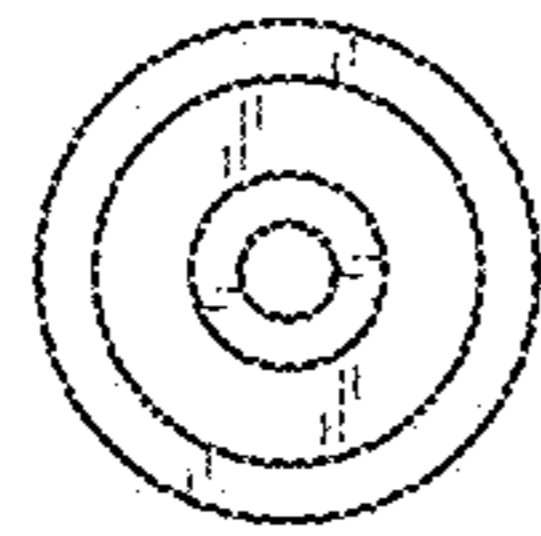


FIG. 2

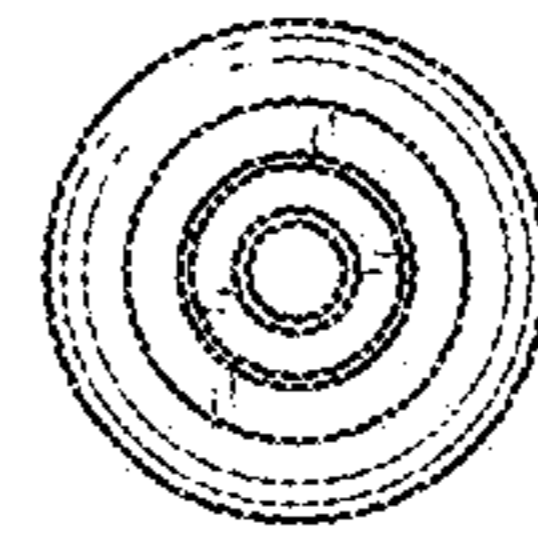


FIG. 3

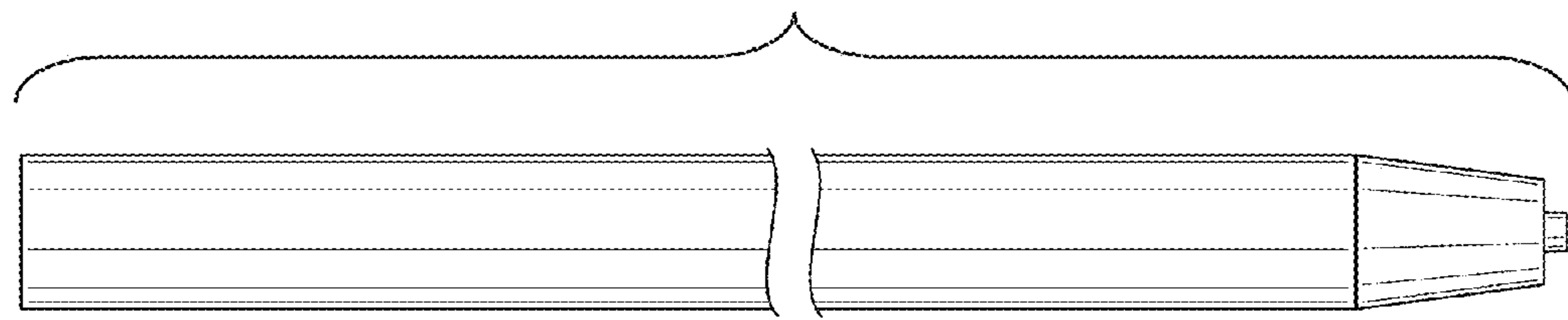


FIG. 4