



US00D696740S

(12) **United States Design Patent**  
**Wilkie**

(10) **Patent No.:** **US D696,740 S**

(45) **Date of Patent:** **\*\* Dec. 31, 2013**

(54) **PUTTING APPARATUS**

(71) Applicant: **DWI Concepts Limited**, Edinburgh  
(GB)

(72) Inventor: **Douglas Scott Wilkie**, Edinburgh (GB)

(73) Assignee: **DWI Concepts Limited** (GB)

(\*\*) Term: **14 Years**

(21) Appl. No.: **29/434,971**

(22) Filed: **Oct. 18, 2012**

(51) **LOC (9) Cl.** ..... **21-02**

(52) **U.S. Cl.**  
USPC ..... **D21/791**

(58) **Field of Classification Search**  
USPC ..... D21/789, 790, 791; 473/257-262, 219,  
473/270, 229, 221, 265, 173, 278  
See application file for complete search history.

(56) **References Cited**

**U.S. PATENT DOCUMENTS**

2,858,133	A *	10/1958	Self	473/229
D199,127	S *	9/1964	Nelson	D21/791
D239,299	S *	3/1976	O'Shea	D21/790
4,691,923	A *	9/1987	Schwartz	473/185
5,171,016	A *	12/1992	Kamal	473/160
D334,777	S *	4/1993	Caravella	D21/303
D338,512	S *	8/1993	Crow et al.	D21/791
D354,107	S *	1/1995	Kueng et al.	D21/791
5,501,462	A *	3/1996	Shih	473/163

5,595,543	A *	1/1997	Wolk	473/162
D384,385	S *	9/1997	Farage	D21/791
D387,836	S *	12/1997	Farnsworth	D21/791
5,733,200	A *	3/1998	Kim	473/161
D399,285	S *	10/1998	Ridge	D21/789
D418,891	S *	1/2000	Sirak	D21/791
D431,855	S *	10/2000	Rose	D21/791
D461,517	S *	8/2002	Morgan et al.	D21/791
6,561,920	B1 *	5/2003	Hamilton	473/257
D520,096	S *	5/2006	Prestwich	D21/791
D558,849	S *	1/2008	Taira et al.	D21/791
D600,299	S *	9/2009	Hanley	D21/791
D614,253	S *	4/2010	Hadley	D21/791
D635,214	S *	3/2011	Johansen	D21/791
D640,763	S *	6/2011	Jones et al.	D21/789
D672,001	S *	12/2012	Whitfield	D21/791

\* cited by examiner

*Primary Examiner* — Mitchell Siegel

(74) *Attorney, Agent, or Firm* — Snell & Wilmer L.L.P.

(57) **CLAIM**

The ornamental design for a putting apparatus, as shown and described.

**DESCRIPTION**

FIG. 1 is a perspective view of a putting apparatus showing the new design;

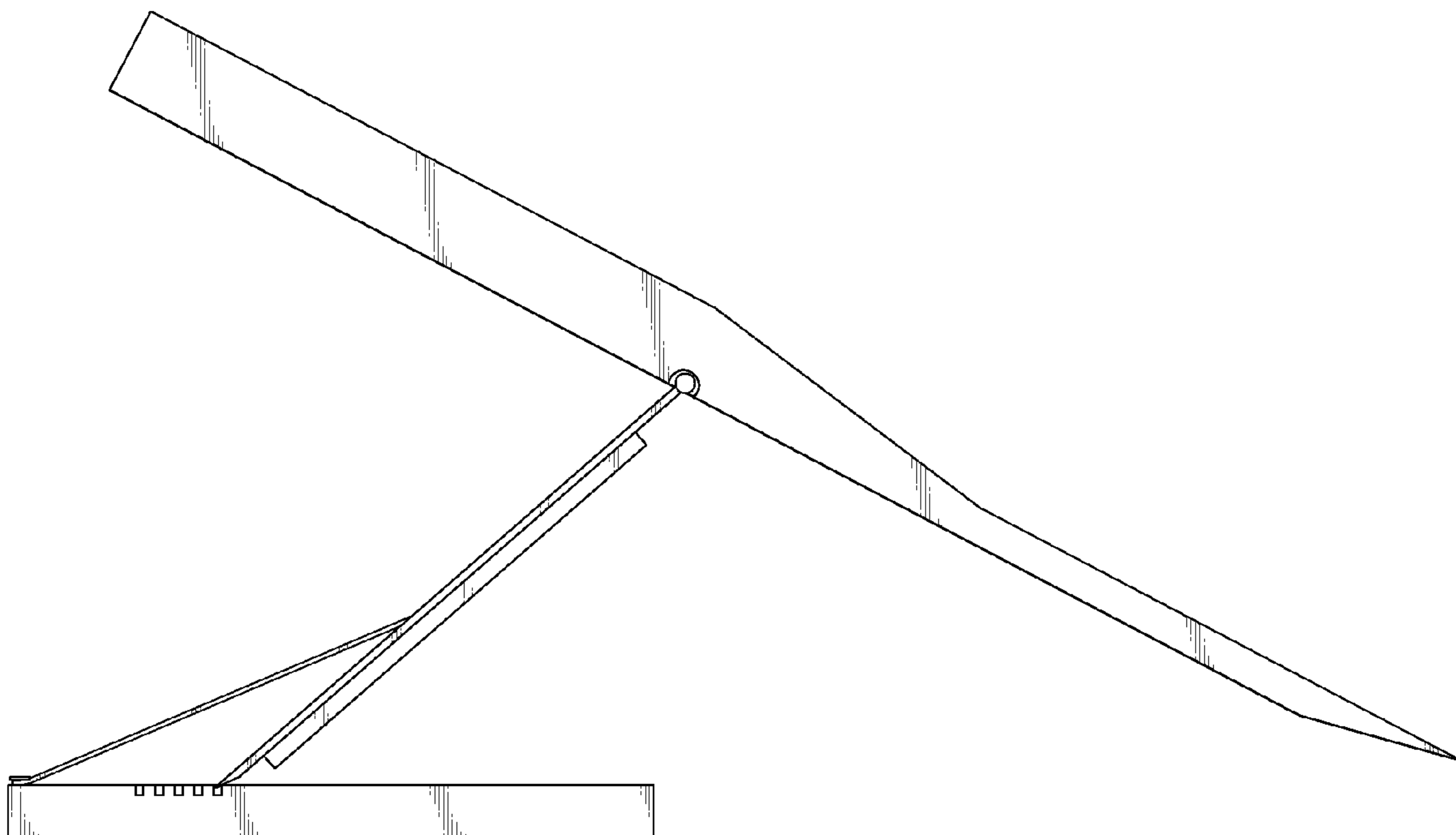
FIG. 2 is a top plan view thereof;

FIG. 3 is an elevational view being shown in an alternate position;

FIG. 4 is a bottom plan view of FIG. 3; and,

FIG. 5 is an elevational view of FIG. 1.

**1 Claim, 2 Drawing Sheets**



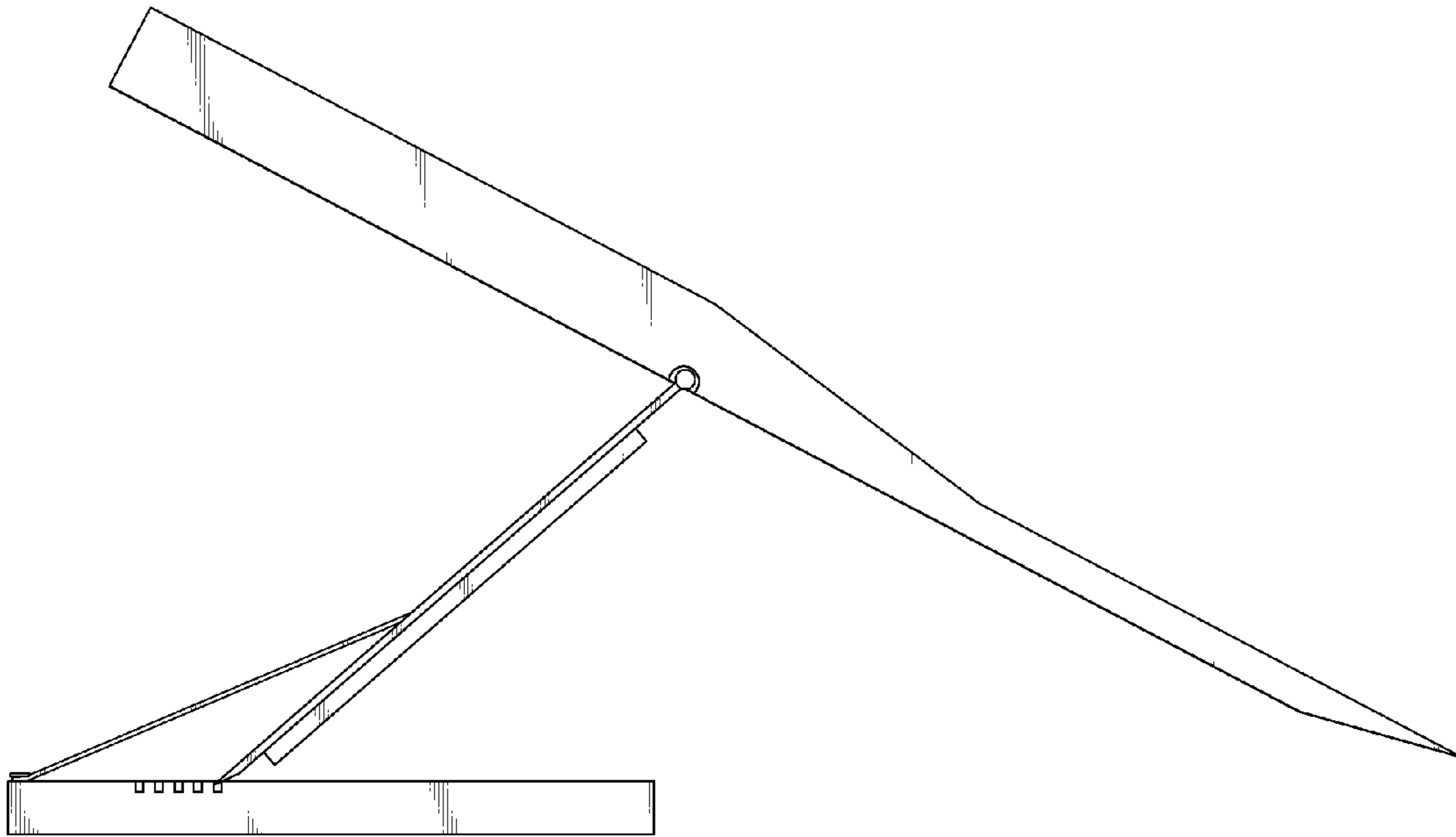


Fig.1

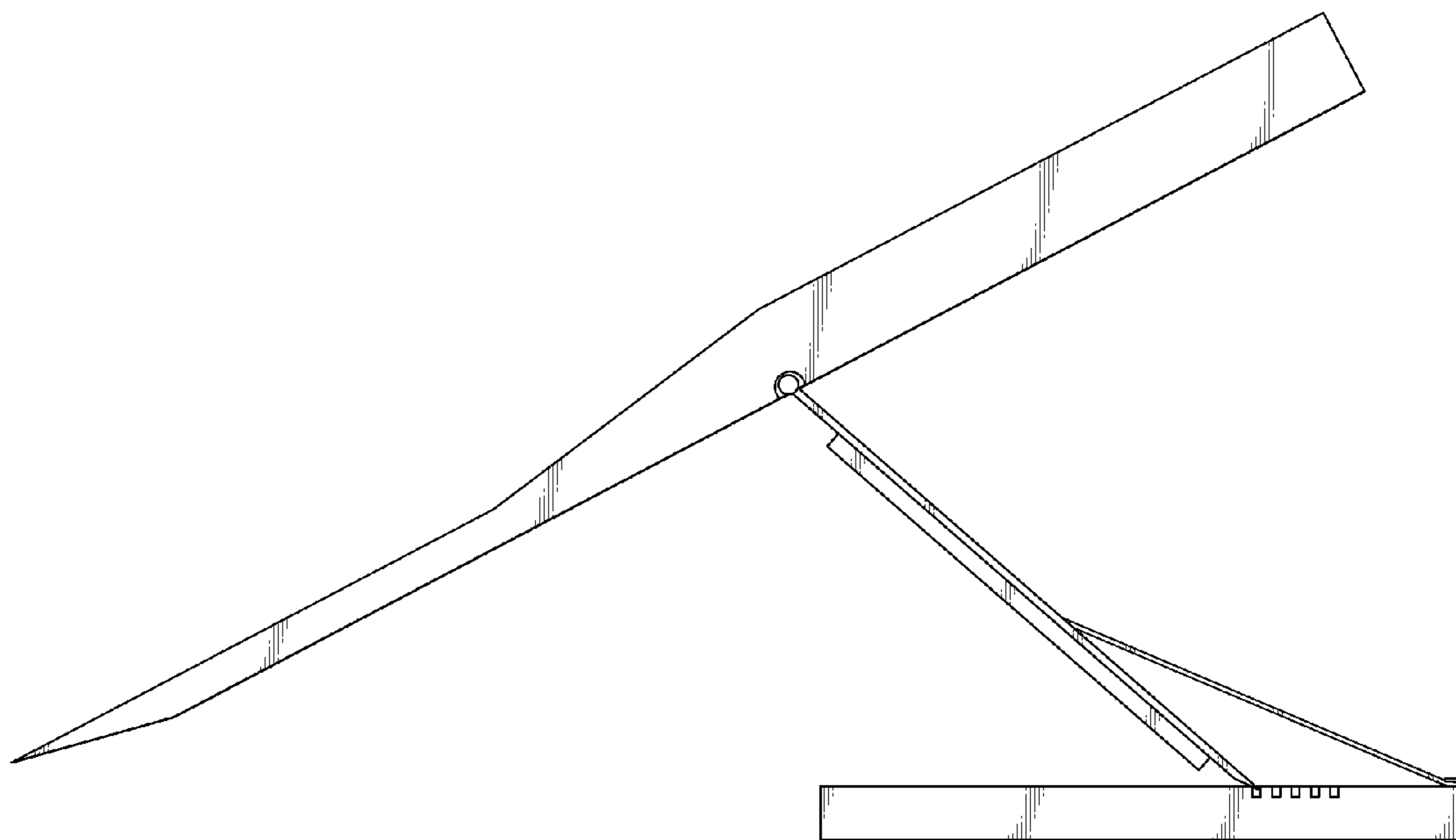


Fig.2

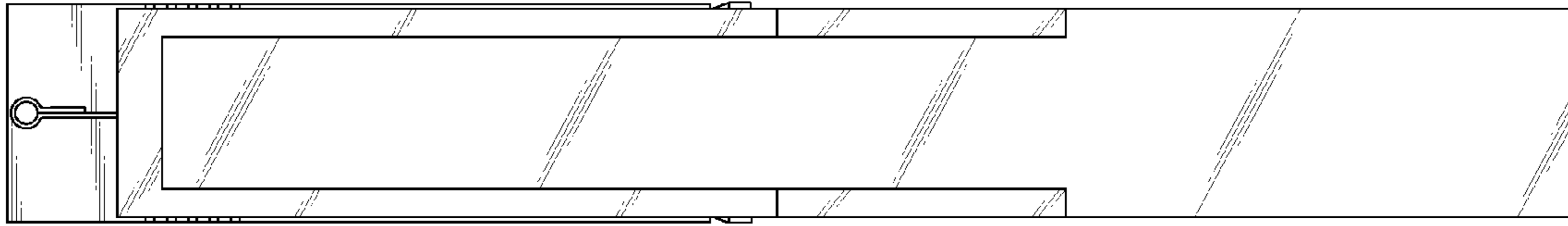


Fig.3

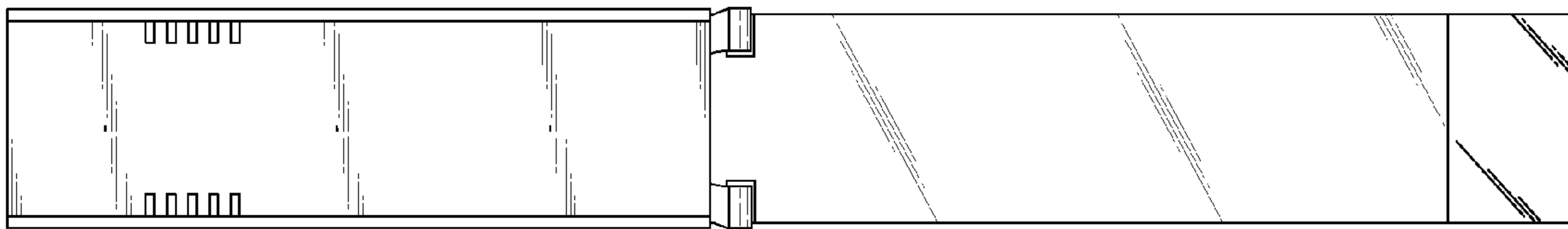


Fig.4

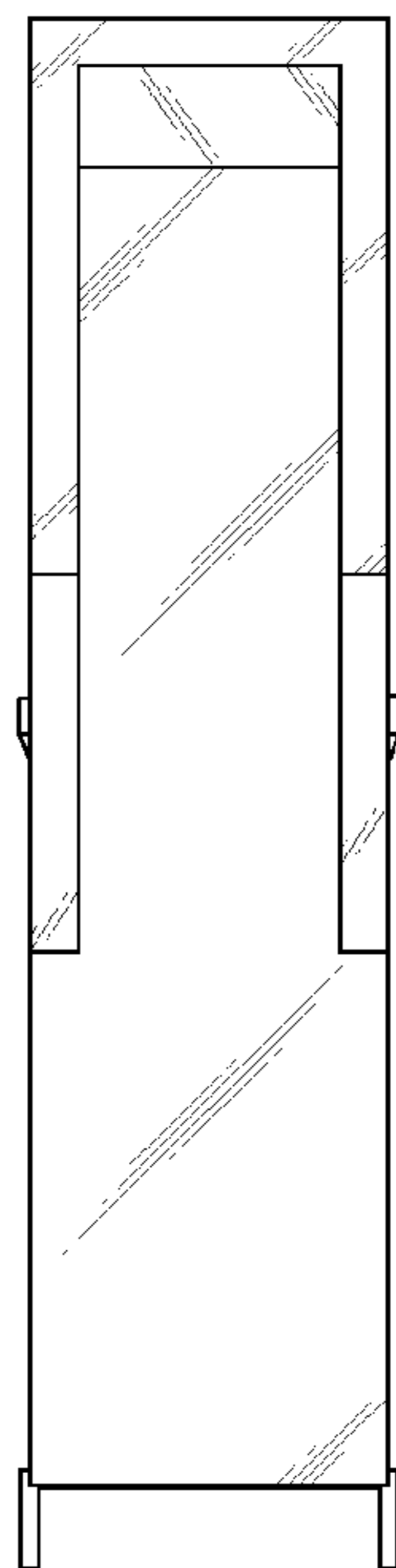


Fig.5