



US00D696736S

(12) **United States Design Patent**
Preston

(10) **Patent No.:** **US D696,736 S**
(45) **Date of Patent:** **** Dec. 31, 2013**

- (54) **DOUBLE HANDLE DUMBBELL**
- (71) Applicant: **Renea Preston**, Peachtree, GA (US)
- (72) Inventor: **Renea Preston**, Peachtree, GA (US)
- (**) Term: **14 Years**
- (21) Appl. No.: **29/459,307**
- (22) Filed: **Jun. 28, 2013**
- (51) **LOC (9) Cl.** **21-02**
- (52) **U.S. Cl.**
USPC **D21/680; D21/681**
- (58) **Field of Classification Search**
USPC D21/662, 679, 680-682, 684, 692, 694,
D21/725, 756; 482/44, 45, 46, 49, 91,
482/105-108, 114, 115, 131, 148; D8/14,
D8/70, 107, 303, 313; D32/54; 74/551.9,
74/558; 473/300-303, 543; 16/411,
16/421-422, 431; 294/171
See application file for complete search history.

7,137,930	B1	11/2006	Carr	
7,285,080	B1	10/2007	Chiu	
7,334,499	B2 *	2/2008	Lai	74/551.9
D593,716	S *	6/2009	Strauss	D30/156
D597,612	S *	8/2009	Lien	D21/681
D615,605	S *	5/2010	Frasco et al.	D21/694
7,740,569	B2 *	6/2010	Patti	482/107
D626,816	S *	11/2010	Claxton	D8/303
D648,204	S *	11/2011	Parvey	D8/303
8,210,996	B2 *	7/2012	Anderson	482/107
8,262,546	B1	9/2012	Lashinske et al.	
D669,945	S *	10/2012	Russo et al.	D21/662
D688,756	S *	8/2013	Wauldron et al.	D21/662
2001/0001094	A1	5/2001	Panes	
2005/0003931	A1	1/2005	Mills et al.	
2006/0199709	A1	9/2006	Shepherd	
2008/0176724	A1 *	7/2008	Chrysanthus	482/107
2009/0239719	A1 *	9/2009	Patti	482/107

* cited by examiner

Primary Examiner — Phillip S Hyder
(74) *Attorney, Agent, or Firm* — Michael Coblenz

(57) **CLAIM**
The ornamental design for a double handle dumbbell, as shown and described.

(56) **References Cited**

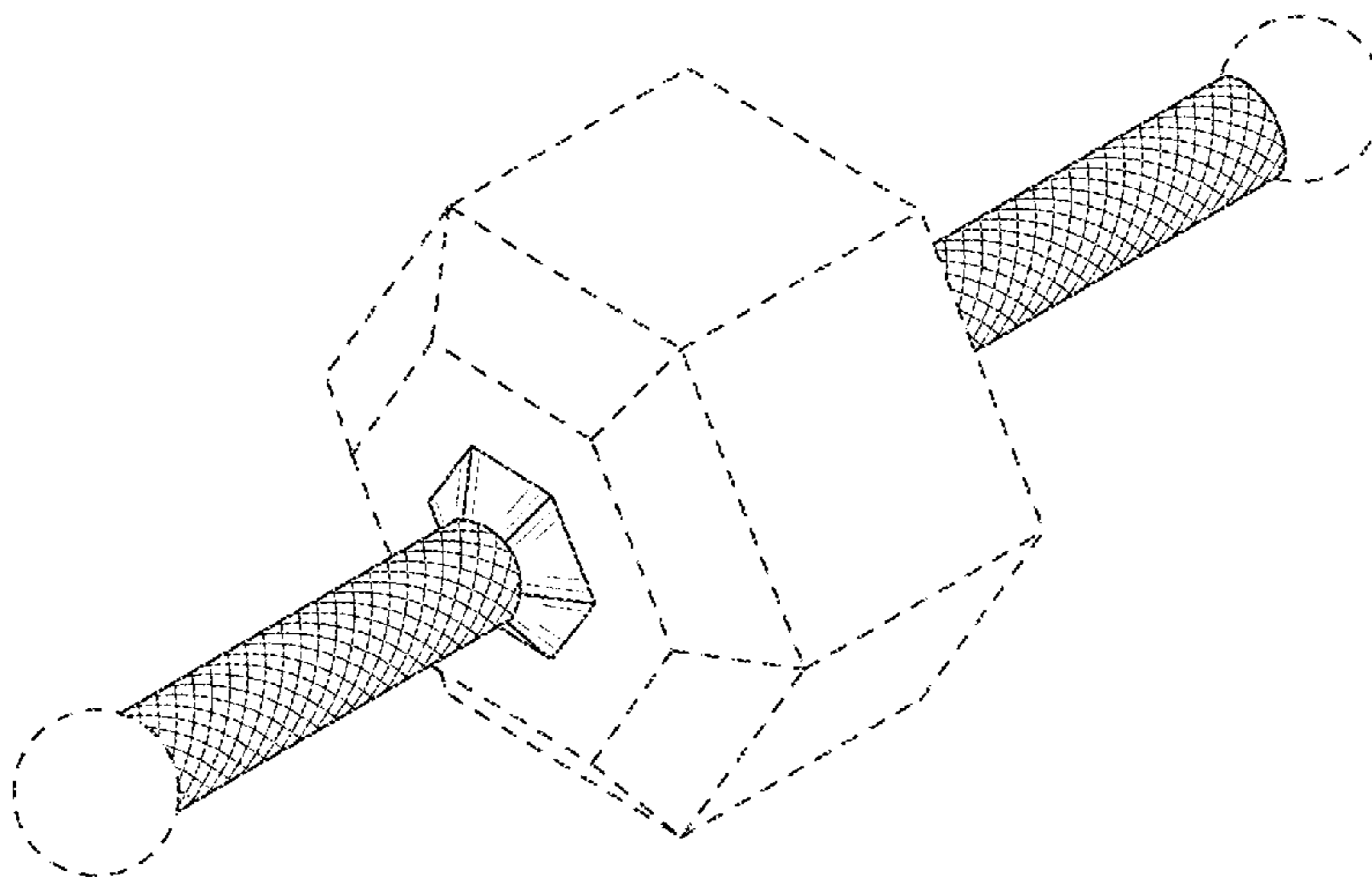
U.S. PATENT DOCUMENTS

D52,489	S *	9/1918	Palmer	D8/303
4,566,690	A *	1/1986	Schook	482/108
D301,269	S	5/1989	Lee	
4,828,256	A	5/1989	Lee	
5,536,277	A	7/1996	Shimode et al.	
D377,745	S *	2/1997	Laun	D8/107
D410,834	S *	6/1999	Hsu	D8/303
D425,151	S *	5/2000	Landfair	D21/681
D433,468	S *	11/2000	Rojas et al.	D21/680
6,190,292	B1	2/2001	Panes	
D456,051	S *	4/2002	Mitchell	D21/662
D456,864	S *	5/2002	Dantolan	D21/684
D461,390	S *	8/2002	Livingston	D8/303

DESCRIPTION

FIG. 1 is a perspective view of a double handled dumbbell showing my new design;
FIG. 2 is a left elevation view thereof, with the right elevation being a mirror image of the left;
FIG. 3 is a front elevation view thereof, with the back elevation being a mirror image of the front; and,
FIG. 4 is a top plan view thereof, with the bottom plan view being a mirror image of the top.
The broken lines illustrate environmental structure and form no part of the claimed design.

1 Claim, 2 Drawing Sheets



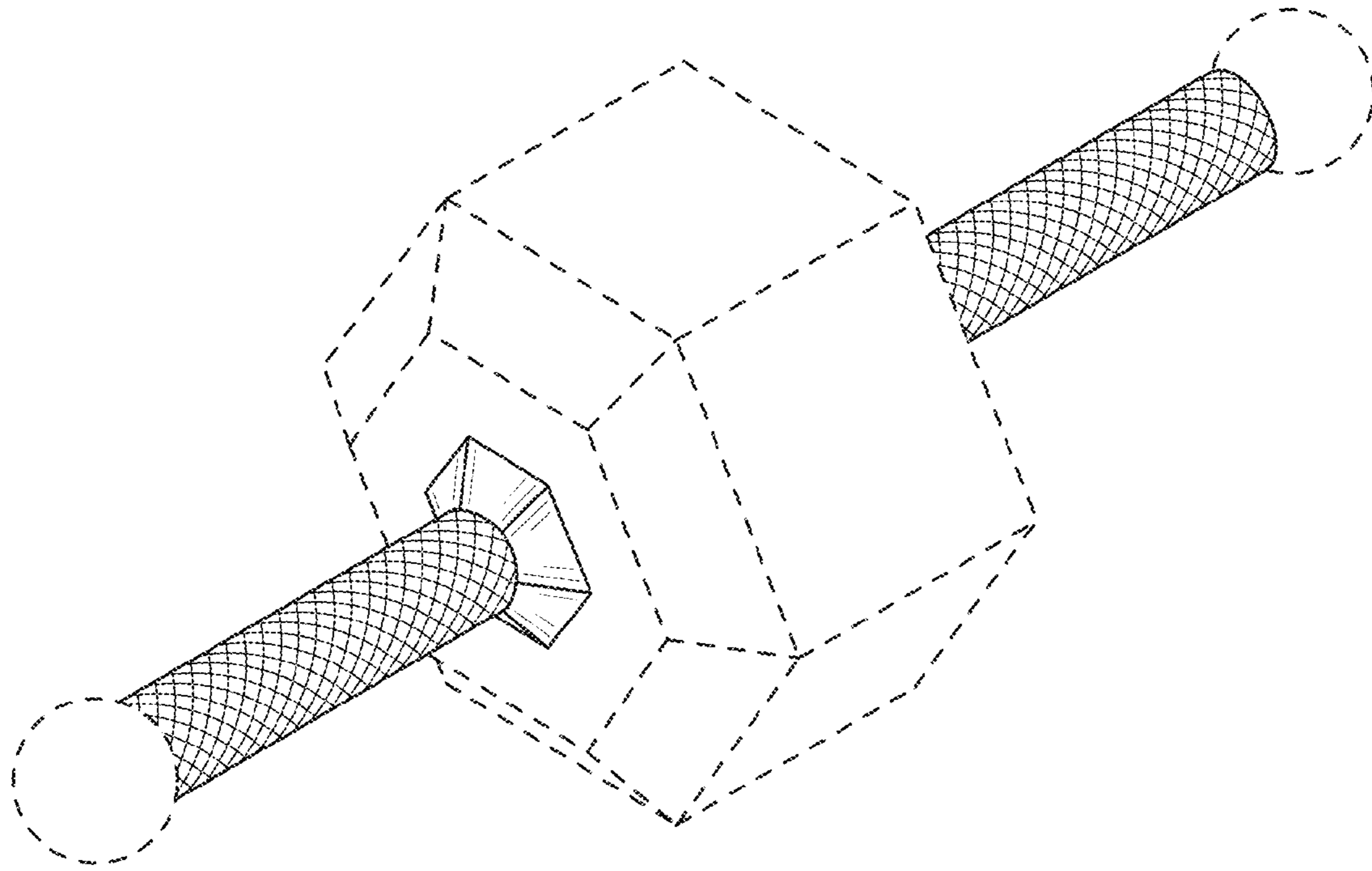


FIG. 1

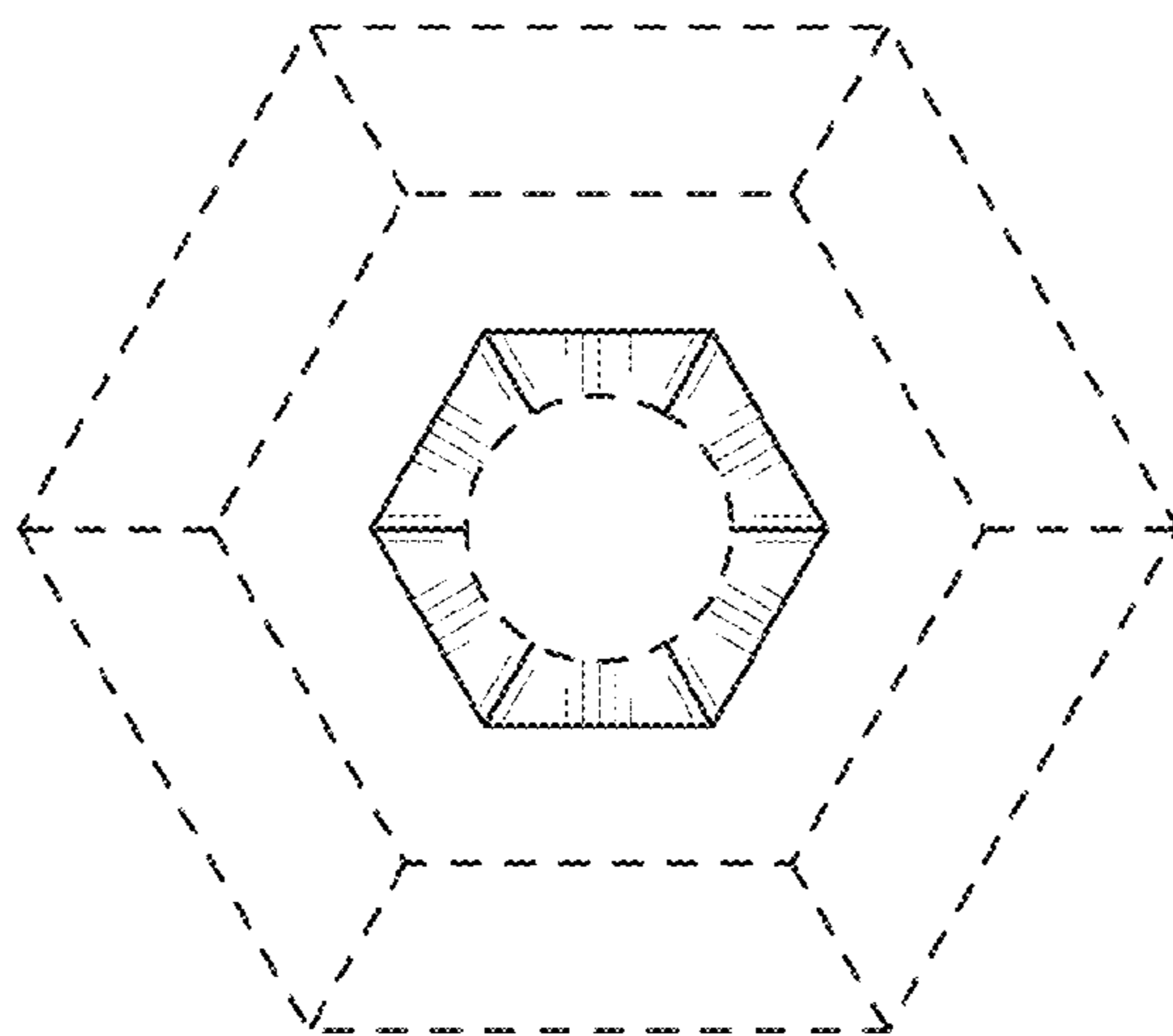


FIG. 2

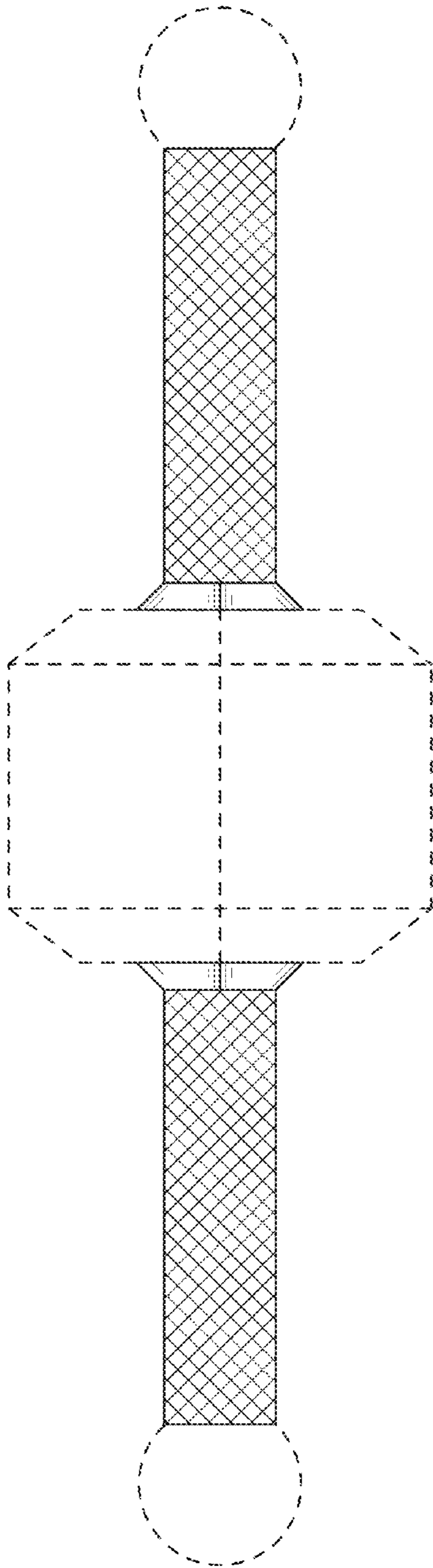


FIG. 3

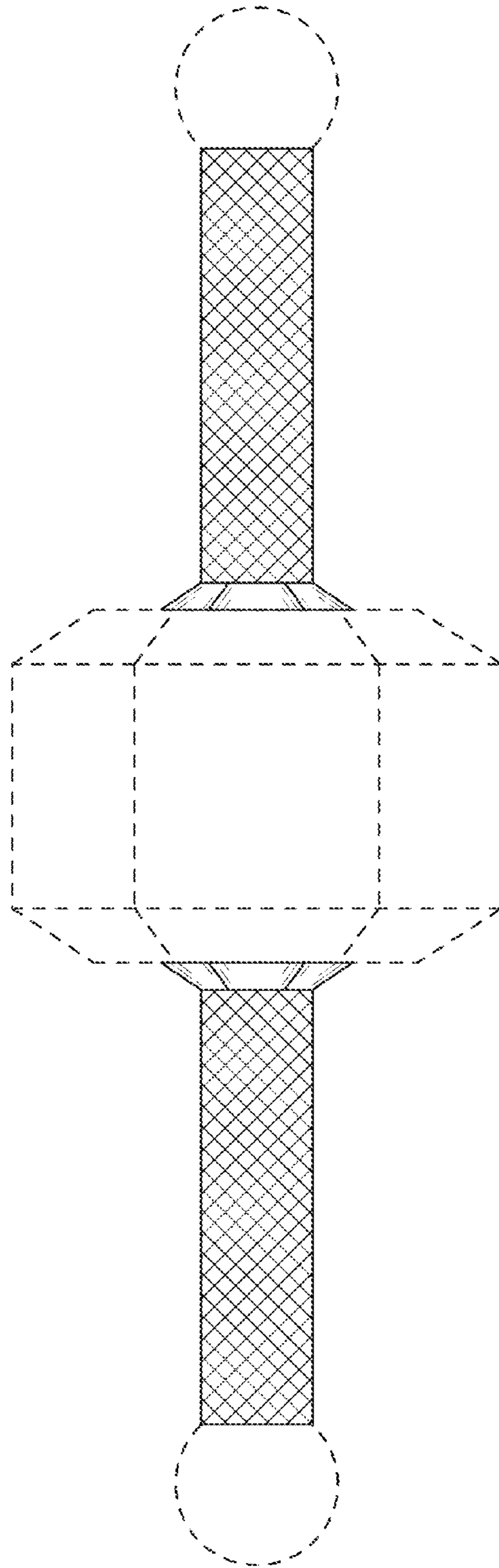


FIG. 4