

US00D696733S

(12) **United States Design Patent**
Mimlitch, III et al.

(10) **Patent No.:** **US D696,733 S**

(45) **Date of Patent:** **** Dec. 31, 2013**

(54) **REEL ASSEMBLY FOR USE WITH A TOY
PLAYSET**

(56) **References Cited**

U.S. PATENT DOCUMENTS

(75) Inventors: **Robert H. Mimlitch, III**, Rowlett, TX (US); **David A. Norman**, Greenville, TX (US); **Douglas Galletti**, Allen, TX (US); **Joel Carter**, Argyle, TX (US); **Gregory Lavender**, Rockwall, TX (US); **Gregory Needel**, Rockwall, TX (US); **Christopher Robert Troyak**, Plano, TX (US); **Jeffrey Russell Waegelin**, Rockwall, TX (US); **Brian Richard Delaney**, Rockwall, TX (US)

4,091,561	A *	5/1978	Kimura	446/137
4,493,669	A *	1/1985	Neuhierl	446/103
4,575,346	A *	3/1986	Ogawa	446/259
5,441,435	A *	8/1995	Shiraishi	446/424
5,593,338	A *	1/1997	Itoh et al.	446/259
D420,712	S *	2/2000	Muldoon	D21/564
D442,648	S *	5/2001	Ohkado et al.	D21/509
7,500,898	B2 *	3/2009	Laurienzo et al.	446/39
8,342,903	B2 *	1/2013	O'Connor et al.	446/444
2006/0046609	A1 *	3/2006	Laurienzo et al.	446/435

* cited by examiner

(73) Assignee: **Innovation First, Inc.**, Greenville, TX (US)

Primary Examiner — Cynthia M Chin

(74) *Attorney, Agent, or Firm* — Adam K. Sacharoff

(**) Term: **14 Years**

(57) **CLAIM**

The ornamental design for a reel assembly for use with a toy playset, as shown and described.

(21) Appl. No.: **29/399,674**

DESCRIPTION

(22) Filed: **Aug. 17, 2011**

(51) **LOC (9) Cl.** **21-01**

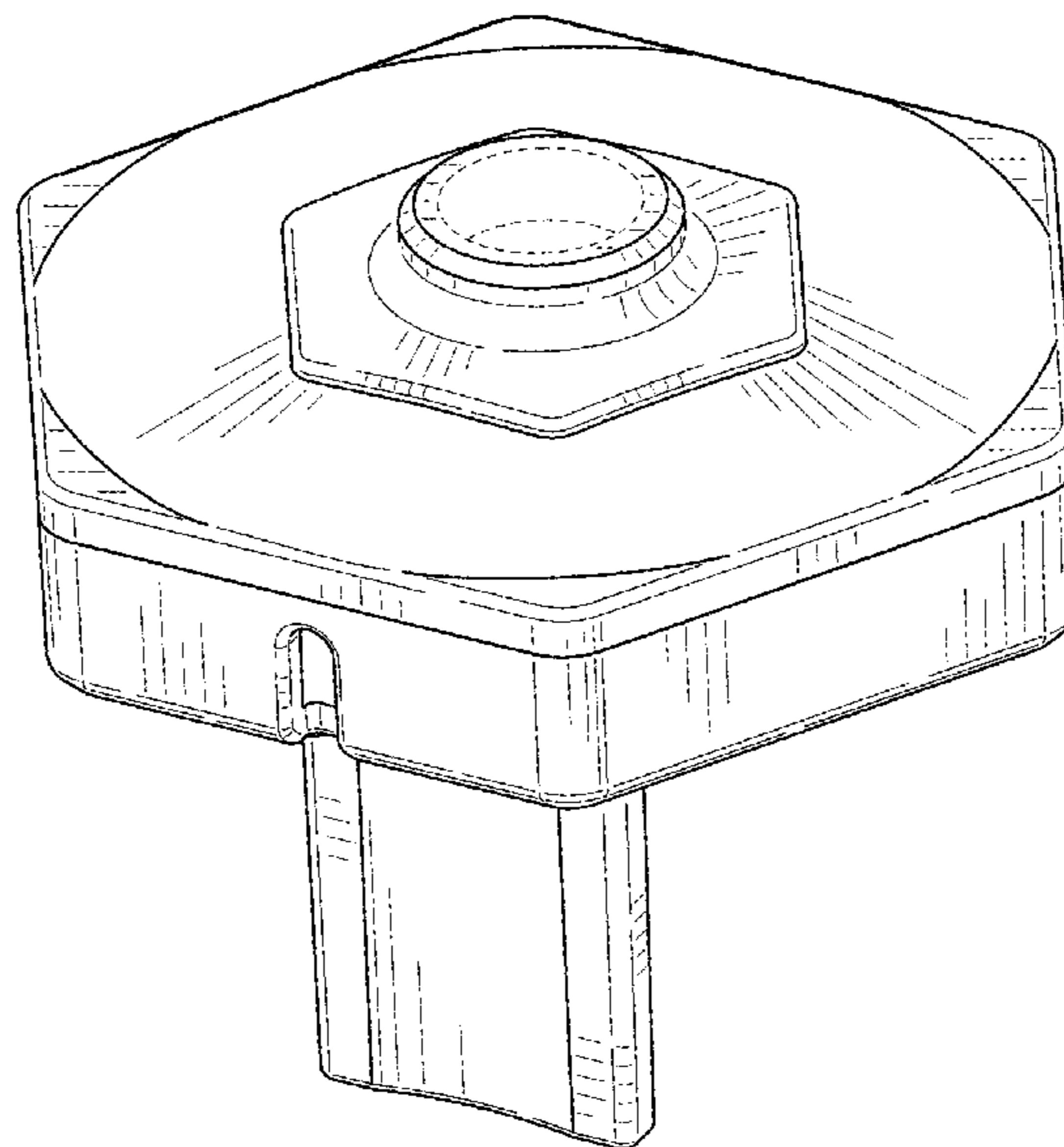
(52) **U.S. Cl.**
USPC **D21/565**; D21/484

(58) **Field of Classification Search**
USPC D21/412, 484, 490, 493, 506, 509, 564, D21/565, 814, 828; 446/168–174, 84, 89, 446/108, 112, 114, 116, 124–128, 429, 446/444–447; 463/58–69; 238/10 R, 238/10 A–10 C, 10 E, 10 F; 104/60, 69

FIG. 1 is a top perspective view of the reel assembly for use with a toy playset;
FIG. 2 is a bottom perspective view of FIG. 1;
FIG. 3 is a back side view of FIG. 1;
FIG. 4 is a front side view of FIG. 1;
FIG. 5 is a right side view of FIG. 1;
FIG. 6 is a left side view of FIG. 1;
FIG. 7 is a bottom side view of FIG. 1; and,
FIG. 8 is a top side view of FIG. 1.

See application file for complete search history.

1 Claim, 8 Drawing Sheets



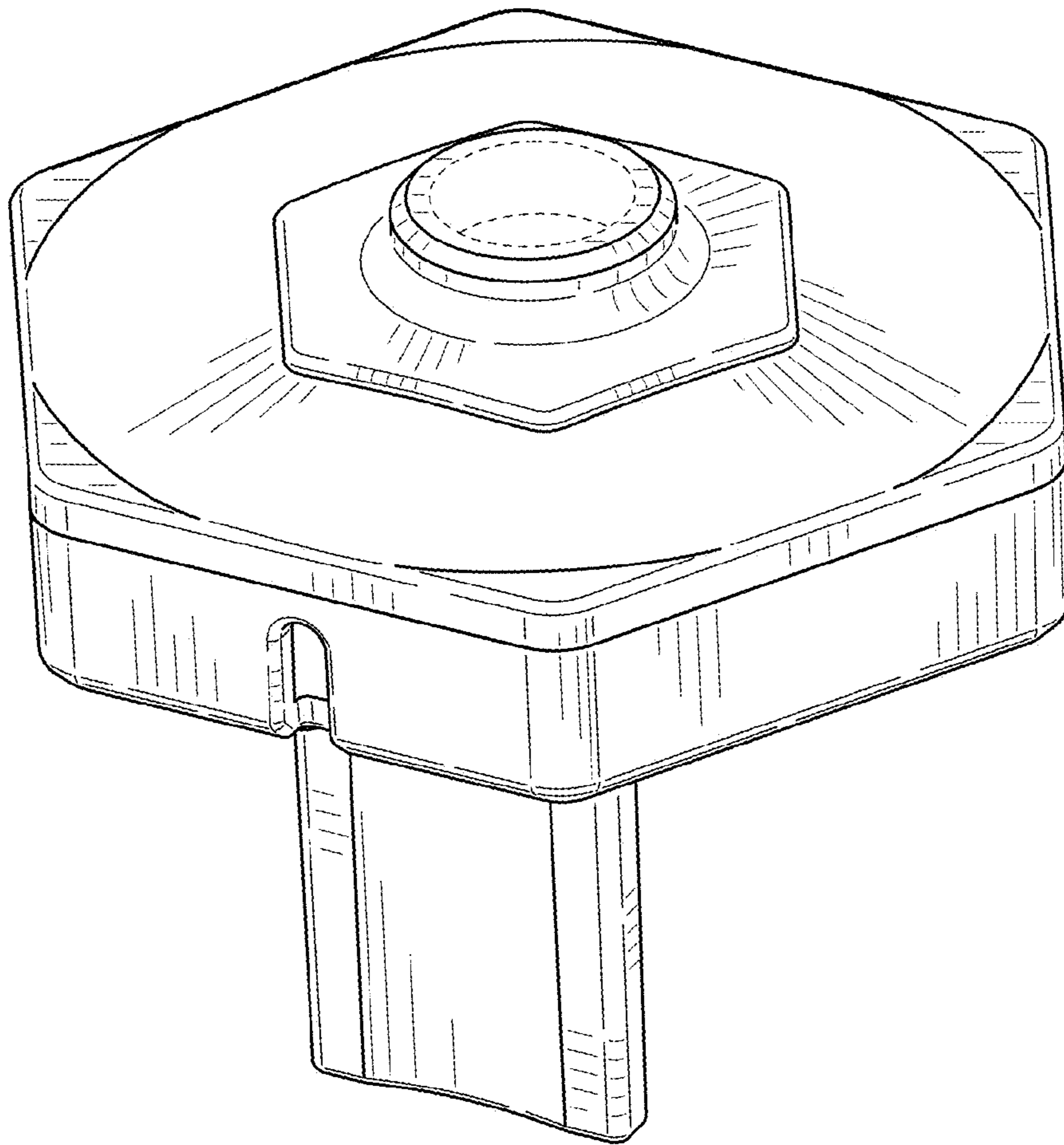


FIGURE 1

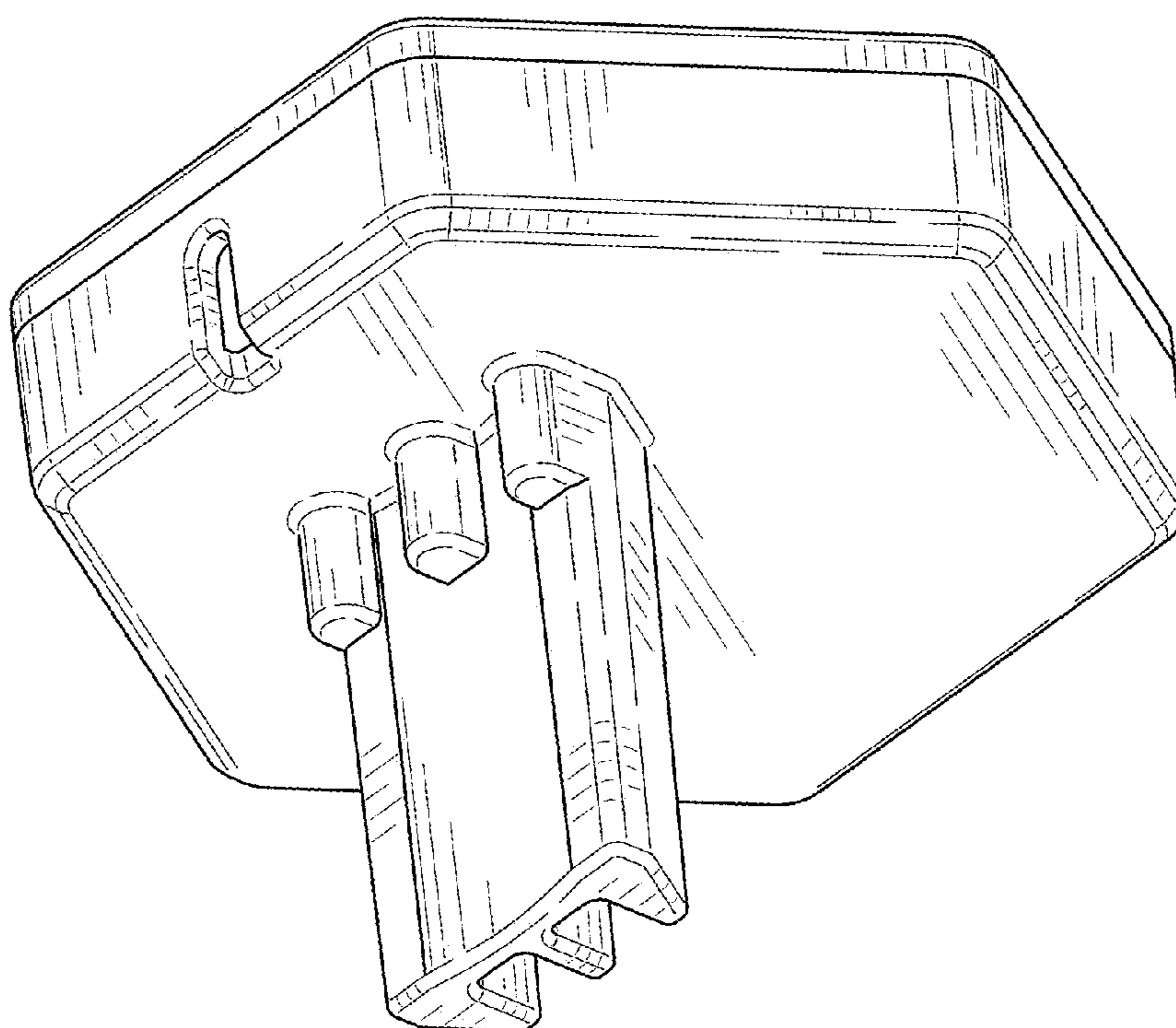


FIGURE 2

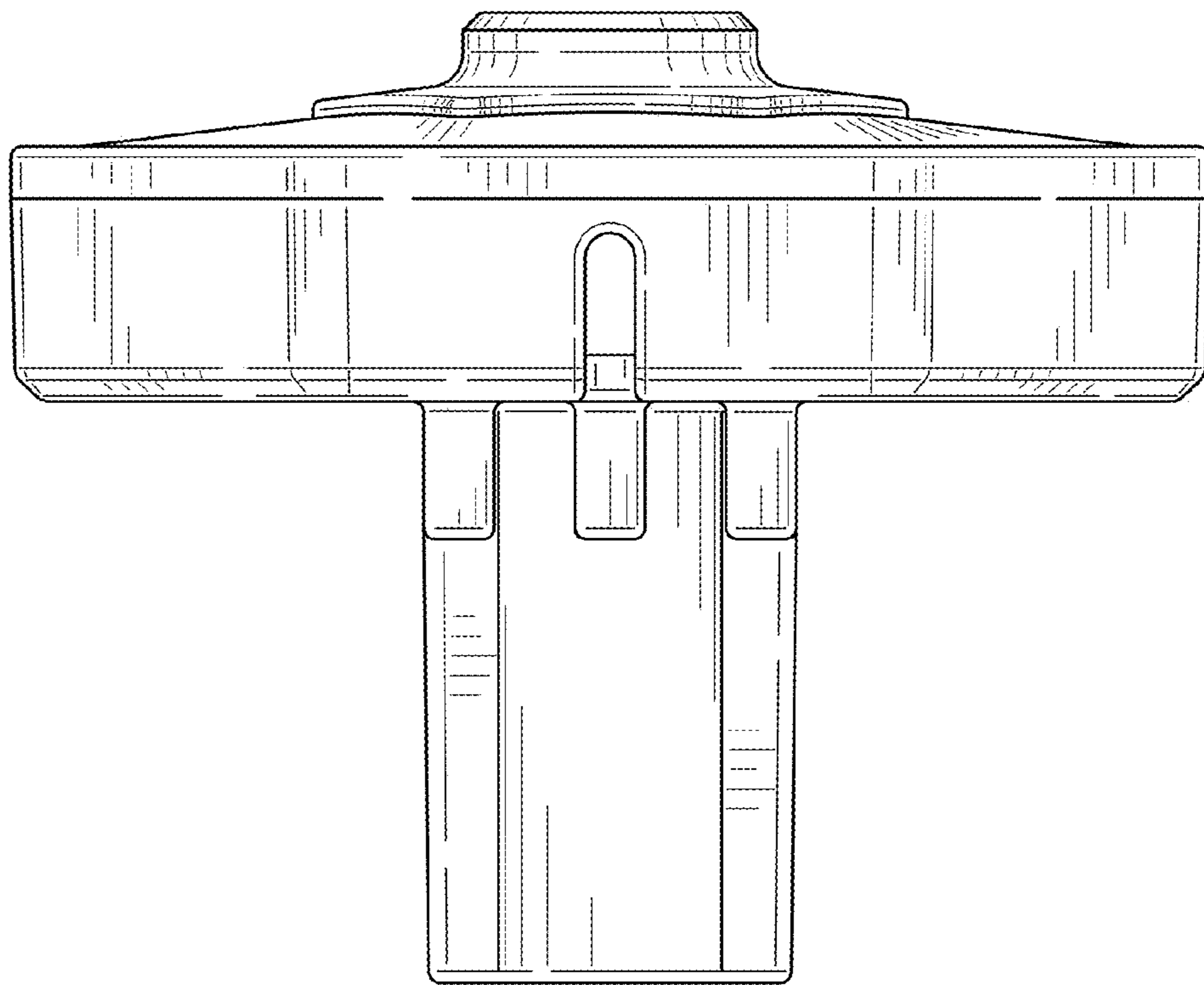


FIGURE 3

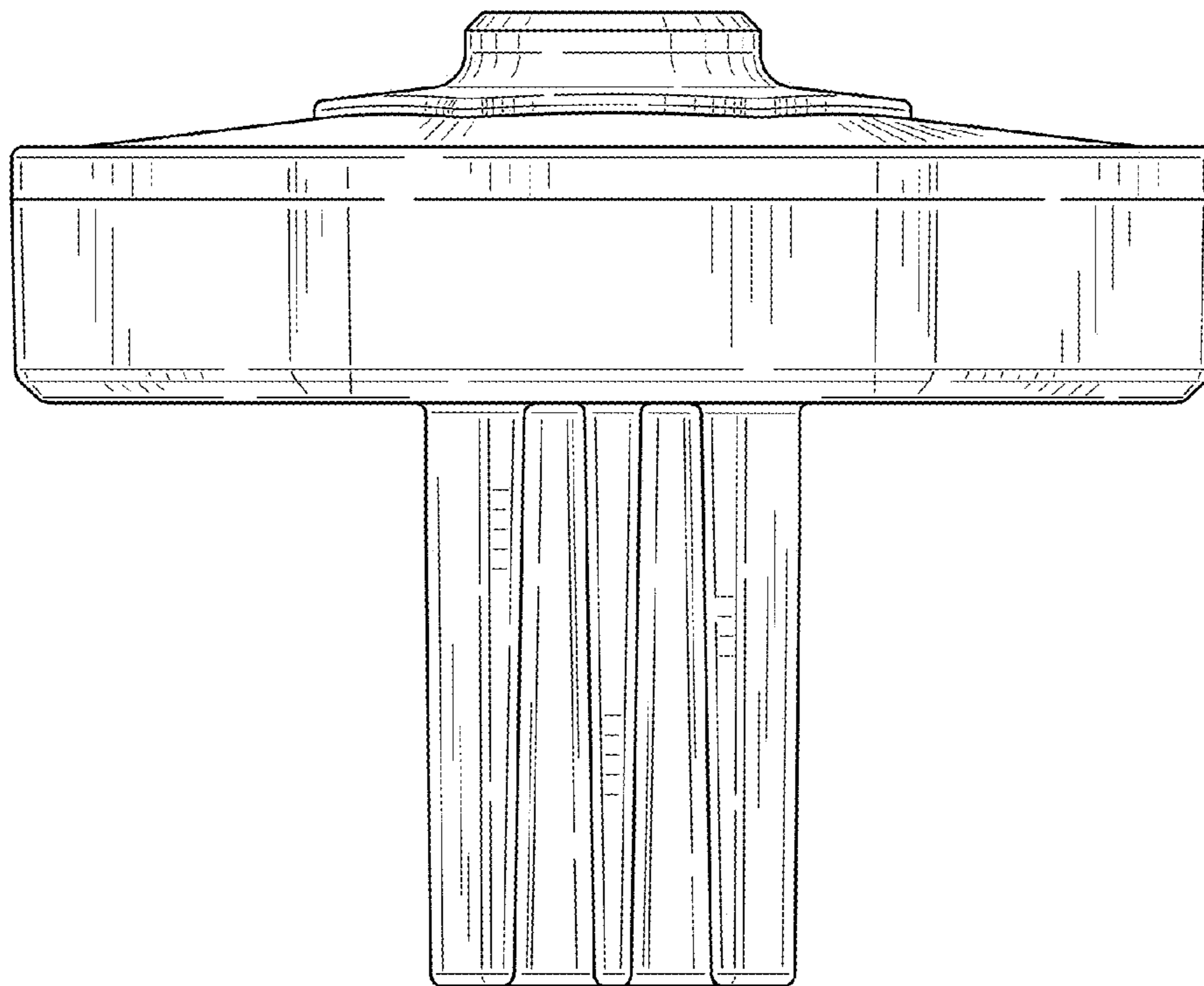


FIGURE 4

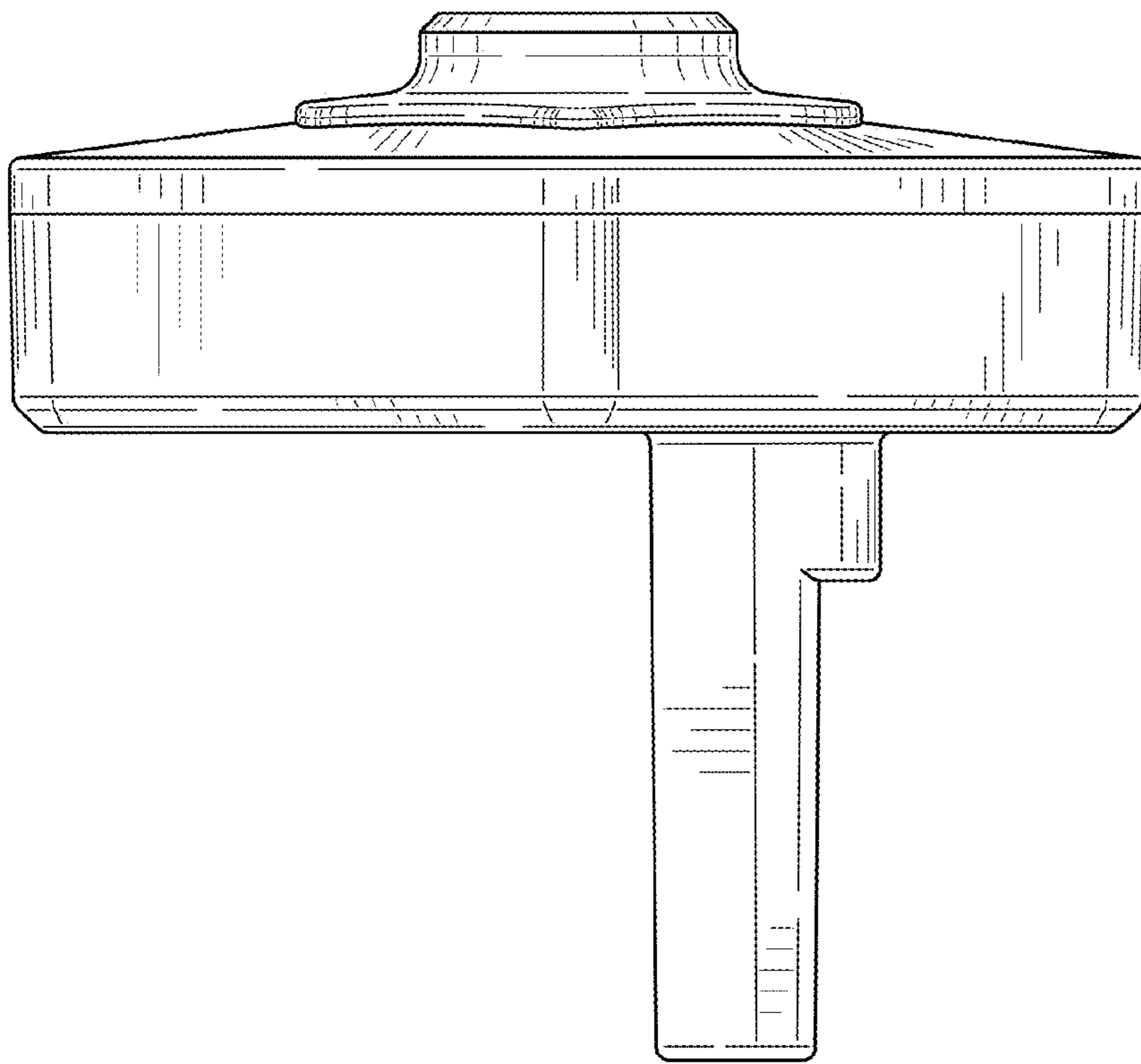


FIGURE 5

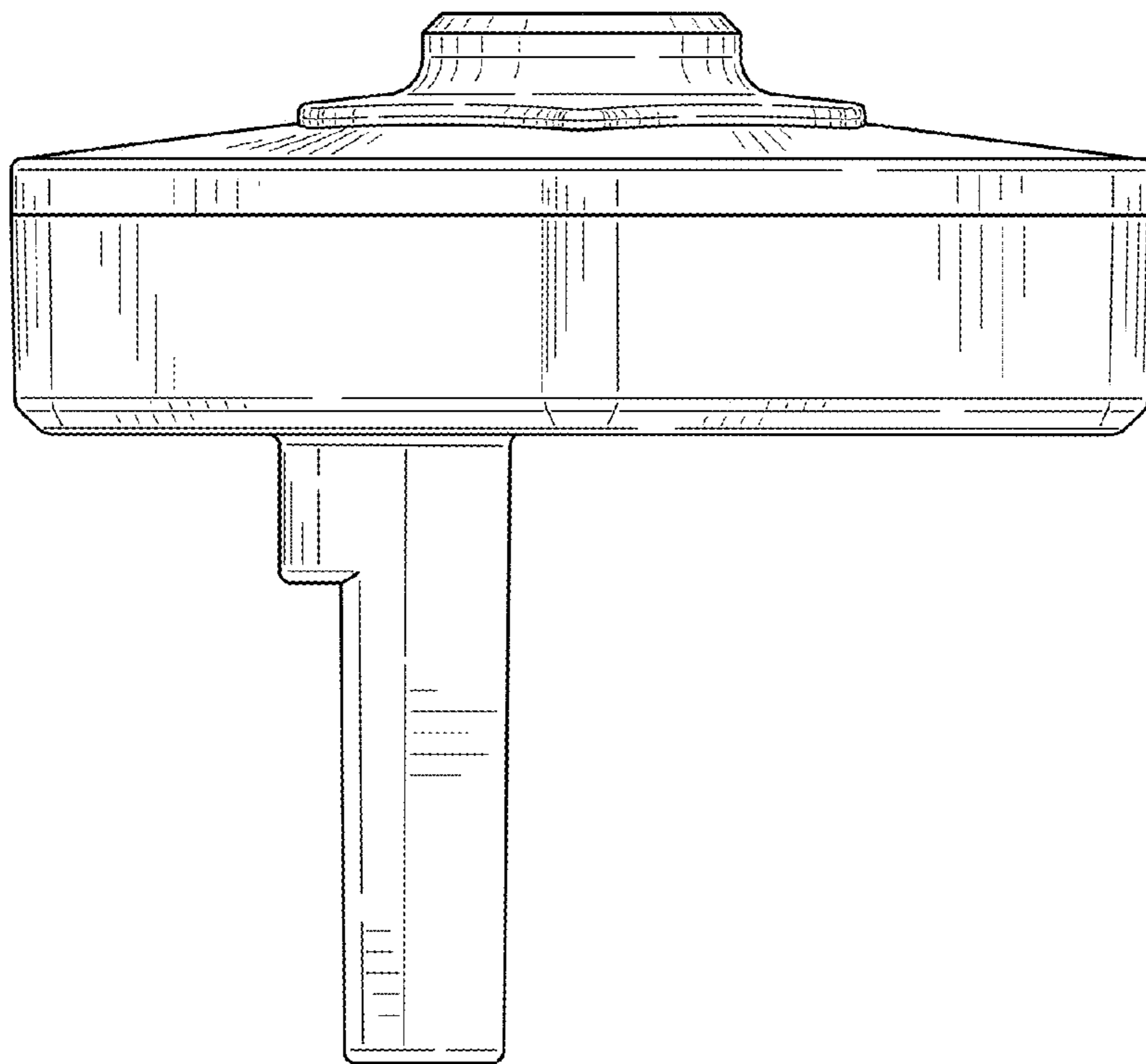


FIGURE 6

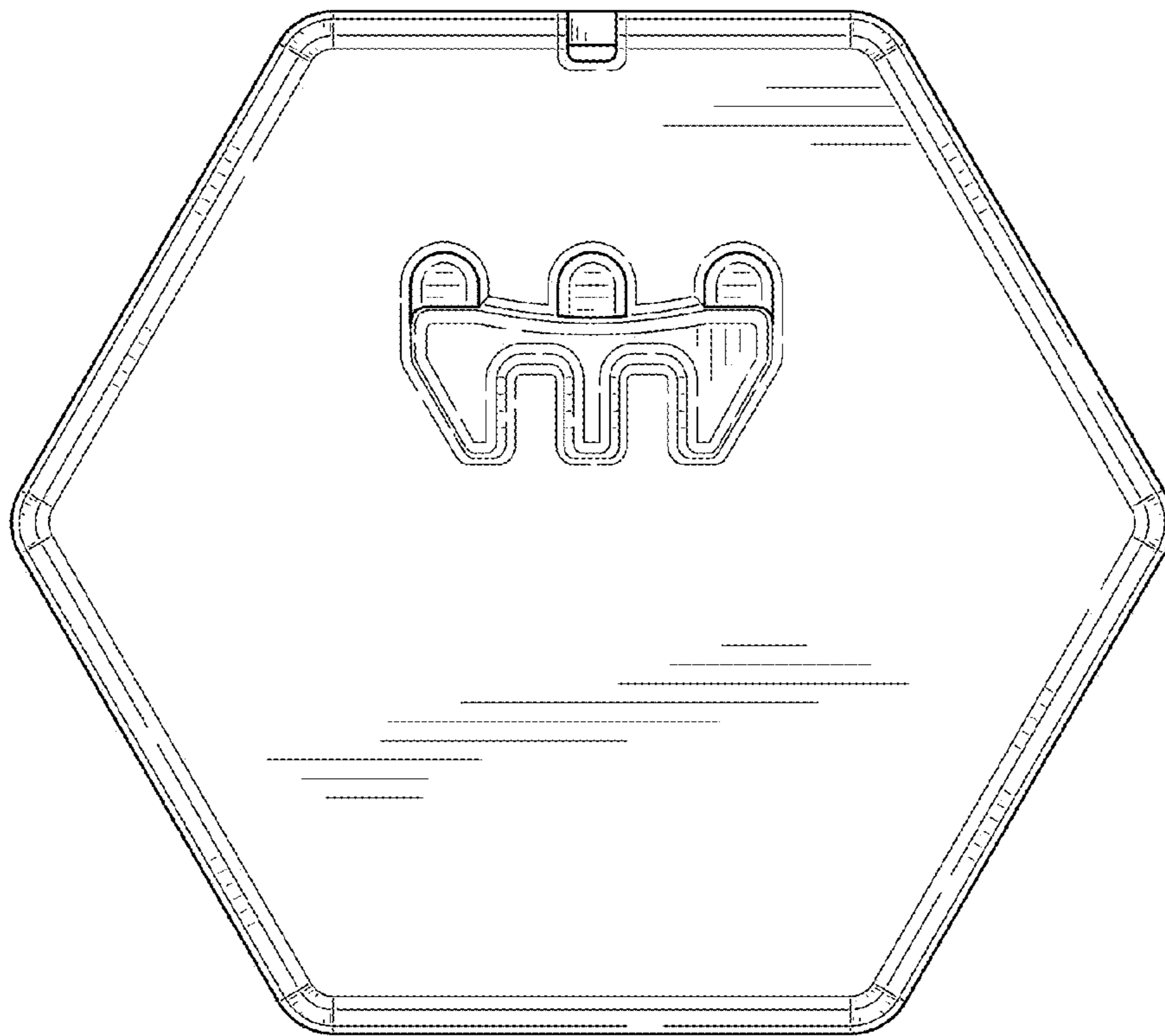


FIGURE 7

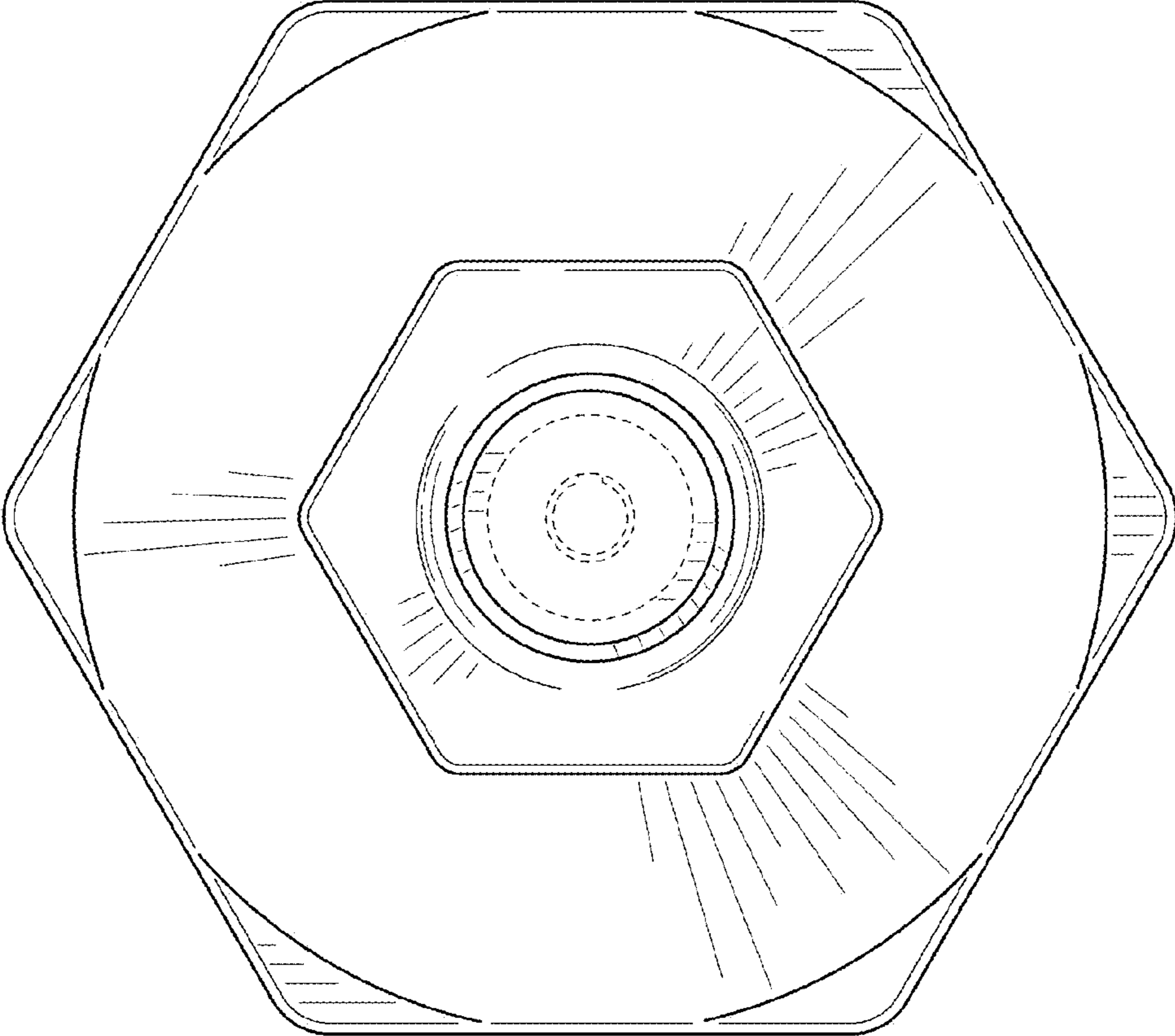


FIGURE 8