

US00D696732S

(12) **United States Design Patent**
Mimlitch, III et al.

(10) **Patent No.:** **US D696,732 S**
(45) **Date of Patent:** **** Dec. 31, 2013**

(54) **PEG FLAG PART OF A PLAYSET**

(56) **References Cited**

(75) Inventors: **Robert H. Mimlitch, III**, Rowlett, TX (US); **David A. Norman**, Greenville, TX (US); **Douglas Galletti**, Allen, TX (US); **Joel Carter**, Argyle, TX (US); **Gregory Lavender**, Rockwall, TX (US); **Gregory Needel**, Rockwall, TX (US); **Christopher Robert Troyak**, Plano, TX (US); **Jeffrey Russell Waegelin**, Rockwall, TX (US); **Brian Richard Delaney**, Rockwall, TX (US)

U.S. PATENT DOCUMENTS

3,502,332	A *	3/1970	Wolf	463/69
4,249,733	A *	2/1981	Eddins et al.	463/69
7,618,302	B2 *	11/2009	Collins et al.	446/174
7,857,679	B2 *	12/2010	O'Connor et al.	446/429
8,256,721	B2 *	9/2012	O'Connor et al.	246/415 A

* cited by examiner

Primary Examiner — Cynthia M Chin
(74) *Attorney, Agent, or Firm* — Adam K. Sacharoff

(73) Assignee: **Innovation First, Inc.**, Greenville, TX (US)

(57) **CLAIM**
The ornamental design for a peg flag part of a playset, as shown and described.

(**) Term: **14 Years**

DESCRIPTION

(21) Appl. No.: **29/398,617**

FIG. 1 is a top perspective view of the peg flag part of a playset;
FIG. 2 is a bottom perspective view of FIG. 1;
FIG. 3 is a top view of FIG. 1;
FIG. 4 is a bottom view of FIG. 1;
FIG. 5 is a front side view of FIG. 1, the back side view being a mirror image thereof;
FIG. 6 is a right side view of FIG. 1;
FIG. 7 is a left side view of FIG. 1;
FIG. 8 is a top perspective view of the peg flag part of a playset showing the components separated;
FIG. 9 is a bottom perspective view of FIG. 8;
FIG. 10 is a top view of FIG. 8;
FIG. 11 is a bottom view of FIG. 8;
FIG. 12 is a front side view of FIG. 8, the back side view being a mirror image thereof;
FIG. 13 is a right side view of FIG. 8; and,
FIG. 14 is a left side view of FIG. 8.

(22) Filed: **Aug. 2, 2011**

(51) **LOC (9) Cl.** **21-01**

(52) **U.S. Cl.**
USPC **D21/565**

(58) **Field of Classification Search**
USPC D21/412, 484, 490, 493, 506, 509, 564, D21/565, 814, 828; 446/168-174, 84, 89, 446/108, 112, 114, 116, 124-128, 429, 446/444-447; 463/58-69; 238/10 R, 238/10 A-10 C, 10 E, 10 F; 104/60, 69

See application file for complete search history.

1 Claim, 14 Drawing Sheets

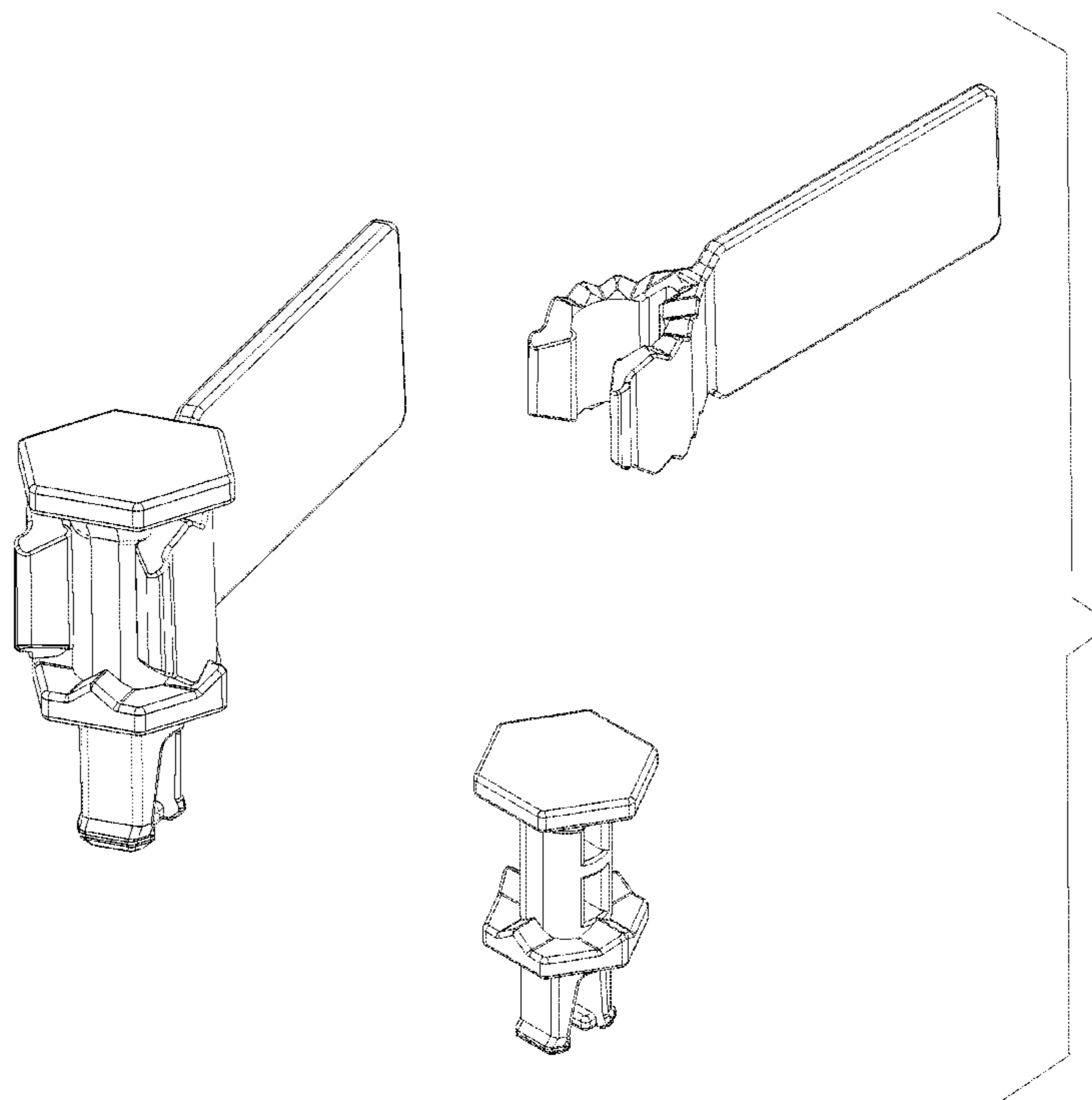


FIGURE 1

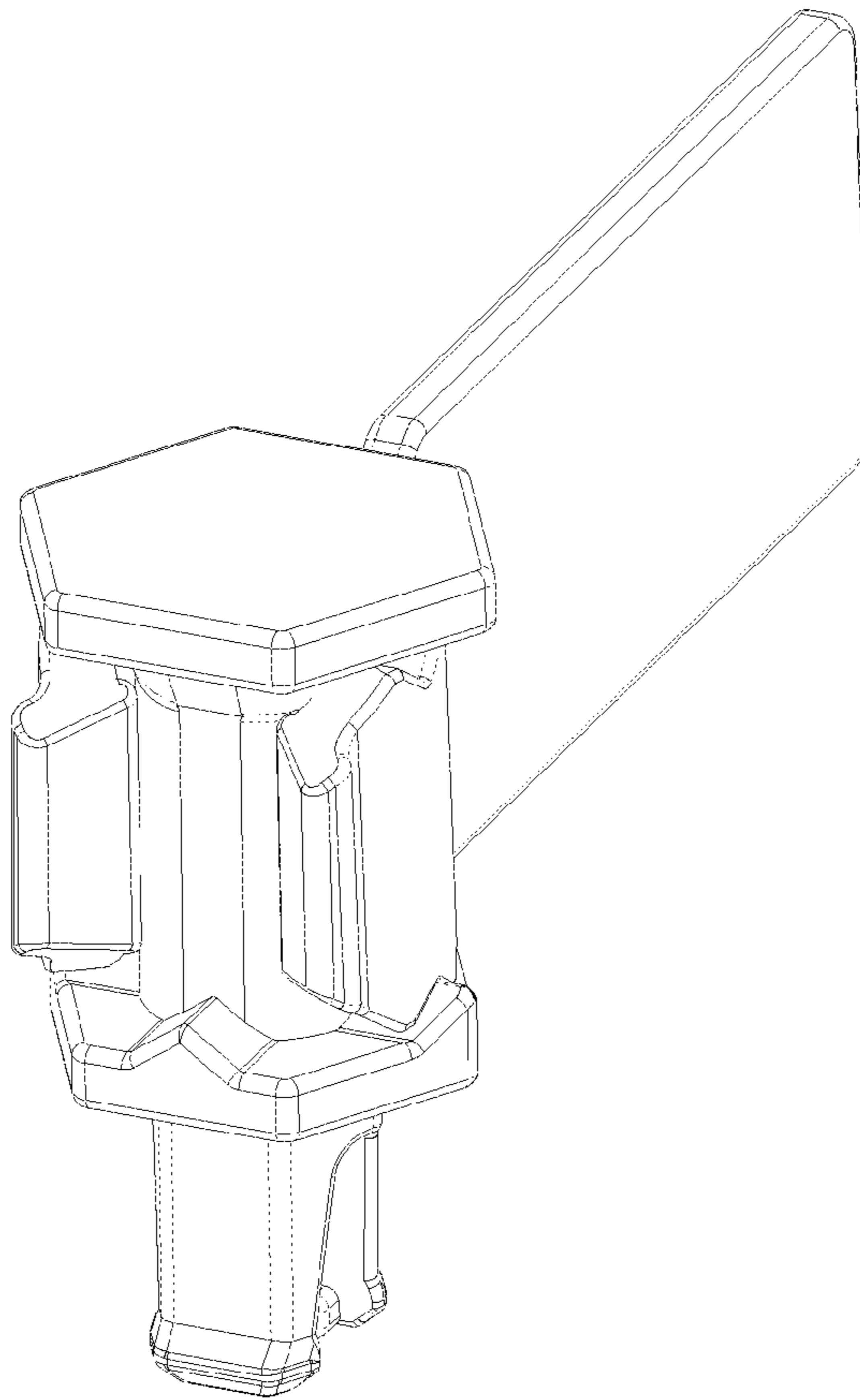


FIGURE 2

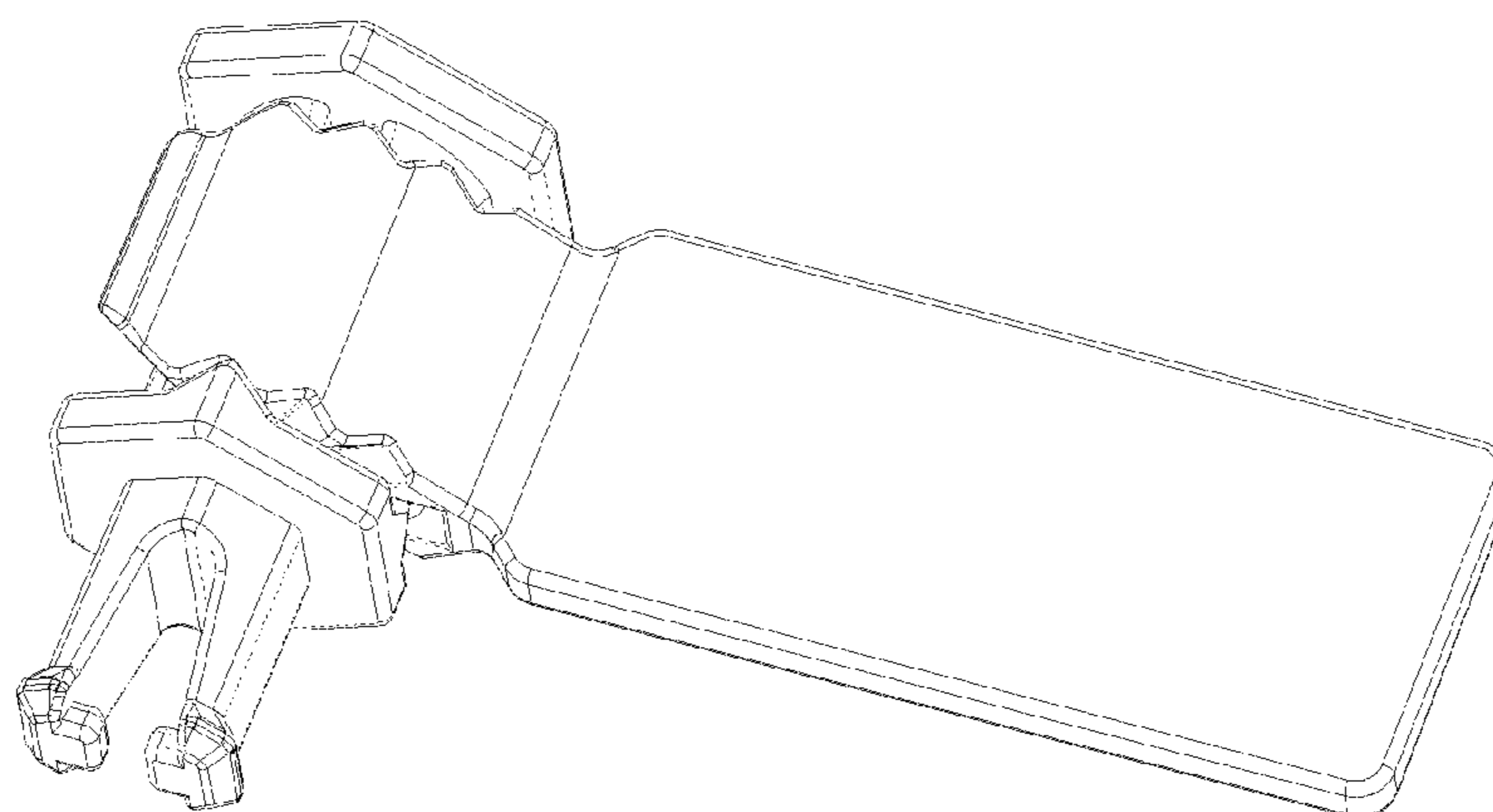


FIGURE 3

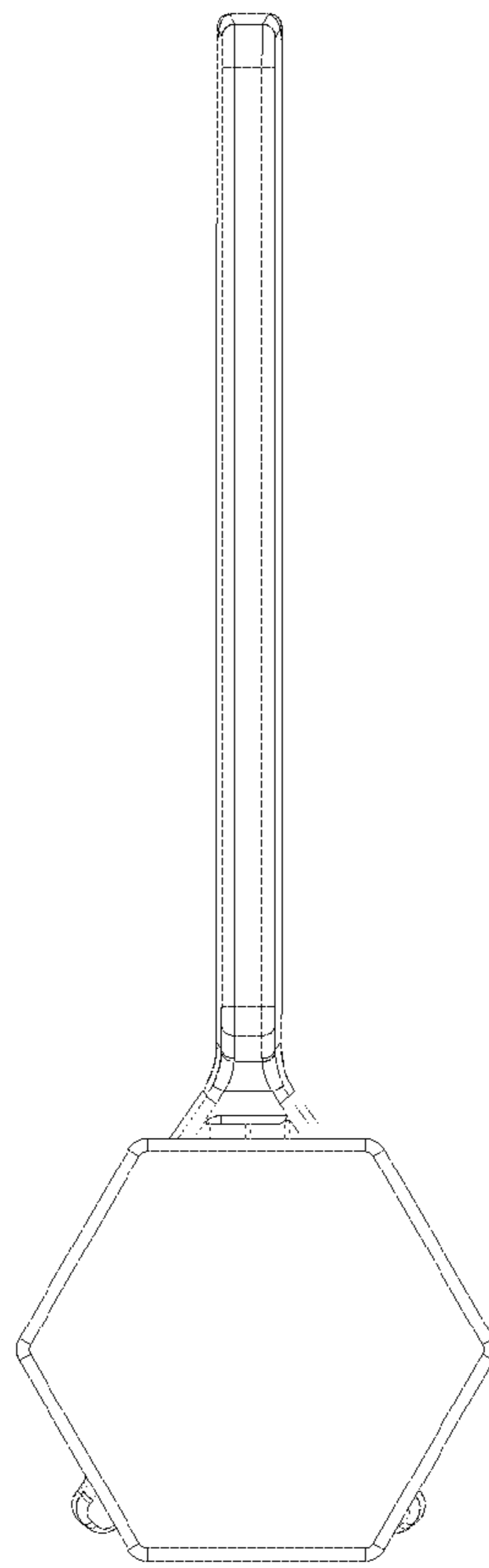


FIGURE 4

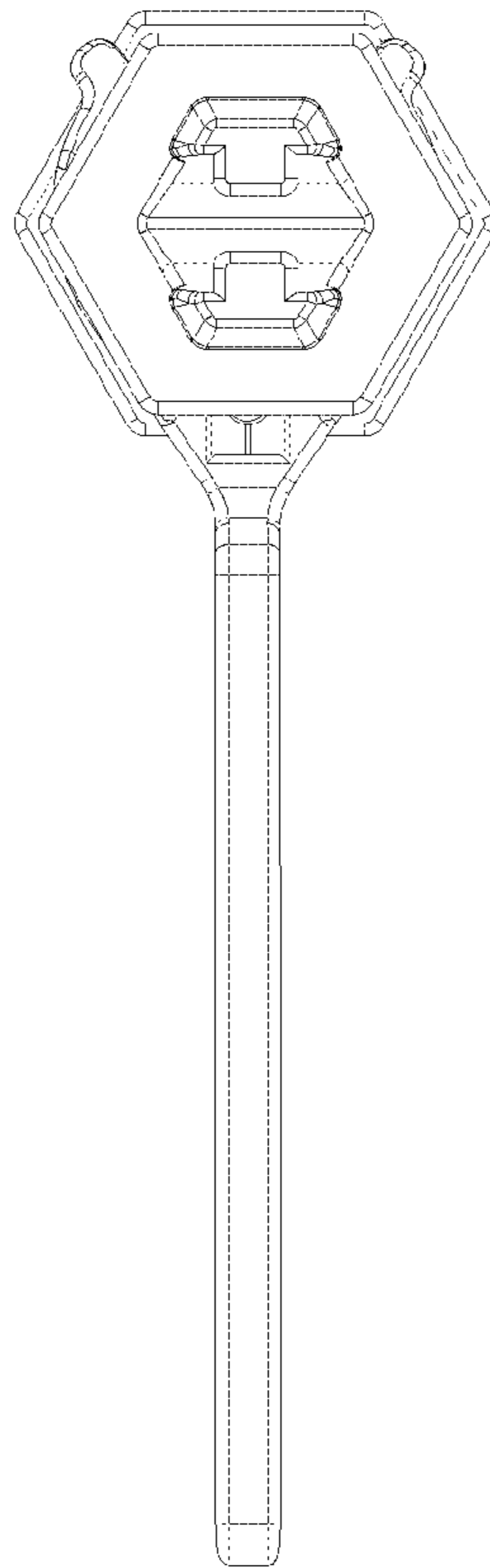


FIGURE 5

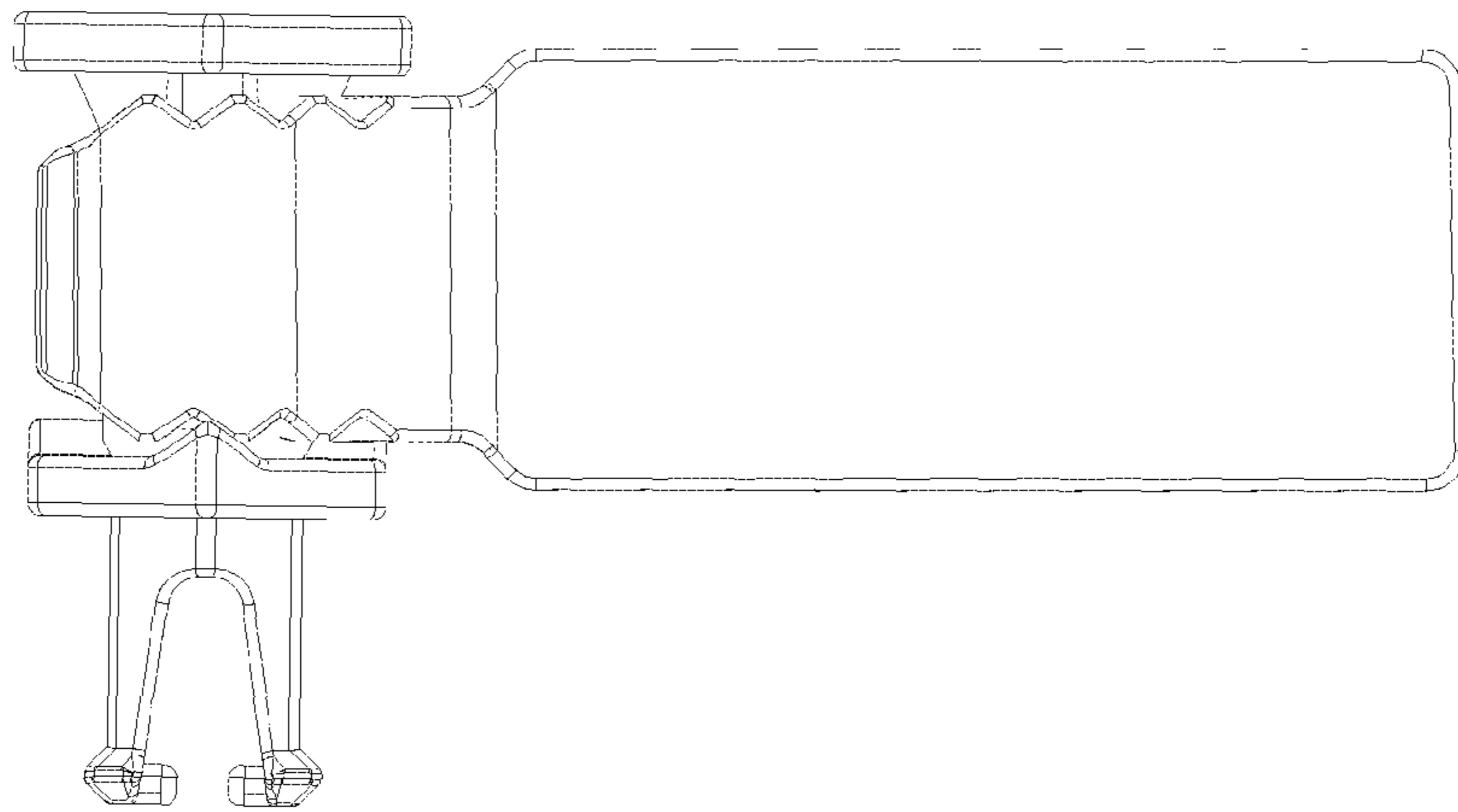


FIGURE 6

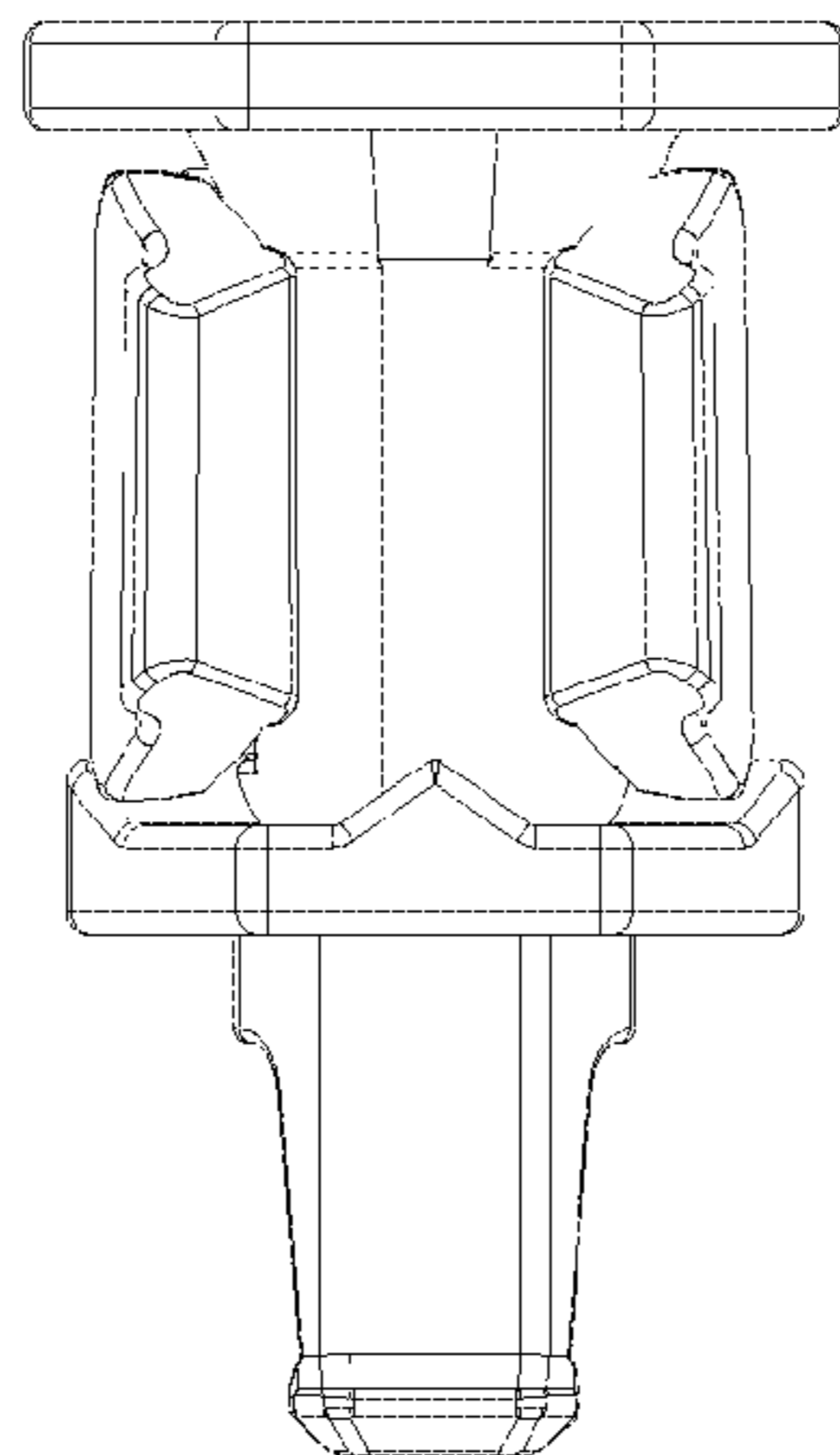
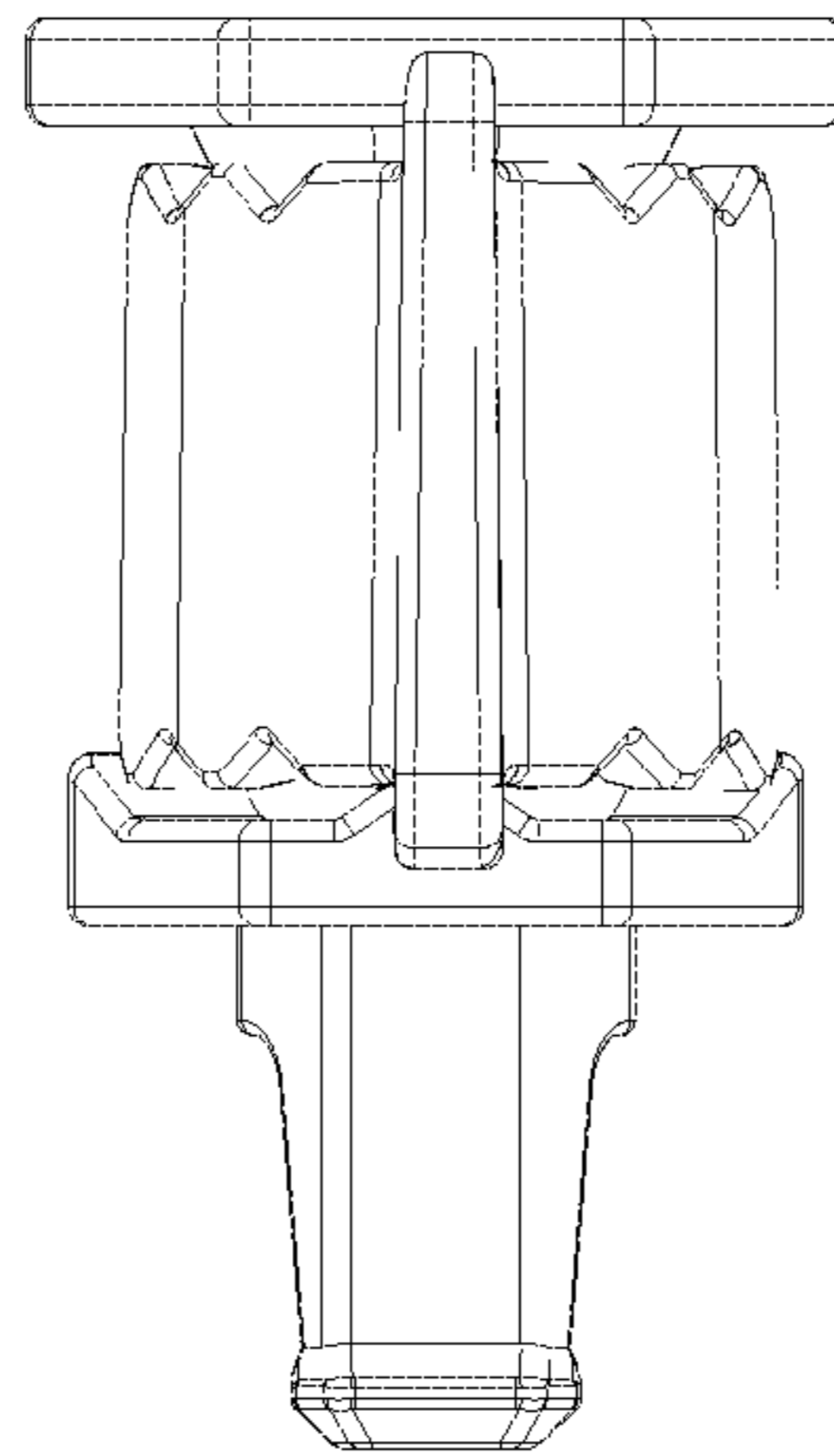


FIGURE 7



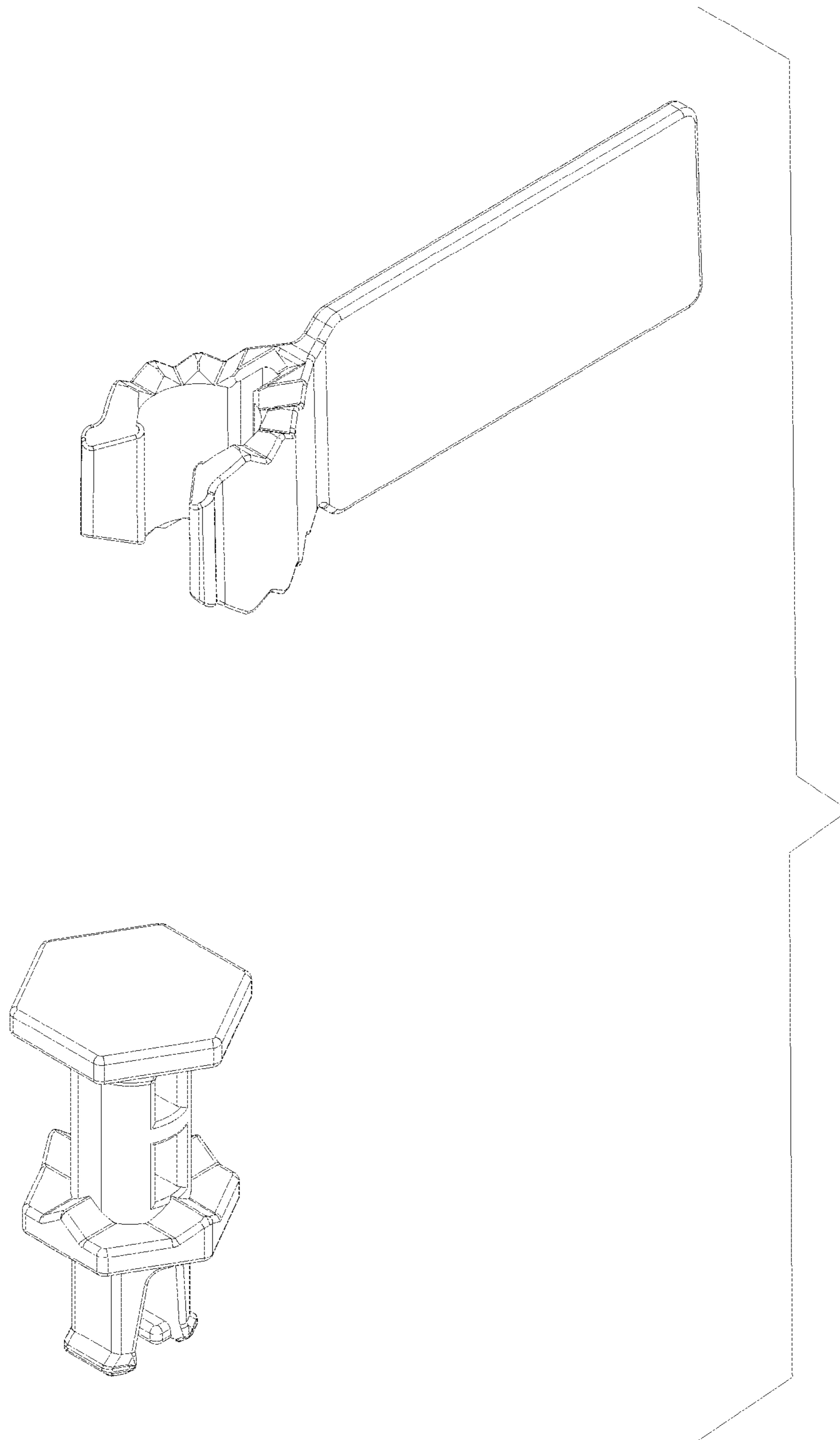


FIGURE 8

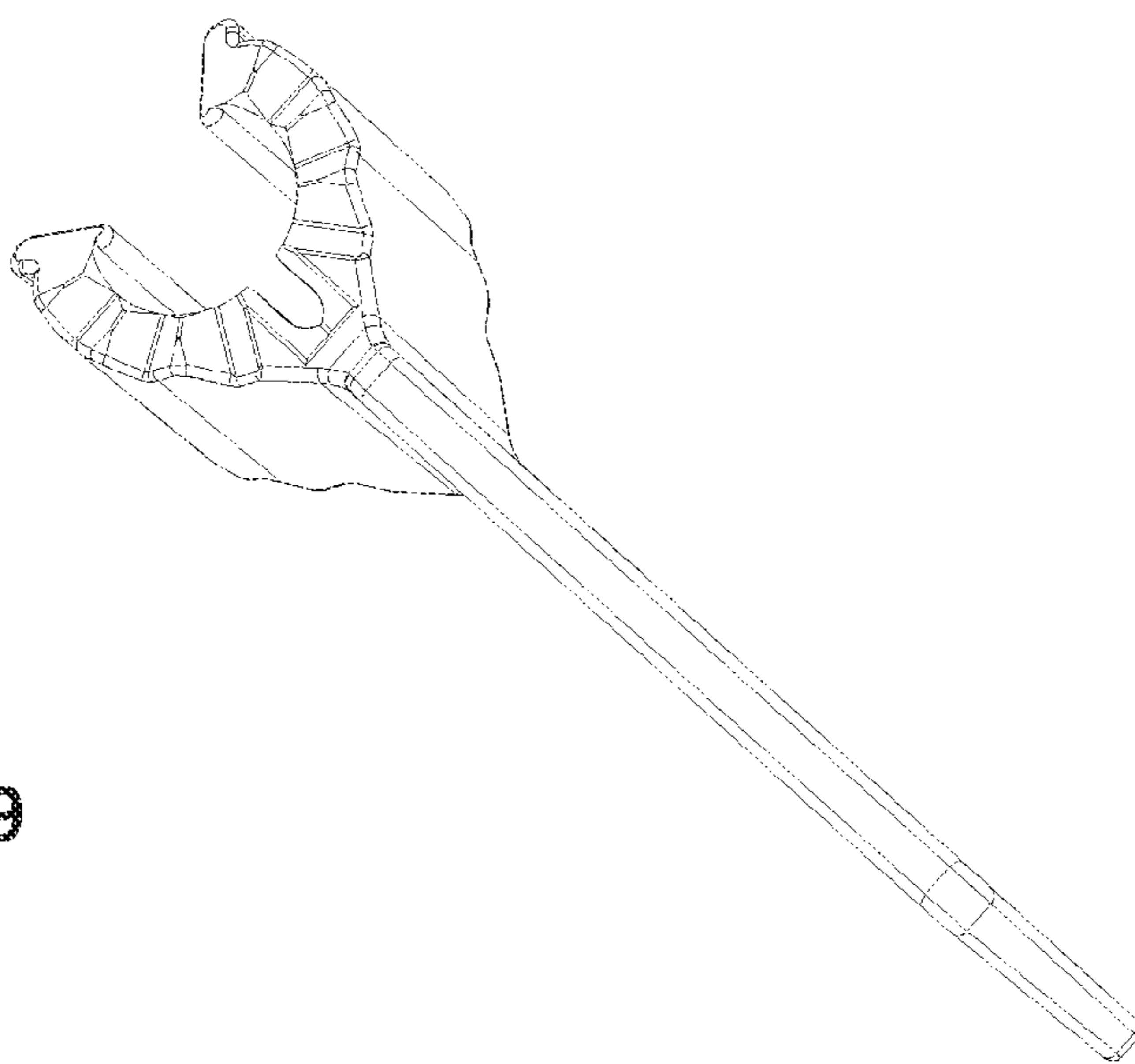
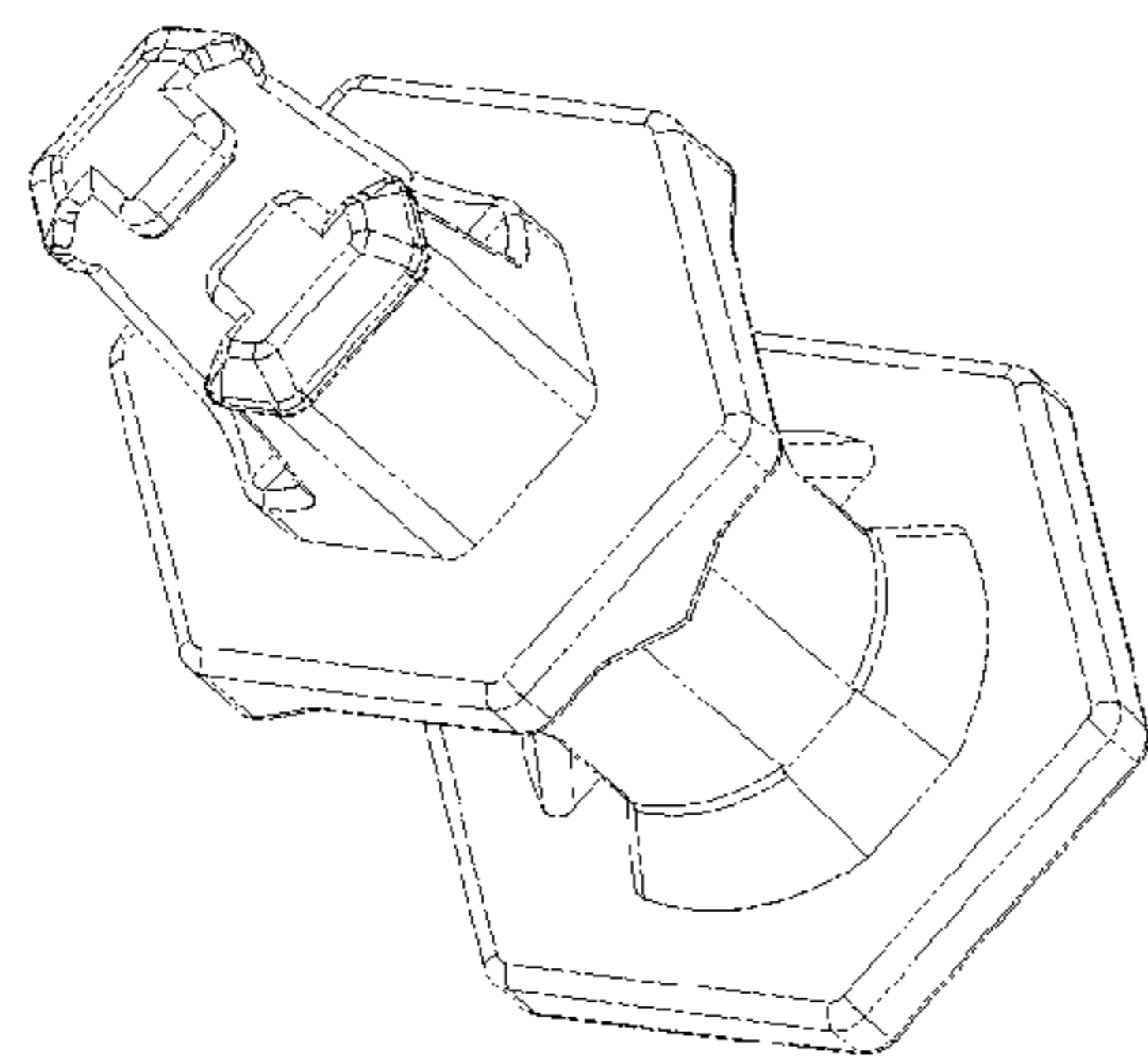
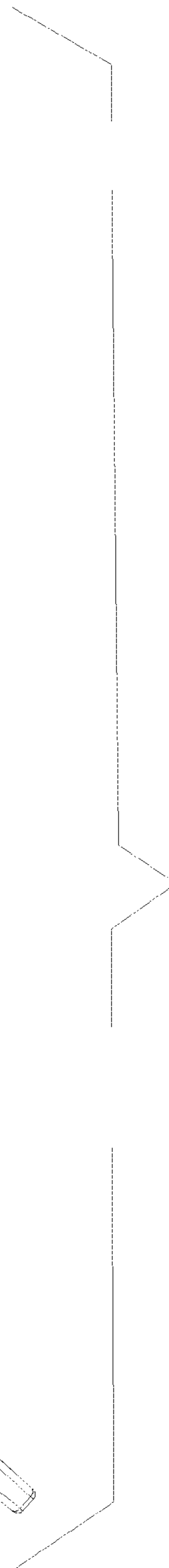


FIGURE 9



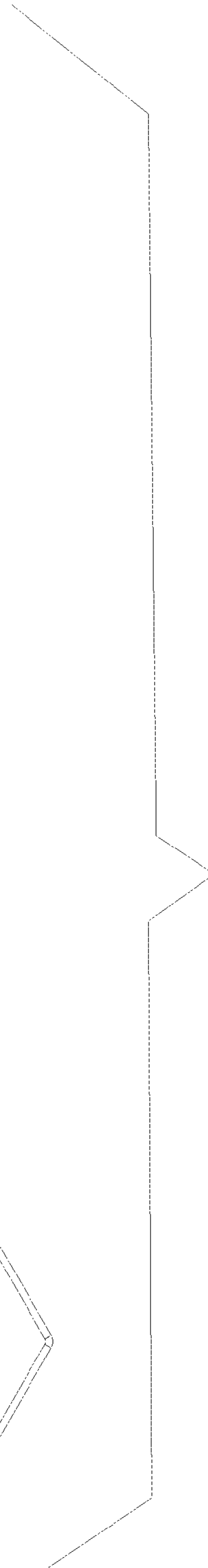
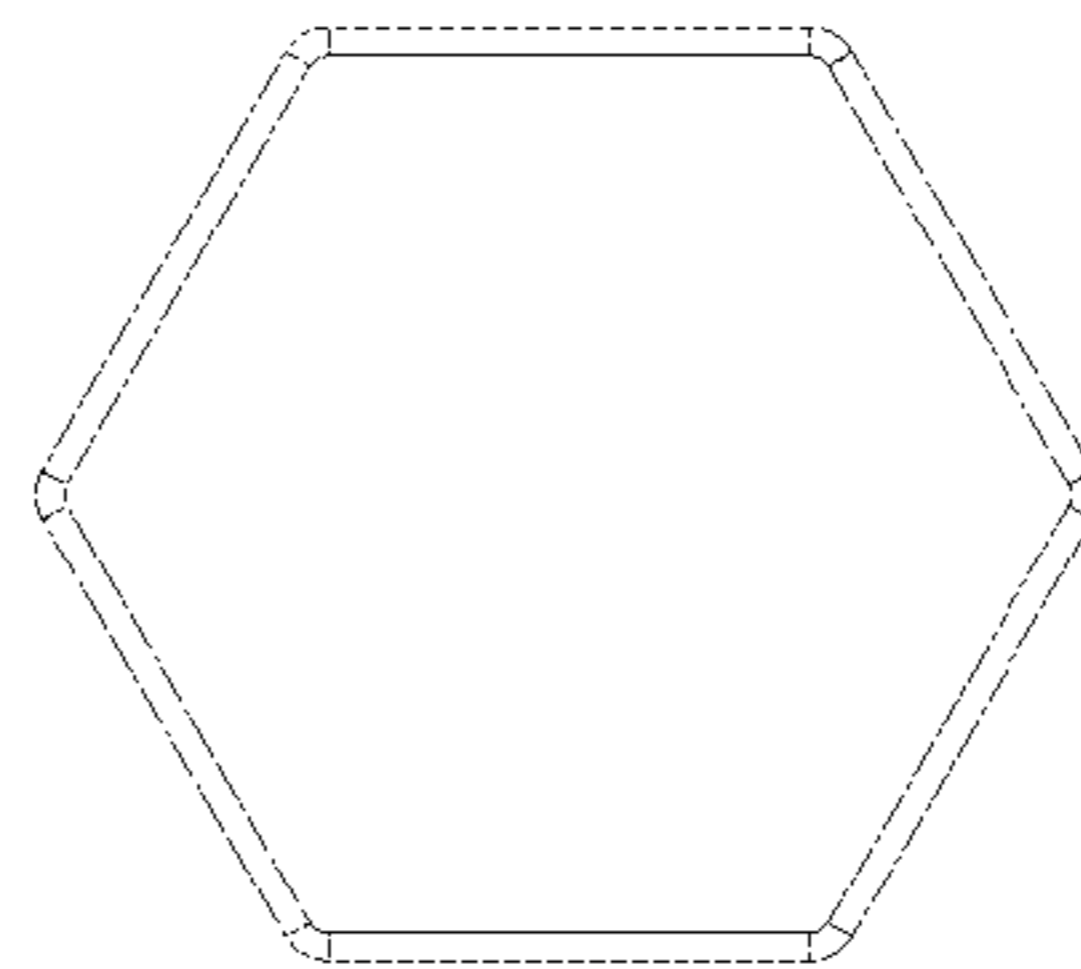
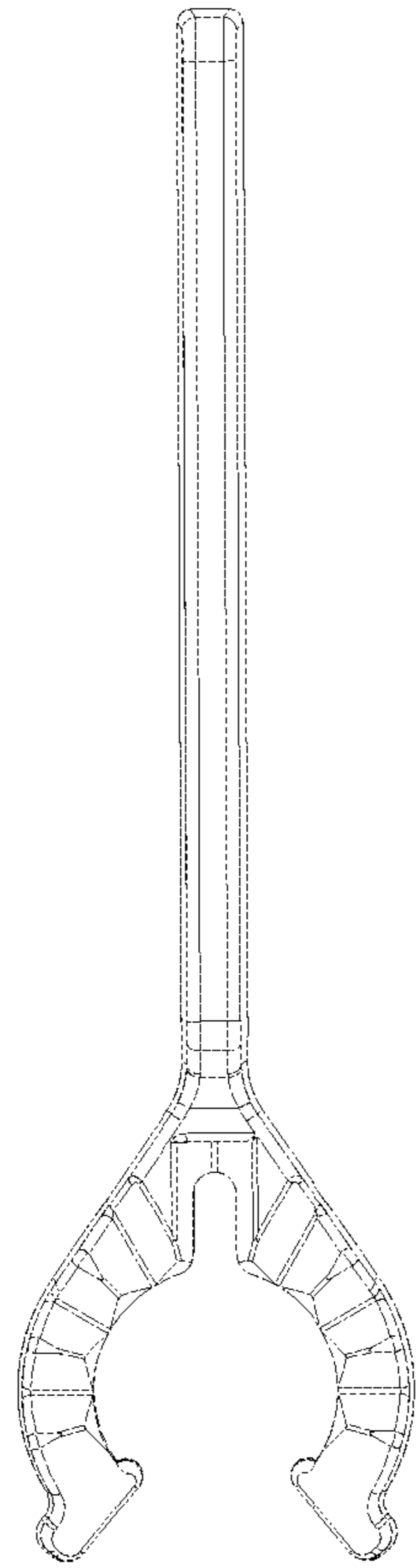


FIGURE 10

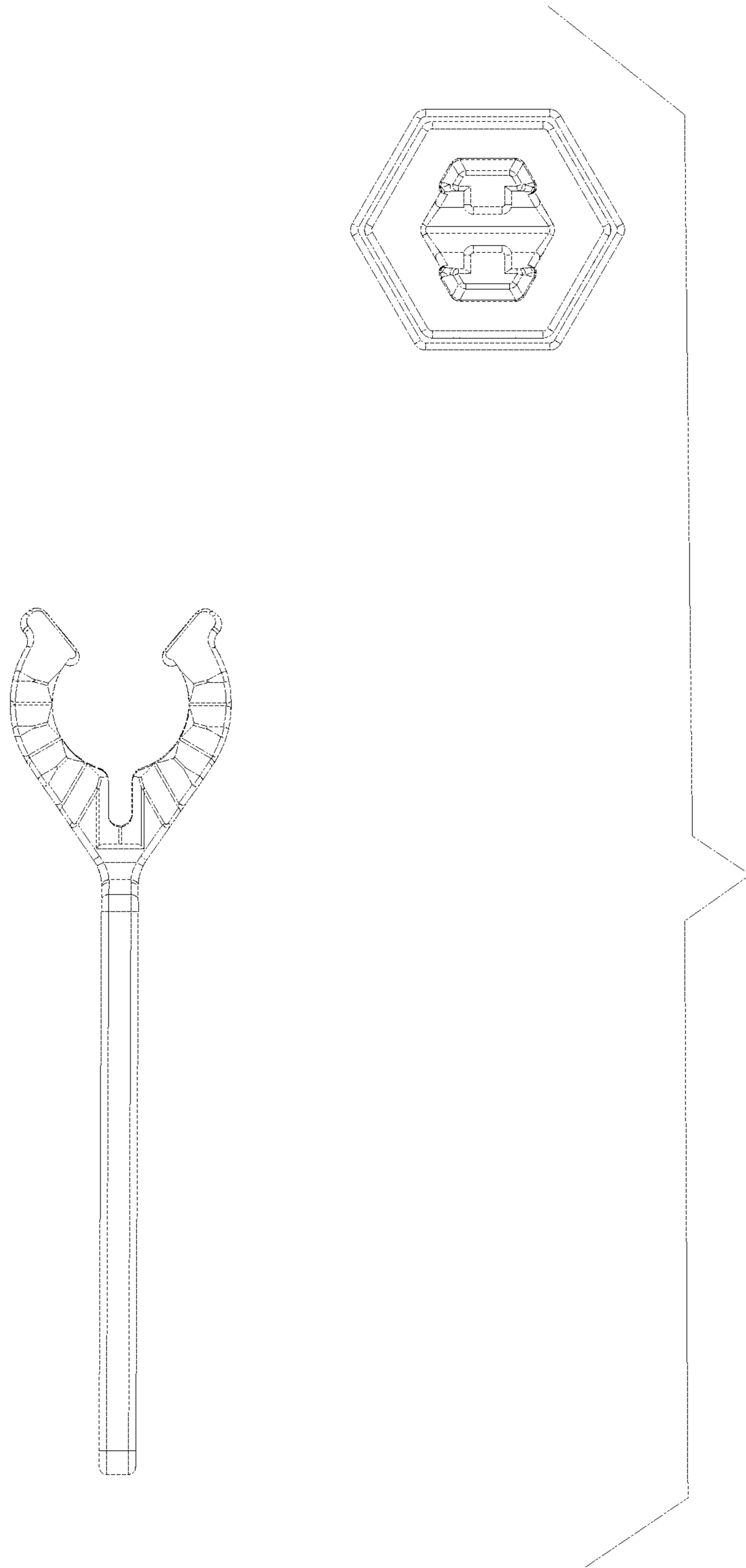


FIGURE 11

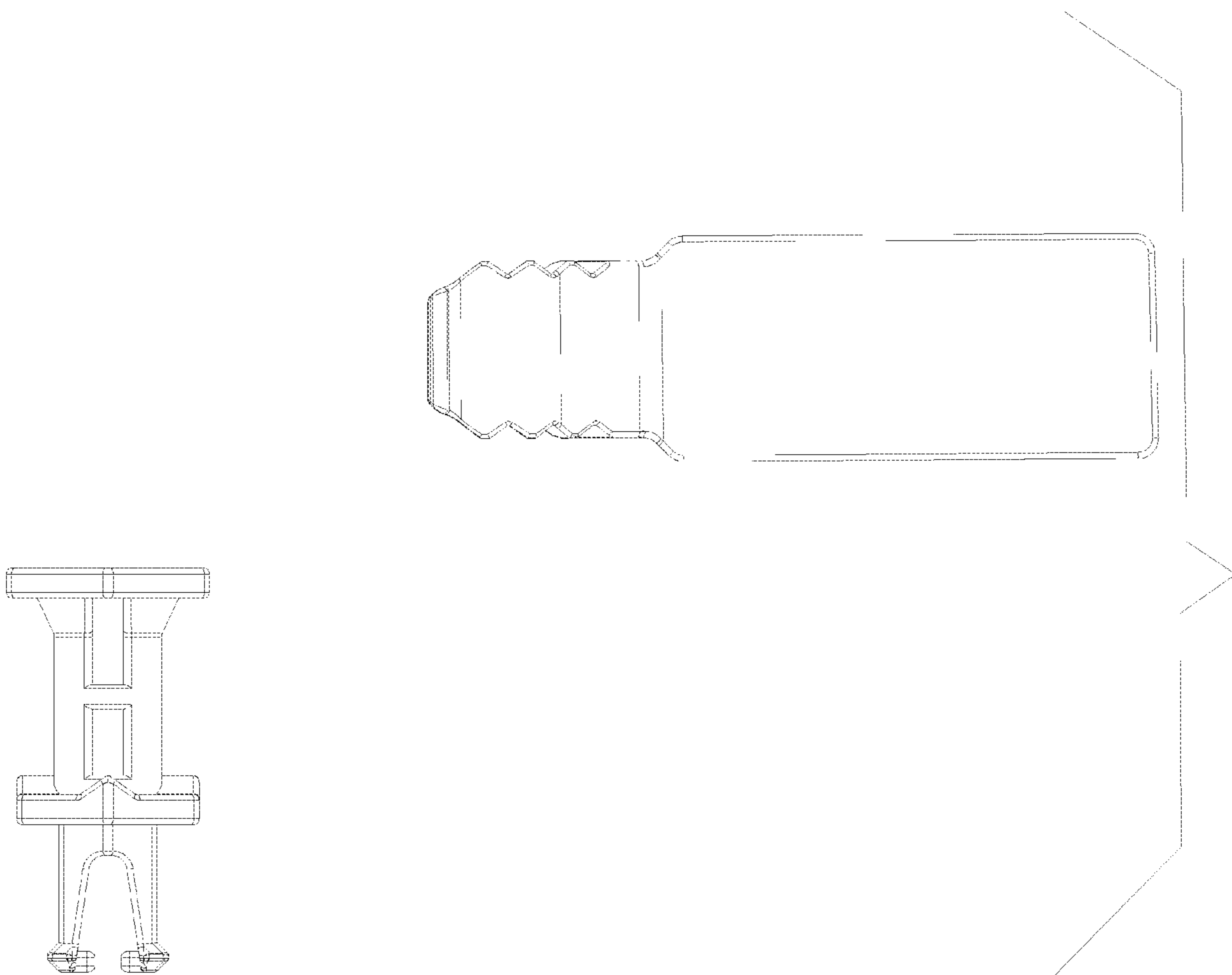


FIGURE 12

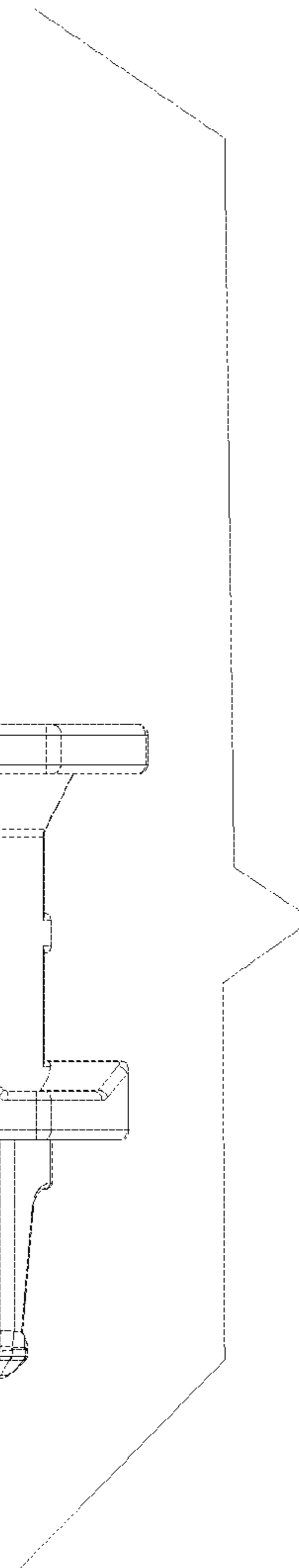
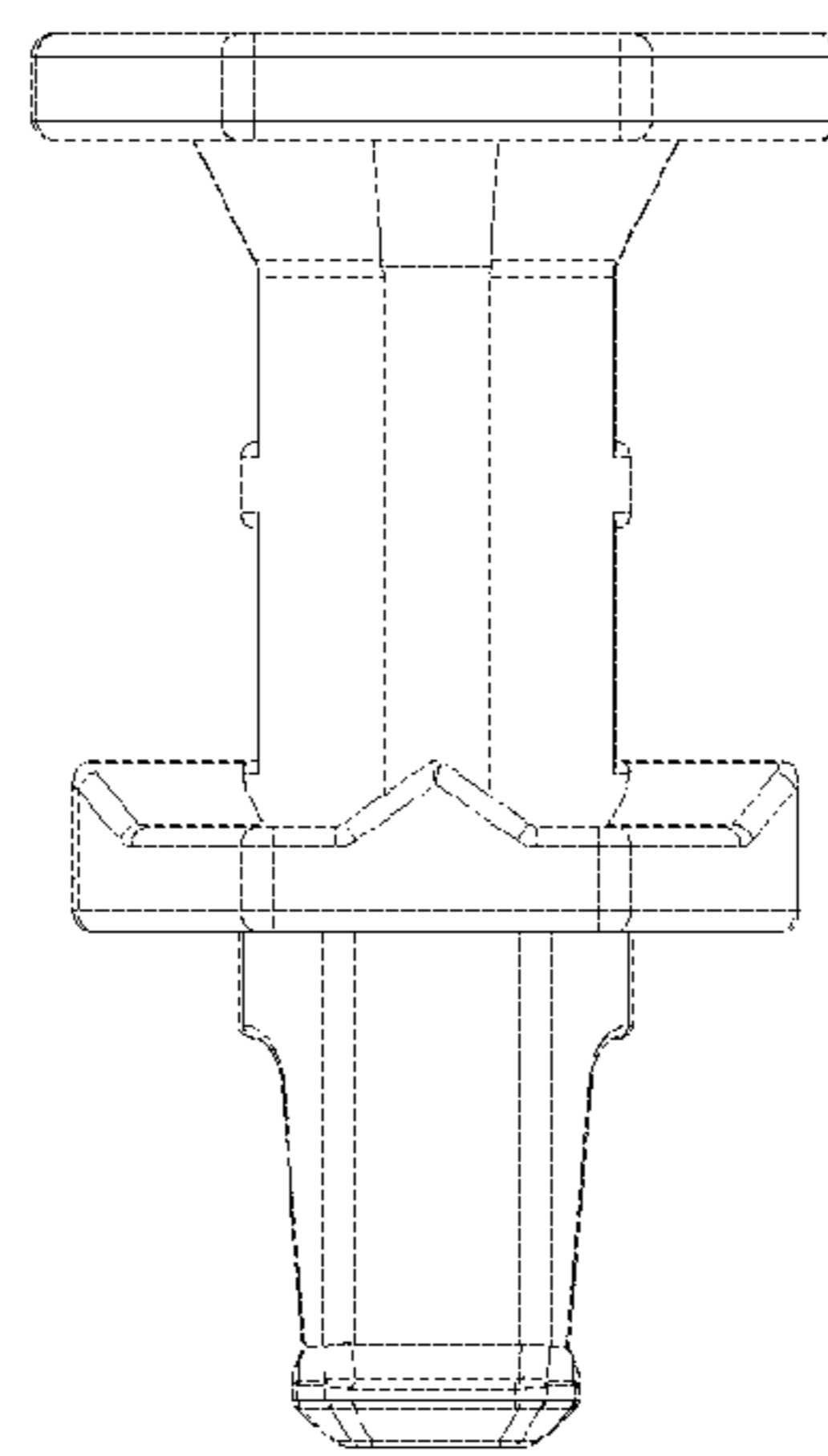
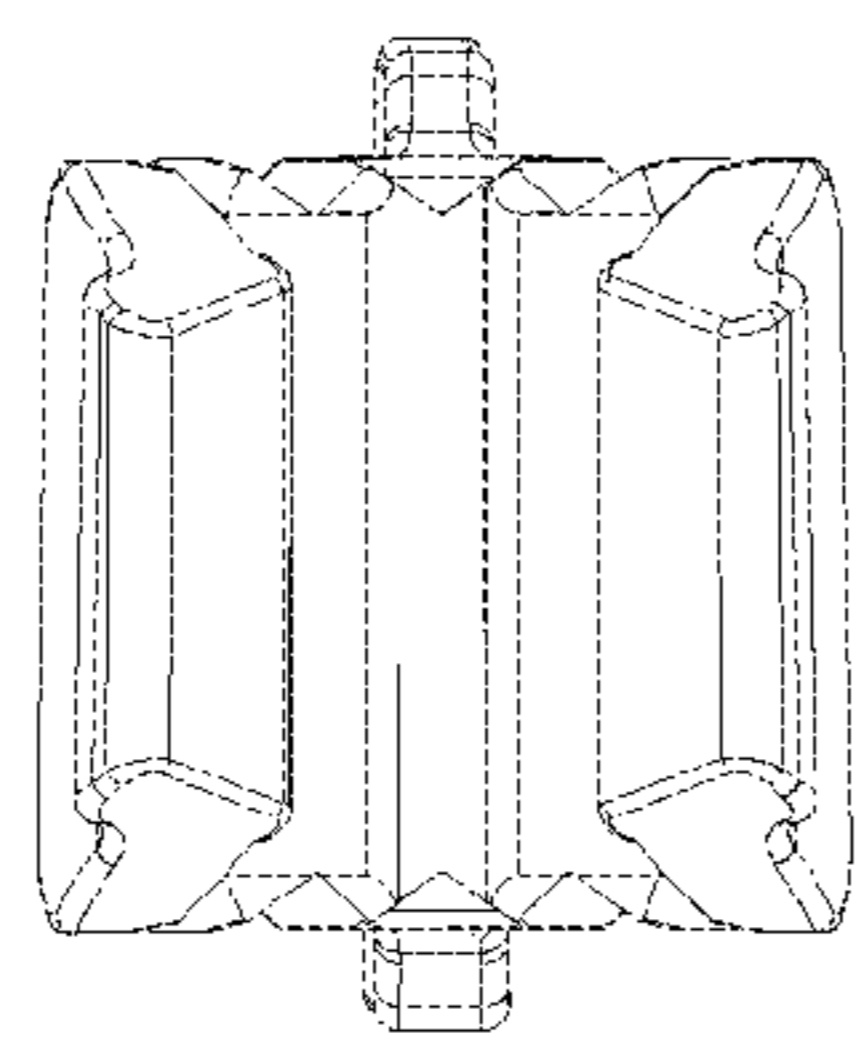


FIGURE 13

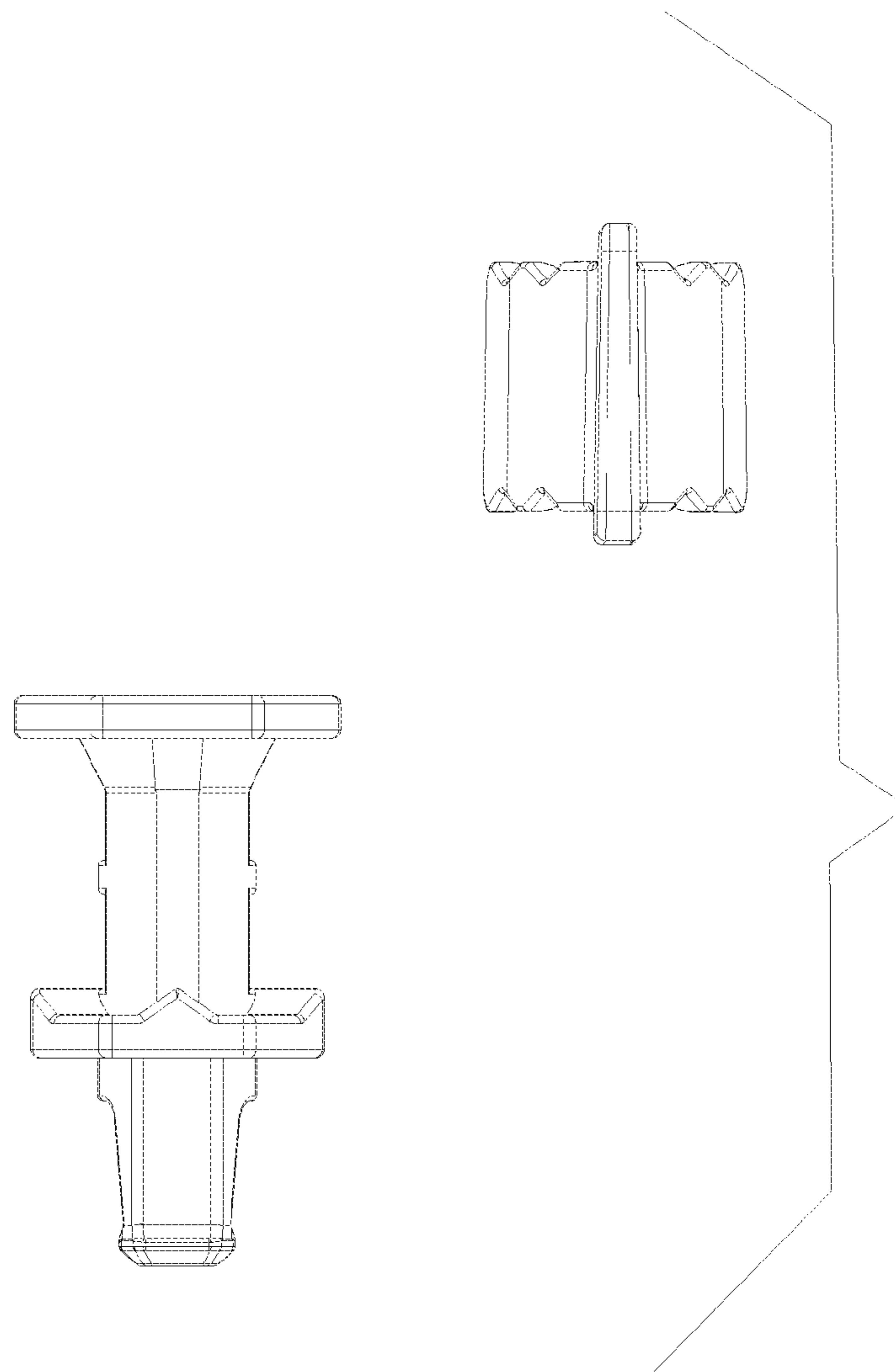


FIGURE 14