

US00D696731S

(12) **United States Design Patent**
Nelson et al.

(10) **Patent No.:** **US D696,731 S**
(45) **Date of Patent:** **** Dec. 31, 2013**

(54) **BALLOON CUP**
(75) Inventors: **David C. Nelson**, Akron, OH (US);
Wesley A. Schroeder, Seville, OH (US)

6,575,806 B1 * 6/2003 Nelson et al. 446/222
6,969,295 B1 * 11/2005 Sidwell 446/220
D529,102 S * 9/2006 Sidwell D21/453
7,588,477 B2 * 9/2009 Sidwell 446/224
D628,659 S * 12/2010 Burns D21/453

(73) Assignee: **Premium Balloon Accessories, Inc.**,
Sharon Center, OH (US)

* cited by examiner

(**) Term: **14 Years**

Primary Examiner — Caron D Veynar

Assistant Examiner — Martie K Holtje

(21) Appl. No.: **29/408,432**

(74) *Attorney, Agent, or Firm* — Renner Kenner Greive
Bobak Taylor & Weber

(22) Filed: **Dec. 13, 2011**

(51) **LOC (9) Cl.** **21-01**

(57) **CLAIM**

We claim the ornamental design for a balloon cup, as shown
and described.

(52) **U.S. Cl.**
USPC **D21/453**

(58) **Field of Classification Search**
USPC D21/326, 439, 440, 453; 446/220, 221,
446/222, 223, 224, 226
See application file for complete search history.

DESCRIPTION

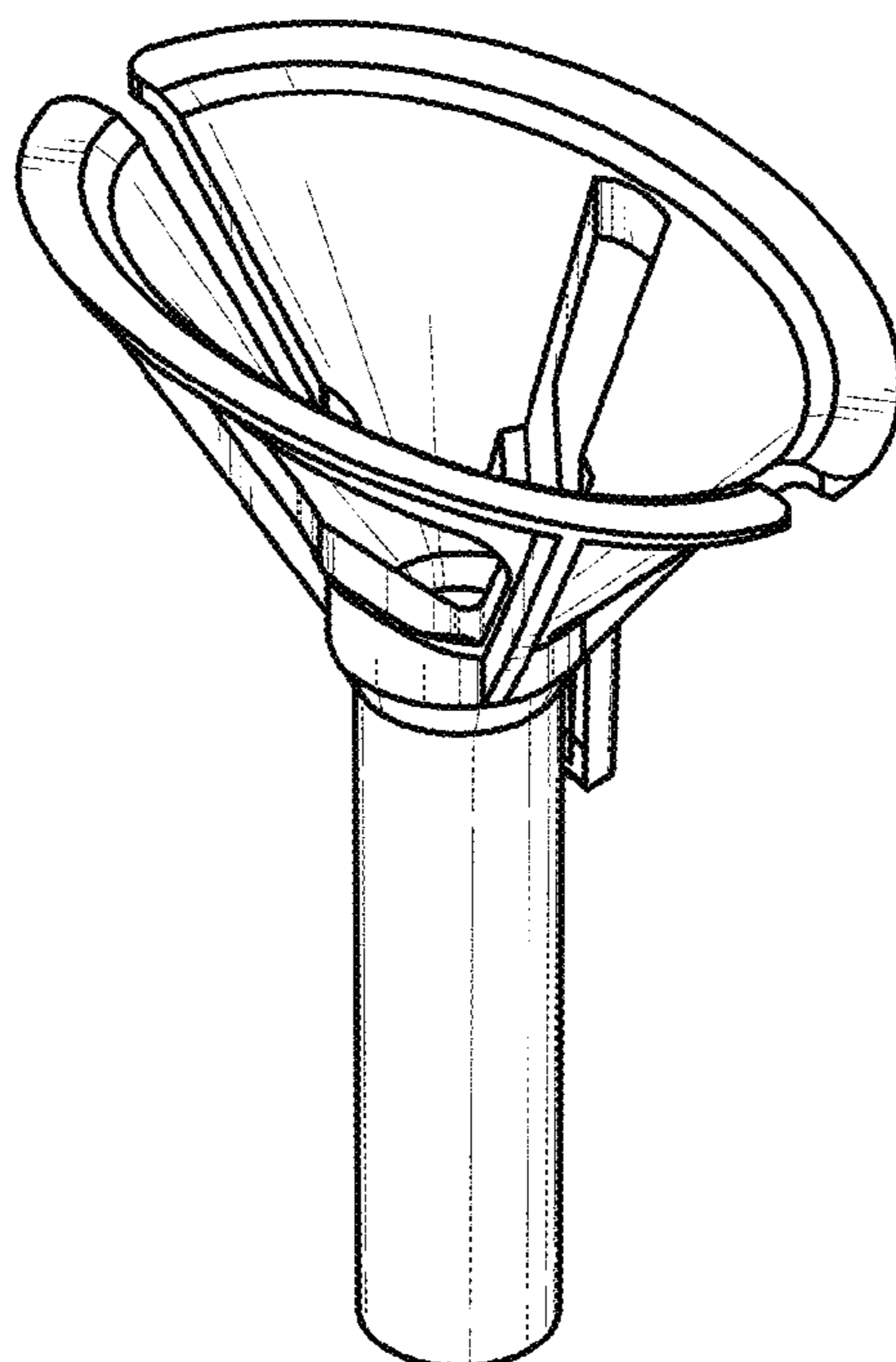
FIG. 1 is a perspective view of a balloon cup showing our new
design;
FIG. 2 is a front view thereof;
FIG. 3 is a rear view thereof;
FIG. 4 is a left side view thereof;
FIG. 5 is a right side view thereof;
FIG. 6 is a top view thereof;
FIG. 7 is a cross-sectional view thereof, taken in the direction
of arrows 7-7 in FIG. 6; and,
FIG. 8 is a bottom view thereof.
The broken line depiction of the structure in the FIG. 7 view
has been shown for the purpose of illustrating a portion of the
balloon cup that forms no part of the claimed design.

(56) **References Cited**

U.S. PATENT DOCUMENTS

4,589,854 A * 5/1986 Smith 446/223
4,661,081 A * 4/1987 Basseches 446/220
4,715,841 A * 12/1987 Nelson et al. 446/222
4,798,554 A * 1/1989 Nelson et al. 446/222
4,895,545 A * 1/1990 Nelson 446/220
D329,261 S * 9/1992 Pollack D21/440
5,295,891 A * 3/1994 Schalk 446/222
5,444,607 A * 8/1995 Dreyfuss 362/352
5,738,560 A * 4/1998 Bears 446/220
6,375,534 B1 * 4/2002 Burns 446/220
6,430,804 B1 * 8/2002 Nelson et al. 29/566

1 Claim, 8 Drawing Sheets



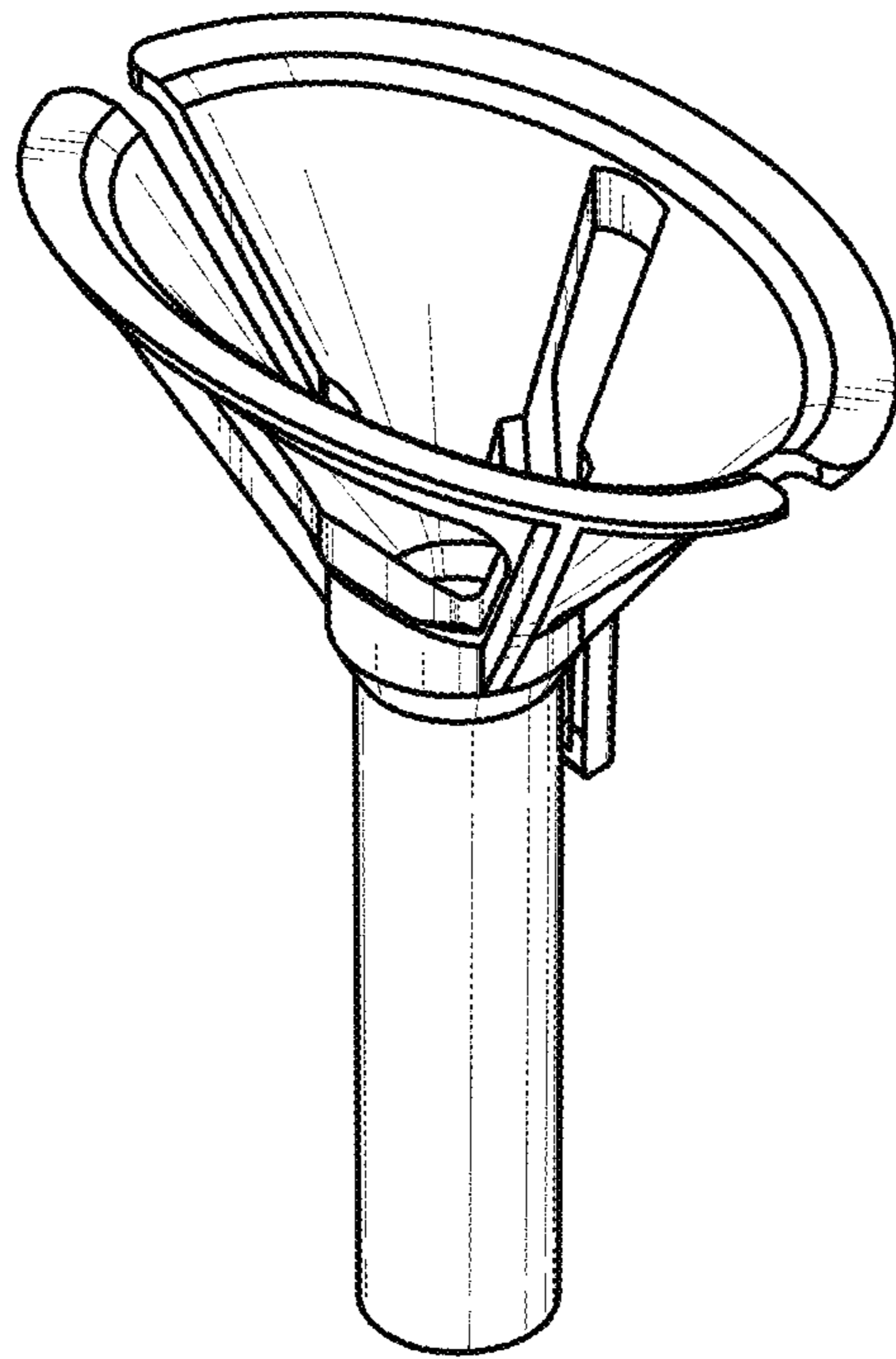


FIG. 1

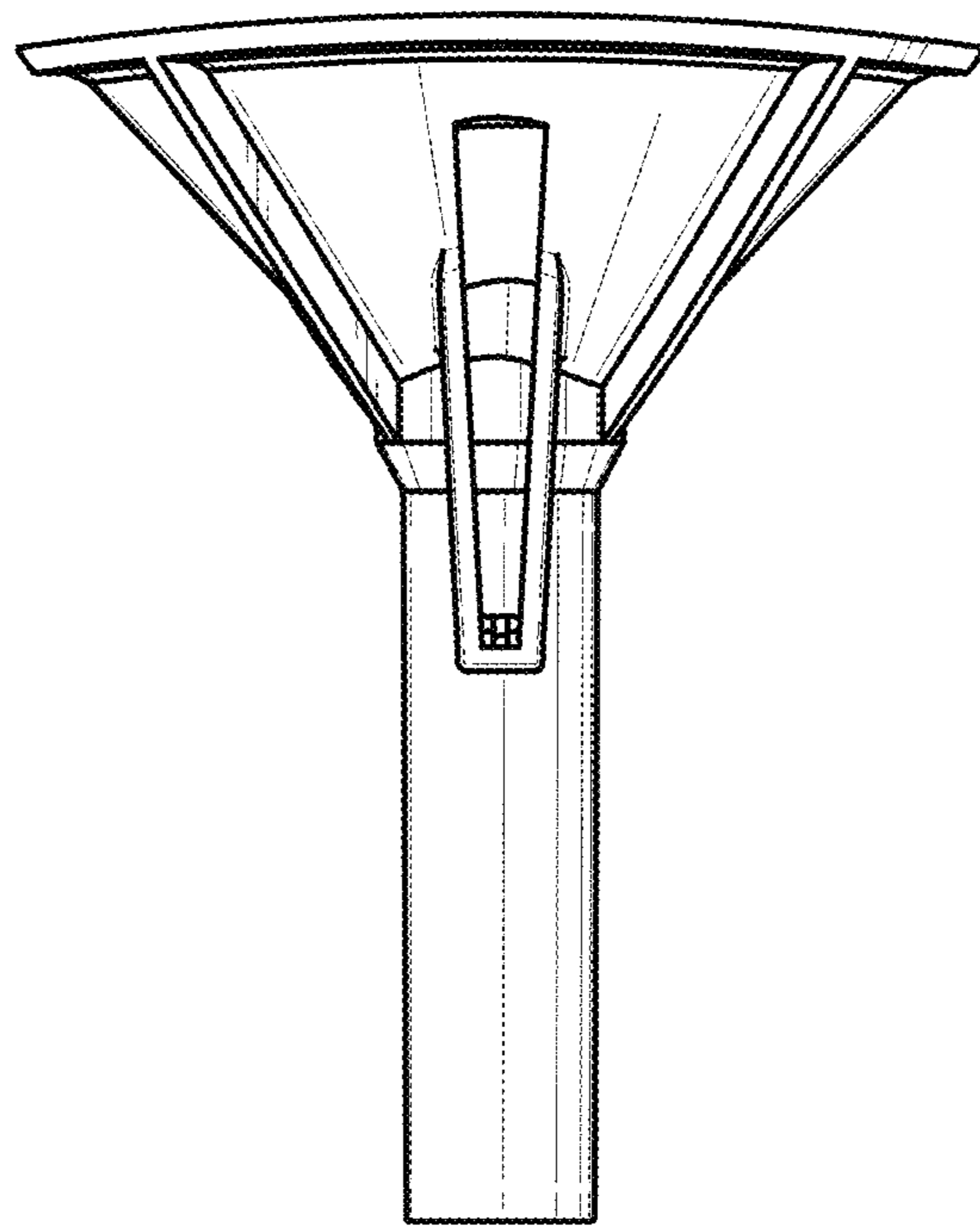


FIG. 2

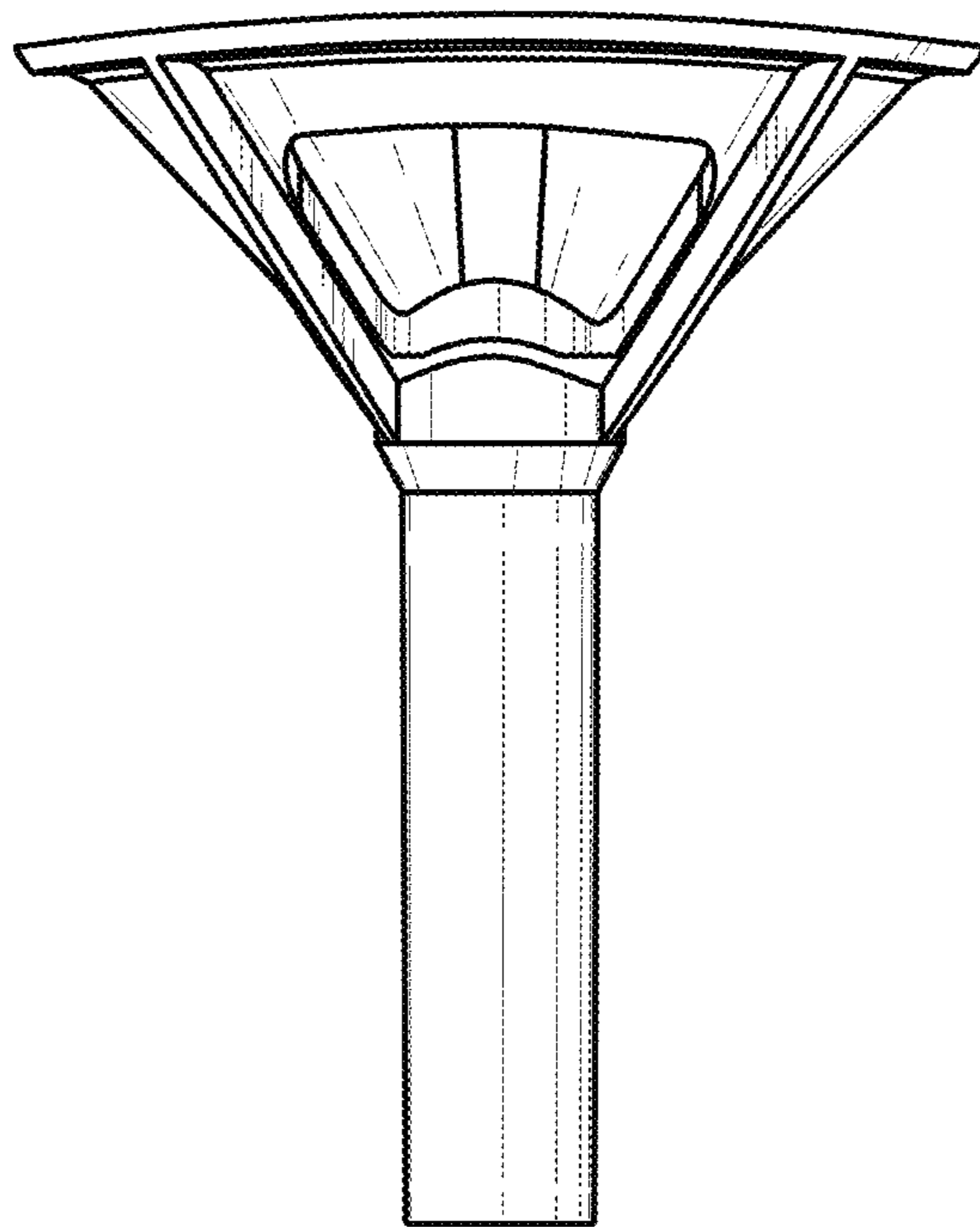


FIG. 3

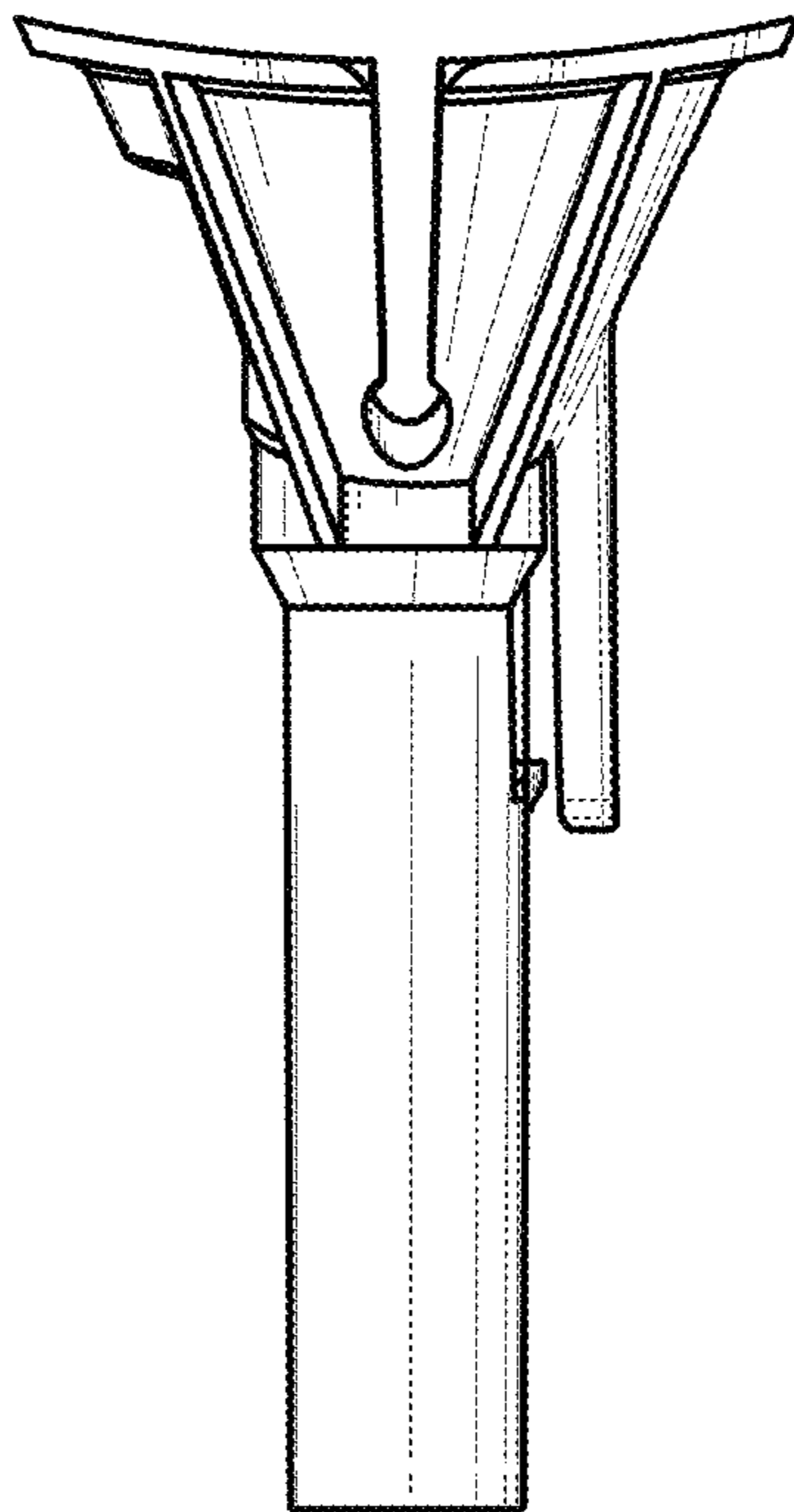


FIG. 4

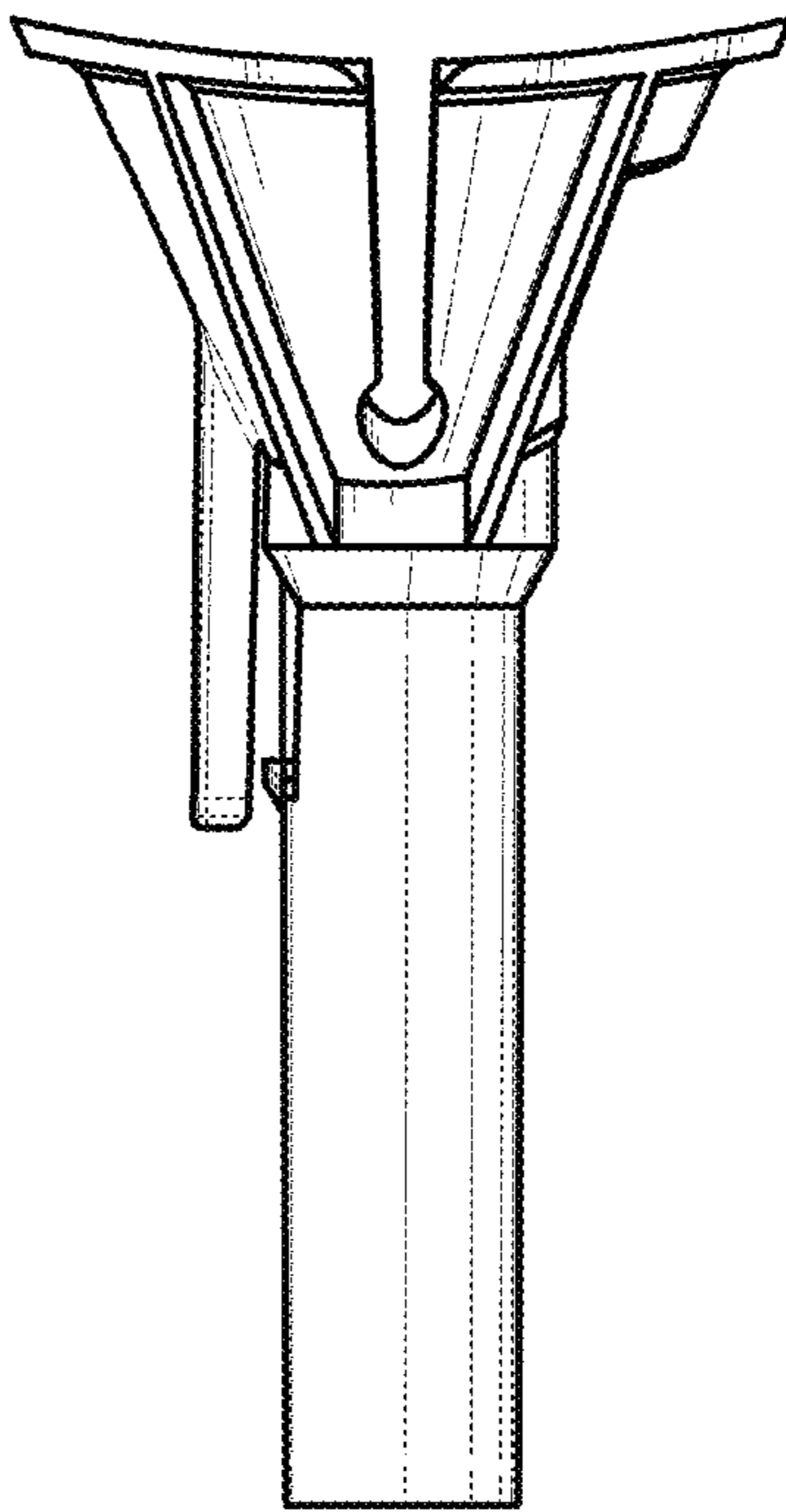


FIG. 5

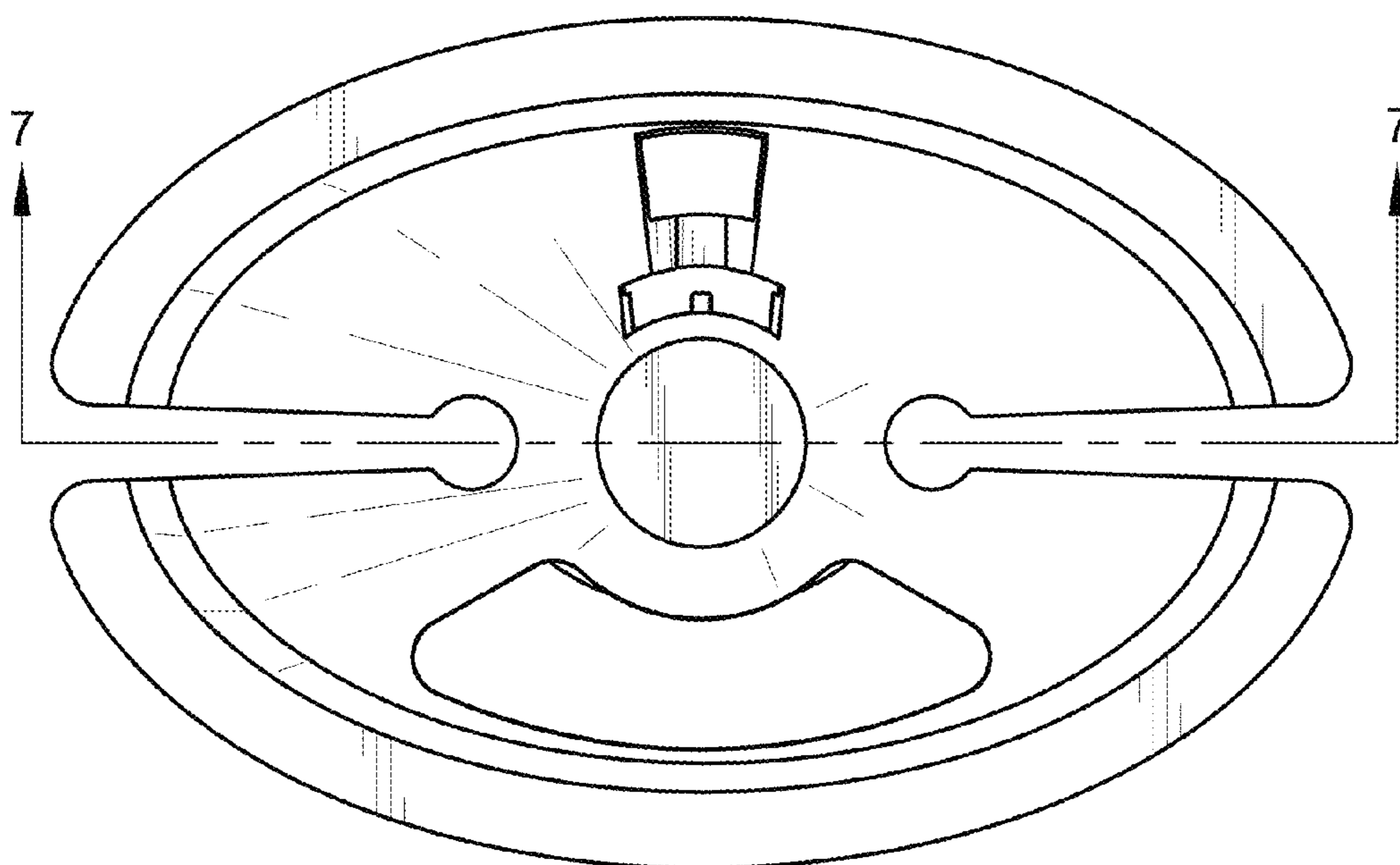


FIG. 6

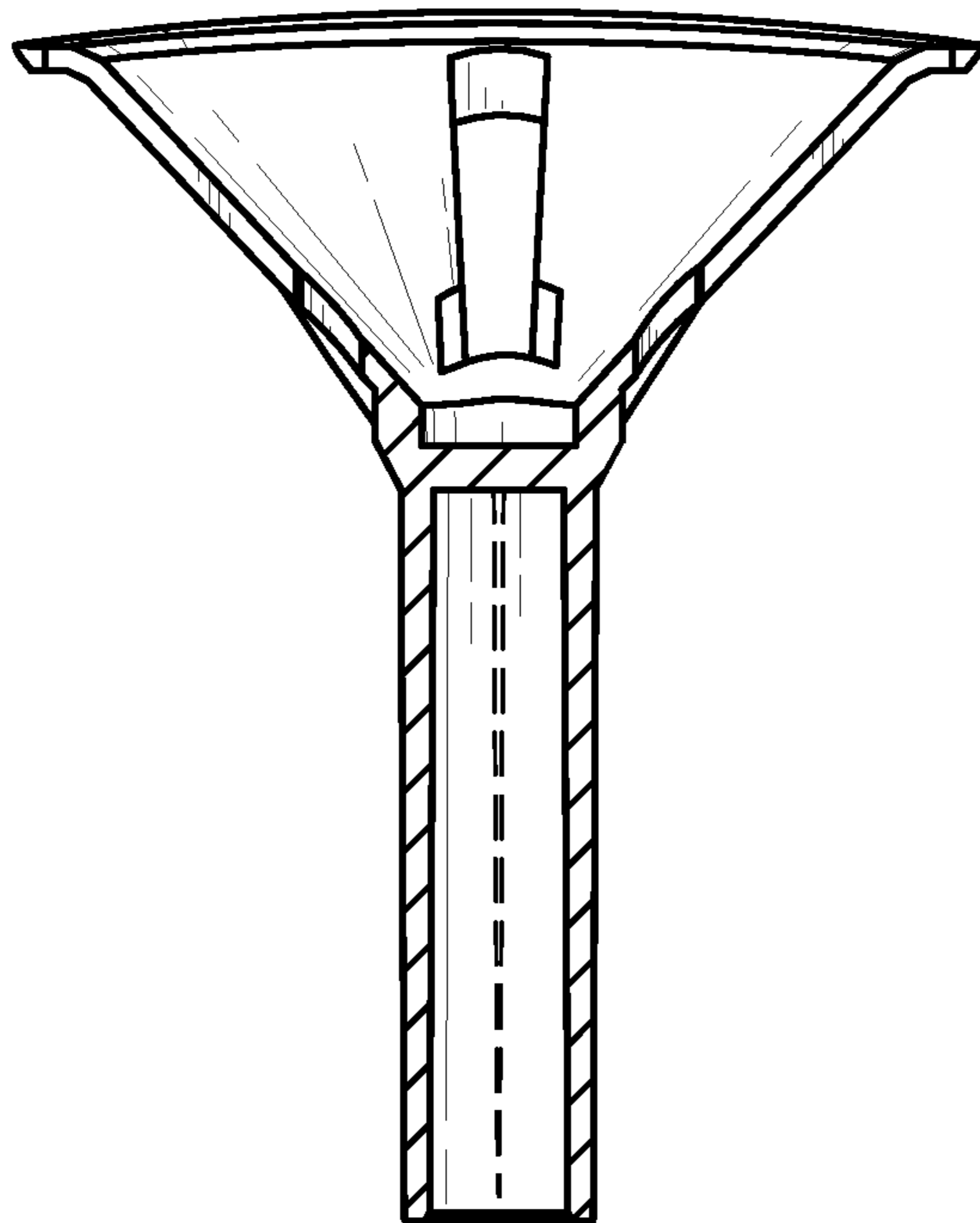


FIG. 7

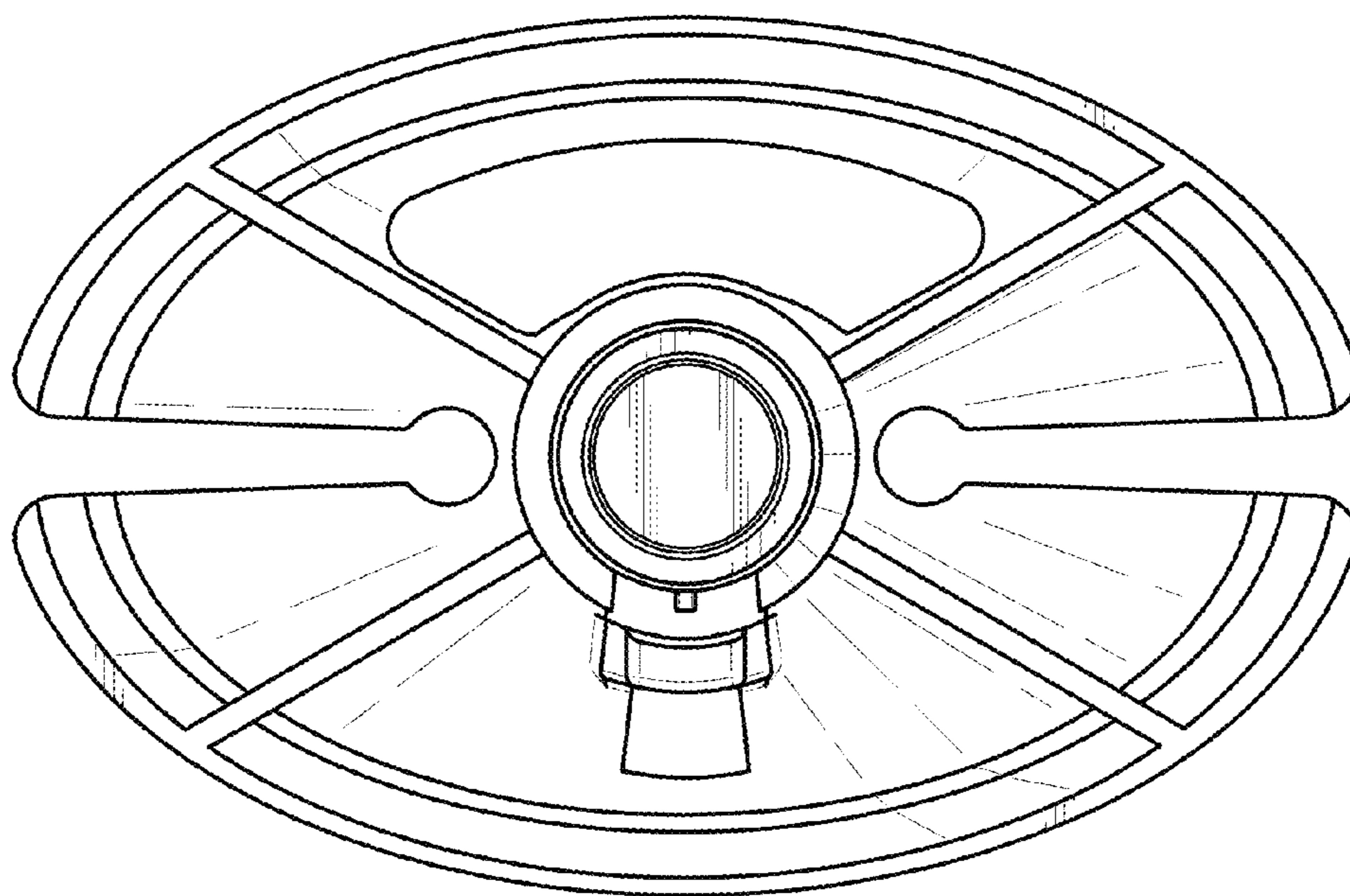


FIG. 8