



US00D696727S

(12) **United States Design Patent**
Kim

(10) **Patent No.:** **US D696,727 S**

(45) **Date of Patent:** **** Dec. 31, 2013**

(54) **GAMING APPARATUS FOR MAHJONG**

(56) **References Cited**

(71) Applicant: **Tera Logic Ltd.**, Seoul (KR)

U.S. PATENT DOCUMENTS

(72) Inventor: **Tai-Up Kim**, Seoul (KR)

D220,554 S * 4/1971 Hedgewick D10/113.1
D470,787 S * 2/2003 Kim D10/113.1
D565,447 S * 4/2008 Horng D10/113.1
2005/0238425 A1 * 10/2005 Safar 404/16

(73) Assignee: **Tera Logic Ltd.** (KR)

* cited by examiner

(**) Term: **14 Years**

Primary Examiner — George D Kirschbaum

(21) Appl. No.: **29/432,938**

(74) *Attorney, Agent, or Firm* — Cantor Colburn LLP

(22) Filed: **Sep. 24, 2012**

(57) **CLAIM**

The ornamental design for gaming apparatus for mahjong, as shown and described.

(30) **Foreign Application Priority Data**

DESCRIPTION

Mar. 23, 2012 (KR) 30-2012-0013779

(51) **LOC (9) Cl.** **21-01**

(52) **U.S. Cl.**
USPC **D21/341**

(58) **Field of Classification Search**
USPC D21/307–208, 334–368, 376–397;
273/236–287, 288–291; D10/113.1;
40/16

FIG. 1 is a perspective view of a gaming apparatus for mahjong showing my new design;
FIG. 2 is a front view thereof;
FIG. 3 is a rear view thereof;
FIG. 4 is a left side view thereof;
FIG. 5 is a right side view thereof;
FIG. 6 is a top plan view thereof; and,
FIG. 7 is a bottom plan view thereof.

See application file for complete search history.

1 Claim, 3 Drawing Sheets

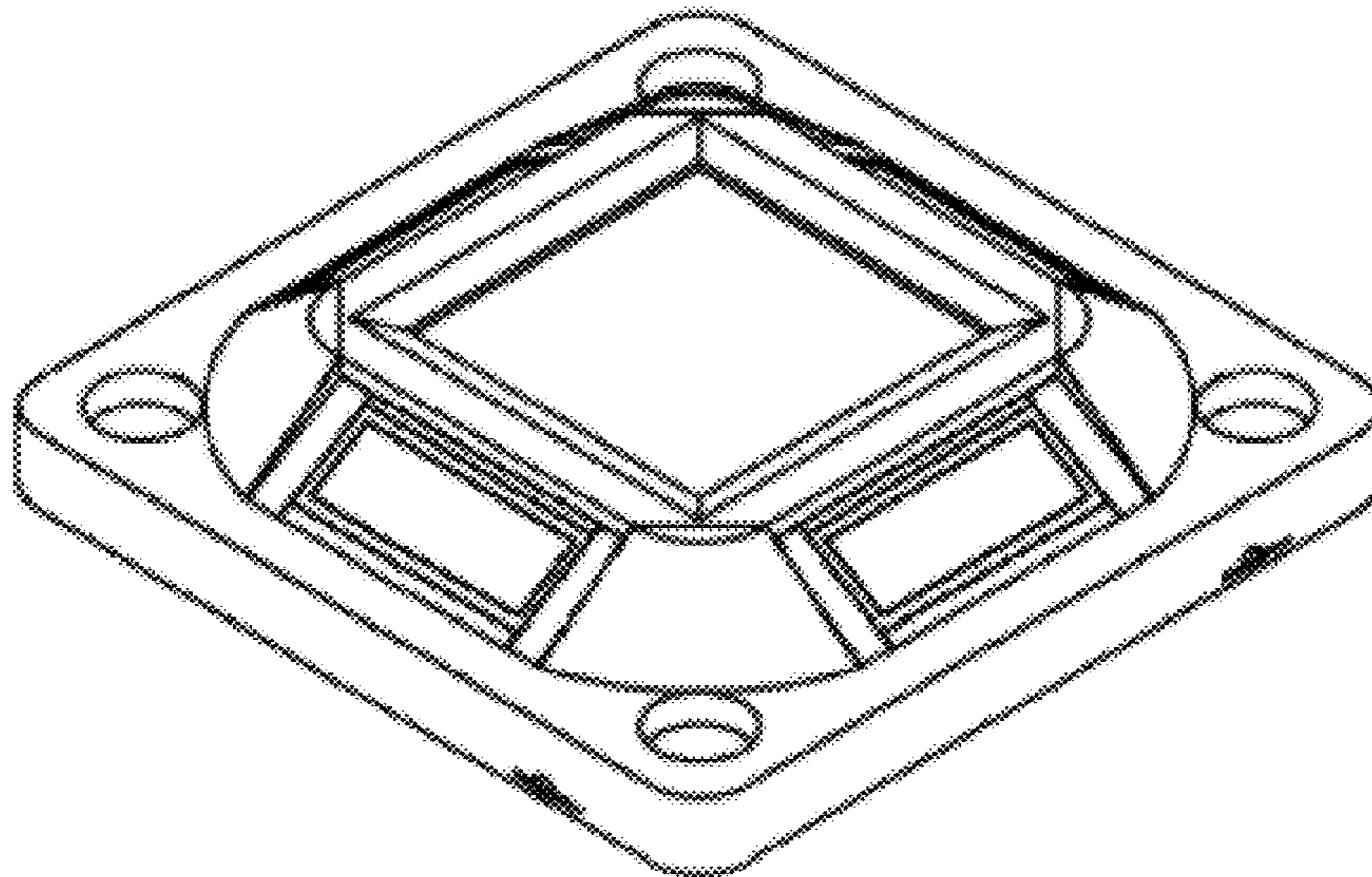


FIG. 1

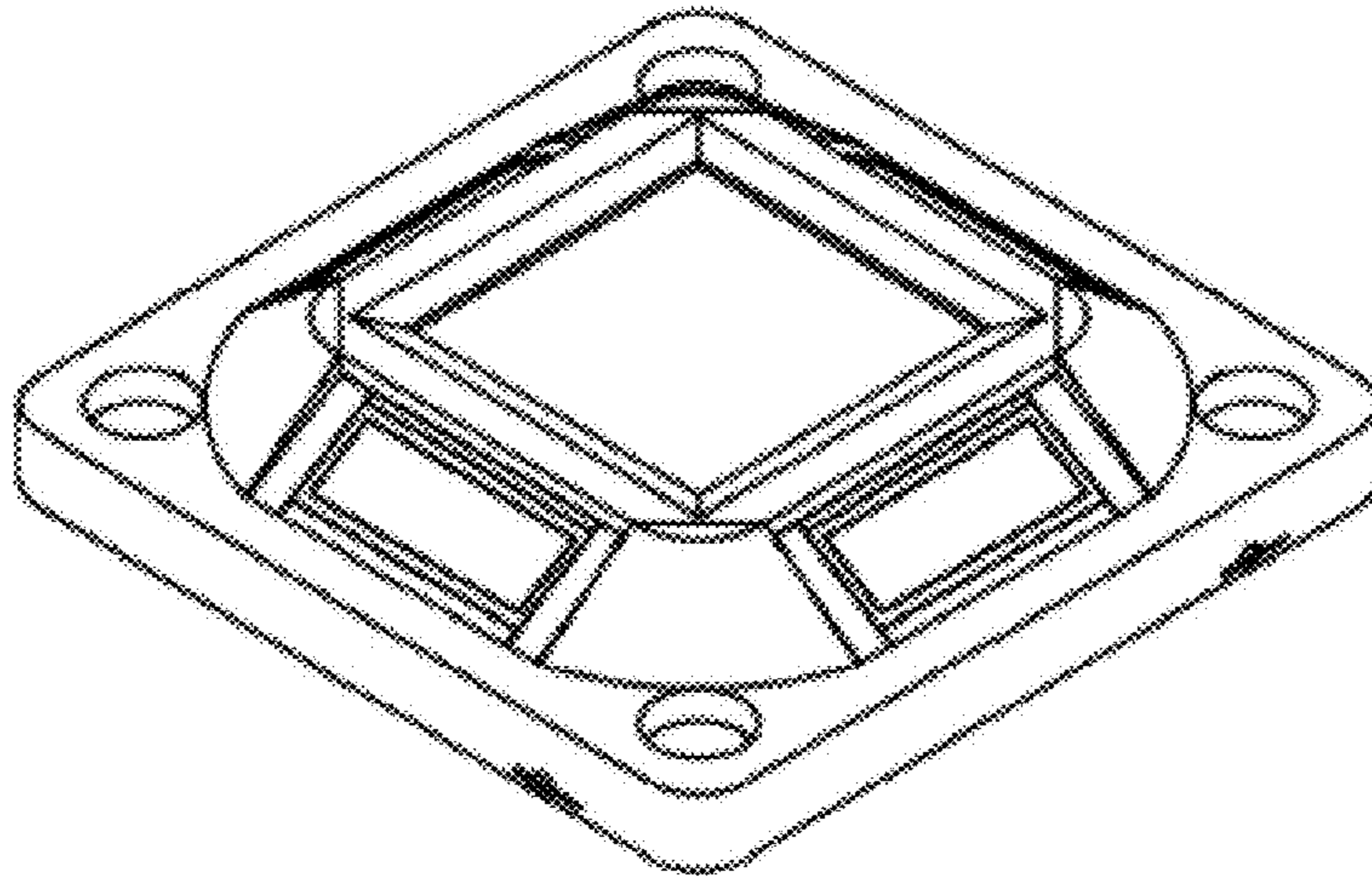


FIG. 2

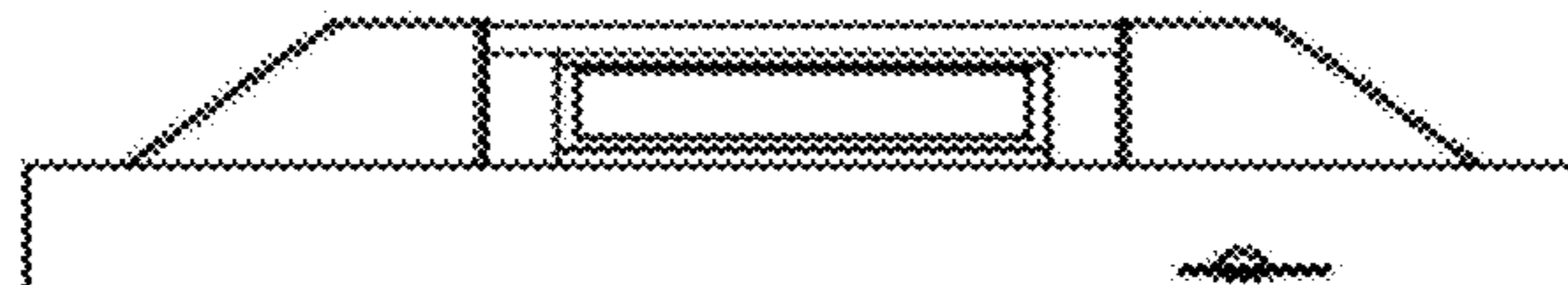


FIG. 3

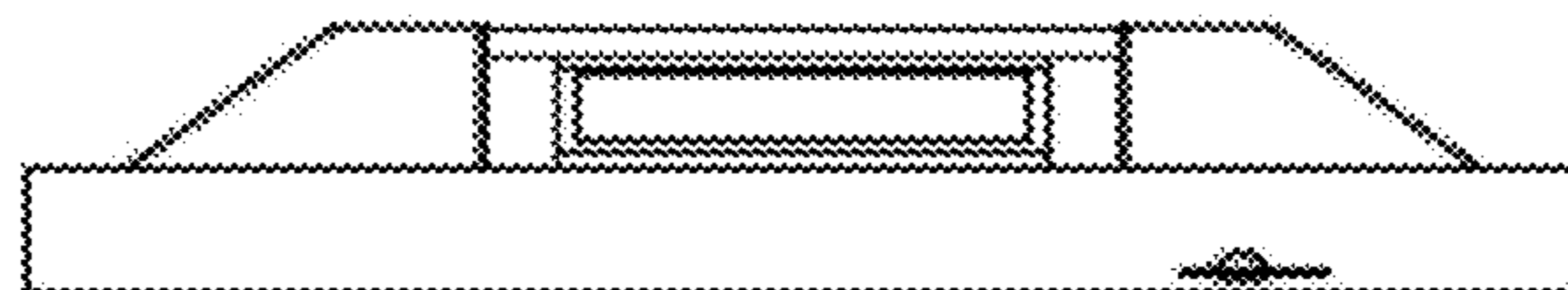


FIG. 4

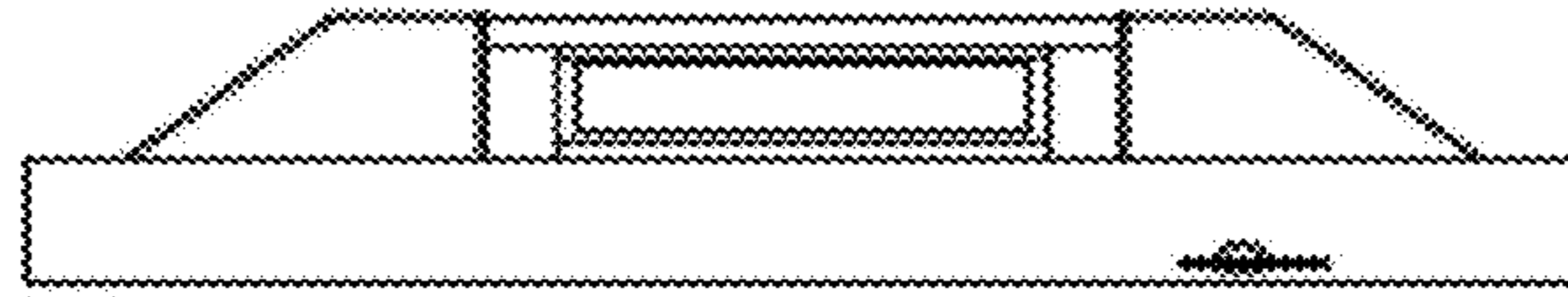


FIG. 5

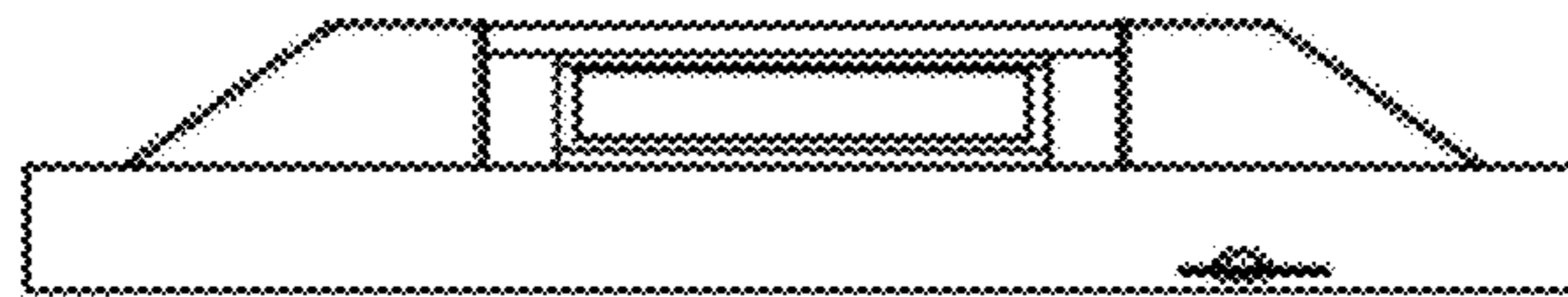


FIG. 6

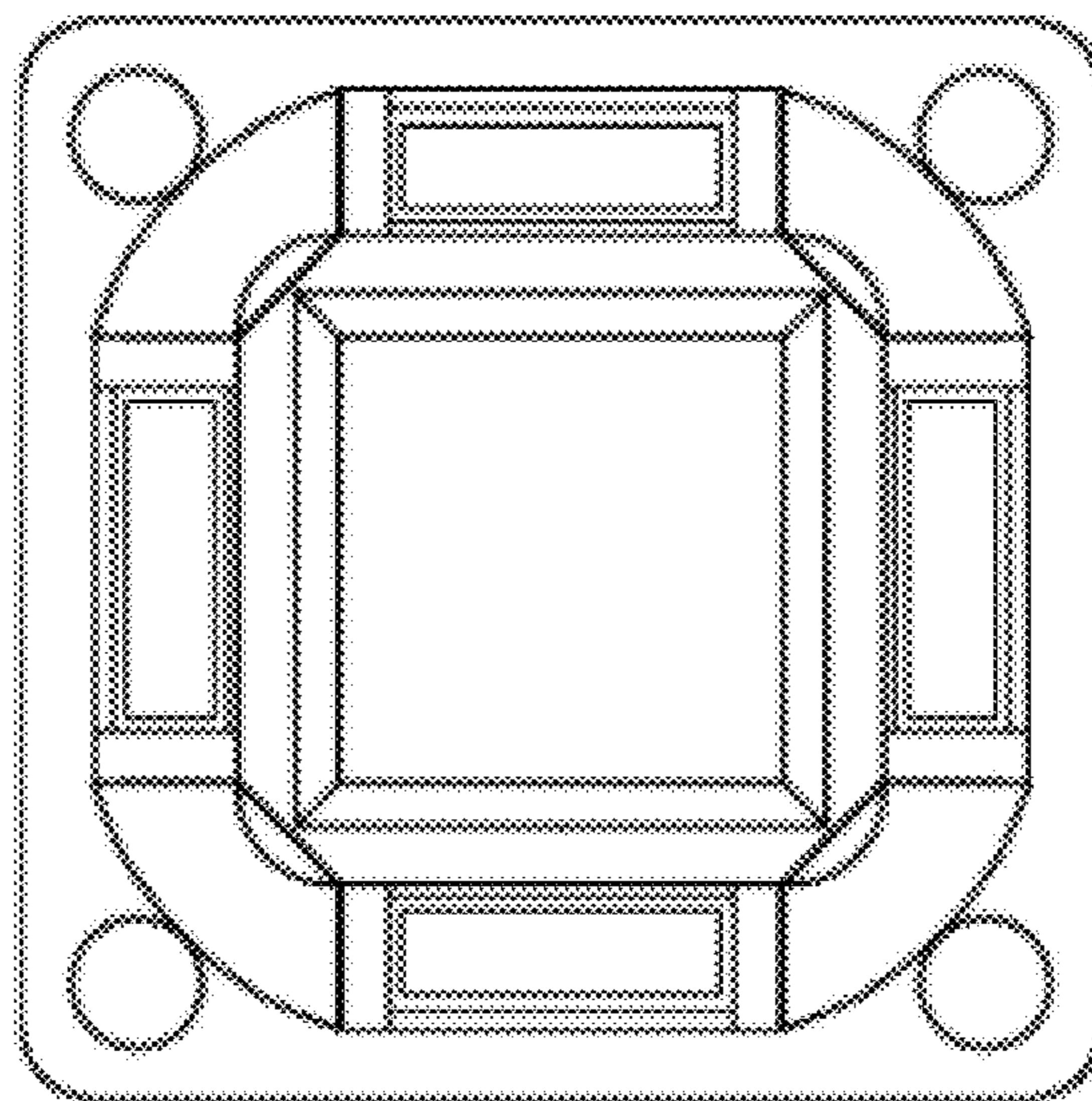


FIG. 7

