

US00D696725S

(12) **United States Design Patent**
Sasken-Duff et al.

(10) **Patent No.:** **US D696,725 S**
(45) **Date of Patent:** **** Dec. 31, 2013**

(54) **COOKBOOK STAND**

(75) Inventors: **Debra Lynne Sasken-Duff**, Blaine, WA (US); **Adriana Collins**, Bellingham, WA (US); **Marie Thornton**, San Francisco, CA (US)

(73) Assignee: **Magellan Group, Ltd.**, Blaine, WA (US)

(**) Term: **14 Years**

(21) Appl. No.: **29/413,237**

(22) Filed: **Feb. 13, 2012**

(51) **LOC (9) Cl.** **19-02**

(52) **U.S. Cl.**
USPC **D19/91**

(58) **Field of Classification Search**
USPC D3/273, 294, 304, 314; D6/310, 311, D6/312, 676.3, 678.3, 683.1, 70; D9/432; D19/26-31, 75, 77, 78, 81-86, 90, 91; 206/215, 425, 449, 555; 211/10, 11, 211/46, 48, 87.01; 248/447, 454, 460, 461, 248/462, 463; D14/447
See application file for complete search history.

(56) **References Cited**

U.S. PATENT DOCUMENTS

3,118,689 A * 1/1964 Jones 281/36
D239,316 S * 3/1976 Smith D9/432
4,213,520 A * 7/1980 Sarna et al. 248/444.1
D283,853 S * 5/1986 Wistrand D6/308

6,464,195 B1 * 10/2002 Hildebrandt 248/460
6,527,117 B2 * 3/2003 Adkins et al. 206/449
D602,264 S * 10/2009 Sheridoni D6/310
7,694,932 B1 * 4/2010 Ngan 248/461
7,779,996 B2 * 8/2010 Elias et al. 206/45.23
8,205,367 B2 * 6/2012 Markos 40/454
D670,919 S * 11/2012 Shamoon D6/312
2011/0108696 A1 * 5/2011 Ye 248/371
2011/0180682 A1 * 7/2011 Tarnutzer et al. 248/447

* cited by examiner

Primary Examiner — Elizabeth Albert

(74) *Attorney, Agent, or Firm* — Dwayne E. Rogge; Schacht Law Office, Inc.

(57) **CLAIM**

The ornamental design for a cookbook stand, as shown and described.

DESCRIPTION

FIG. 1 is a perspective view thereof.
FIG. 2 is a top view thereof.
FIG. 3 is a bottom view thereof.
FIG. 4 is a right side view thereof with the left side view being a mirror image thereof.
FIG. 5 is a front view thereof.
FIG. 6 is a rear view thereof.
FIG. 7 is a perspective view thereof in an opened configuration; and,
FIG. 8 is a right side view thereof with the left side view being a mirror image thereof.
The broken lines showing a feature under the lid in FIG. 8 are included for the purpose of showing a portion of the cookbook stand that forms no part of the claimed design.

1 Claim, 6 Drawing Sheets

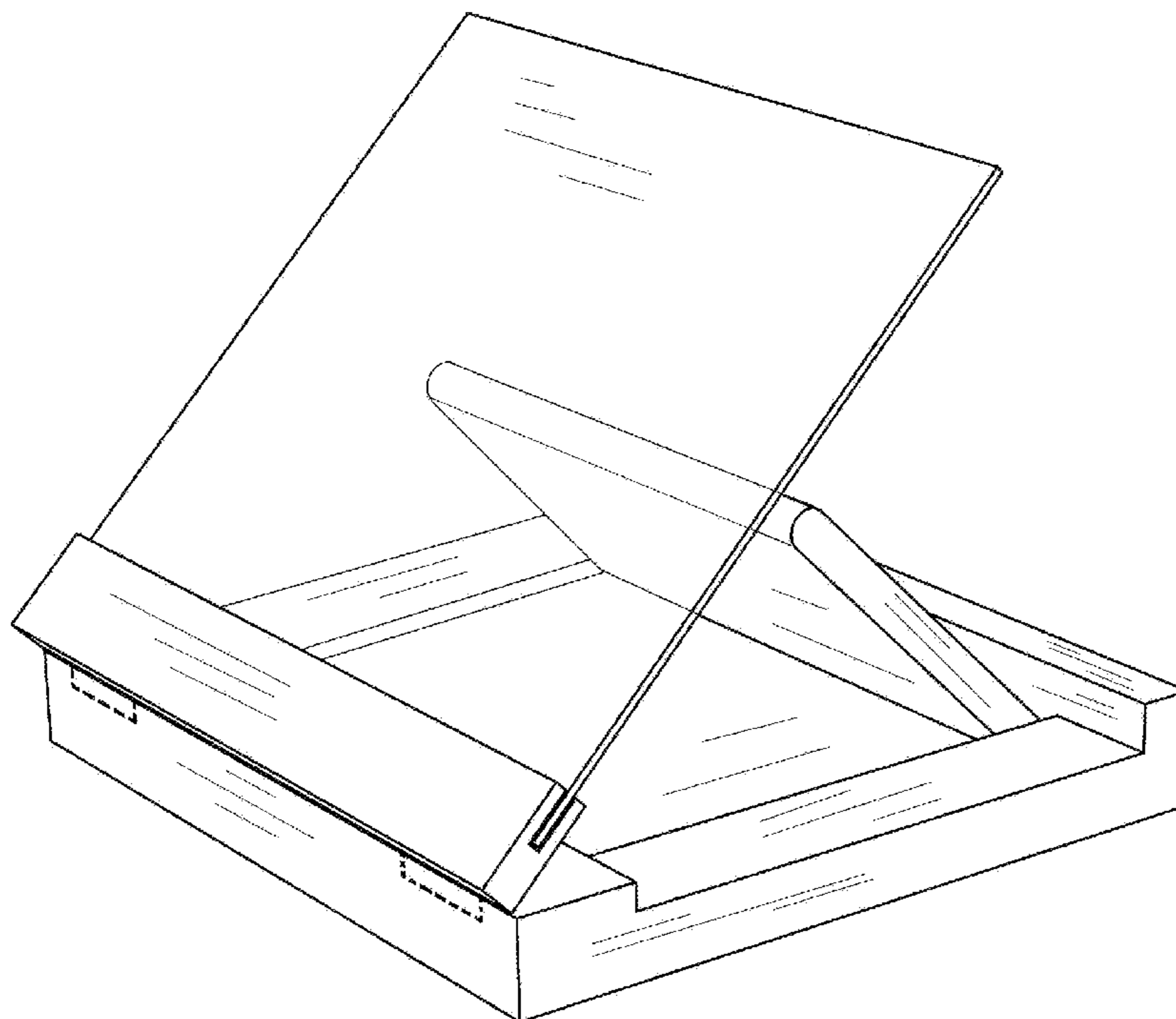
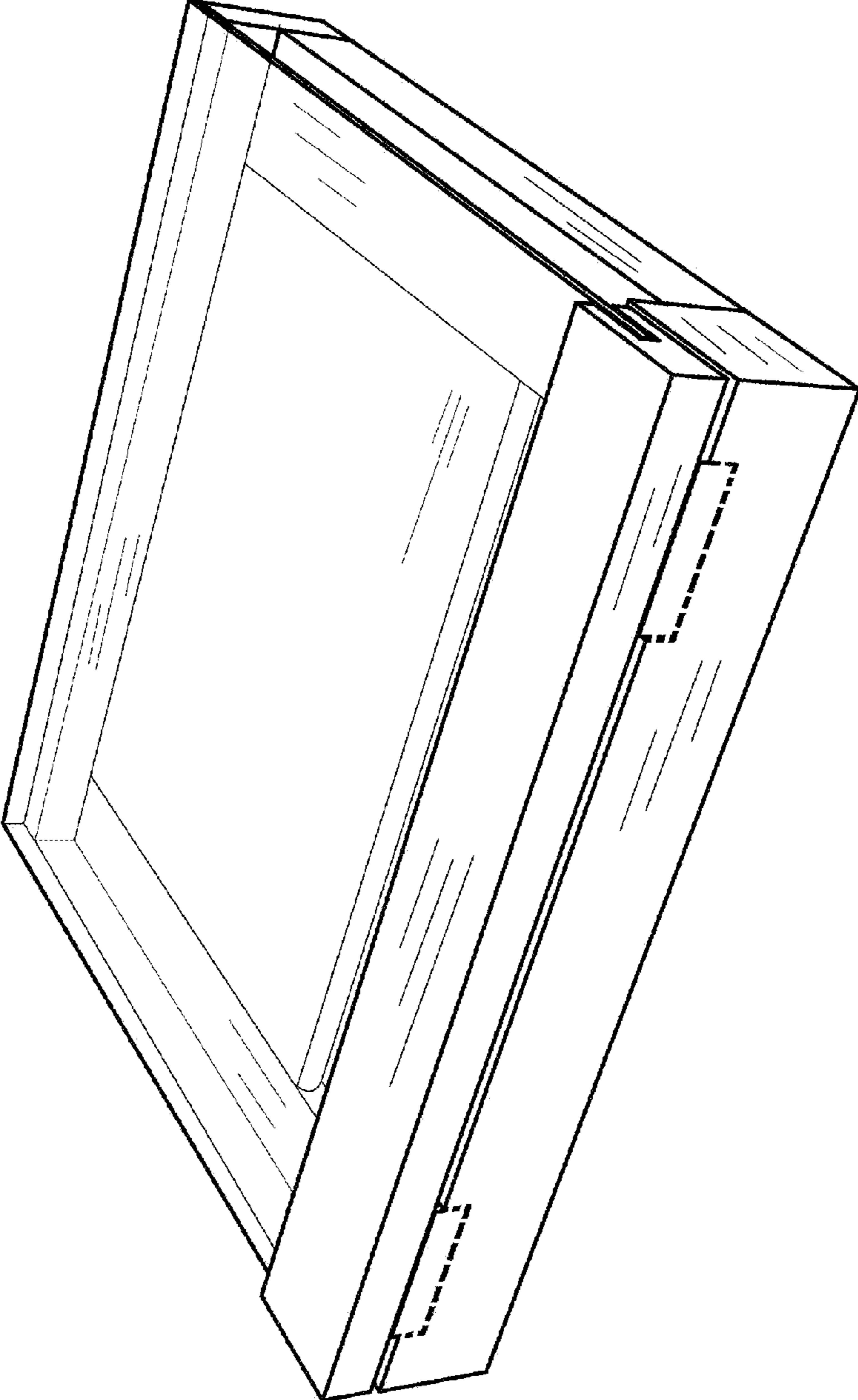


FIG. 1



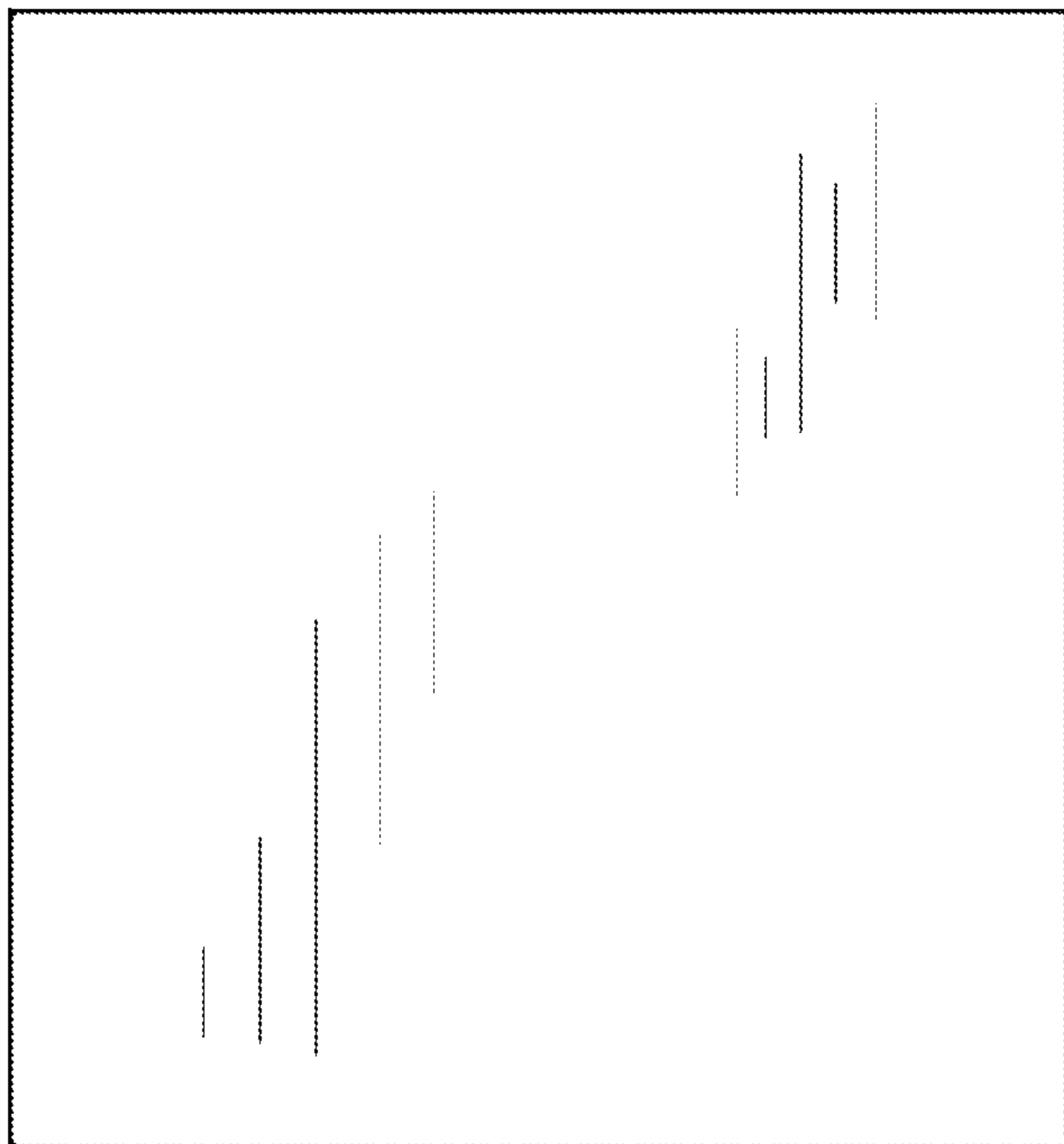


Fig. 2

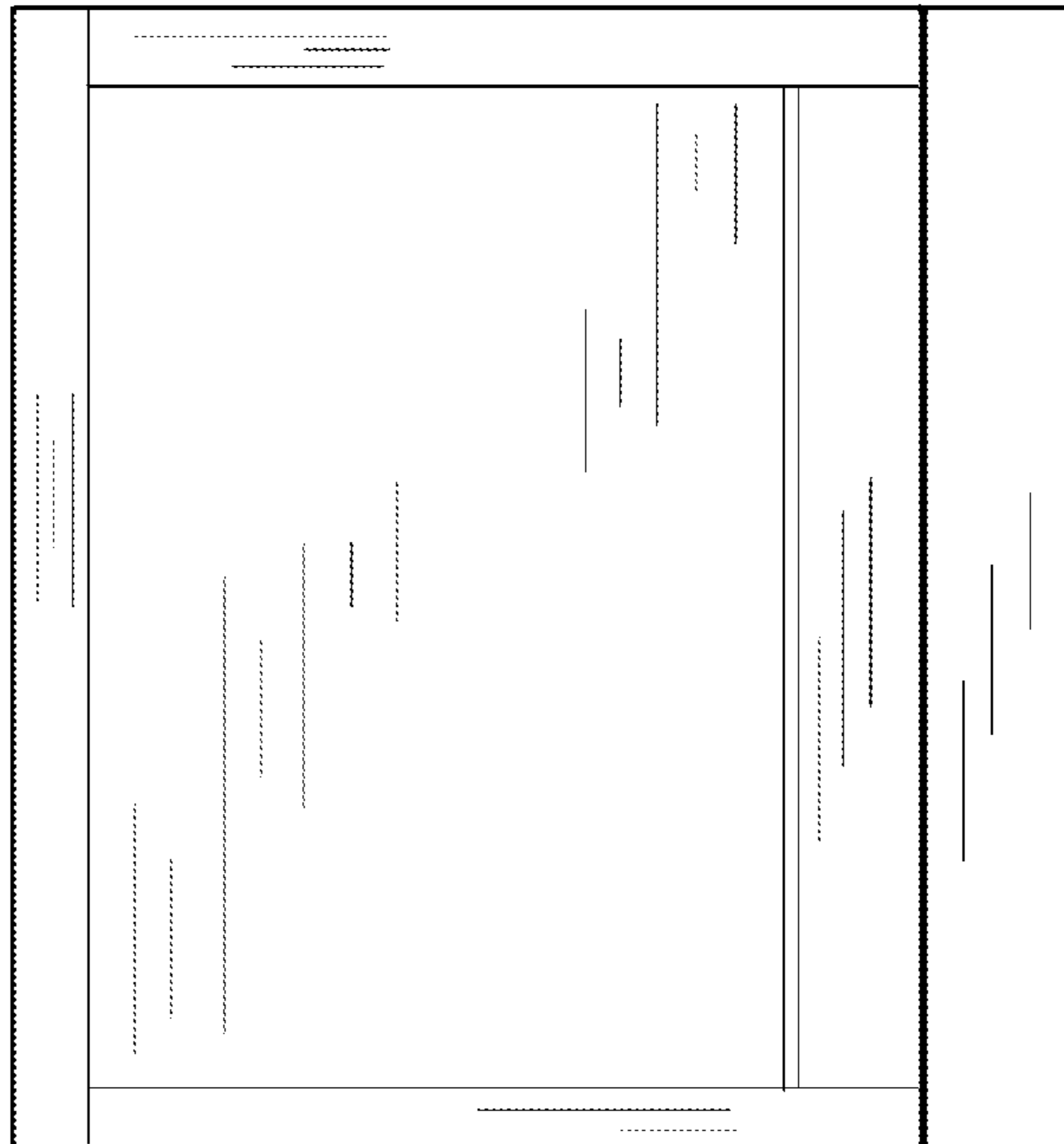


Fig. 3

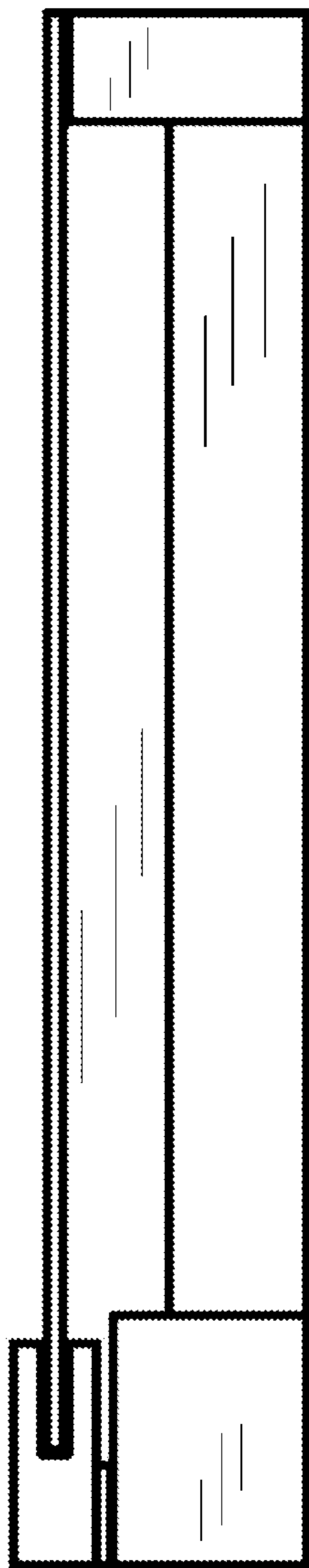


FIG. 4

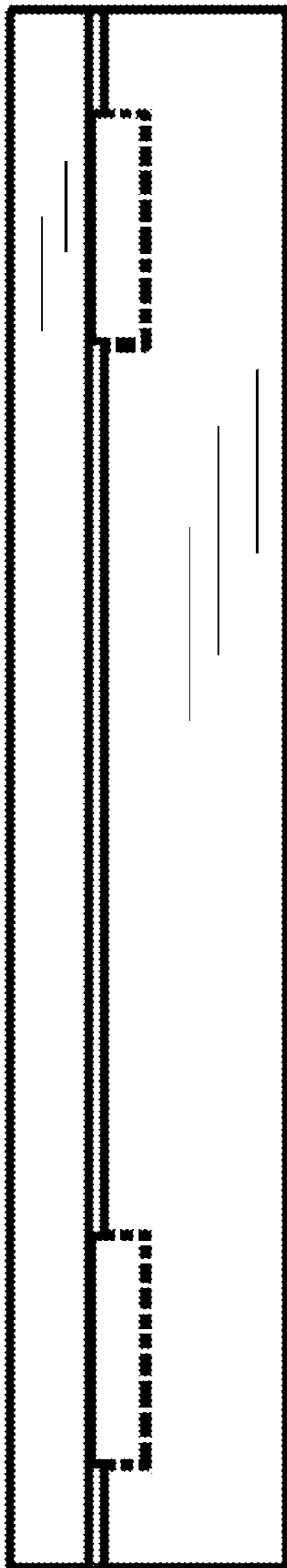


FIG. 5

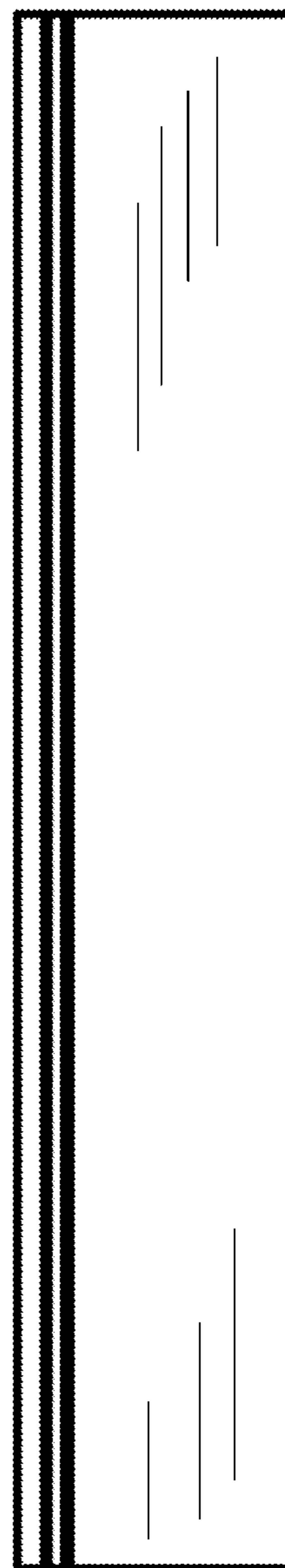


FIG. 6

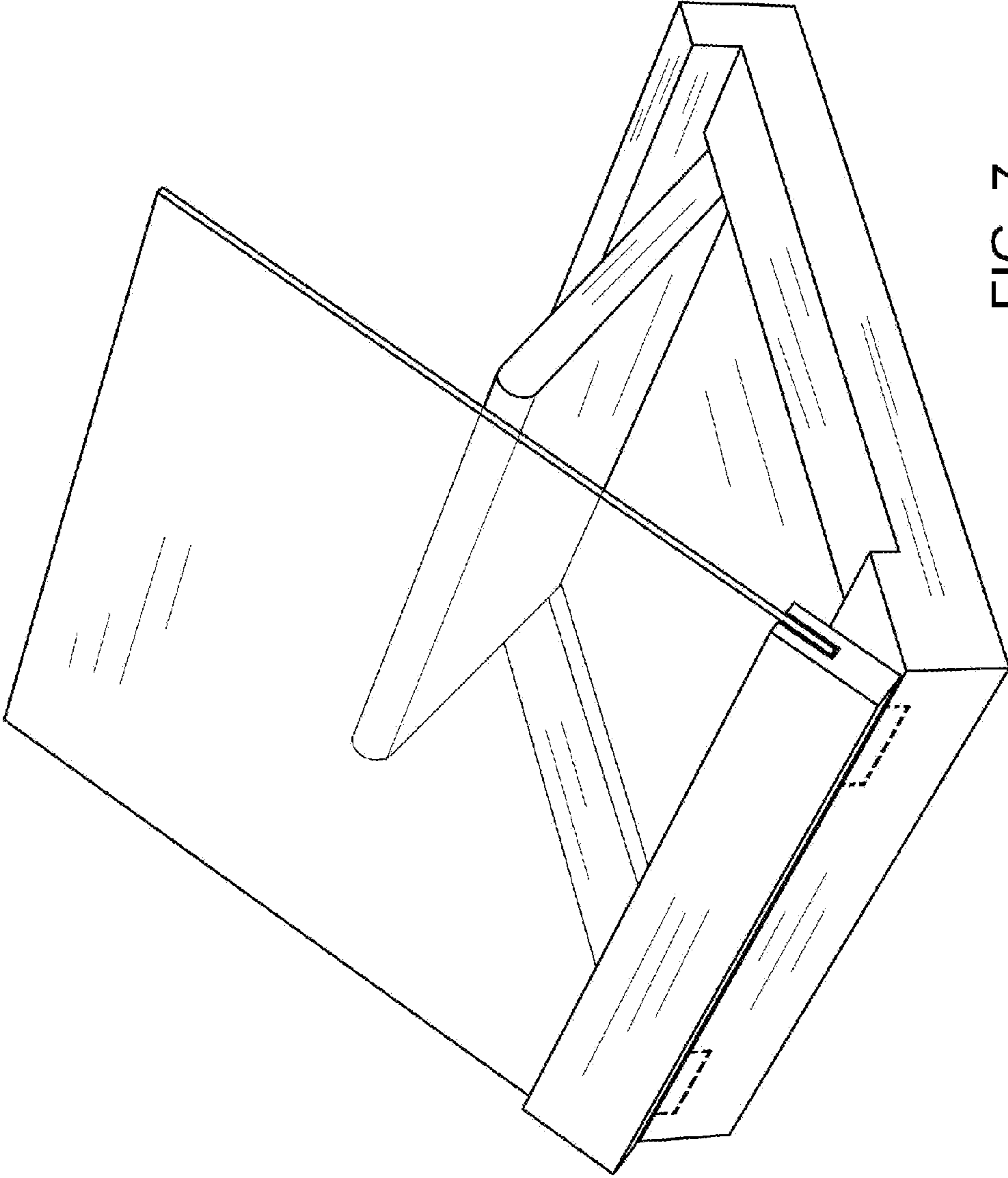


FIG. 7

FIG. 8

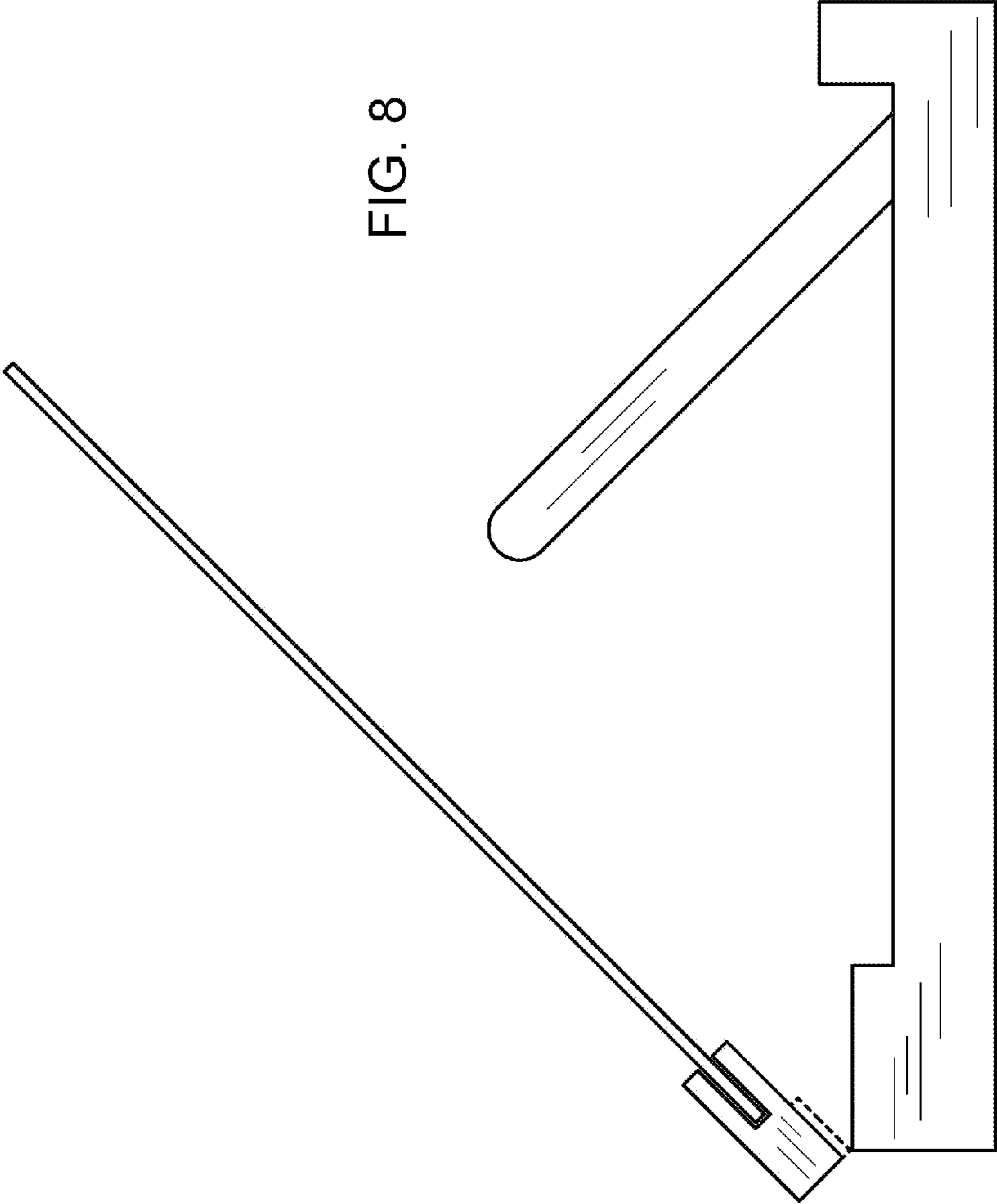


FIG. 9

