



US00D696724S

(12) **United States Design Patent**
Leanza

(10) **Patent No.:** **US D696,724 S**
(45) **Date of Patent:** **** Dec. 31, 2013**

(54) **CLIPBOARD**

(71) Applicant: **Anthony S. Leanza**, Olmsted Township,
OH (US)

(72) Inventor: **Anthony S. Leanza**, Olmsted Township,
OH (US)

(**) Term: **14 Years**

(21) Appl. No.: **29/433,993**

(22) Filed: **Oct. 8, 2012**

(51) **LOC (9) Cl.** **19-02**

(52) **U.S. Cl.**
USPC **D19/88**

(58) **Field of Classification Search**
USPC D3/273, 276, 282, 900; D7/698; D18/2;
D19/52, 88; 24/67 R; 40/341; 248/447,
248/452; 281/45

See application file for complete search history.

(56) **References Cited**

U.S. PATENT DOCUMENTS

| | | | | |
|---------------|---------|-----------------|-------|--------|
| D285,392 S * | 9/1986 | Thompson | | D6/399 |
| D341,626 S * | 11/1993 | Rosmarin et al. | | D19/88 |
| D353,399 S * | 12/1994 | Dodge | | D19/88 |
| D360,649 S * | 7/1995 | Volk et al. | | D19/36 |
| D383,496 S * | 9/1997 | Siegel et al. | | D19/88 |
| 5,758,902 A * | 6/1998 | McManus | | 281/45 |
| D410,945 S * | 6/1999 | Chu | | D18/2 |

| | | | | |
|----------------|---------|----------|-------|--------|
| D416,586 S * | 11/1999 | Landauer | | D19/88 |
| 6,846,090 B1 * | 1/2005 | Smith | | 362/99 |
| D538,348 S * | 3/2007 | Leanza | | D19/88 |
| D572,309 S * | 7/2008 | Bhavnani | | D19/88 |
| D636,440 S * | 4/2011 | Leung | | D19/88 |

* cited by examiner

Primary Examiner — Elizabeth Albert

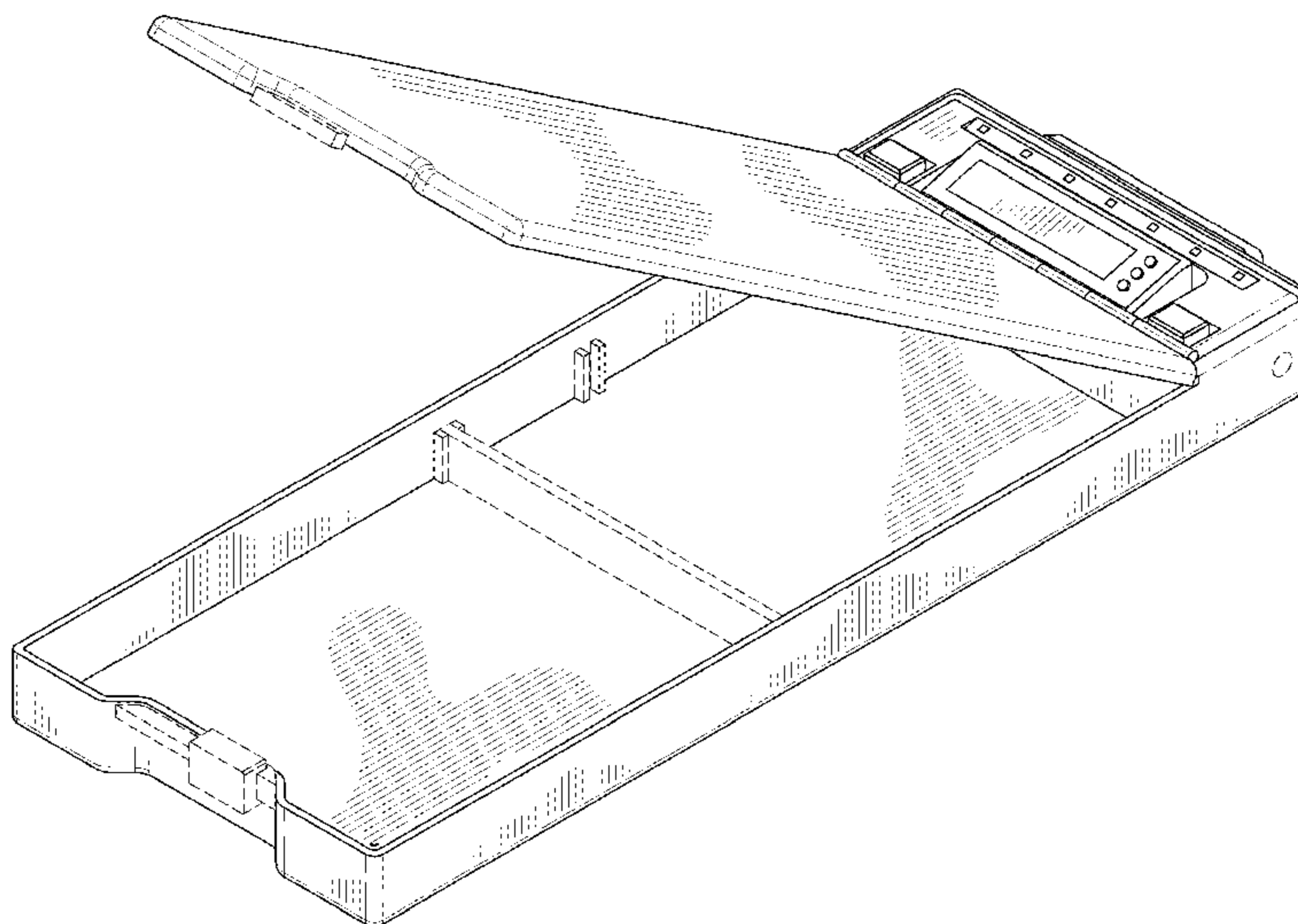
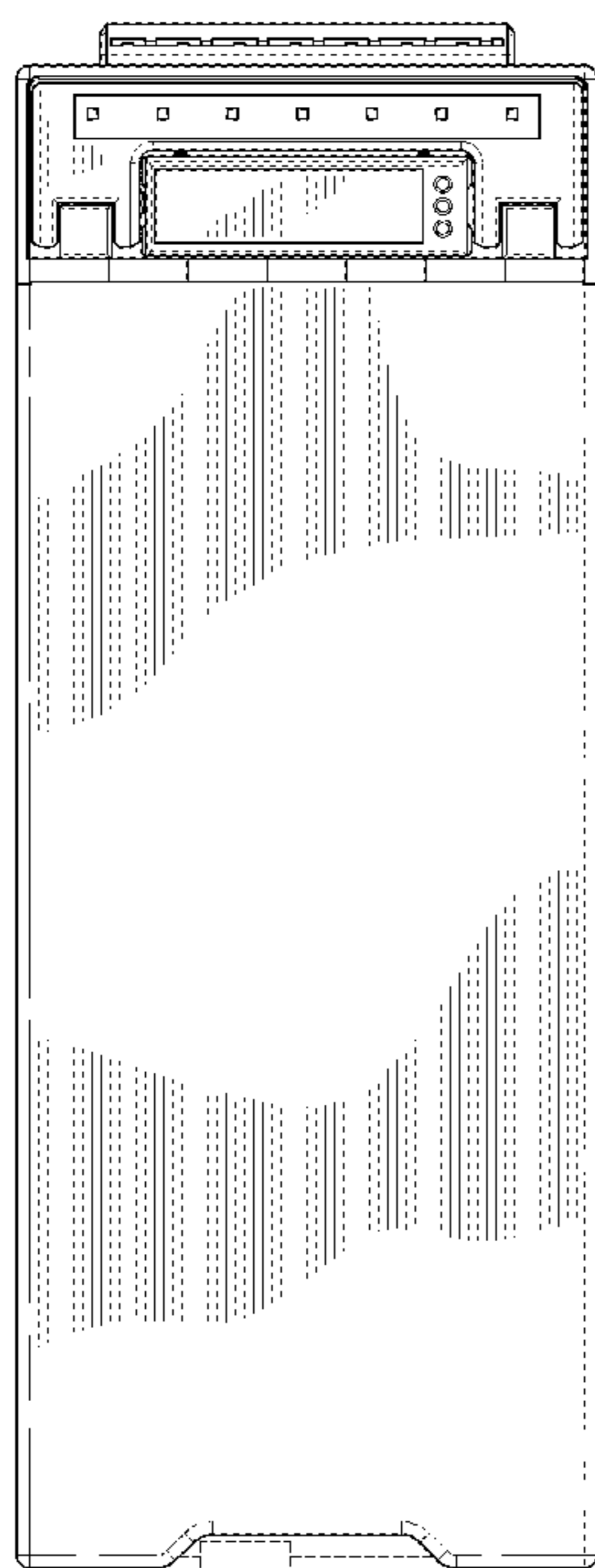
(57) **CLAIM**

The ornamental design for an clipboard, as shown and described.

DESCRIPTION

FIG. 1 is a front, top perspective view of the clipboard showing my new design;
 FIG. 2 is a top, side perspective view of FIG. 1;
 FIG. 3 is a back elevation view of FIG. 1;
 FIG. 4 is a top plan view of FIG. 1;
 FIG. 5 is a right side elevation view of FIG. 1;
 FIG. 6 is a bottom plan view of FIG. 1;
 FIG. 7 is a left side elevation view of FIG. 1;
 FIG. 8 is an inverted front elevation view of FIG. 1;
 FIG. 9 is a front, top perspective view of Figure with the light bridge swiveled into an upright position; and,
 FIG. 10 is a front, top perspective view of FIG. 1 with the door to the storage box in a partially open position.
 The broken lines showing features of the clipboard in FIGS. 1, 2, and 4 through 10 are included for the purpose of showing portions that form no part of the claimed design.

1 Claim, 6 Drawing Sheets



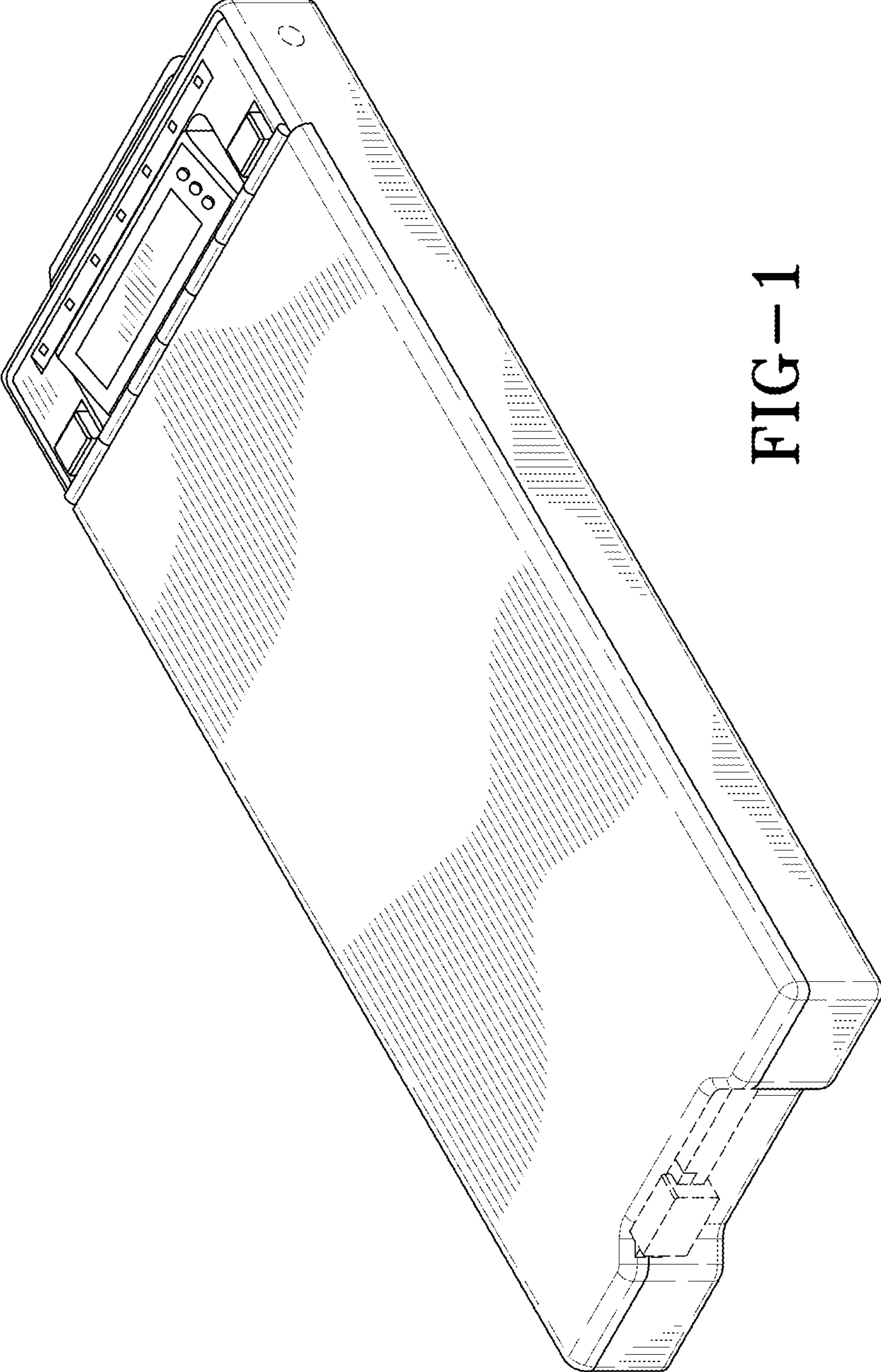


FIG-1

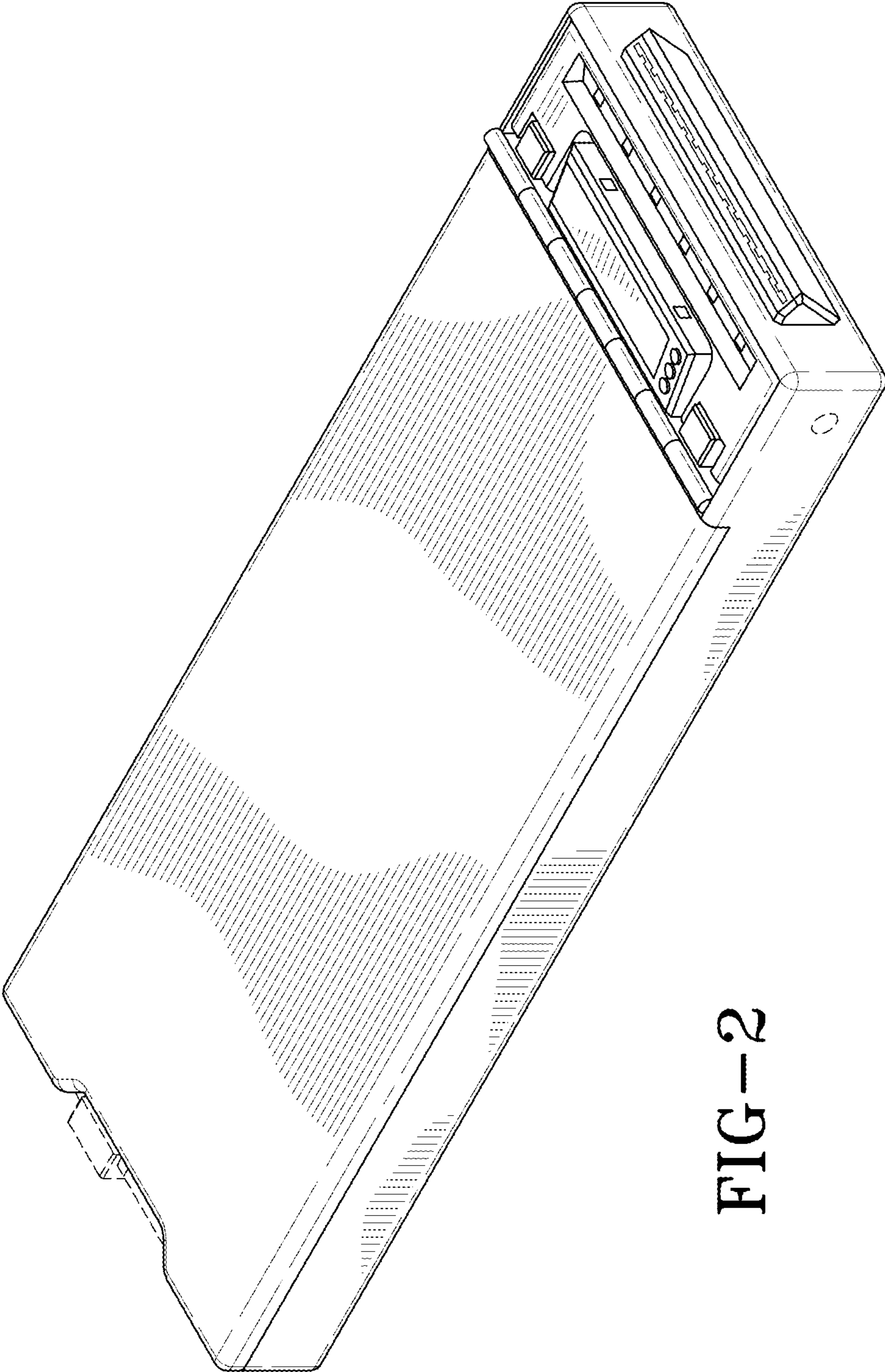


FIG-2

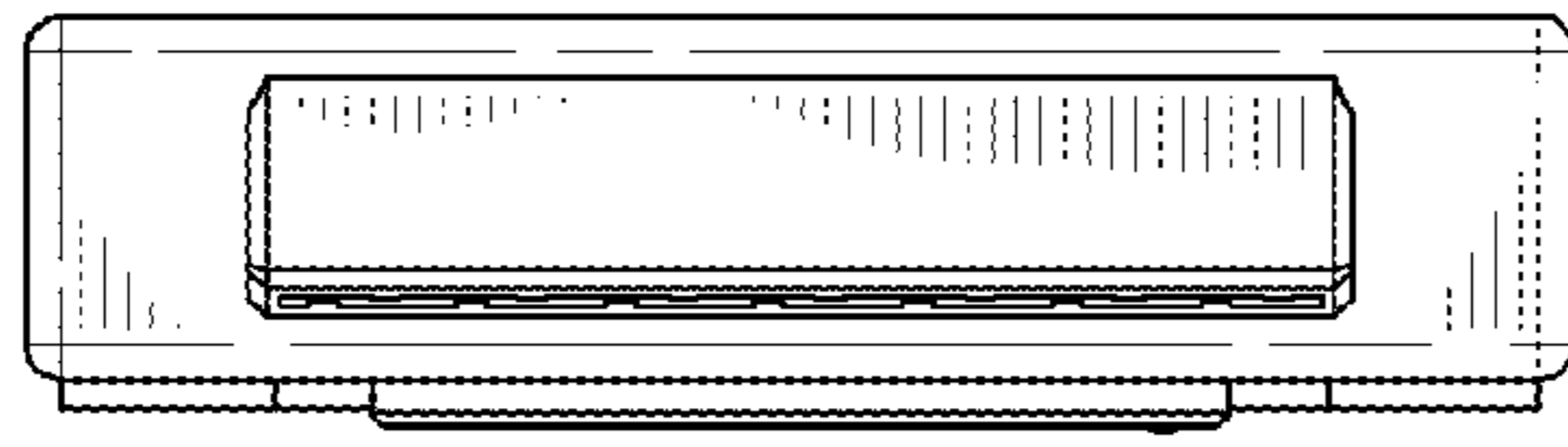


FIG-3

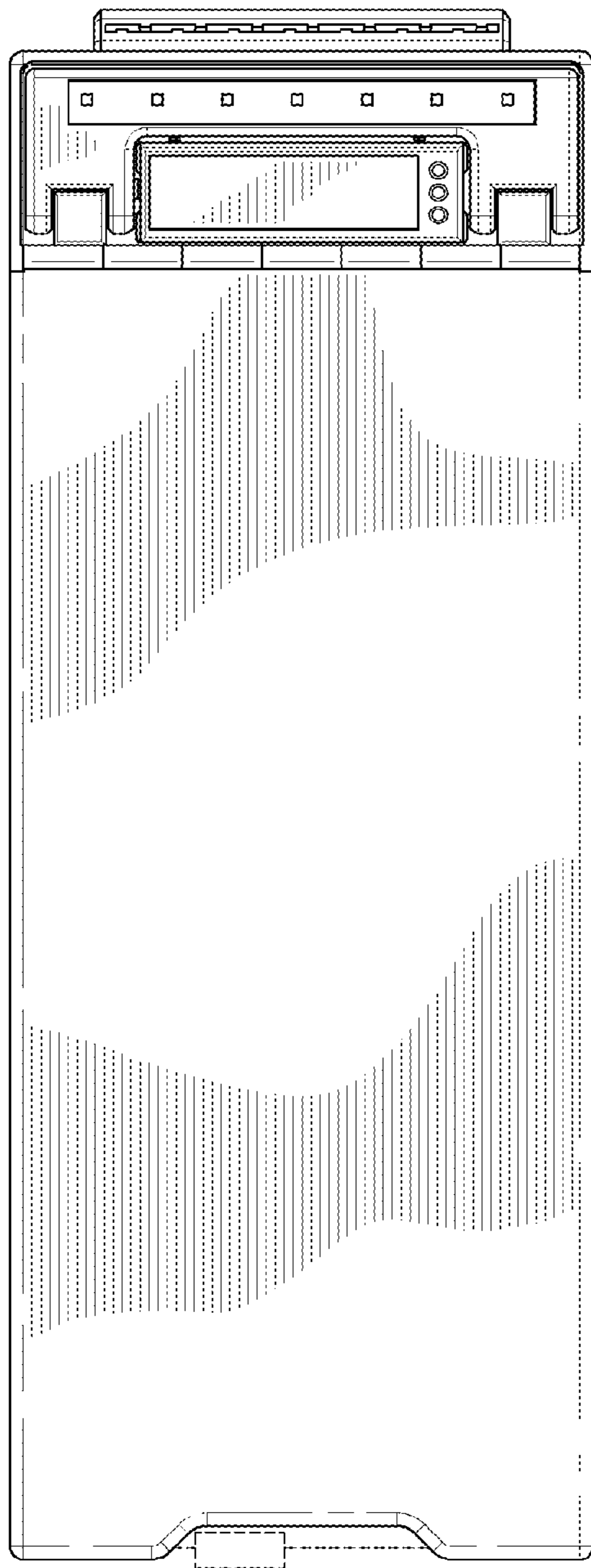


FIG-4

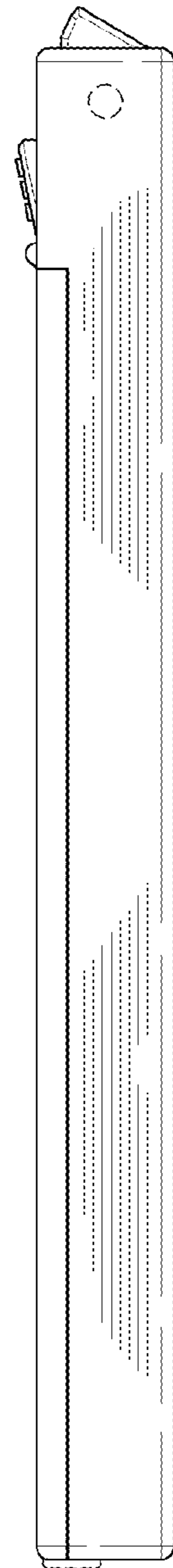


FIG-5

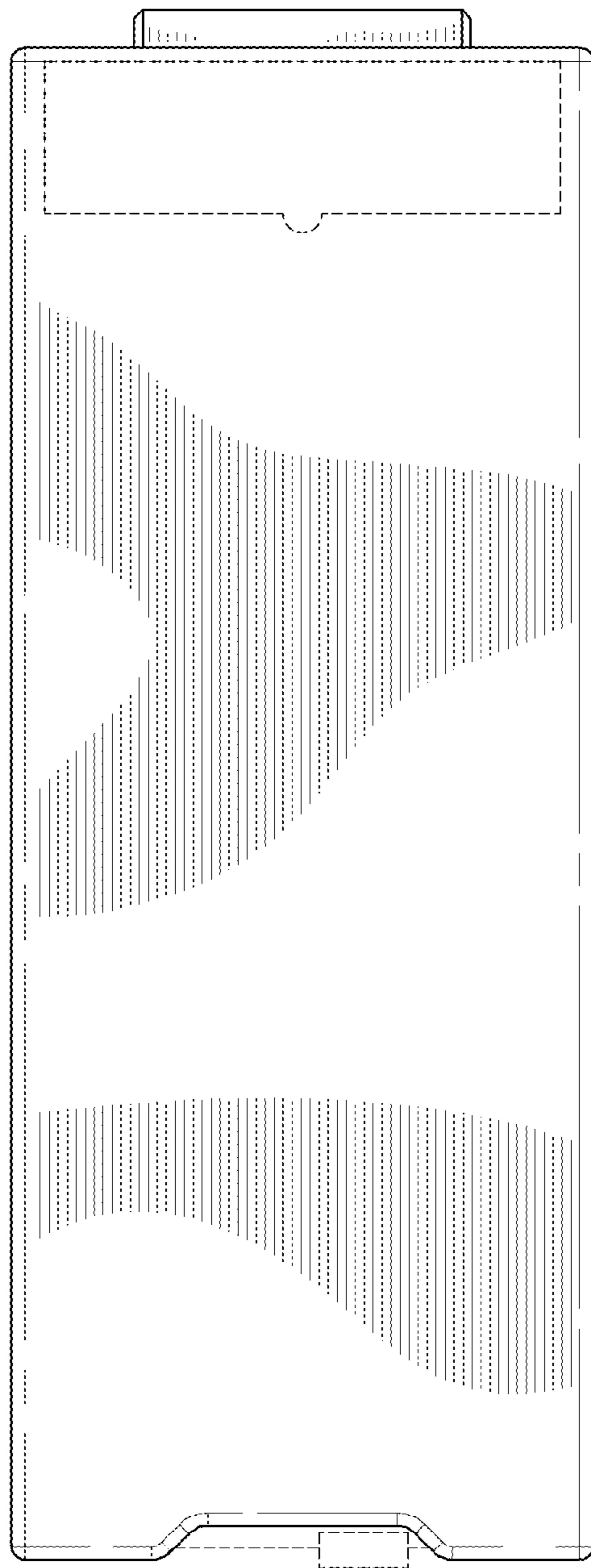


FIG-6

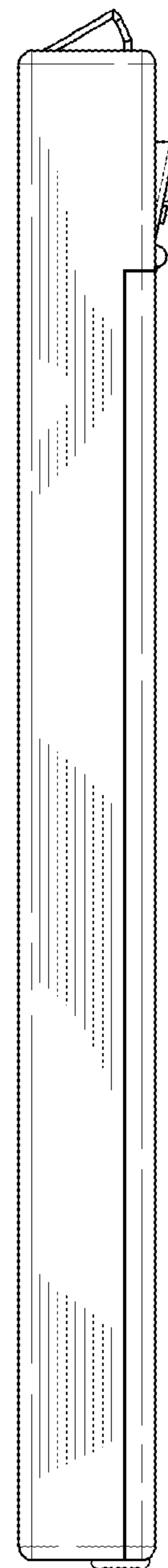


FIG-7

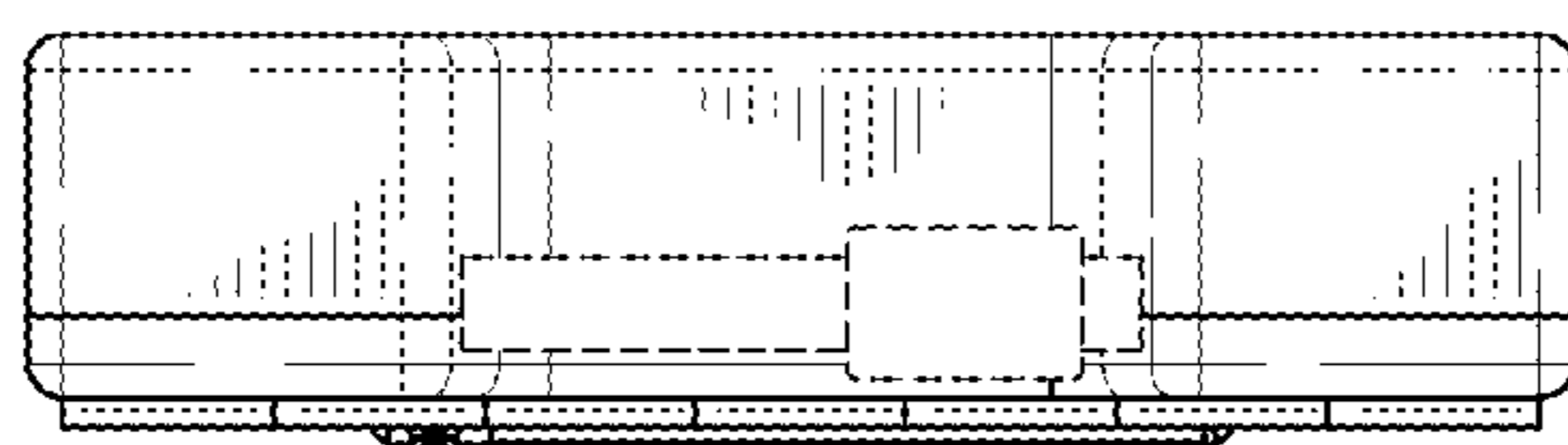


FIG-8

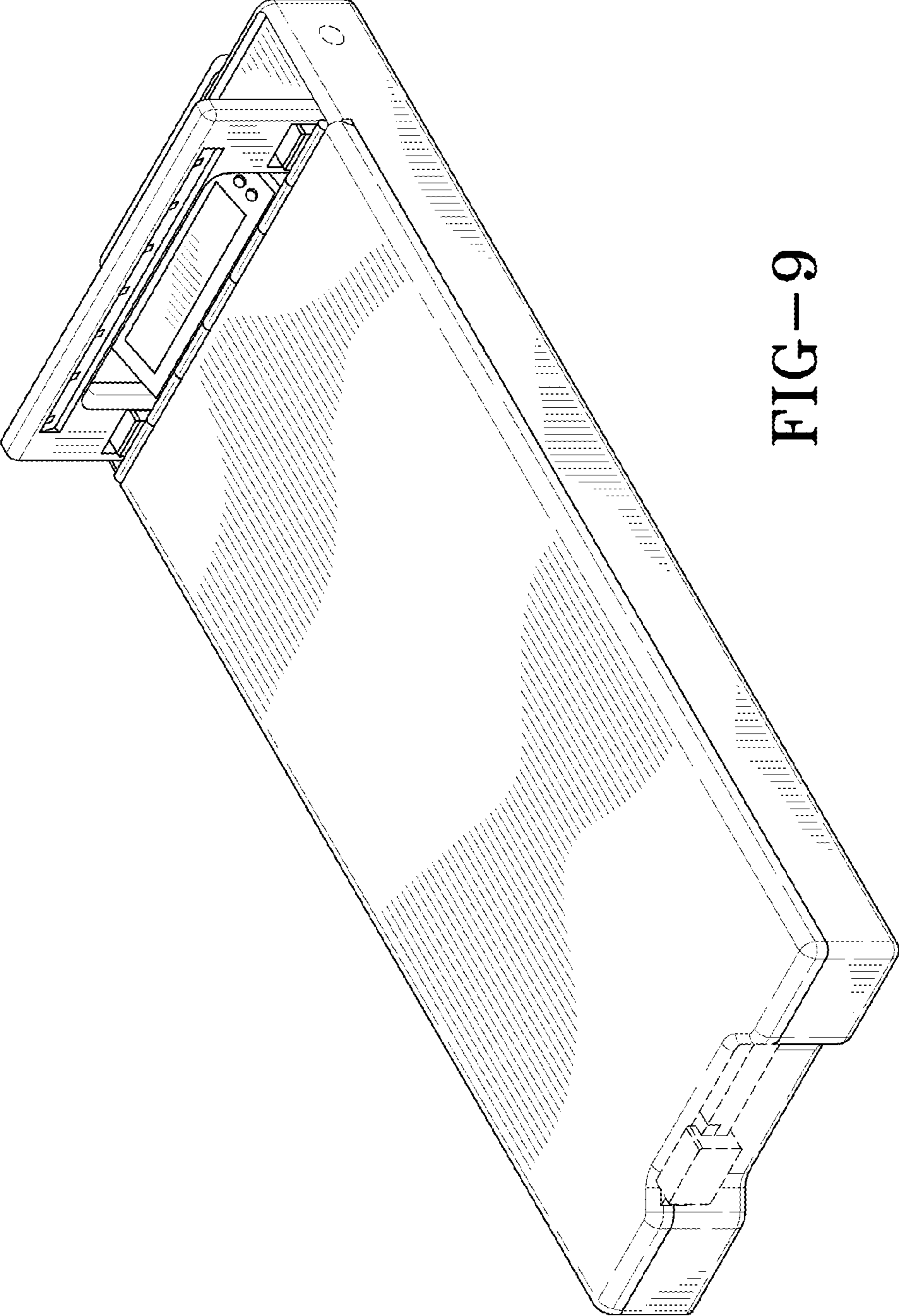


FIG-9

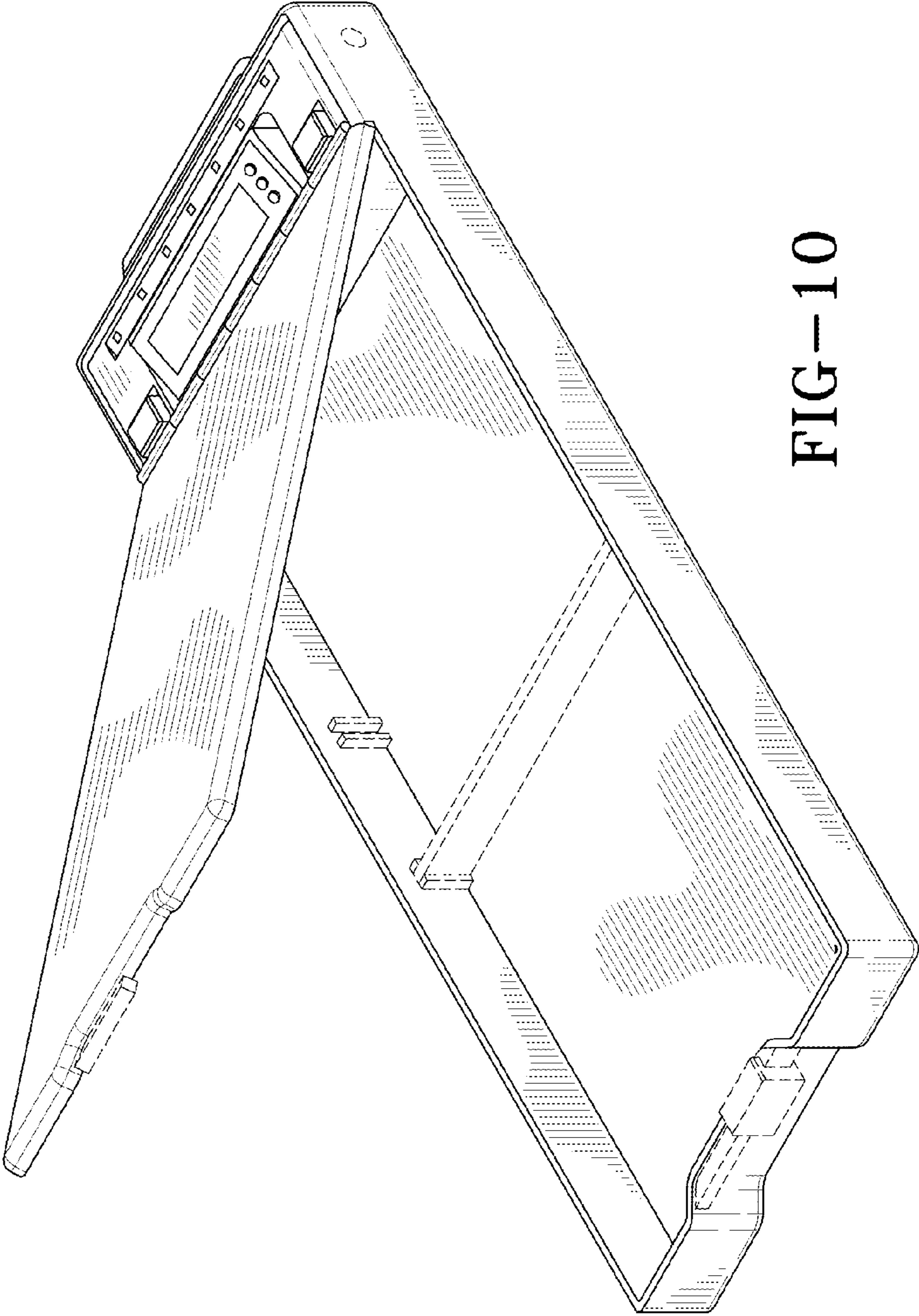


FIG-10