

US00D696723S

(12) **United States Design Patent**
Livingstone

(10) **Patent No.:** **US D696,723 S**

(45) **Date of Patent:** **** Dec. 31, 2013**

- (54) **NOTE DISPENSER**
- (71) Applicant: **3M Innovative Properties Company**,
St. Paul, MN (US)
- (72) Inventor: **David E. Livingstone**, Ontario (CA)
- (73) Assignee: **3M Innovative Properties Company**,
St. Paul, MN (US)
- (**) Term: **14 Years**
- (21) Appl. No.: **29/437,434**
- (22) Filed: **Nov. 16, 2012**
- (51) **LOC (9) Cl.** **19-02**
- (52) **U.S. Cl.**
USPC **D19/86**
- (58) **Field of Classification Search**
USPC D3/201, 206, 247; D6/515, 517, 518;
D9/414, 432; D19/75, 78, 86, 90-92;
206/37, 39, 39.5, 215, 233, 425;
221/282, 283, 284, 285; D21/386, 390,
D21/488, 710; D24/101, 103; D25/117;
D28/8.1

See application file for complete search history.

(56) **References Cited**

U.S. PATENT DOCUMENTS

450,378	A *	4/1891	Robinson	451/461
646,755	A *	4/1900	O'Connell	414/800
683,181	A *	9/1901	Mereness	510/440
922,897	A *	5/1909	Heydon	273/259
1,527,051	A *	2/1925	Longan	434/235
2,226,516	A *	12/1940	Ross	473/588
3,075,249	A *	1/1963	Sucher	264/255
3,103,295	A *	9/1963	Ghee	220/737
3,464,124	A *	9/1969	Lynd	434/170
3,698,122	A *	10/1972	Adams	446/118
3,704,891	A *	12/1972	Chiarelli	473/446
3,856,932	A *	12/1974	May	424/405
4,014,122	A *	3/1977	Woods	40/358

4,036,501	A *	7/1977	Hovnanian	273/258
4,217,331	A *	8/1980	Schaub	422/265
4,300,766	A *	11/1981	Haynes	273/108.1
4,313,689	A *	2/1982	Reinschutz	404/73
4,643,683	A *	2/1987	Orsini et al.	434/403
4,878,668	A *	11/1989	Nevoral	473/588
4,915,954	A *	4/1990	Ayer et al.	424/473
4,952,216	A *	8/1990	Good	44/553
D310,688	S *	9/1990	Windorski	D19/86
4,986,440	A *	1/1991	Windorski	221/45
D316,112	S *	4/1991	Windorski	D19/86
5,080,255	A *	1/1992	Windorski	221/45
5,148,496	A *	9/1992	Anderson	382/211
5,240,251	A *	8/1993	Filice	473/588
D342,096	S *	12/1993	Cornell	D19/86
5,431,397	A *	7/1995	Eckel et al.	273/108.1
5,458,433	A *	10/1995	Stastny	403/408.1
D367,902	S *	3/1996	Silk	D21/710

(Continued)

Primary Examiner — Elizabeth Albert

(74) *Attorney, Agent, or Firm* — Irina Hass

(57) **CLAIM**

The ornamental design for a note dispenser, as shown and described.

DESCRIPTION

FIG. 1 is a perspective view showing the new design for a note dispenser;

FIG. 2 is a right side view thereof;

FIG. 3 is a left side view thereof;

FIG. 4 is a top view thereof;

FIG. 5 is a front view thereof;

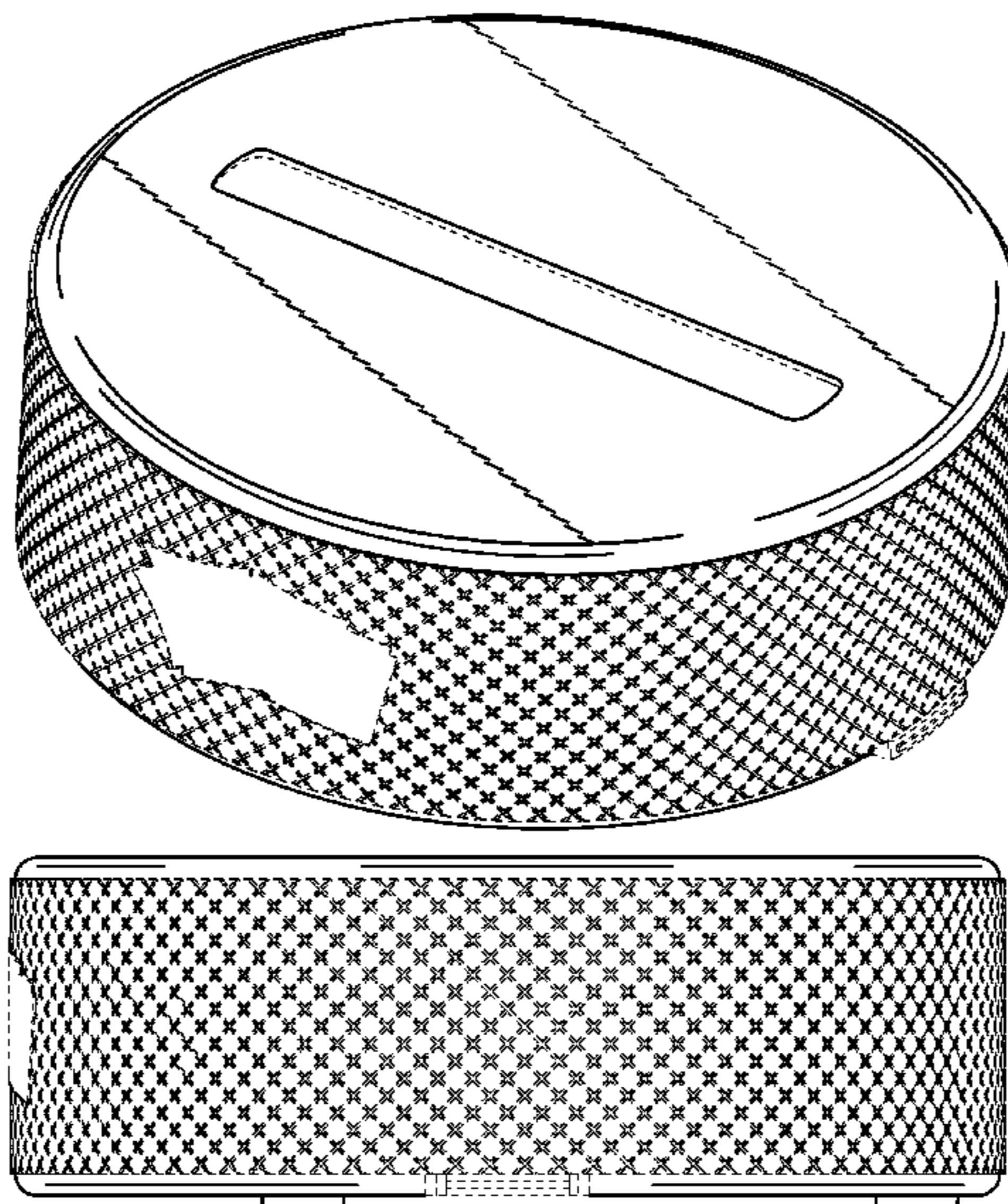
FIG. 6 is a bottom view thereof;

FIG. 7 is a rear view thereof; and,

FIG. 8 is a perspective view thereof showing the note dispenser with a note.

The broken lines in FIGS. 1-8 are included for the purpose of showing portions of the note dispenser that form no part of the claimed design.

1 Claim, 5 Drawing Sheets



(56)

References Cited

U.S. PATENT DOCUMENTS

5,501,468 A * 3/1996 Browne 473/588
 5,537,042 A * 7/1996 Beutler et al. 324/432
 D374,897 S * 10/1996 Whisman D21/710
 D385,214 S * 10/1997 Cappoza D11/157
 5,692,981 A * 12/1997 Whisman 473/588
 5,707,308 A * 1/1998 Liu 473/588
 5,816,962 A * 10/1998 Etersque 473/563
 D401,649 S * 11/1998 Bellehumeur D21/710
 5,839,977 A * 11/1998 Maurer et al. 473/446
 6,024,078 A * 2/2000 Hollis et al. 124/78
 D421,762 S * 3/2000 Shirley et al. D16/227
 D429,542 S * 8/2000 Beaujean D28/8.1

D431,114 S * 9/2000 Smith et al. D6/309
 6,120,565 A * 9/2000 Dix et al. 29/623.1
 6,146,293 A * 11/2000 Chinn et al. 473/588
 6,154,477 A * 11/2000 Weidenheimer et al. .. 372/50.12
 6,189,887 B1 * 2/2001 Dommasch 273/260
 6,341,429 B1 * 1/2002 Herskovitz 33/512
 D493,518 S * 7/2004 McAllister et al. D24/104
 D498,501 S * 11/2004 Stoddard et al. D19/86
 D500,576 S * 1/2005 Kraus D1/199
 D561,852 S * 2/2008 Frey D21/710
 D579,993 S * 11/2008 Fairchild et al. D21/710
 D592,273 S * 5/2009 Eisch D23/207
 D606,595 S * 12/2009 Levy et al. D21/405
 D637,224 S * 5/2011 Smith D17/24

* cited by examiner

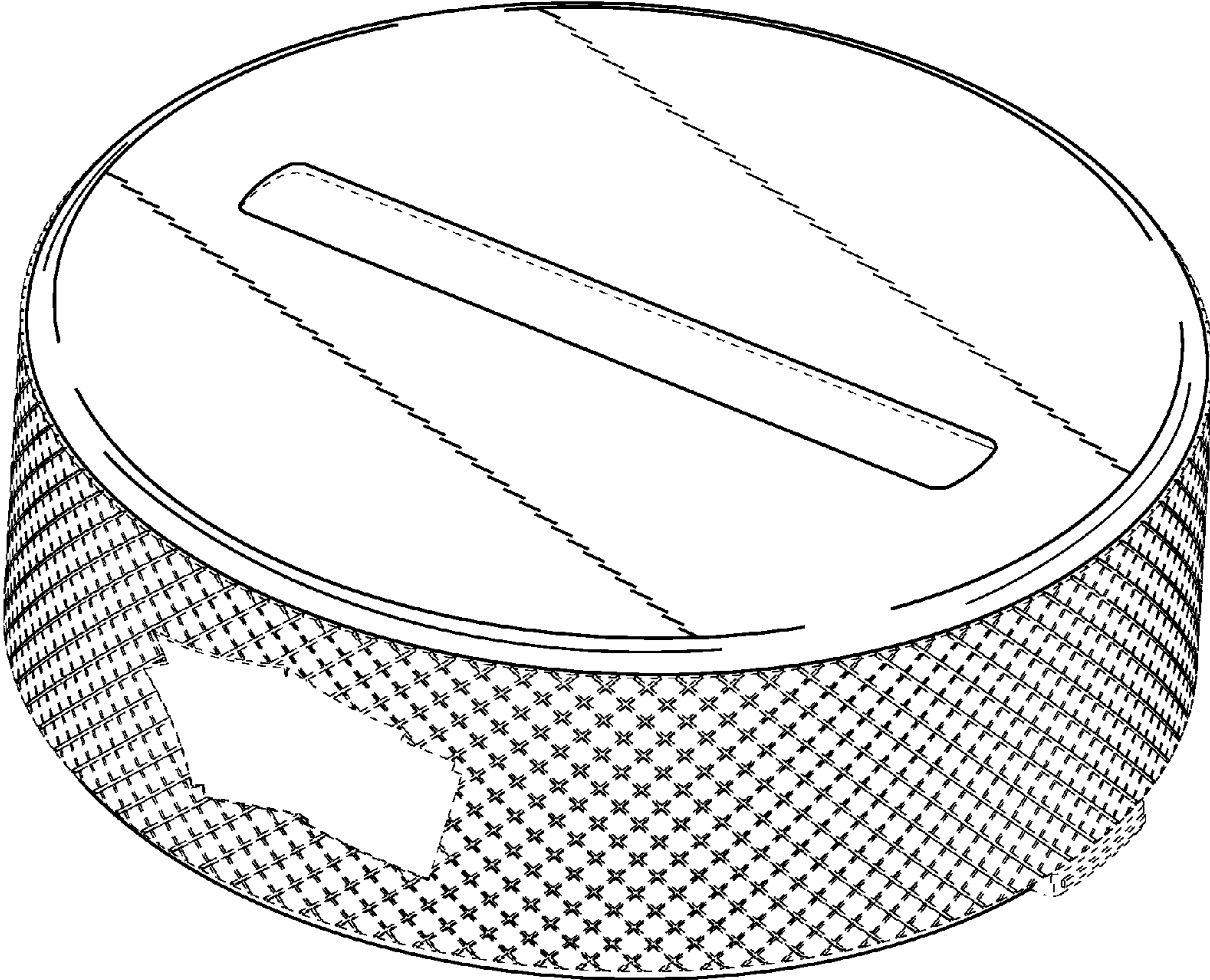


FIG. 1

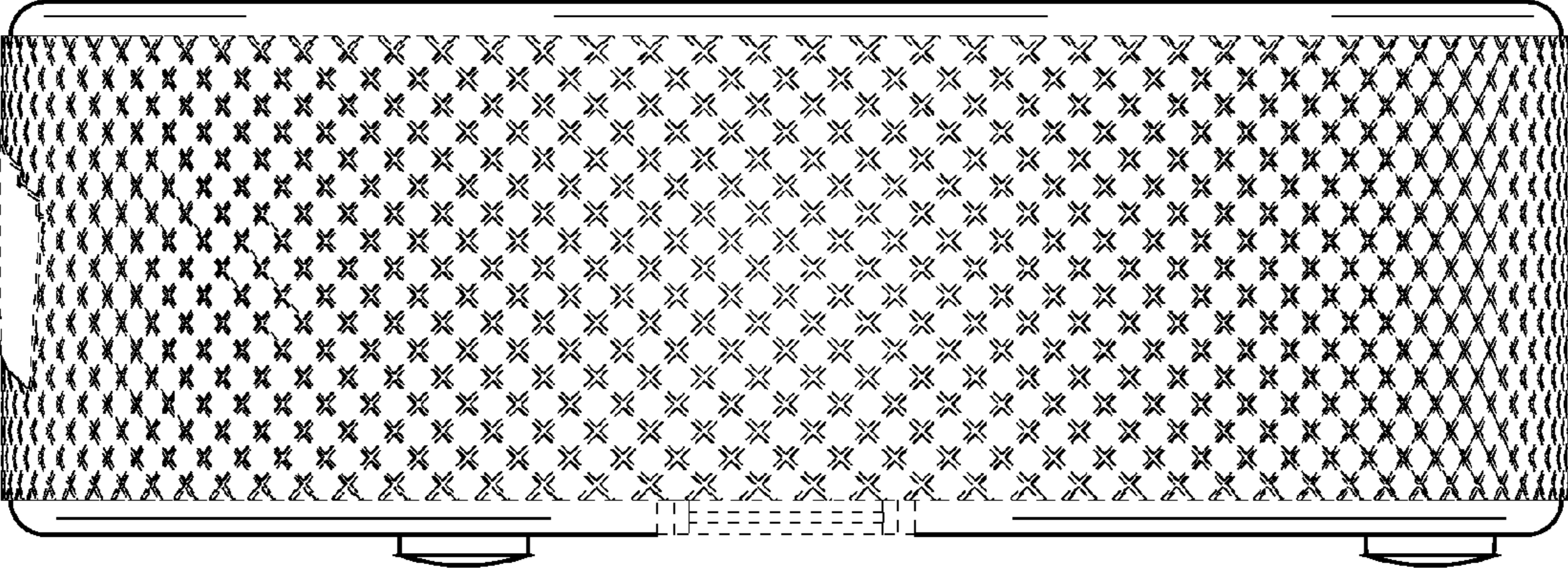


FIG. 2

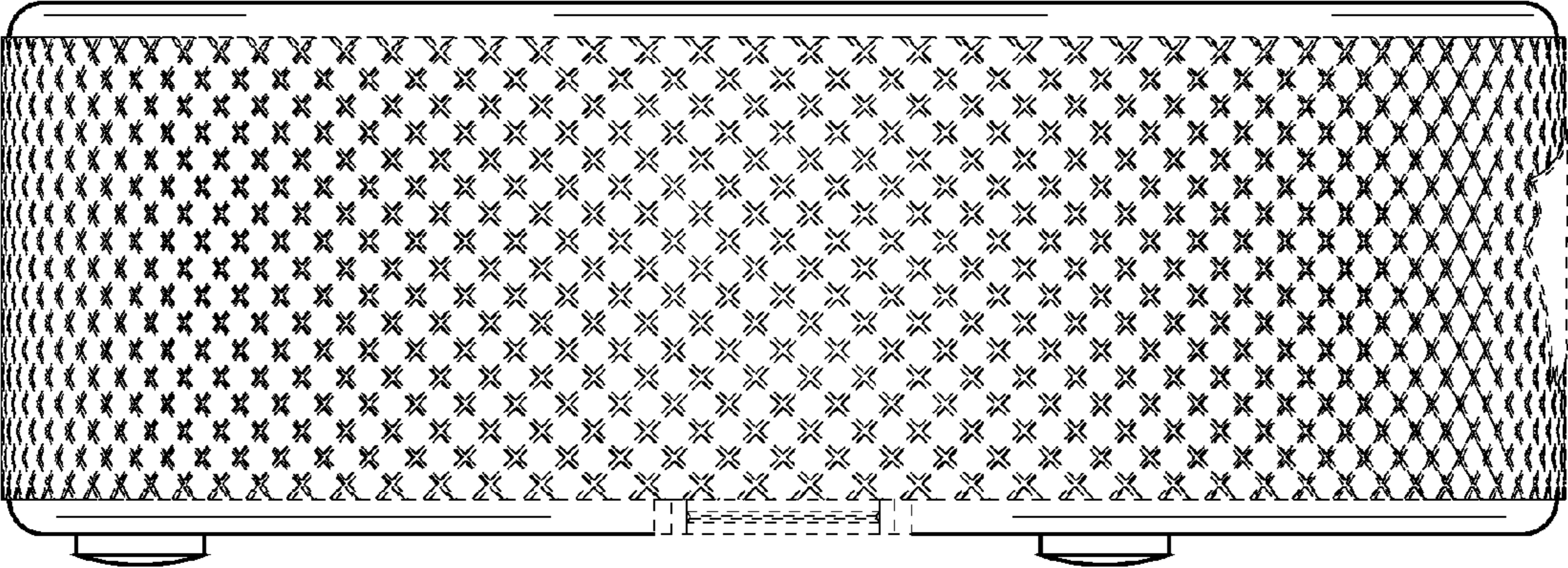


FIG. 3

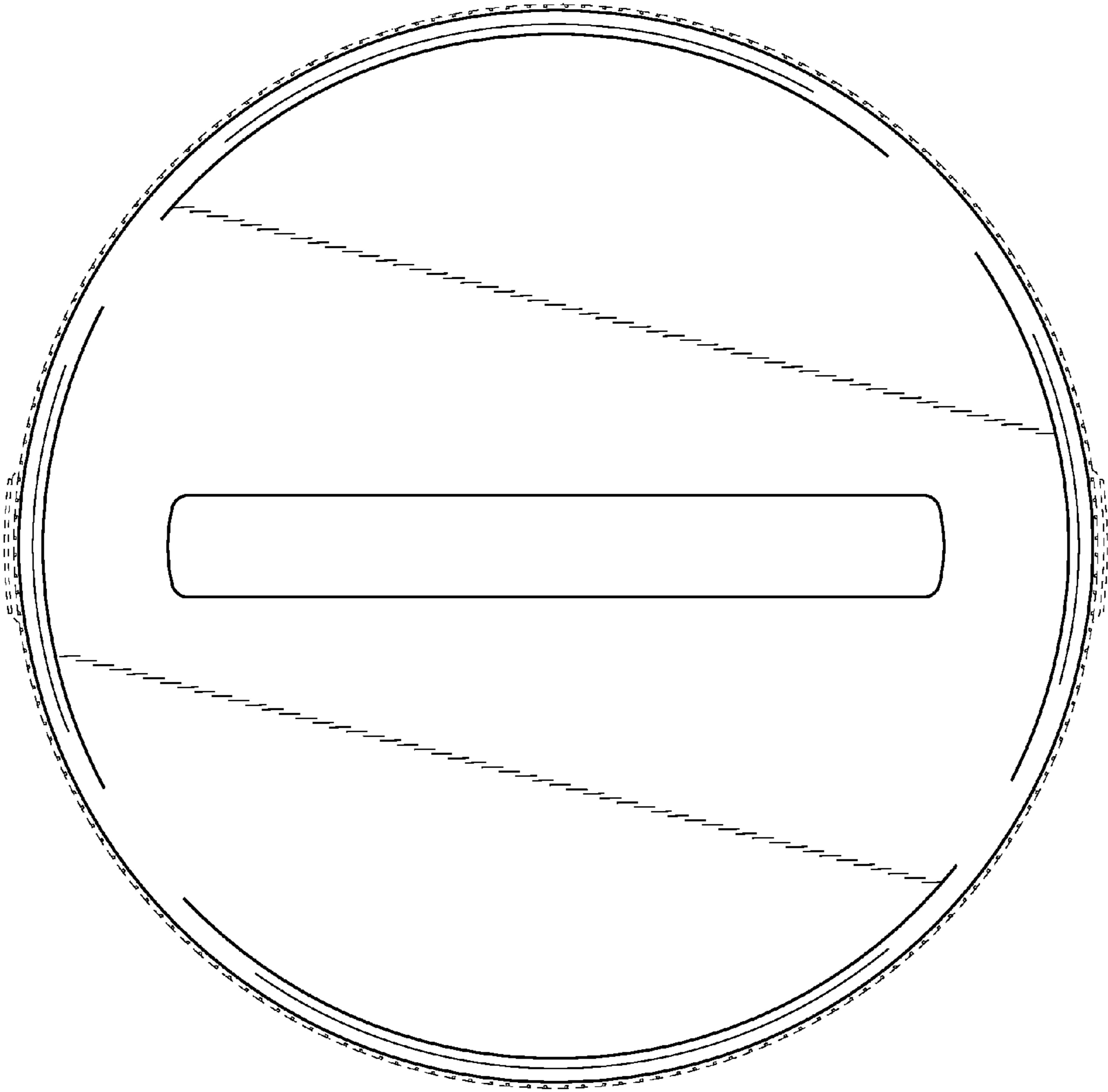


FIG. 4

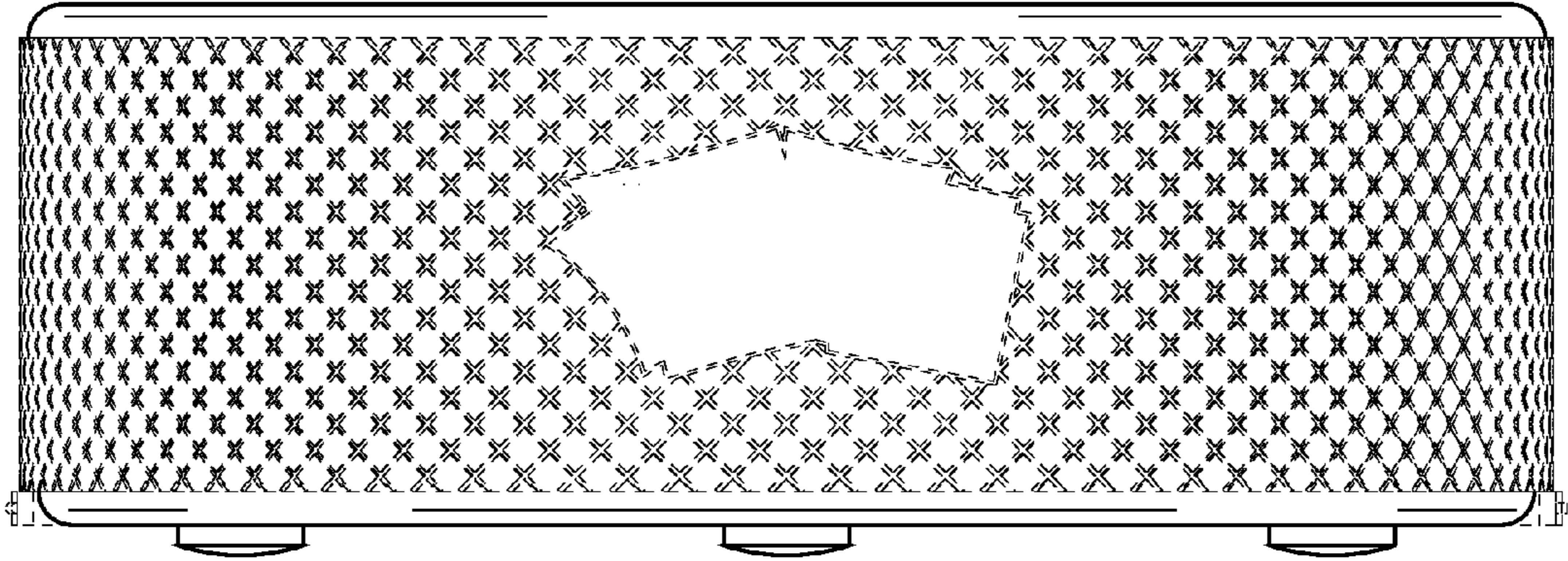


FIG. 5

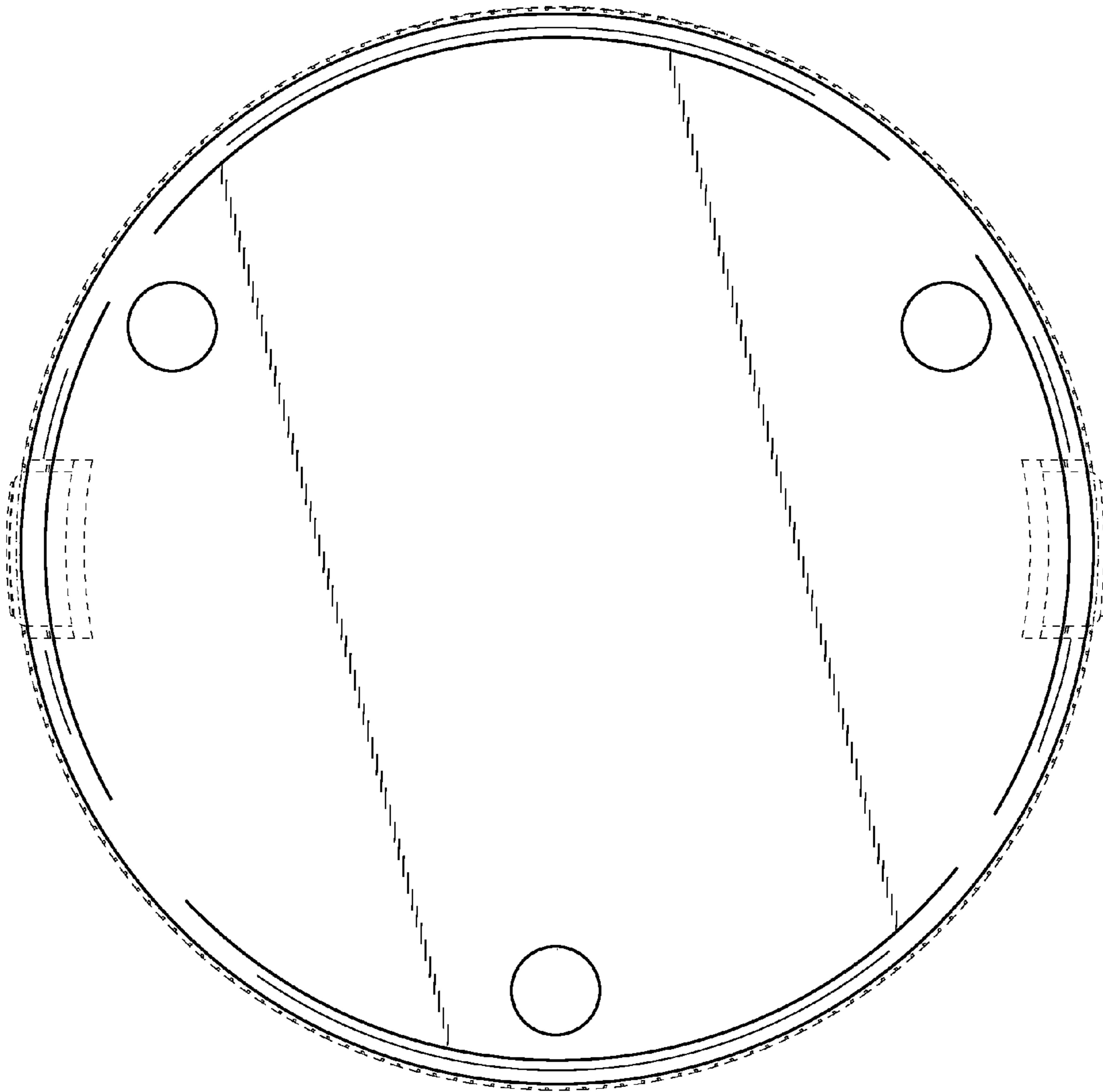


FIG. 6

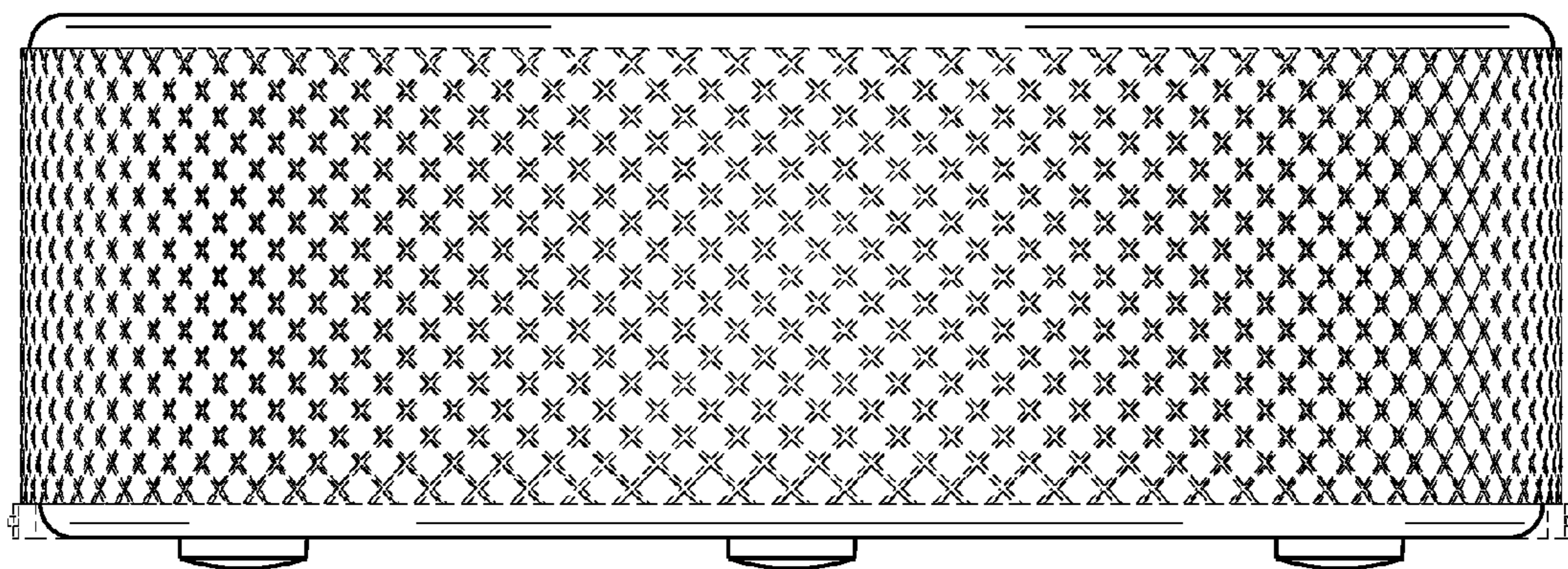


FIG. 7

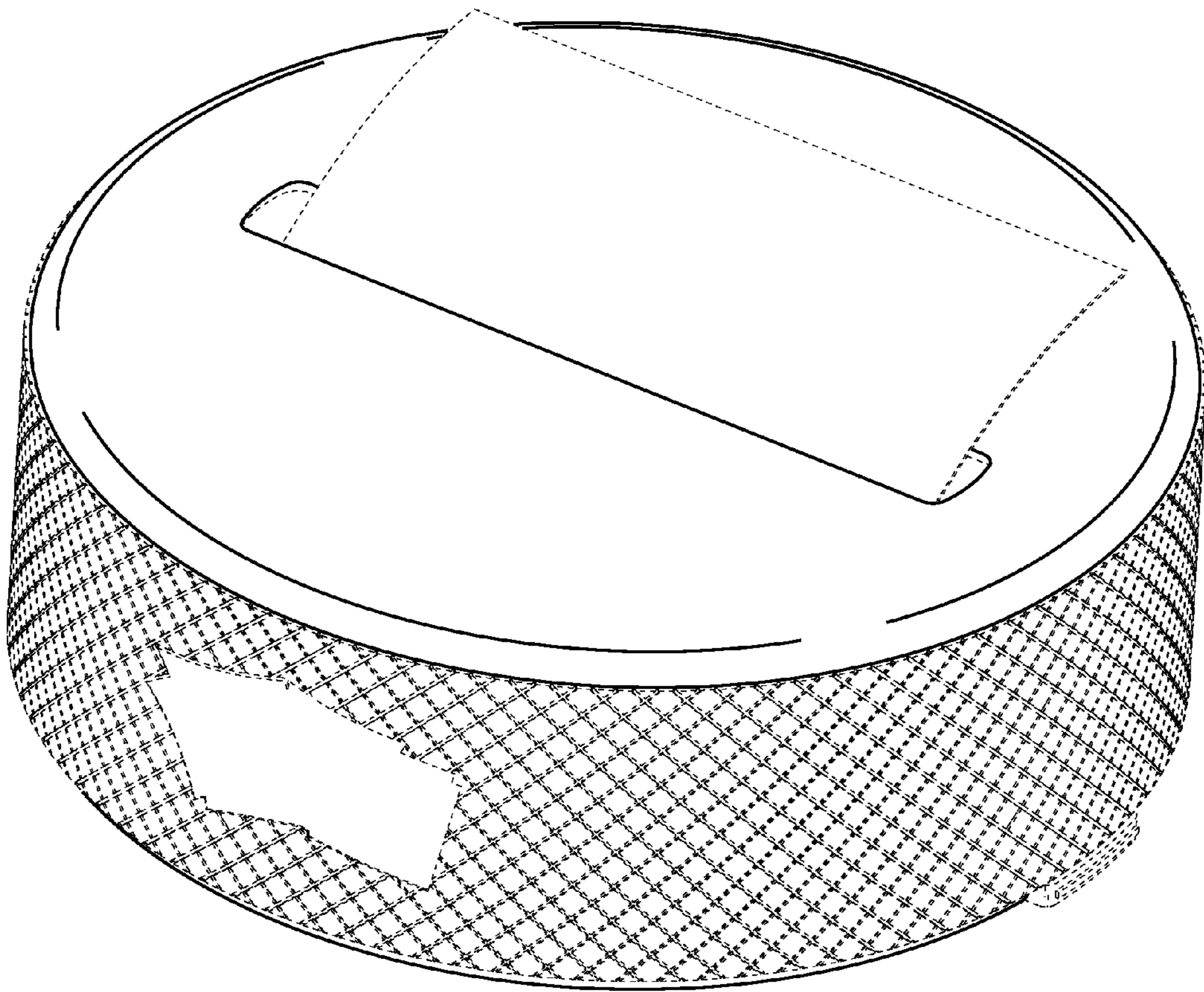


FIG. 8