

US00D696721S

(12) **United States Design Patent**  
**Kitagawa et al.**

(10) **Patent No.:** **US D696,721 S**

(45) **Date of Patent:** **\*\* Dec. 31, 2013**

(54) **INK TANK FOR PRINTER**

(75) Inventors: **Takatoshi Kitagawa**, Kawasaki (JP);  
**Hideo Fukazawa**, Chigasaki (JP);  
**Takashi Kusanagi**, Akishima (JP);  
**Yasuo Kotaki**, Yokohama (JP); **Tetsuya**  
**Ohashi**, Matsudo (JP); **Hitoshi Takada**,  
Yokohama (JP); **Koichi Kubo**,  
Yokohama (JP); **Takeho Miyashita**,  
Machida (JP)

(73) Assignee: **Canon Kabushiki Kaisha**, Tokyo (JP)

(\*\*) Term: **14 Years**

(21) Appl. No.: **29/427,618**

(22) Filed: **Jul. 20, 2012**

(30) **Foreign Application Priority Data**

Feb. 24, 2012 (JP) ..... 2012-003840

(51) **LOC (9) Cl.** ..... **18-02**

(52) **U.S. Cl.**  
USPC ..... **D18/59**

(58) **Field of Classification Search**  
USPC ..... D18/56; 347/86-87  
See application file for complete search history.

(56) **References Cited**

U.S. PATENT DOCUMENTS

D467,267	S	*	12/2002	Nanjo et al.	.....	D18/56
6,945,642	B2	*	9/2005	Yamamoto et al.	.....	347/86
D530,365	S	*	10/2006	Wakayama et al.	.....	D18/56
D530,740	S	*	10/2006	Engel	.....	D18/56
D540,377	S		4/2007	Hatasa et al.		
D611,531	S	*	3/2010	Hatasa et al.	.....	D18/56
D611,532	S		3/2010	Nanjo et al.		
D624,960	S		10/2010	Inoue et al.		
D626,173	S		10/2010	Inoue et al.		
D634,362	S	*	3/2011	Inoue	.....	D18/56
D637,227	S	*	5/2011	Deng et al.	.....	D18/56

\* cited by examiner

*Primary Examiner* — Cathy A MacCormac

(74) *Attorney, Agent, or Firm* — Fitzpatrick, Cella, Harper & Scinto

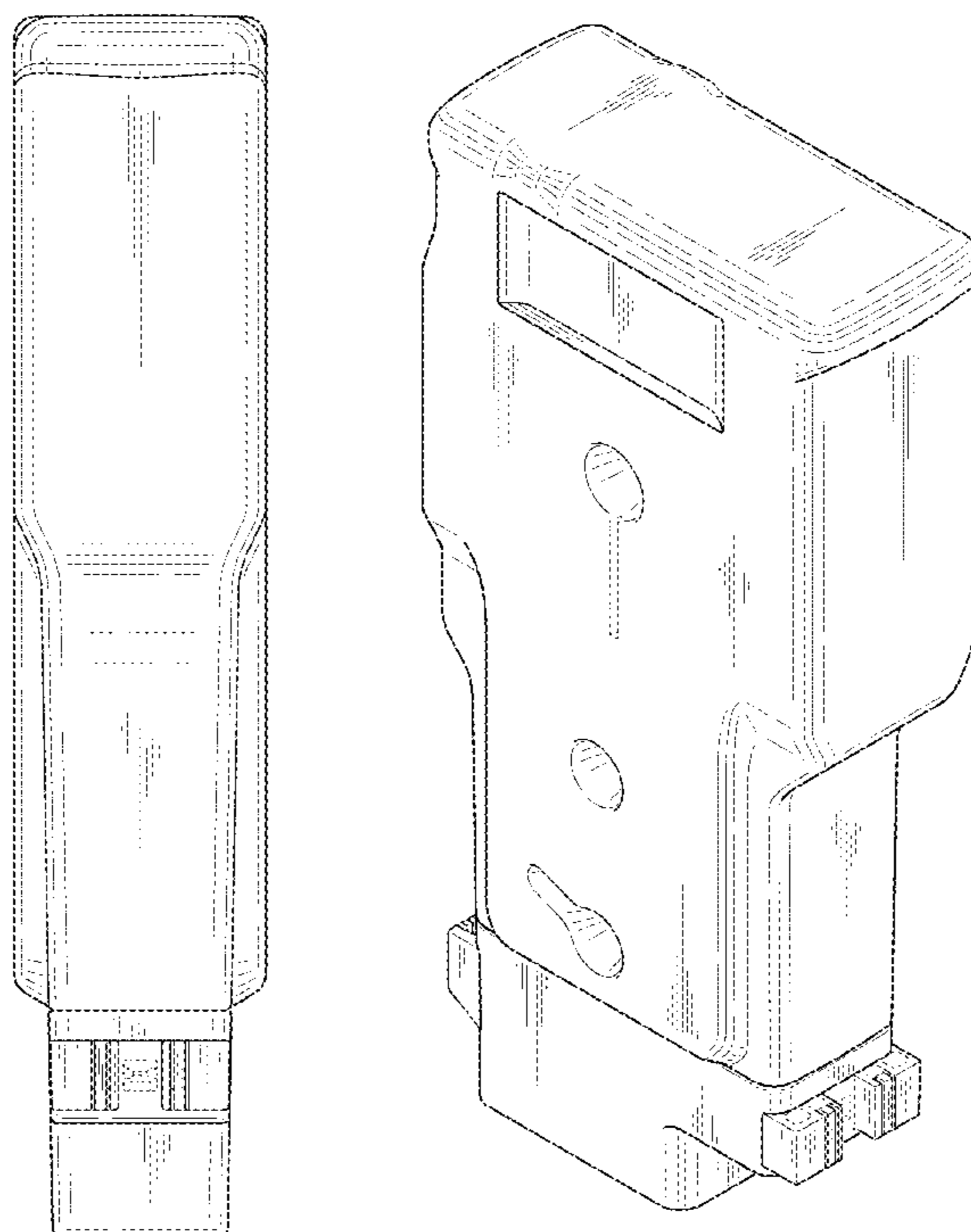
(57) **CLAIM**

The ornamental design for an ink tank for printer, as shown and described.

**DESCRIPTION**

FIG. 1 is a front view of an ink tank for printer showing our new design;  
FIG. 2 is a rear view thereof;  
FIG. 3 is a top plan view thereof;  
FIG. 4 is a bottom plan view thereof;  
FIG. 5 is a left side view thereof;  
FIG. 6 is a right side view thereof; and,  
FIG. 7 is a rear, top and left side perspective view thereof.  
The broken lines shown in the drawings illustrate portions of the ink tank for printer that form no part of the claimed design.

**1 Claim, 5 Drawing Sheets**



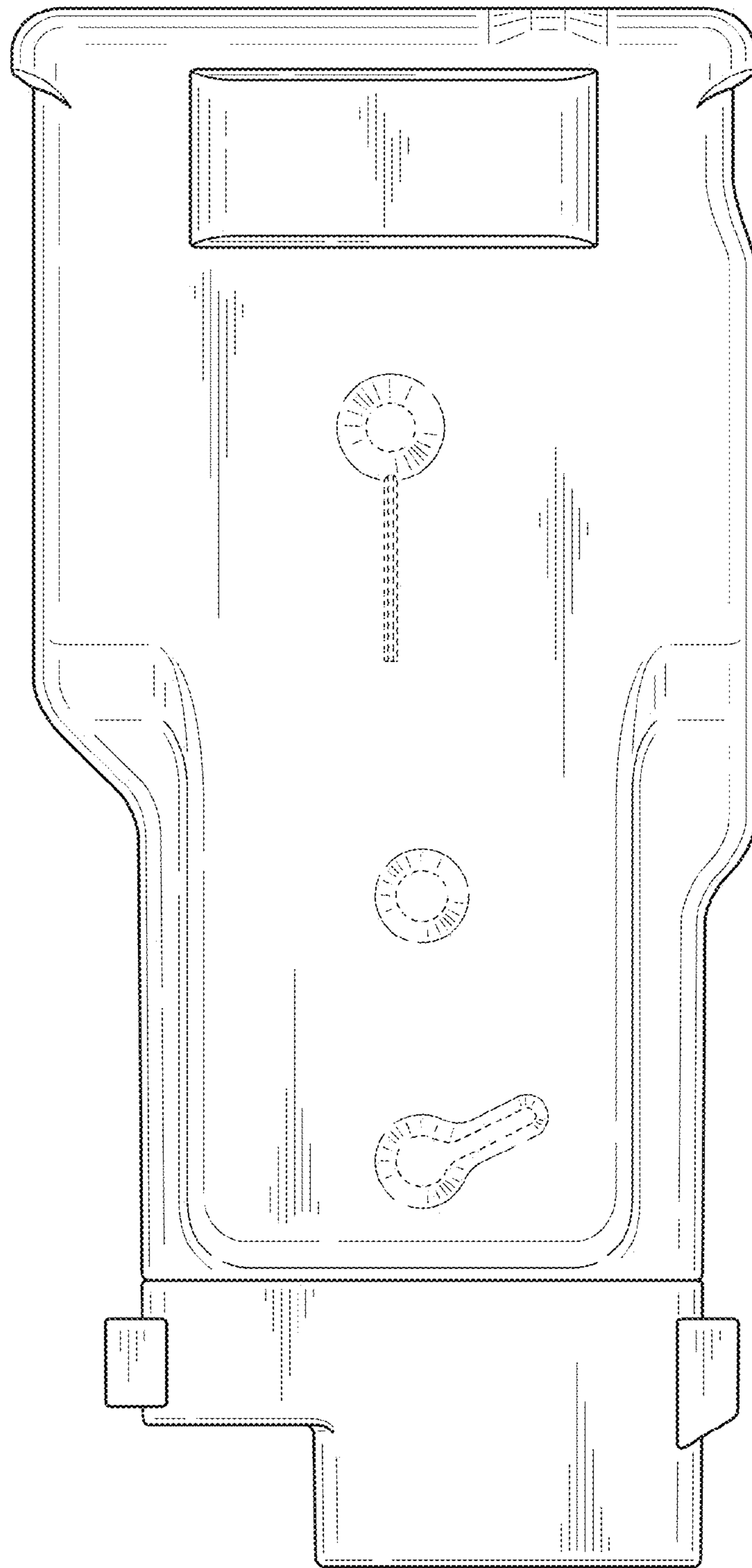


FIG. 1

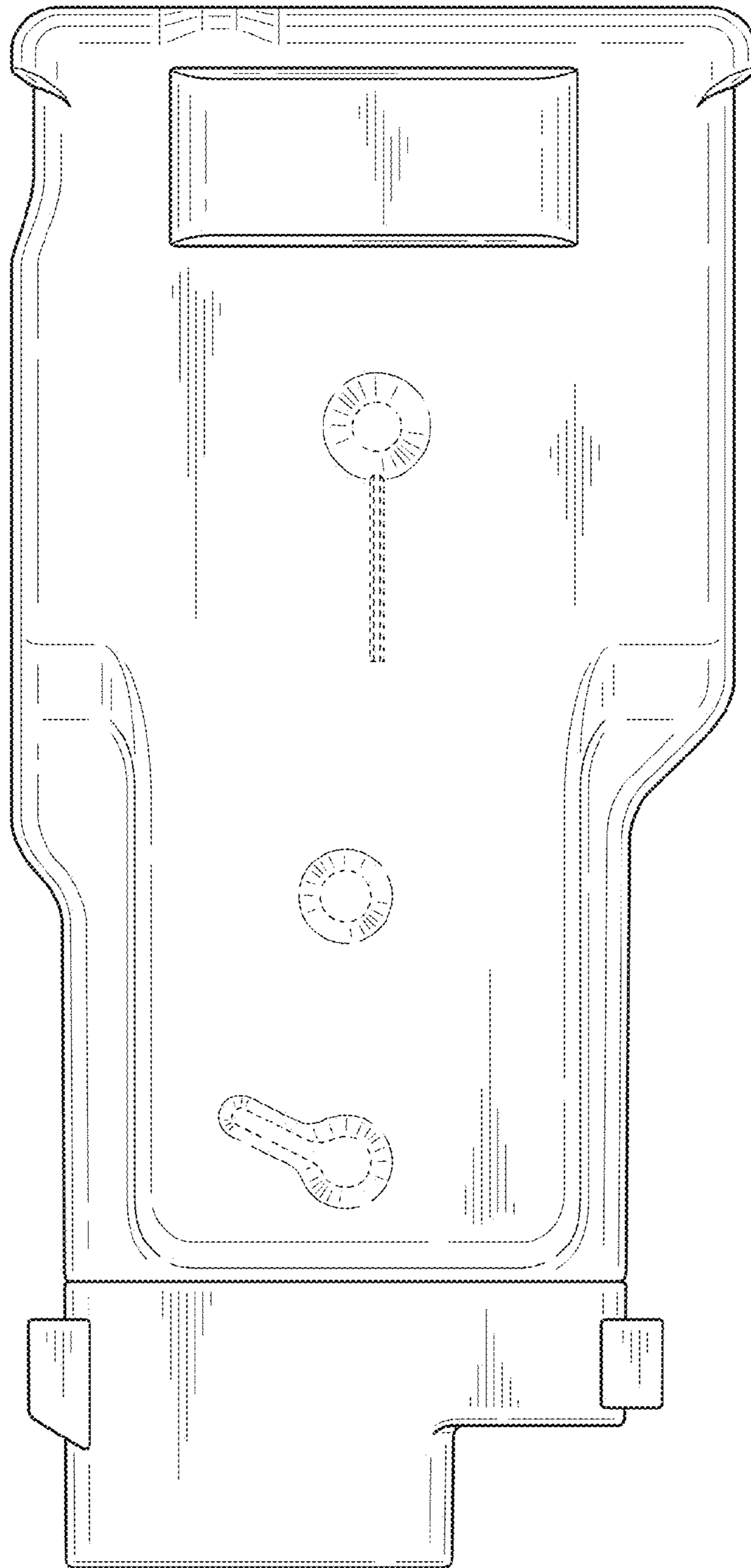
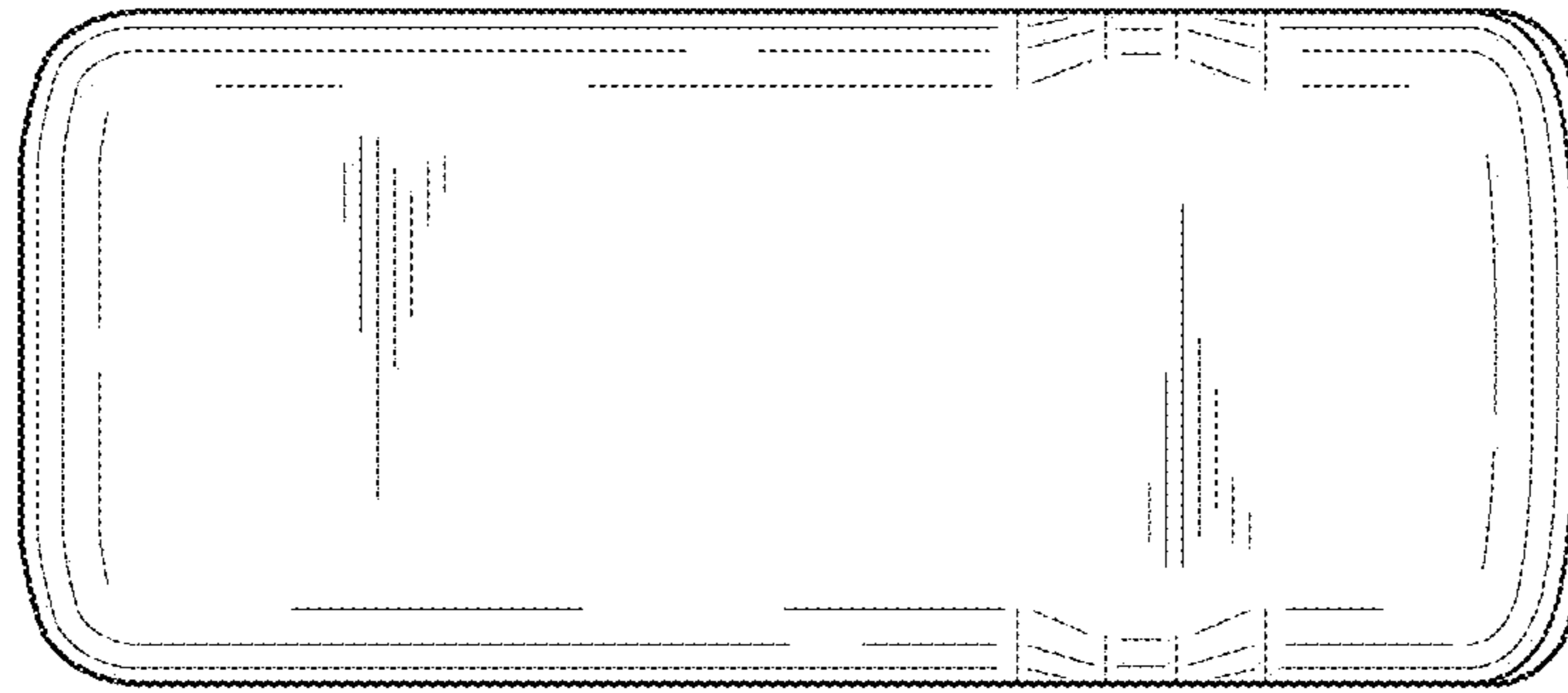
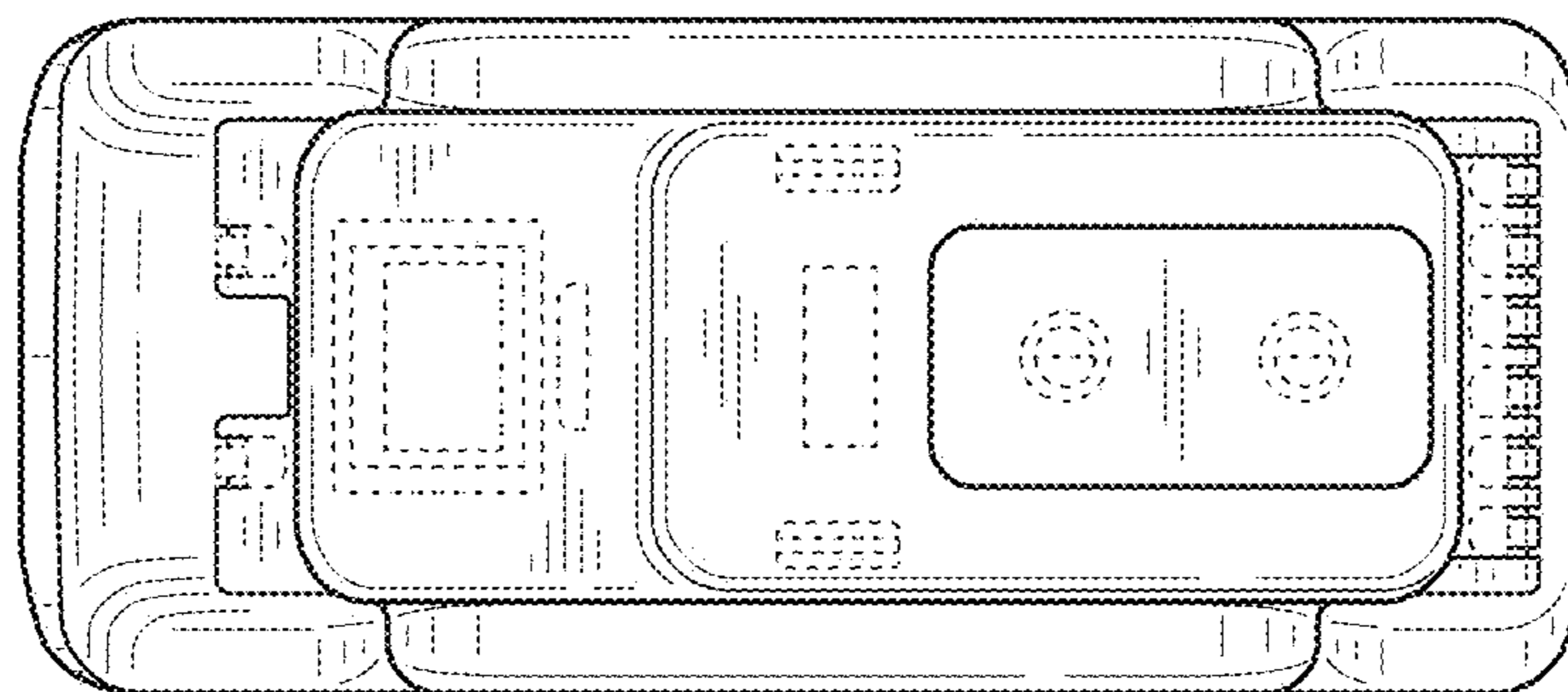


FIG. 2



*FIG. 3*



*FIG. 4*

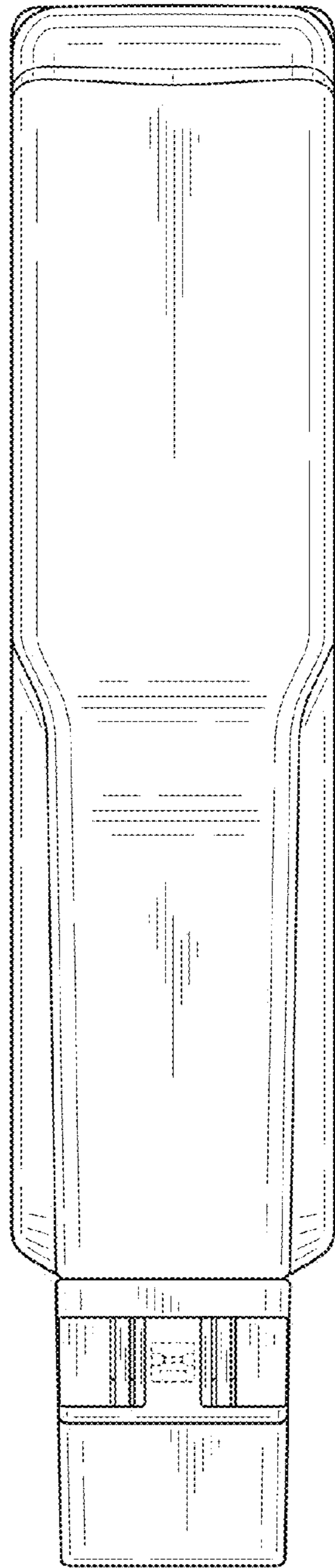


FIG. 5

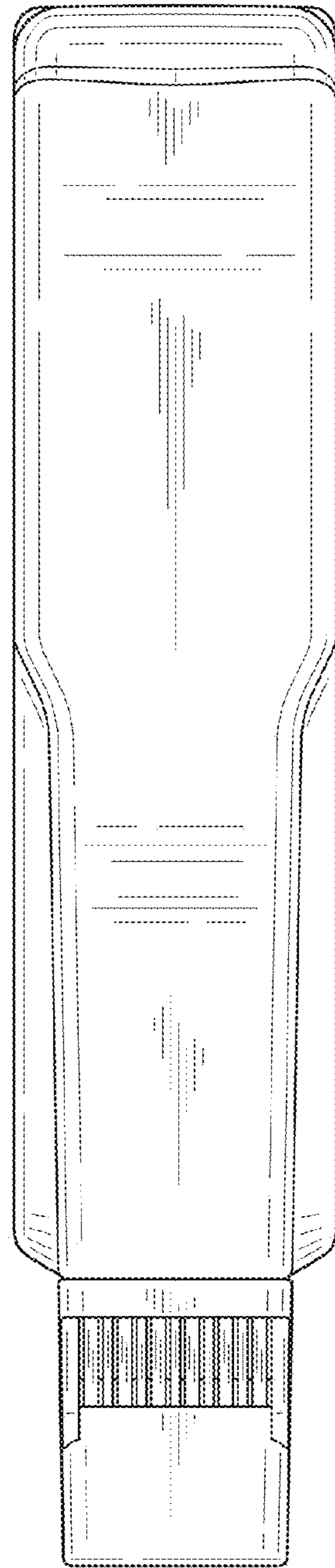


FIG. 6

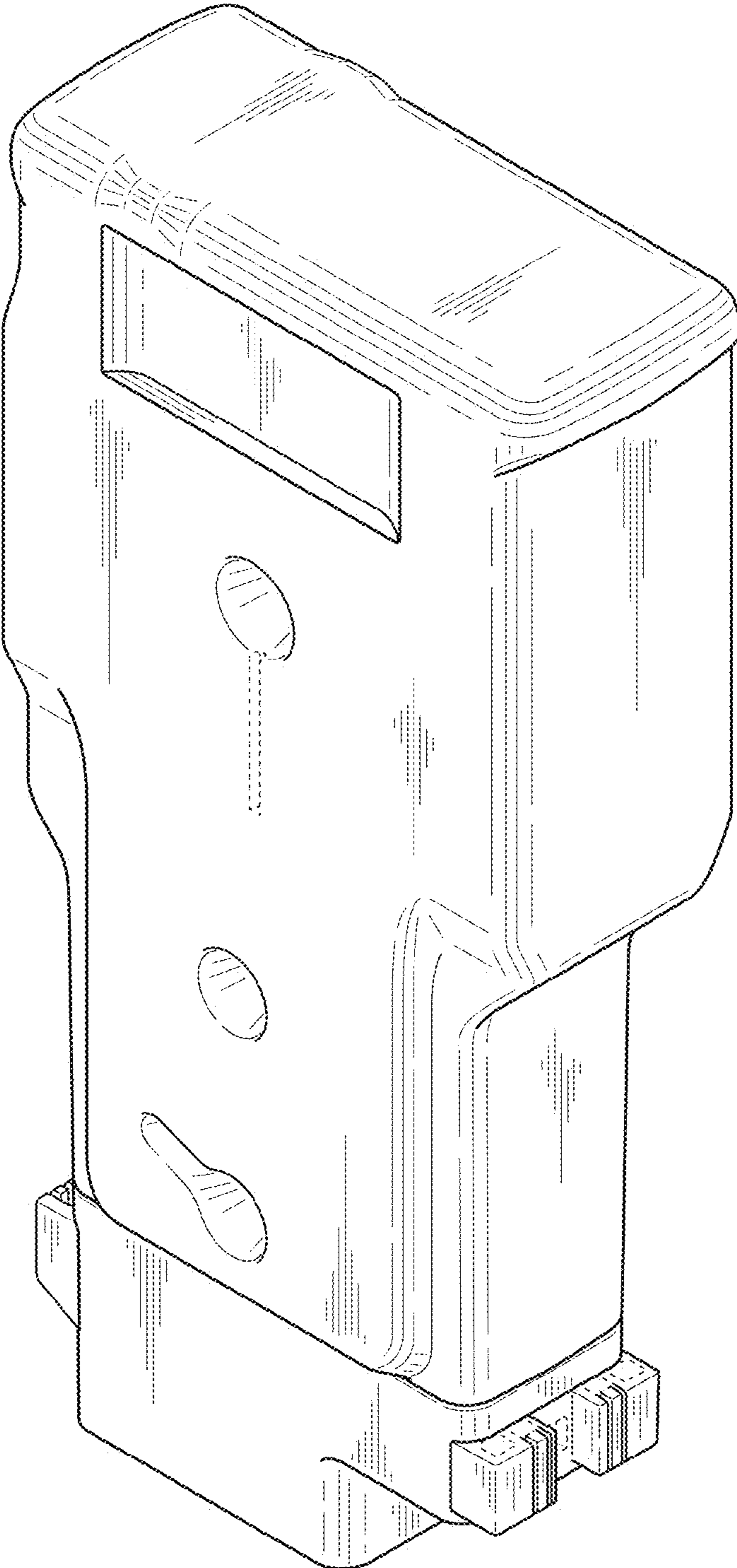


FIG. 7