

US00D696720S

(12) **United States Design Patent**
Hayashi et al.

(10) **Patent No.:** **US D696,720 S**

(45) **Date of Patent:** **** Dec. 31, 2013**

(54) **INK TANK FOR PRINTER**
(71) Applicant: **Canon Kabushiki Kaisha**, Tokyo (JP)
(72) Inventors: **Hiroki Hayashi**, Kawasaki (JP); **Yasuo Kotaki**, Yokohama (JP); **Tetsuya Ohashi**, Matsudo (JP); **Ryoji Inoue**, Kawasaki (JP); **Masashi Ogawa**, Kawasaki (JP); **Takashi Fukushima**, Yokohama (JP); **Hironori Murakami**, Tokyo (JP); **Koki Yaegashi**, Kawasaki (JP); **Norihiro Ikebe**, Kawasaki (JP); **Nobuhiro Takeuchi**, Yokohama (JP); **Junichiro Shimamura**, Tokyo (JP); **Nobuo Komiya**, Yokohama (JP)

(73) Assignee: **Canon Kabushiki Kaisha**, Tokyo (JP)

(**) Term: **14 Years**

(21) Appl. No.: **29/447,263**

(22) Filed: **Mar. 1, 2013**

(30) **Foreign Application Priority Data**

Sep. 5, 2012 (JP) 2012-021376

(51) **LOC (9) Cl.** **18-02**

(52) **U.S. Cl.**
USPC **D18/56**

(58) **Field of Classification Search**
USPC D18/56; 347/86-87
See application file for complete search history.

(56) **References Cited**

U.S. PATENT DOCUMENTS

6,402,310 B1 * 6/2002 Maeda et al. 347/87
D493,820 S * 8/2004 Matsuo et al. D18/56

D540,377 S 4/2007 Hatasa et al. D18/56
D542,345 S * 5/2007 Hayashi et al. D18/56
D548,780 S 8/2007 Hayashi et al. D18/56
D611,532 S 3/2010 Nanjo et al. D18/56
D624,960 S 10/2010 Inoue et al. D18/56
D626,173 S 10/2010 Inoue et al. D18/56
D627,818 S * 11/2010 Ishizawa et al. D18/56
D656,183 S 3/2012 Nanjo et al. D18/56
D674,436 S 1/2013 Takada et al. D18/56

OTHER PUBLICATIONS

U.S. Appl. No. 29/427,621, filed Jul. 20, 2012.
U.S. Appl. No. 29/427,618, filed Jul. 20, 2012.
U.S. Appl. No. 29/427,622, filed Jul. 20, 2012.
U.S. Appl. No. 29/431,662, filed Sep. 10, 2012.

* cited by examiner

Primary Examiner — Cathy A MacCormac

(74) *Attorney, Agent, or Firm* — Fitzpatrick, Cella, Harper & Scinto

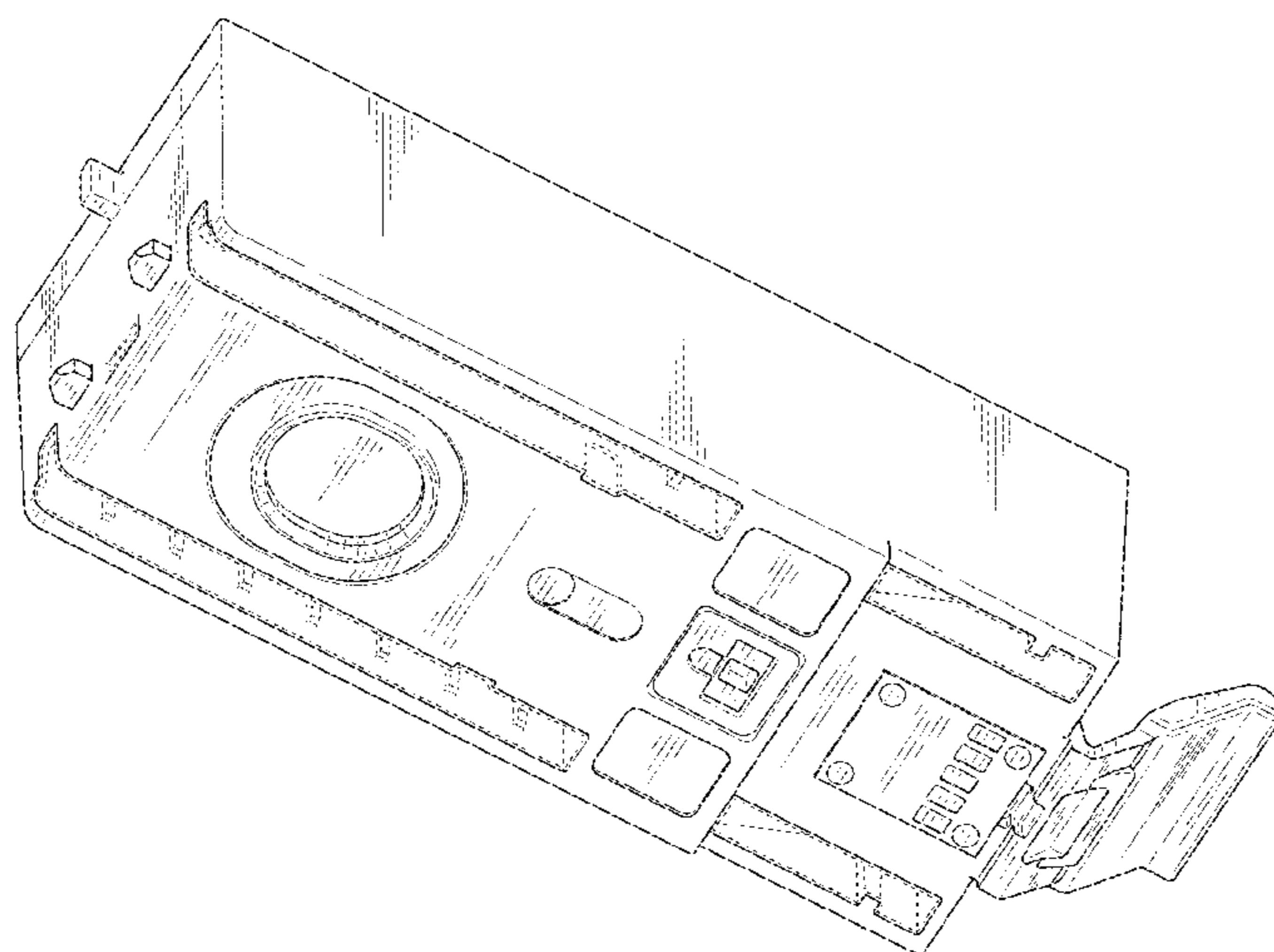
(57) **CLAIM**

The ornamental design for an ink tank for printer, as shown and described.

DESCRIPTION

FIG. 1 is a front view of an ink tank for printer showing our new design;
FIG. 2 is a rear view thereof;
FIG. 3 is a top plan view thereof;
FIG. 4 is a bottom plan view thereof;
FIG. 5 is a left side view thereof;
FIG. 6 is a right side view thereof; and,
FIG. 7 is a perspective view thereof.
The broken lines shown on portions of the ink tank for printer are for illustration only and form no part of the claimed design.

1 Claim, 4 Drawing Sheets



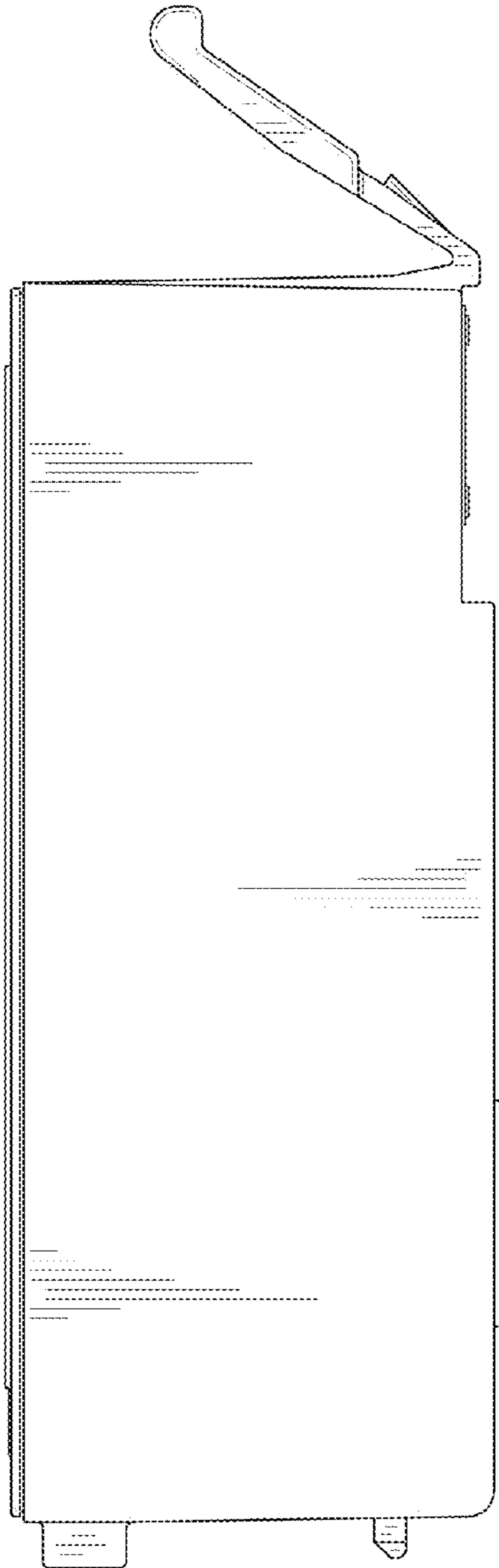


FIG. 1

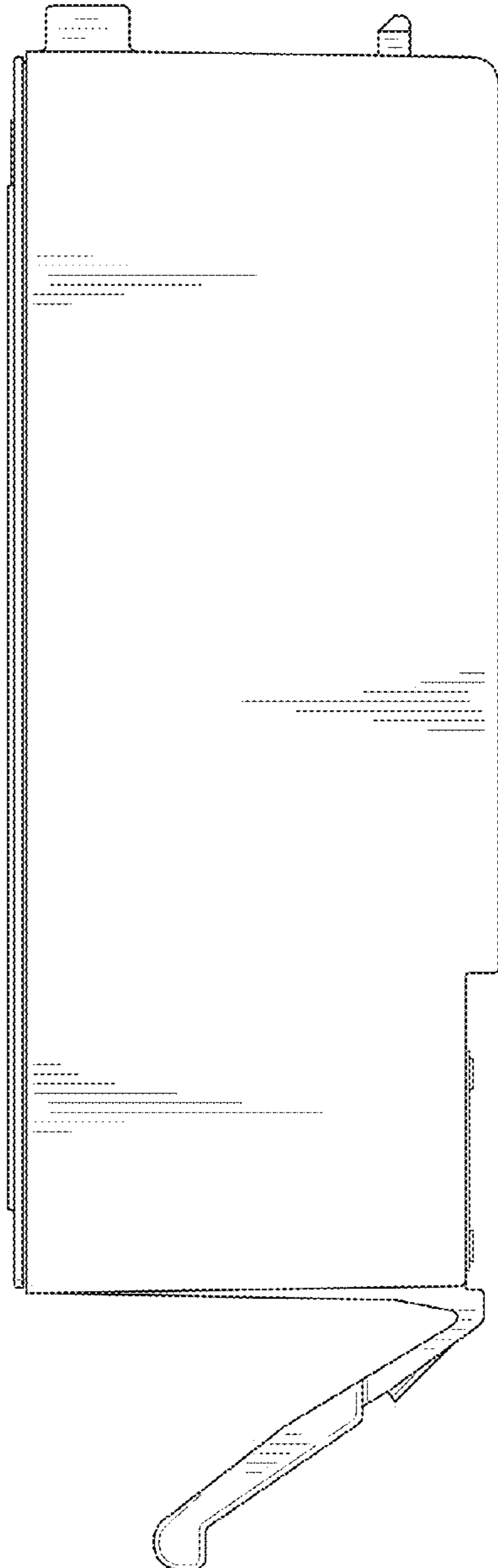


FIG. 2

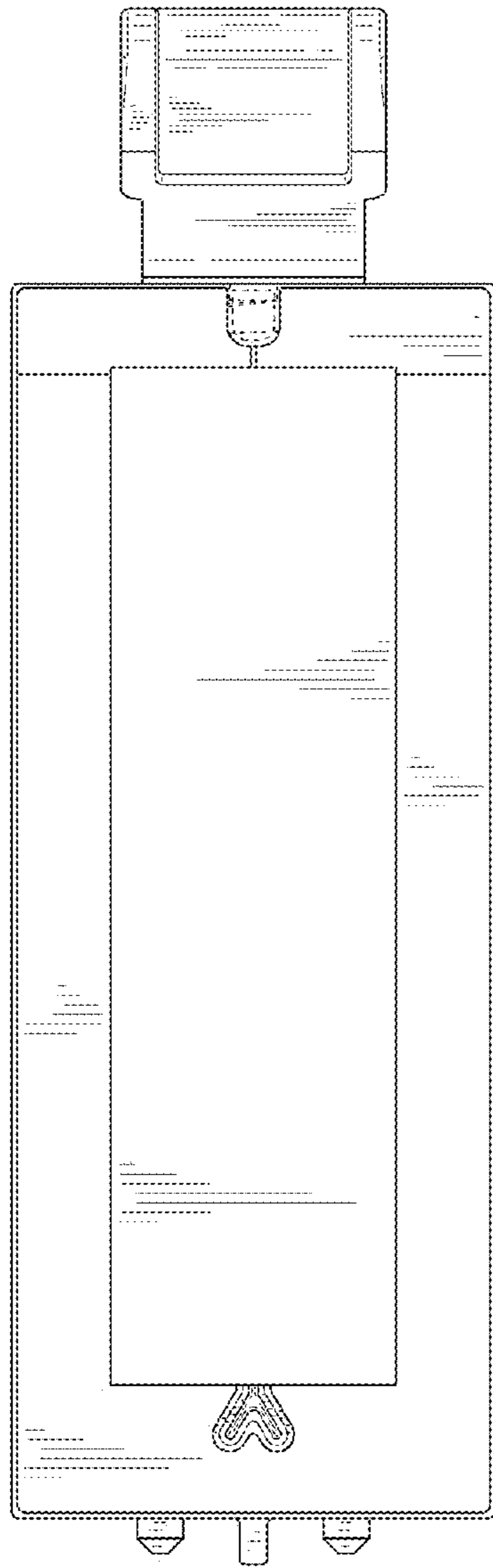


FIG. 3

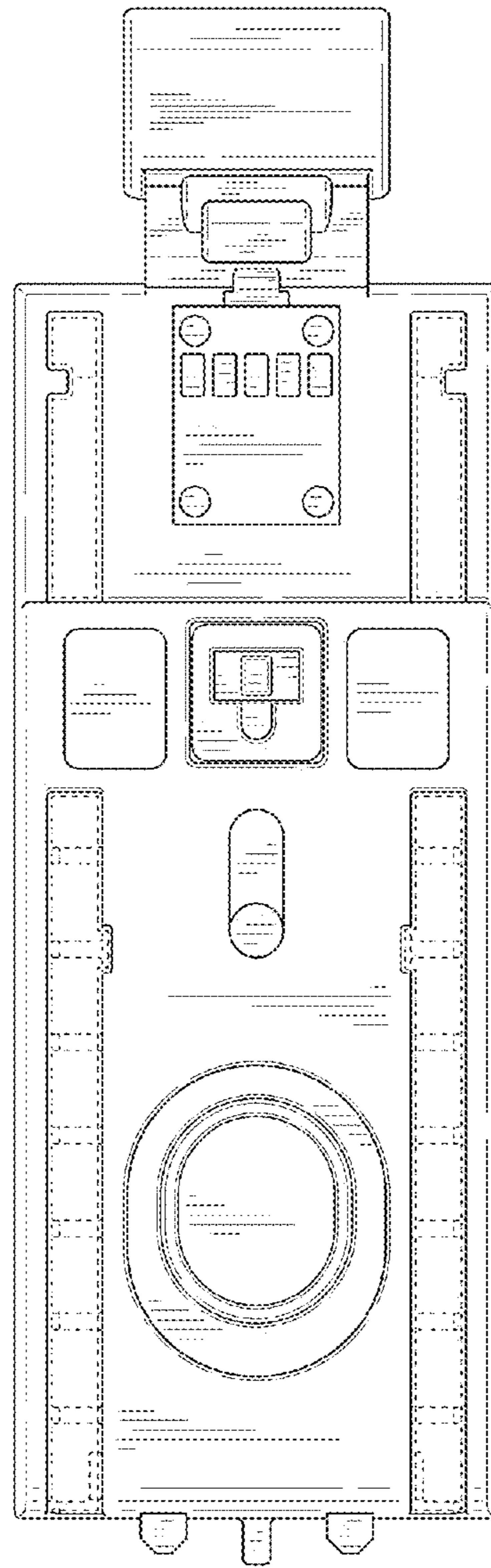


FIG. 4

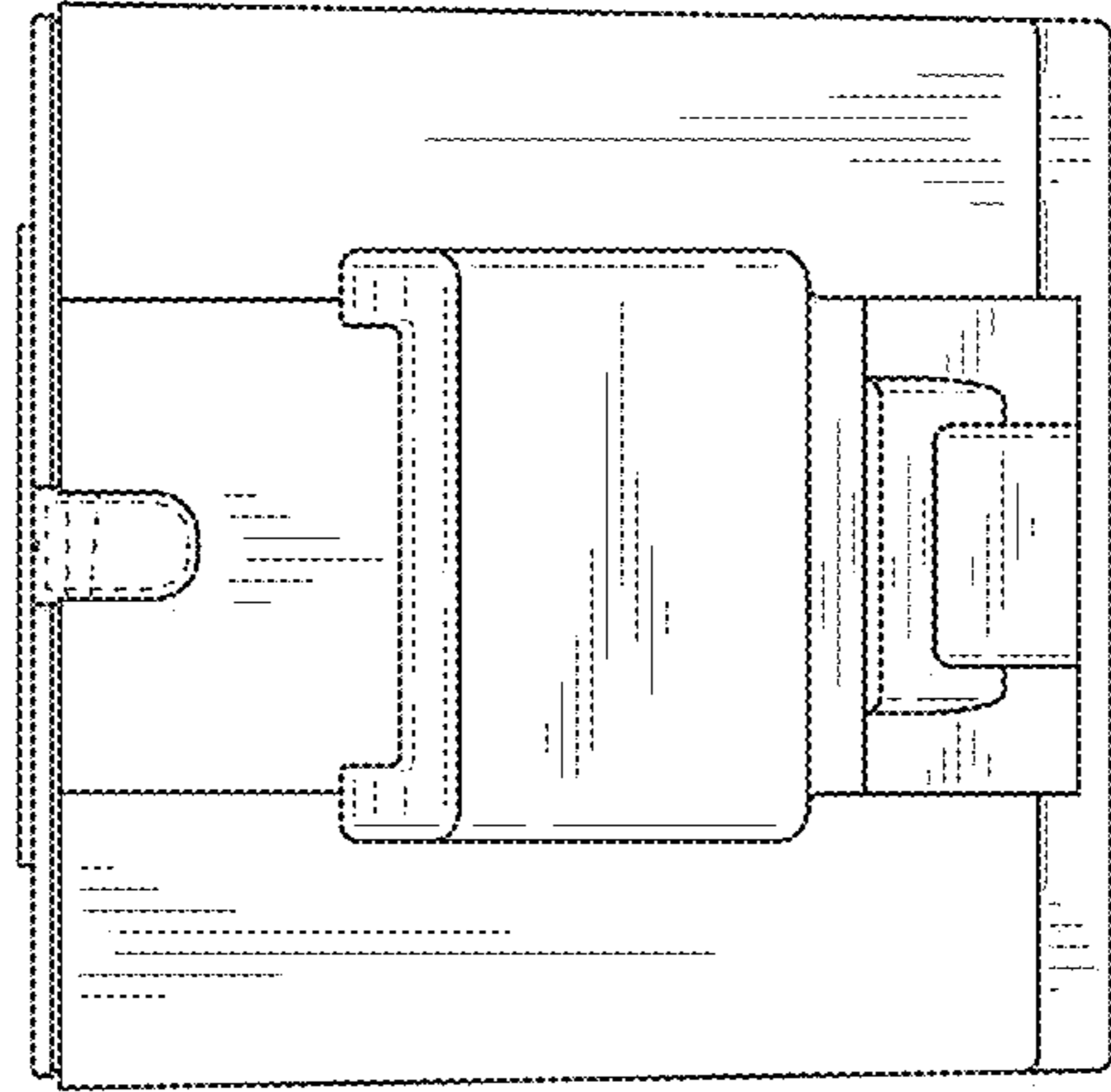


FIG. 5

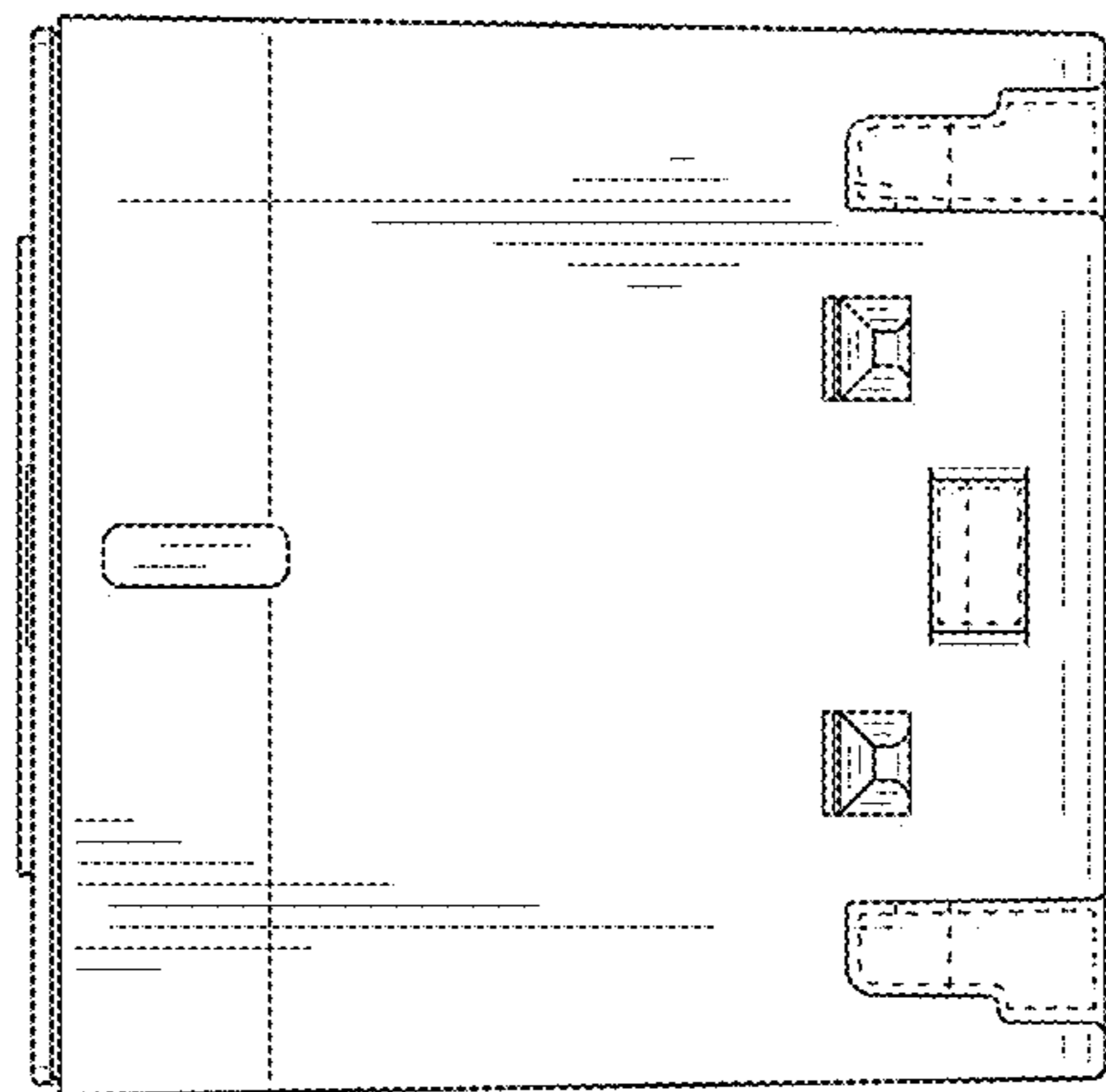


FIG. 6

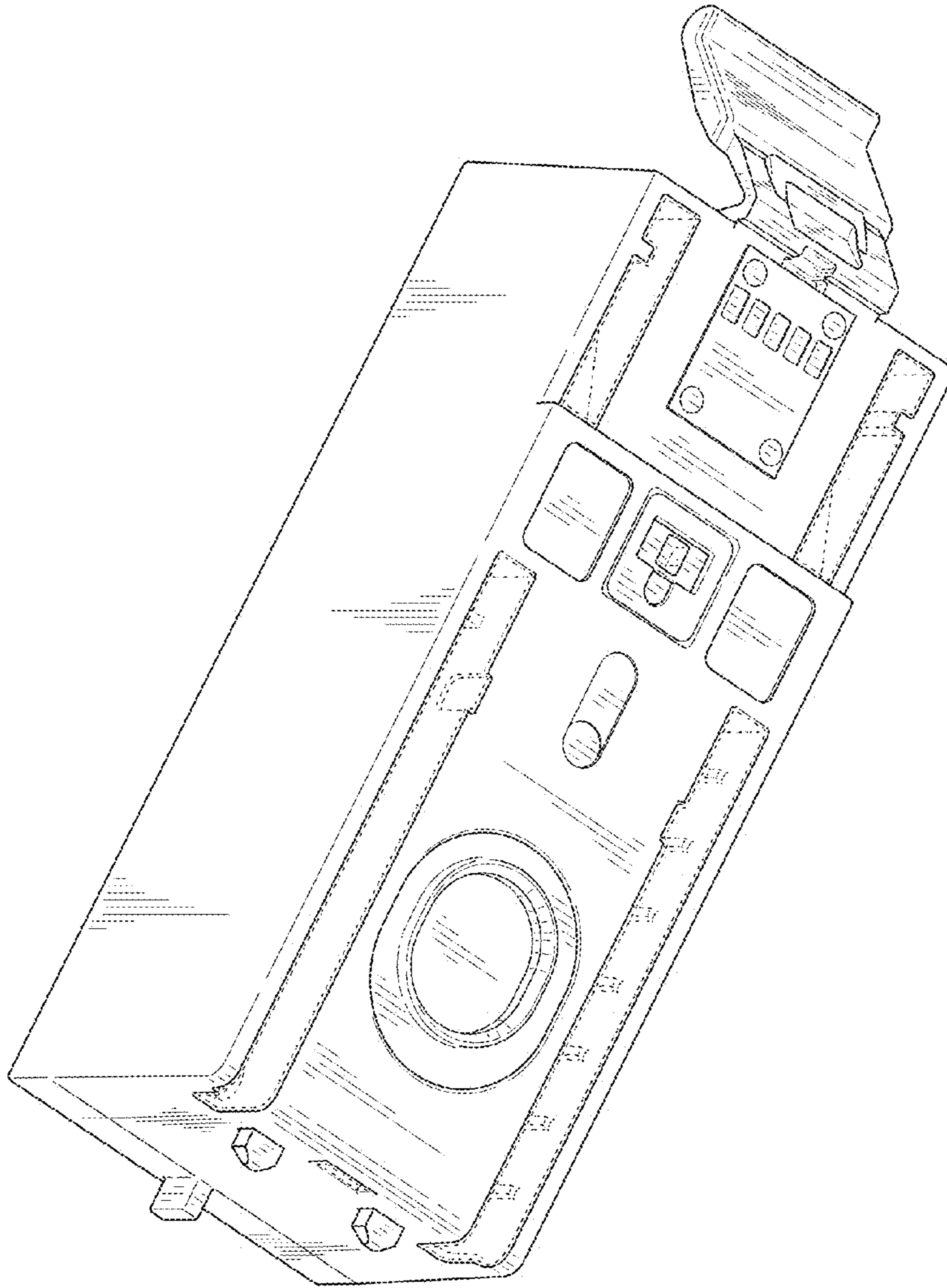


FIG. 7