



US00D696719S

(12) **United States Design Patent**
Murakami et al.

(10) **Patent No.:** **US D696,719 S**

(45) **Date of Patent:** **** *Dec. 31, 2013**

(54) **INK TANK FOR PRINTER**

(56) **References Cited**

(75) Inventors: **Hironori Murakami**, Tokyo (JP); **Yasuo Kotaki**, Yokohama (JP); **Tetsuya Ohashi**, Matsudo (JP); **Ryoji Inoue**, Kawasaki (JP); **Hiroki Hayashi**, Kawasaki (JP); **Masashi Ogawa**, Kawasaki (JP); **Takashi Fukushima**, Yokohama (JP); **Koki Yaegashi**, Kawasaki (JP); **Norihiro Ikebe**, Kawasaki (JP); **Nobuhiro Takeuchi**, Yokohama (JP); **Junichiro Shimamura**, Tokyo (JP); **Nobuo Komiya**, Yokohama (JP)

U.S. PATENT DOCUMENTS

| | | | | |
|------------|---|---------|----------------------|--------|
| D465,516 S | * | 11/2002 | Shinada et al. | D18/56 |
| D466,151 S | * | 11/2002 | Shinada et al. | D18/56 |
| D493,820 S | * | 8/2004 | Matsuo et al. | D18/56 |
| D536,374 S | * | 2/2007 | Shinada et al. | D18/56 |
| D540,377 S | | 4/2007 | Hatasa et al. | |
| D542,345 S | | 5/2007 | Hayashi et al. | |
| D548,780 S | | 8/2007 | Hayashi et al. | |
| D611,532 S | | 3/2010 | Nanjo et al. | |
| D624,960 S | | 10/2010 | Inoue et al. | |
| D626,173 S | | 10/2010 | Inoue et al. | |
| D627,818 S | * | 11/2010 | Ishizawa et al. | D18/56 |
| D656,183 S | | 3/2012 | Nanjo et al. | |

* cited by examiner

(73) Assignee: **Canon Kabushiki Kaisha**, Tokyo (JP)

Primary Examiner — Cathy A MacCormac

(*) Notice: This patent is subject to a terminal disclaimer.

(74) *Attorney, Agent, or Firm* — Fitzpatrick, Cella, Harper & Scinto

(**) Term: **14 Years**

(57) **CLAIM**

The ornamental design for an ink tank for printer, as shown and described.

(21) Appl. No.: **29/427,622**

DESCRIPTION

(22) Filed: **Jul. 20, 2012**

(30) **Foreign Application Priority Data**

Jan. 31, 2012 (JP) 2012-001867

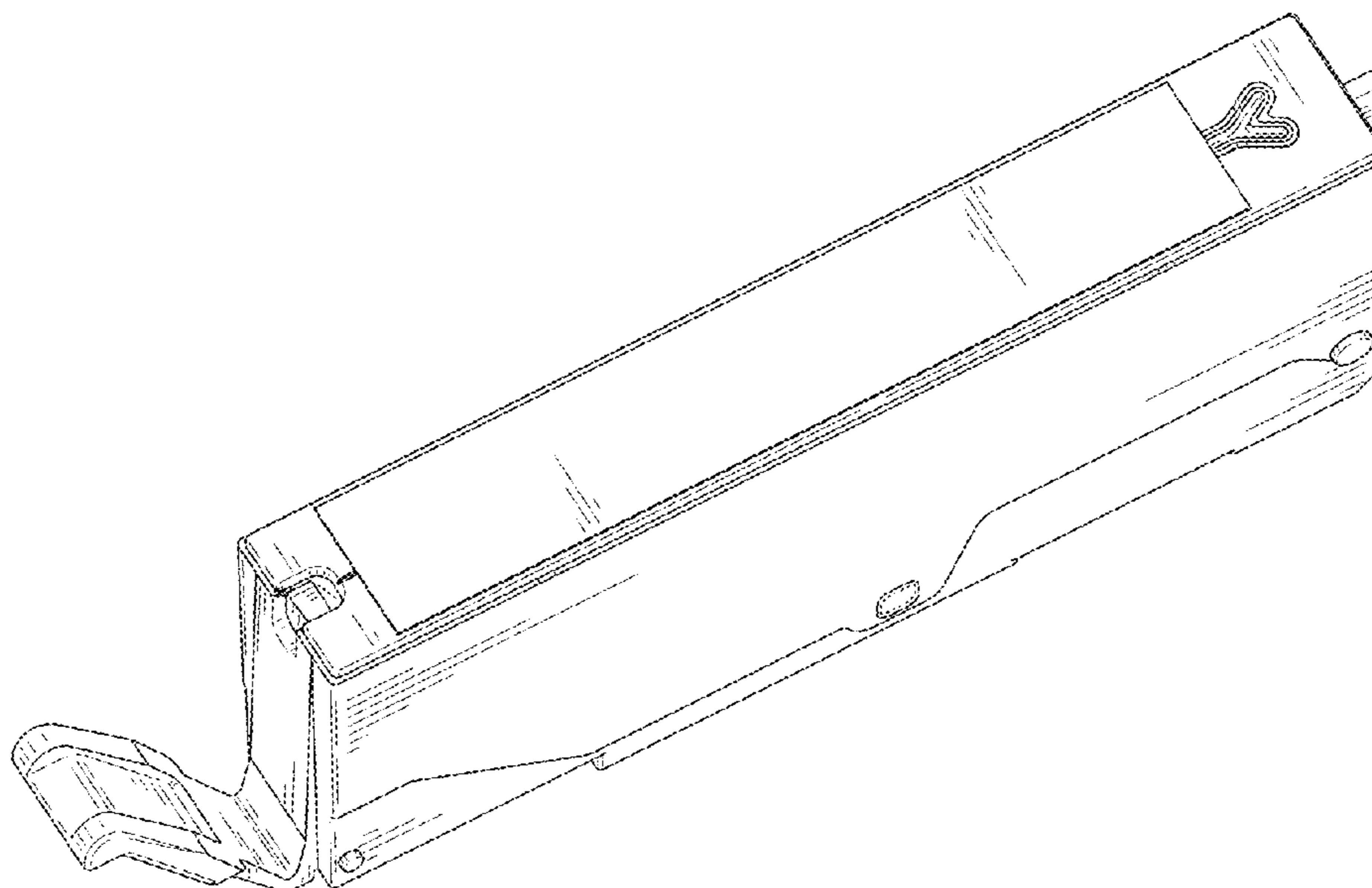
(51) **LOC (9) Cl.** **18-02**

(52) **U.S. Cl.**
USPC **D18/56**

(58) **Field of Classification Search**
USPC D18/56; 347/86-87
See application file for complete search history.

FIG. 1 is a front view of an ink tank for printer showing our new design;
FIG. 2 is a rear view thereof;
FIG. 3 is a top plan view thereof;
FIG. 4 is a bottom plan view thereof;
FIG. 5 is a left side view thereof;
FIG. 6 is a right side view thereof; and,
FIG. 7 is a top perspective view thereof.
The broken lines shown in the drawings illustrate portions of the ink tank for printer that form no part of the claimed design.

1 Claim, 4 Drawing Sheets



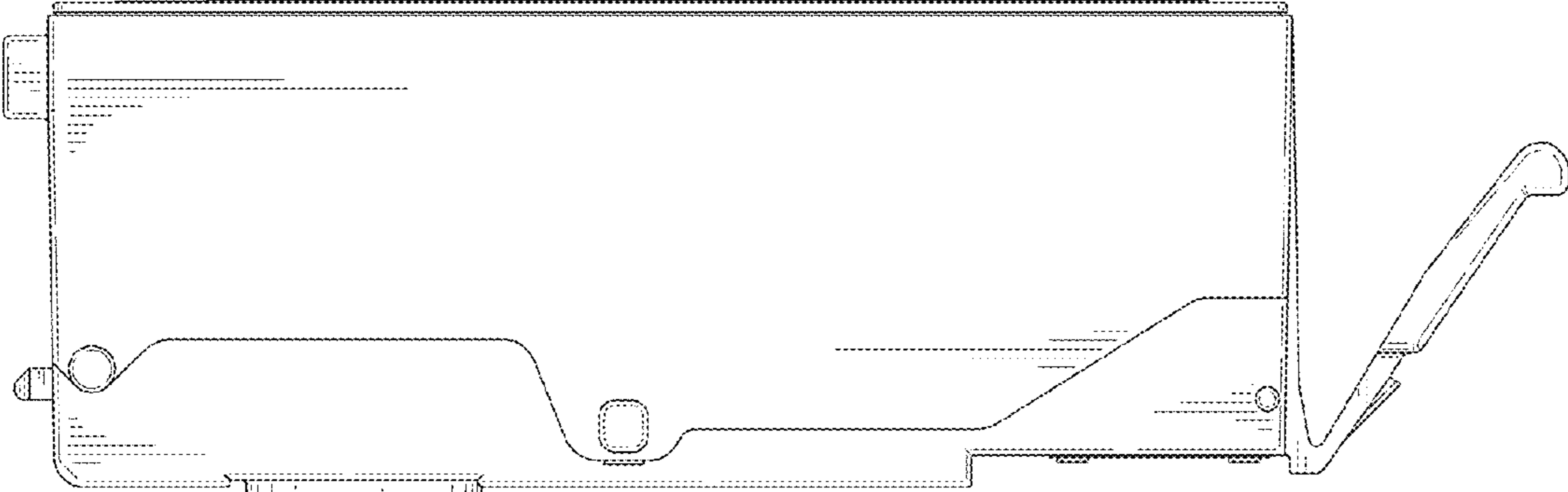


FIG. 1

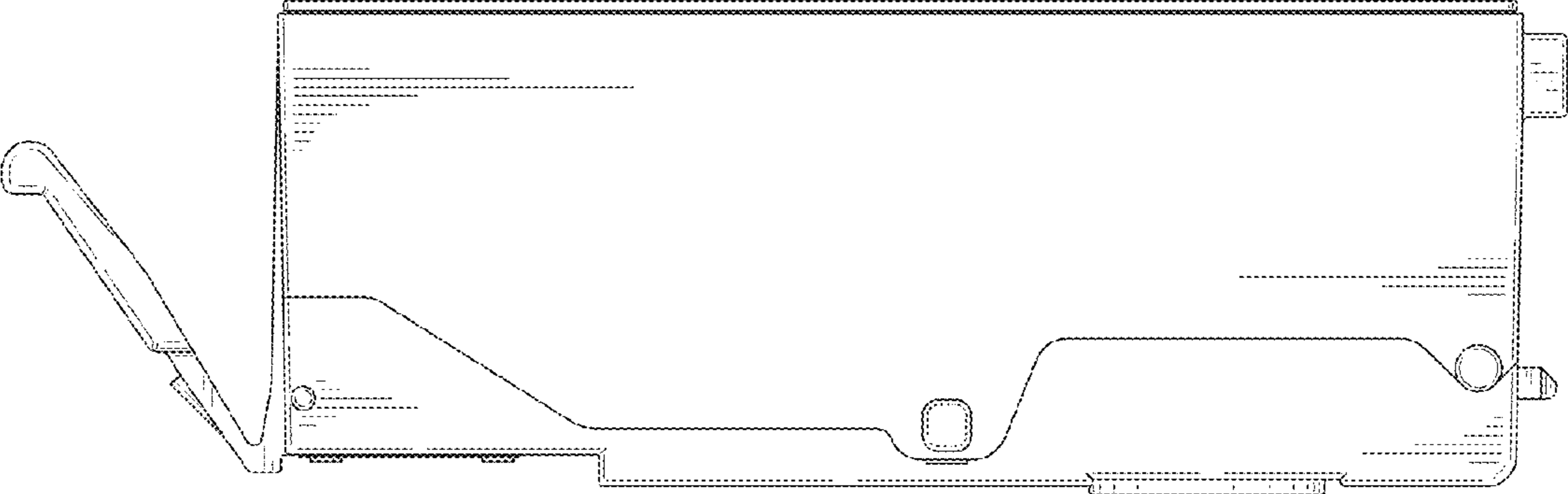


FIG. 2

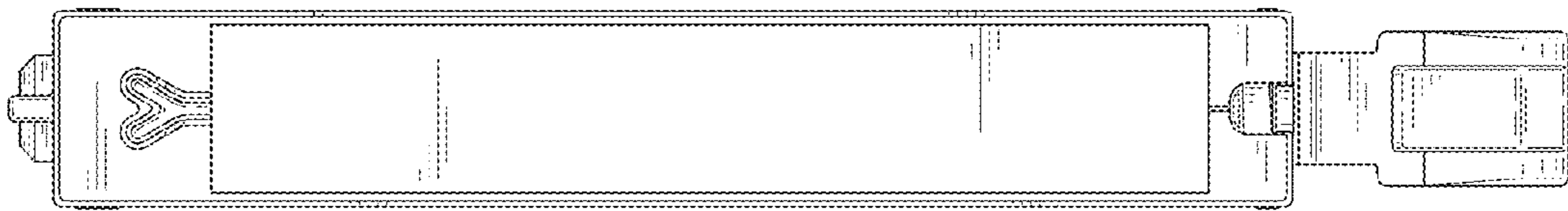


FIG. 3

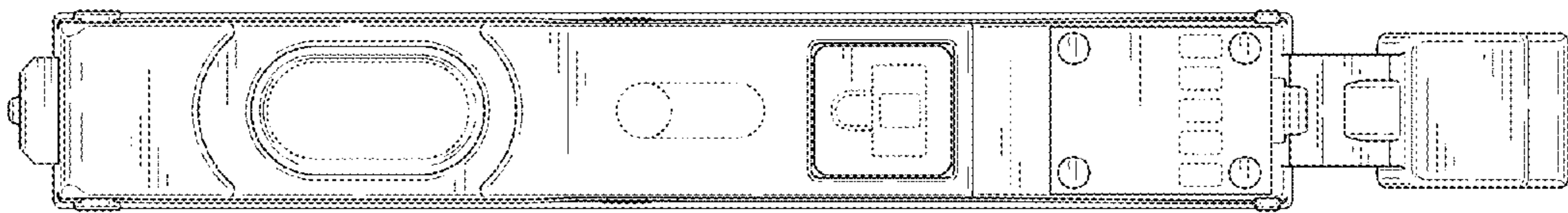


FIG. 4

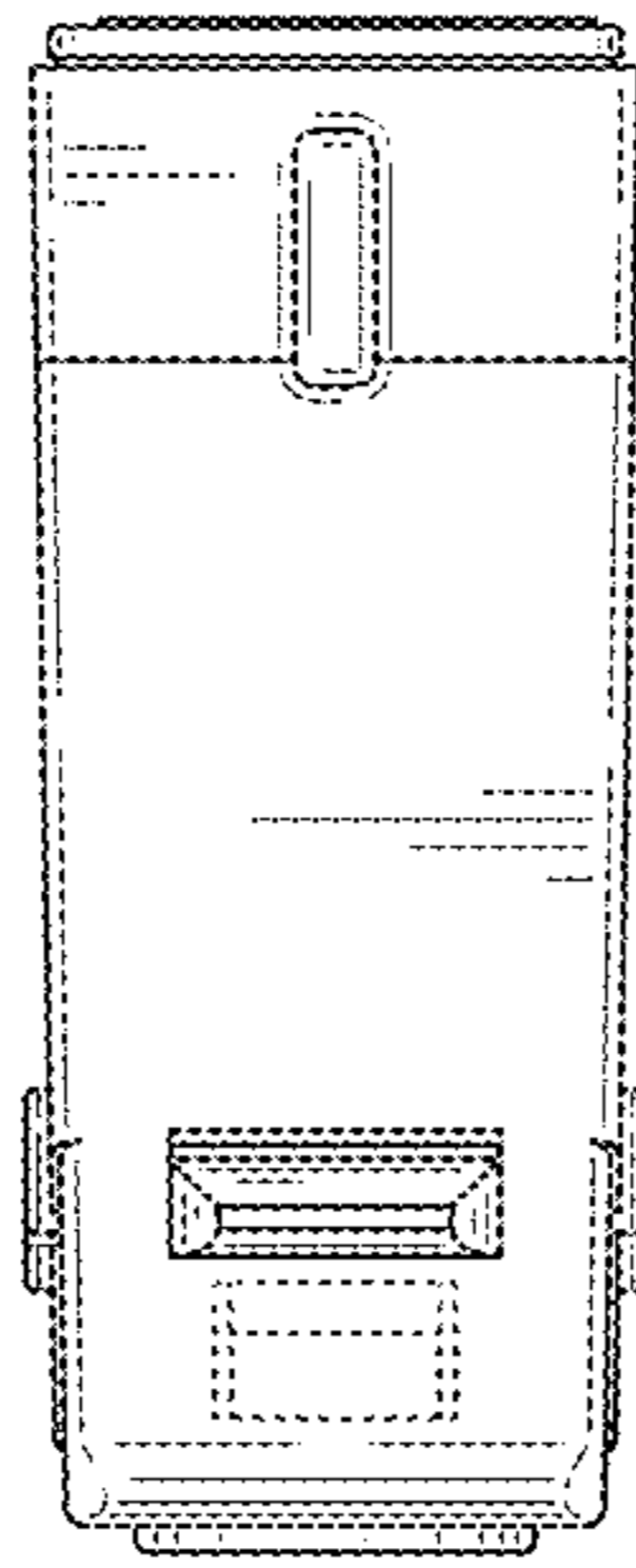


FIG. 5

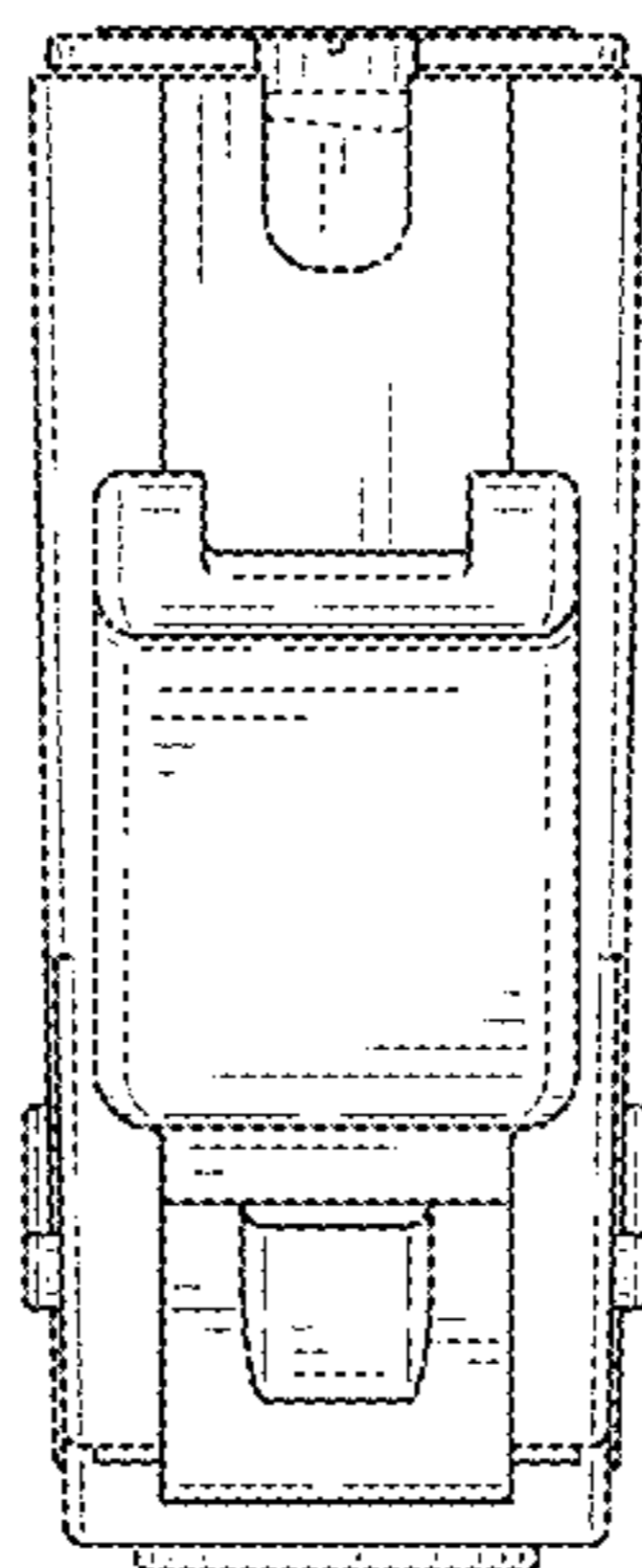


FIG. 6

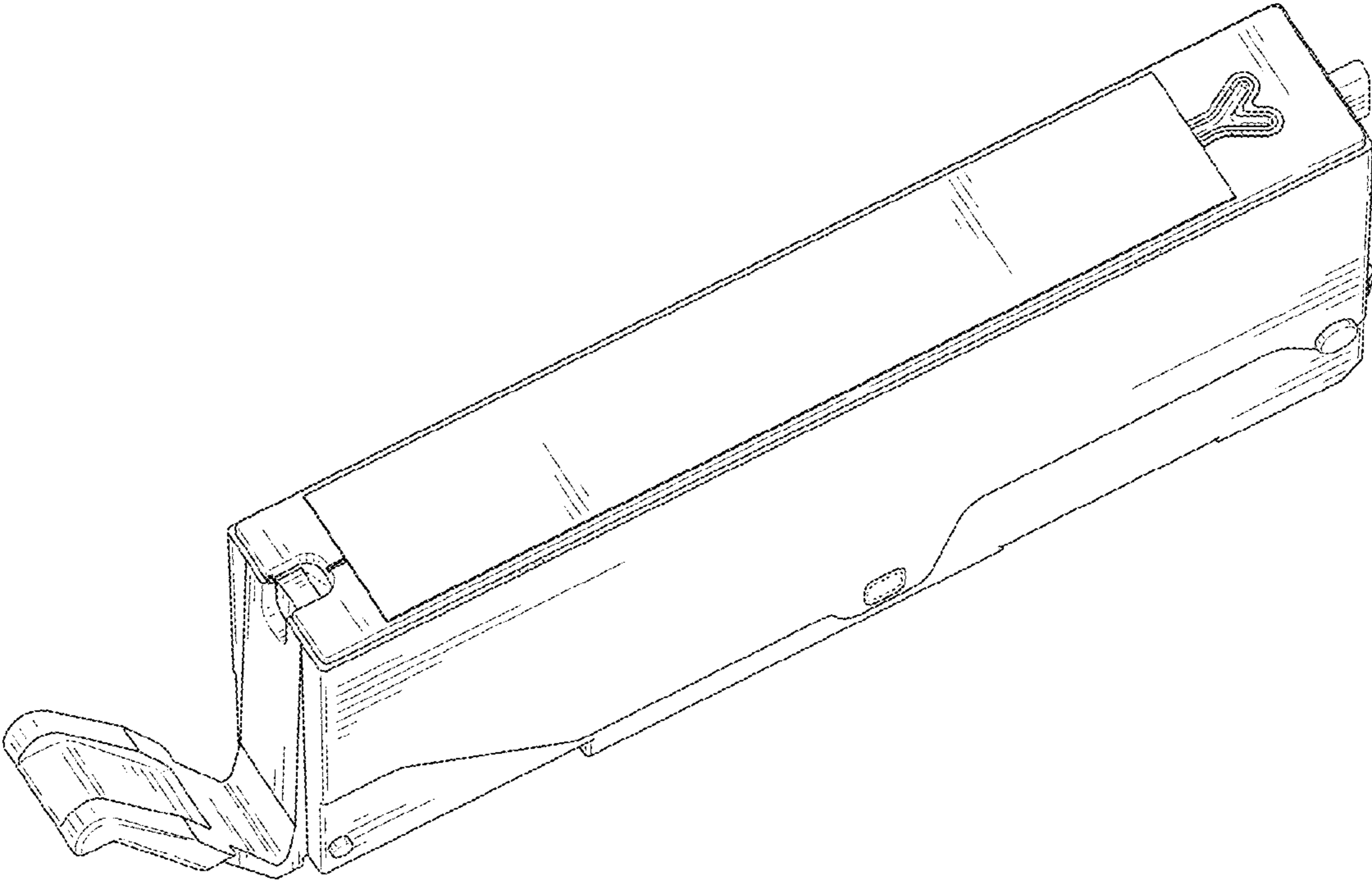


FIG. 7