

US00D696718S

(12) **United States Design Patent**  
**Murakami et al.**

(10) **Patent No.:** **US D696,718 S**  
(45) **Date of Patent:** **\*\* Dec. 31, 2013**

(54) **INK TANK FOR PRINTER**

(75) Inventors: **Hironori Murakami**, Tokyo (JP); **Yasuo Kotaki**, Yokohama (JP); **Tetsuya Ohashi**, Matsudo (JP); **Ryoji Inoue**, Kawasaki (JP); **Hiroki Hayashi**, Kawasaki (JP); **Masashi Ogawa**, Kawasaki (JP); **Takashi Fukushima**, Yokohama (JP); **Koki Yaegashi**, Kawasaki (JP); **Norihiro Ikebe**, Kawasaki (JP); **Nobuhiro Takeuchi**, Yokohama (JP); **Junichiro Shimamura**, Tokyo (JP); **Nobuo Komiya**, Yokohama (JP)

(73) Assignee: **Canon Kabushiki Kaisha**, Tokyo (JP)

(\*\*) Term: **14 Years**

(21) Appl. No.: **29/427,621**

(22) Filed: **Jul. 20, 2012**

(30) **Foreign Application Priority Data**

Jan. 31, 2012 (JP) ..... 2012-001874

(51) **LOC (9) Cl.** ..... **18-02**

(52) **U.S. Cl.**  
USPC ..... **D18/56**

(58) **Field of Classification Search**  
USPC ..... D18/56; 347/86-87  
See application file for complete search history.

(56) **References Cited**

**U.S. PATENT DOCUMENTS**

D465,516 S \* 11/2002 Shinada et al. .... D18/56

D466,151 S \* 11/2002 Shinada et al. .... D18/56  
D493,820 S \* 8/2004 Matsuo et al. .... D18/56  
D536,374 S \* 2/2007 Shinada et al. .... D18/56  
D540,377 S 4/2007 Hatasa et al.  
D542,345 S \* 5/2007 Hayashi et al. .... D18/56  
D548,780 S \* 8/2007 Hayashi et al. .... D18/56  
D611,532 S 3/2010 Nanjo et al.  
D624,960 S 10/2010 Inoue et al.  
D626,173 S 10/2010 Inoue et al.  
D627,818 S \* 11/2010 Ishizawa et al. .... D18/56

\* cited by examiner

*Primary Examiner* — Cathy A MacCormac

(74) *Attorney, Agent, or Firm* — Fitzpatrick, Cella, Harper & Scinto

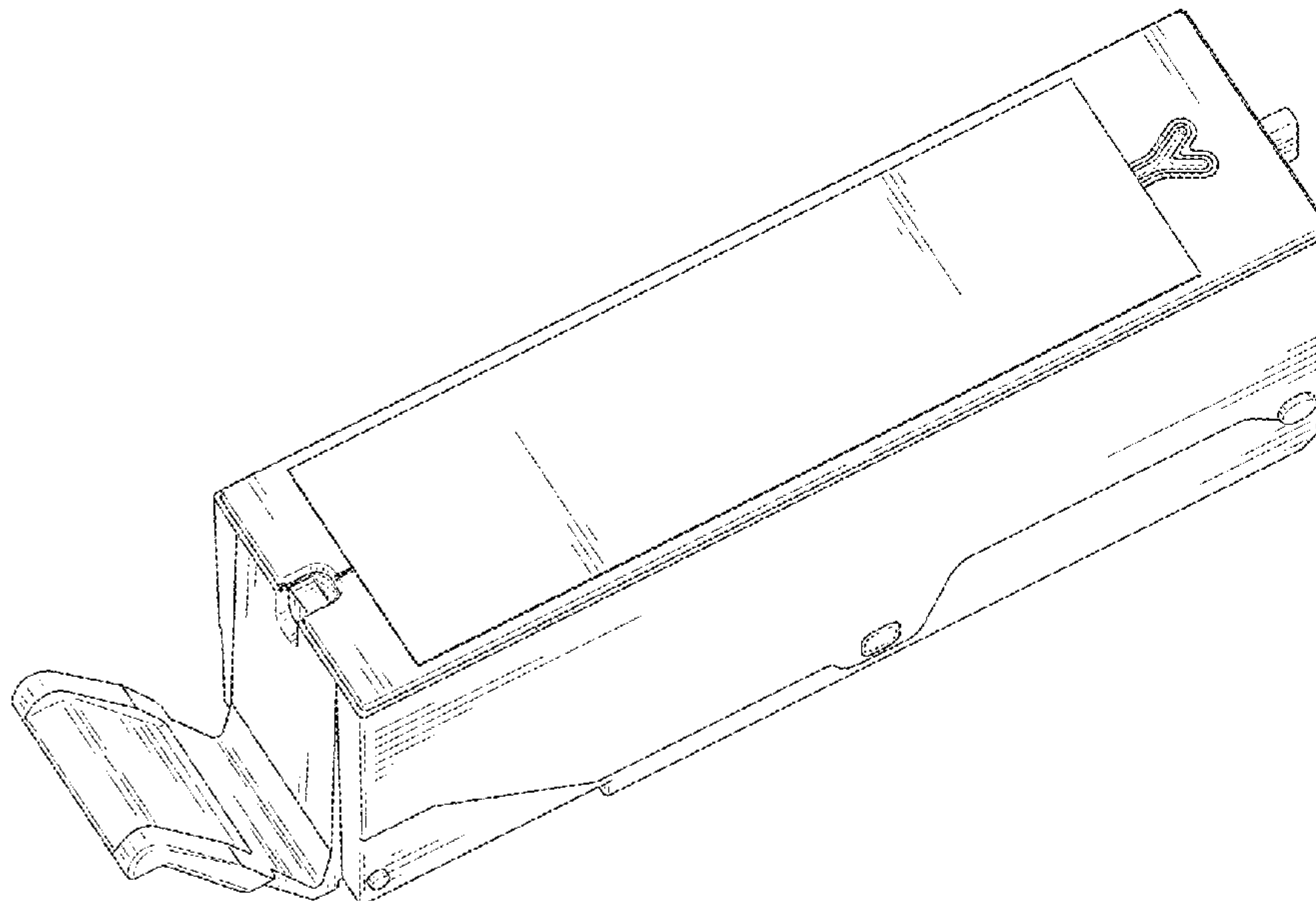
(57) **CLAIM**

The ornamental design for an ink tank for printer, as shown and described.

**DESCRIPTION**

FIG. 1 is a front view of an ink tank for printer showing our new design;  
FIG. 2 is a rear view thereof;  
FIG. 3 is a top plan view thereof;  
FIG. 4 is a bottom plan view thereof;  
FIG. 5 is a left side view thereof;  
FIG. 6 is a right side view thereof; and,  
FIG. 7 is a top perspective view thereof.  
The broken lines shown in the drawings illustrate portions of the ink tank for printer that form no part of the claimed design.

**1 Claim, 4 Drawing Sheets**



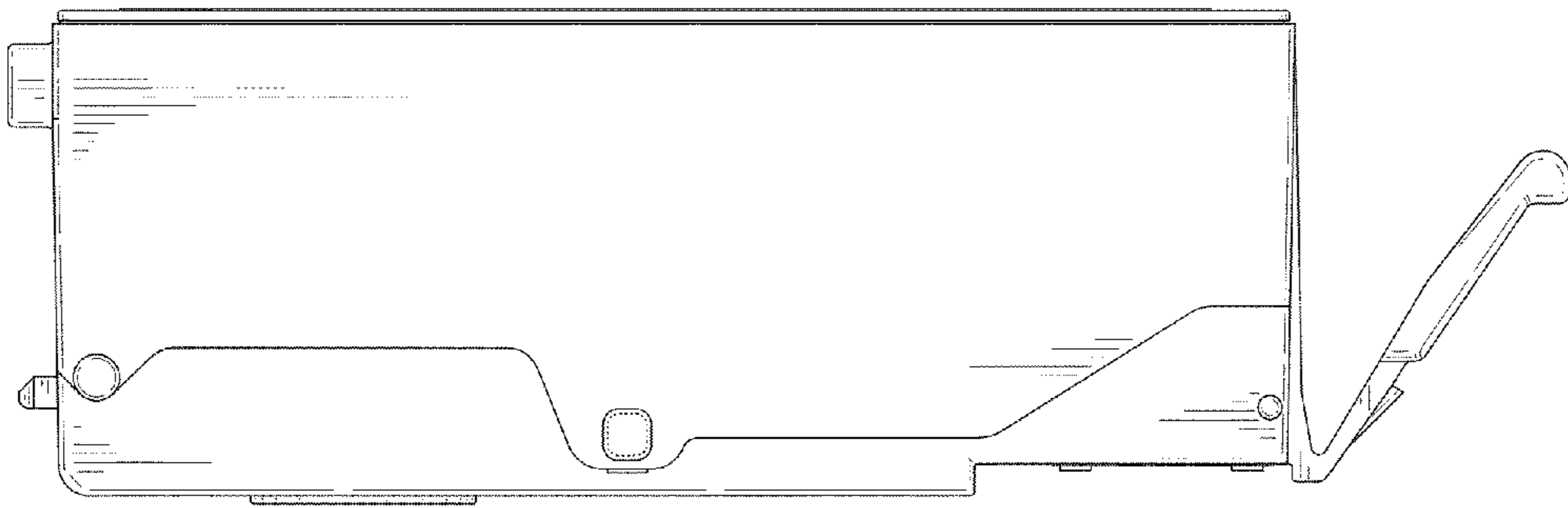


FIG. 1

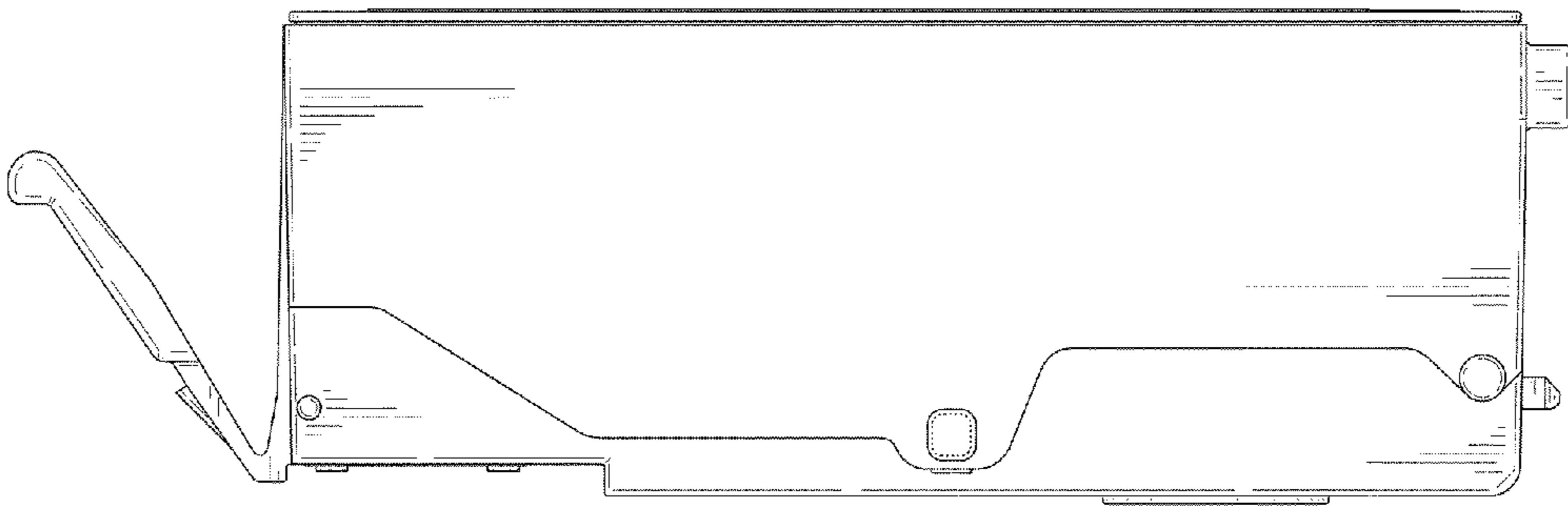


FIG. 2

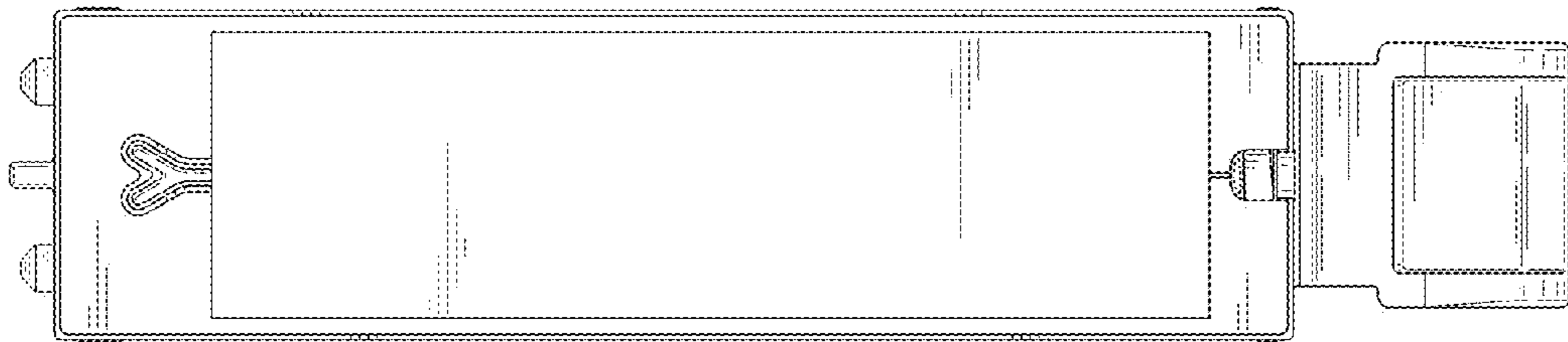


FIG. 3

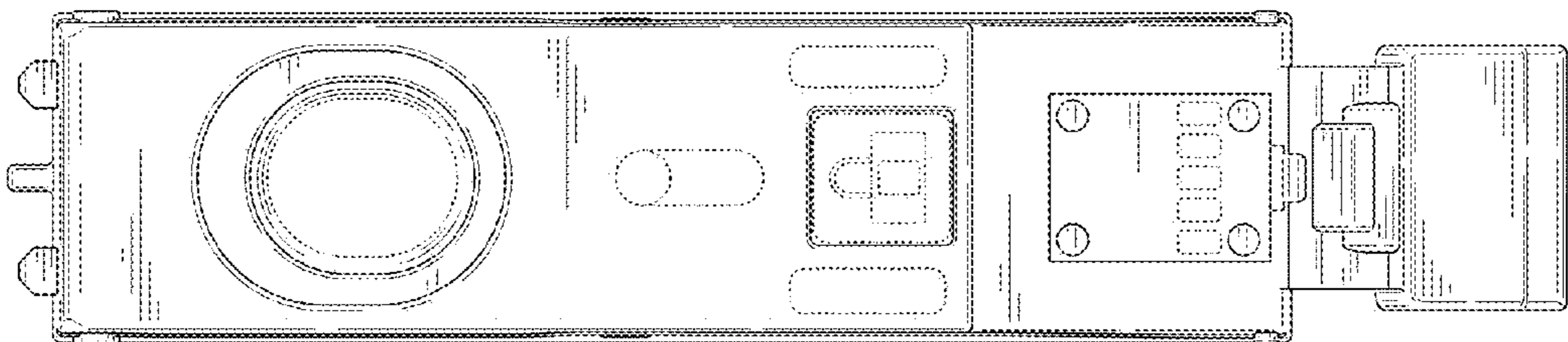
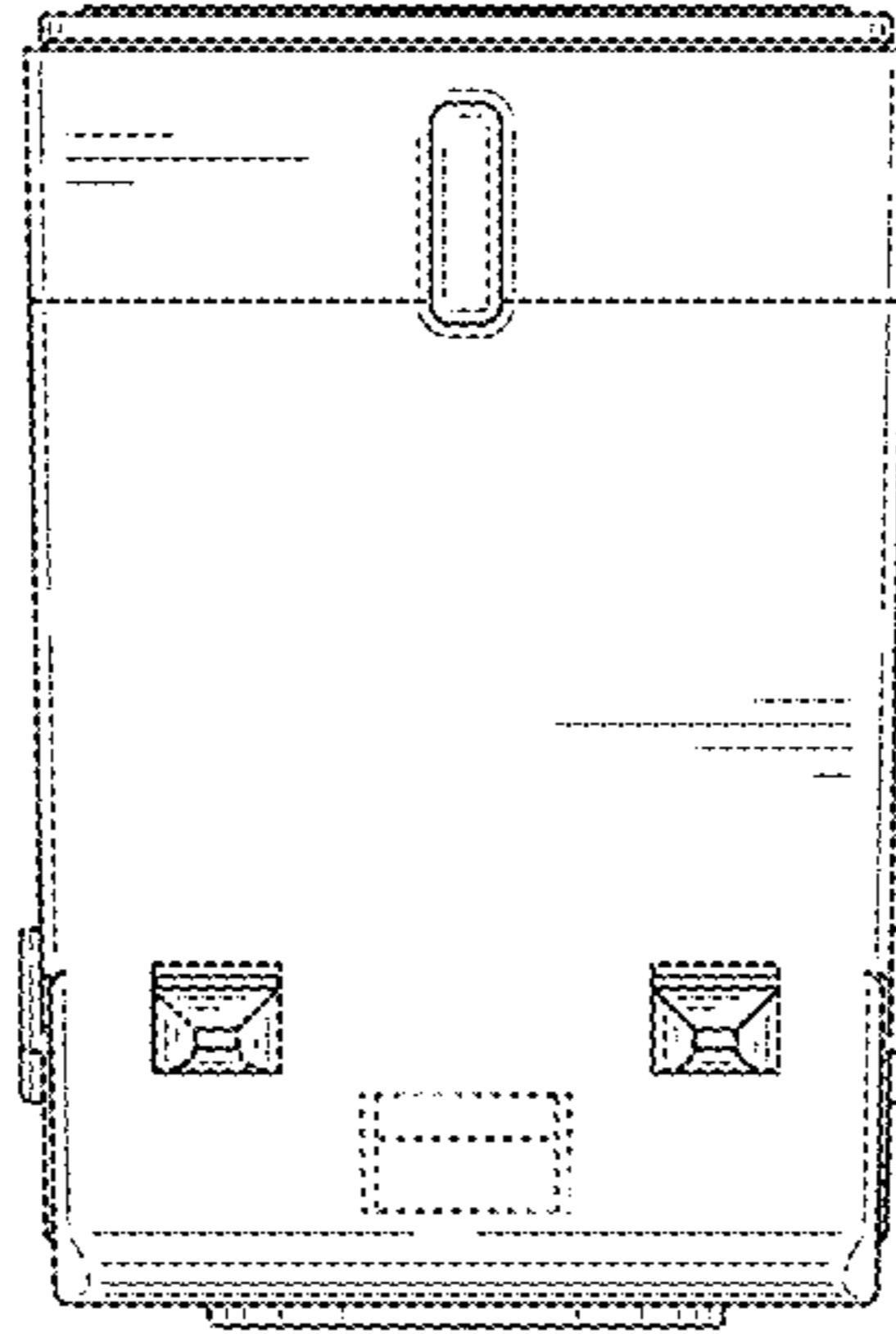
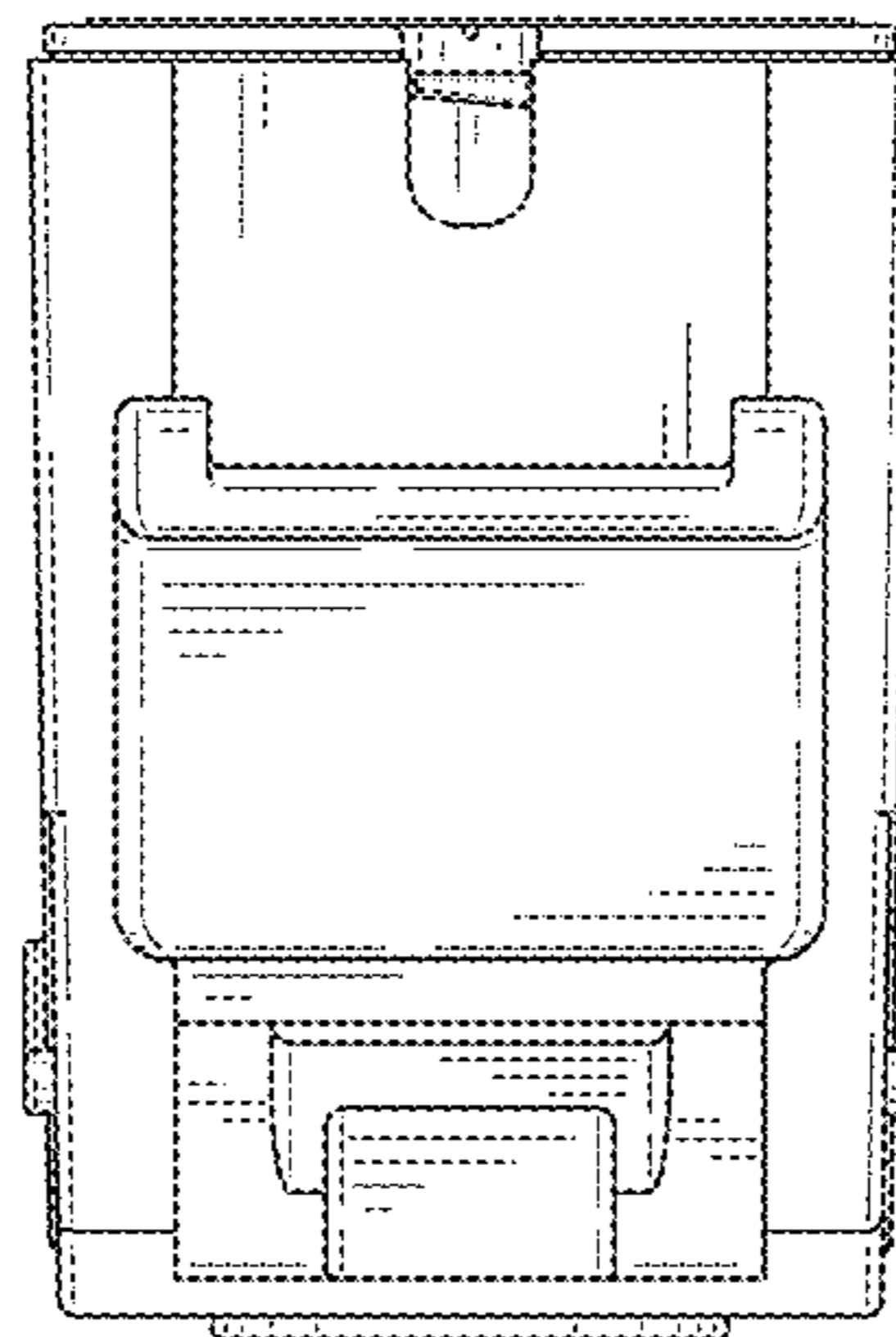


FIG. 4



*FIG. 5*



*FIG. 6*

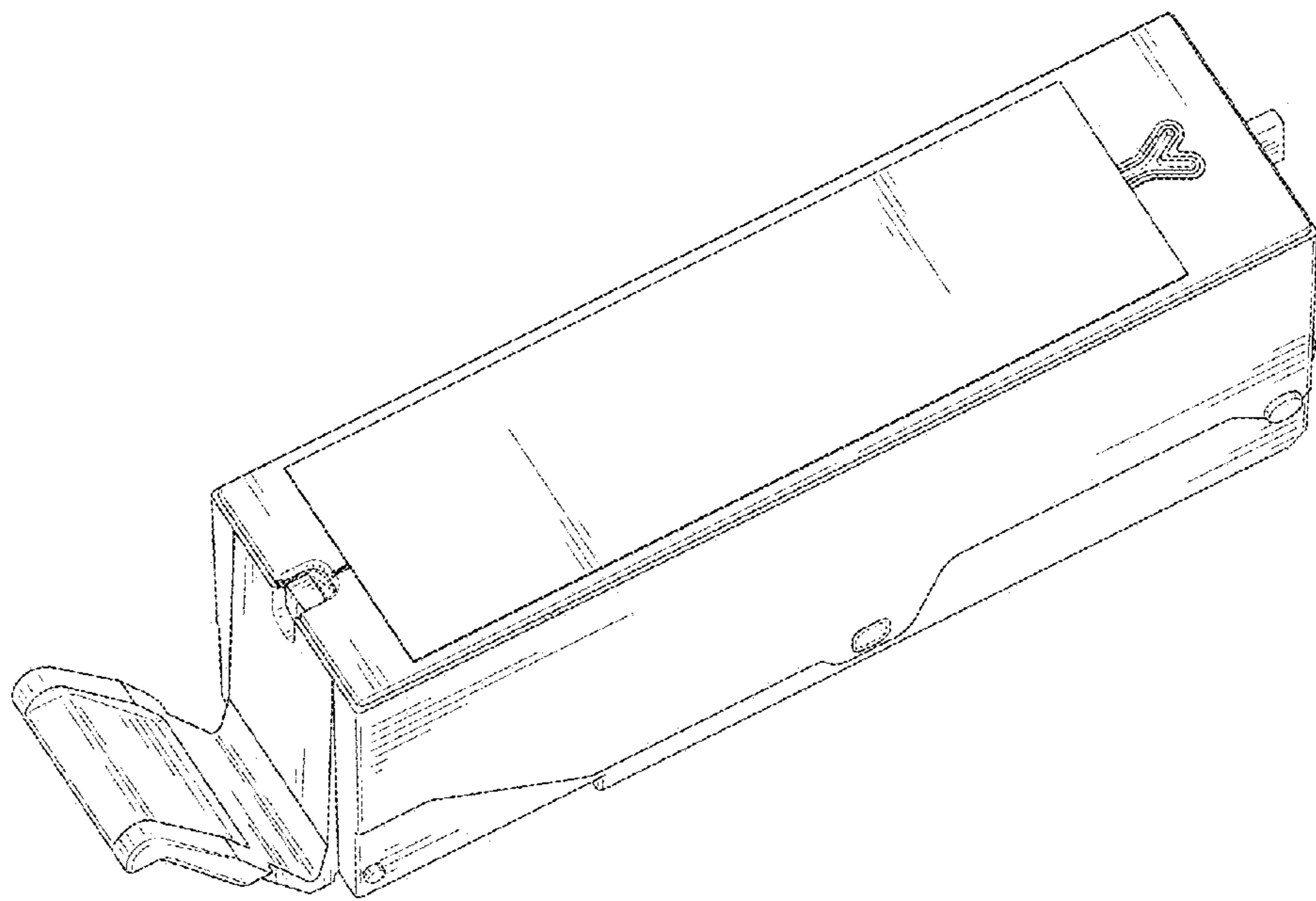


FIG. 7