



US00D696717S

(12) **United States Design Patent**
Kim et al.

(10) **Patent No.:** **US D696,717 S**
(45) **Date of Patent:** **** Dec. 31, 2013**

(54) **PRINTER**
(75) Inventors: **Jong-Kyu Kim**, Seoul (KR); **Min-Chul Kim**, Seoul (KR); **Seung-Wook Jeong**, Seoul (KR)
(73) Assignee: **Samsung Electronics Co., Ltd.**, Suwon, Kyunggi-do (KR)
(**) Term: **14 Years**
(21) Appl. No.: **29/415,216**
(22) Filed: **Mar. 8, 2012**

D552,170 S 10/2007 Kim et al.
D555,195 S 11/2007 Park et al.
D555,722 S 11/2007 Bae et al.
D556,253 S 11/2007 Hong et al.
D556,822 S 12/2007 Hong et al.
D558,261 S 12/2007 Hong et al.
D558,262 S 12/2007 Hong et al.
D558,820 S 1/2008 Hong et al.
D558,822 S * 1/2008 Smith et al. D18/55
D561,248 S 2/2008 Lee et al.
D561,824 S 2/2008 Park et al.
D562,378 S 2/2008 Kim et al.
D562,886 S * 2/2008 Egami et al. D18/55

(Continued)

(30) **Foreign Application Priority Data**
Oct. 5, 2011 (KR) 30-2011-0041171
(51) **LOC (9) Cl.** **14-02**
(52) **U.S. Cl.**
USPC **D18/55**
(58) **Field of Classification Search**
USPC D18/14, 19, 36-37, 50, 54, 54.1, 55;
D14/452-425, 463-470; 400/613,
400/613.1-613.4, 690, 690.1-690.4,
400/691-694
See application file for complete search history.

OTHER PUBLICATIONS

U.S. Appl. No. 29/404,389, Applicant: Kyong-Hwan Kim et al., filed Oct. 20, 2011 entitled Printer With Functions of Copy Machine, Scanner and Fax Machine, allowed.

(Continued)

Primary Examiner — Cathy A MacCormac
(74) *Attorney, Agent, or Firm* — Flynn, Thiel, Boutell & Tanis, P.C.

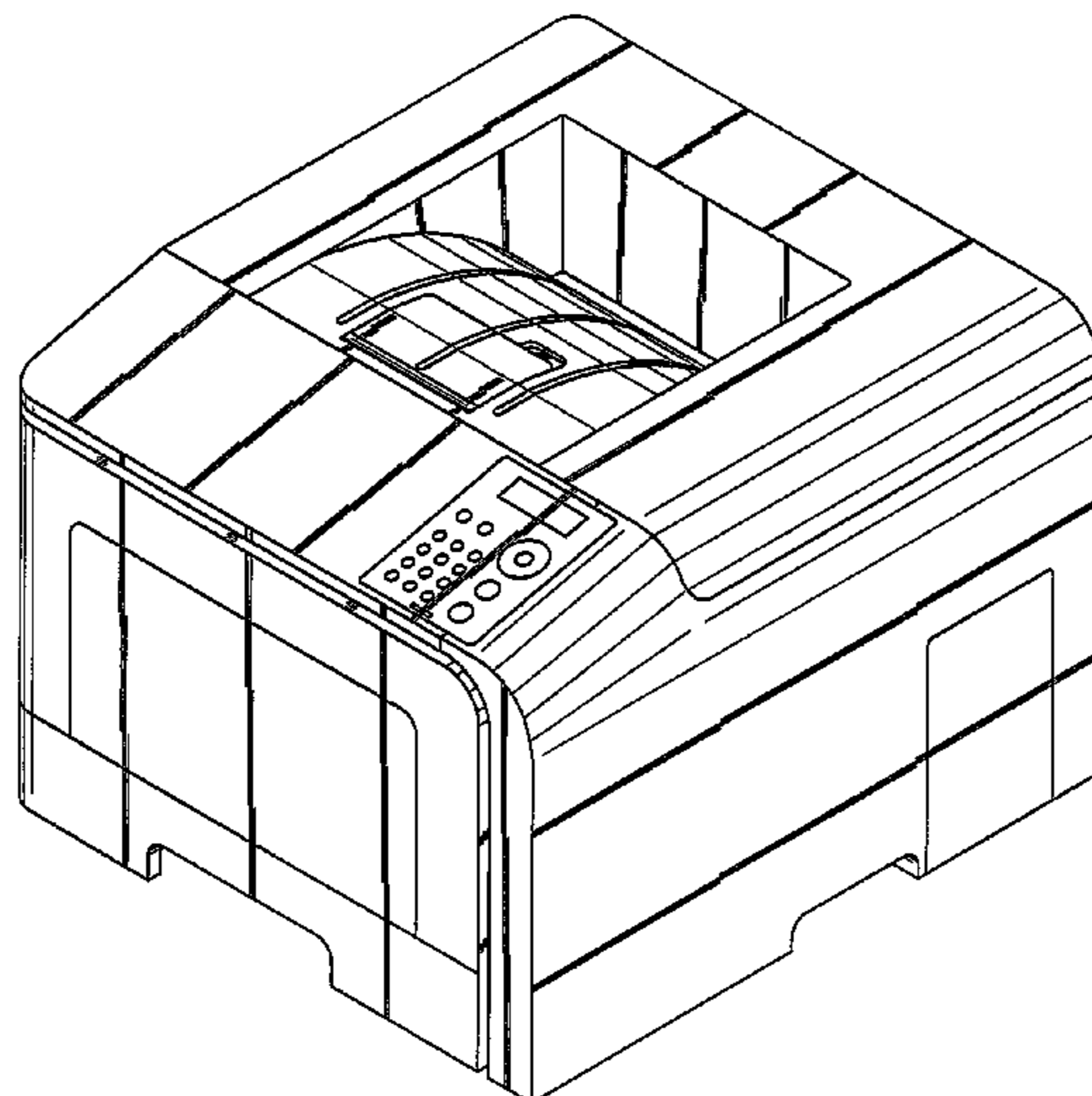
(57) **CLAIM**
The ornamental design for a printer, as shown and described.

(56) **References Cited**
U.S. PATENT DOCUMENTS
D326,867 S 6/1992 Kwak
D351,189 S * 10/1994 Yamaguchi et al. D18/55
D359,506 S 6/1995 Lee
D378,218 S 2/1997 Hong et al.
D402,688 S * 12/1998 Laidlaw D18/53
D527,045 S 8/2006 Lim et al.
D529,950 S * 10/2006 Katayama et al. D18/50
D530,737 S 10/2006 Lim et al.
D532,043 S 11/2006 Park et al.
D536,372 S 2/2007 Lim et al.
D544,906 S * 6/2007 Alfonso et al. D18/55
D551,700 S 9/2007 Park et al.

DESCRIPTION

FIG. 1 is a top front perspective view of a printer showing our new design;
FIG. 2 is a front elevational view thereof;
FIG. 3 is a rear elevational view thereof;
FIG. 4 is a left side elevational view thereof;
FIG. 5 is a right side elevational view thereof;
FIG. 6 is a top plan view thereof; and,
FIG. 7 is a bottom plan view thereof.
The broken lines depict environmental subject matter only and form no part of the claimed design.

1 Claim, 5 Drawing Sheets



(56)

References Cited

U.S. PATENT DOCUMENTS

D573,178 S 7/2008 Lee et al.
 D573,179 S 7/2008 Bae et al.
 D578,494 S * 10/2008 Hattori D18/55
 D580,483 S 11/2008 Park et al.
 D581,976 S 12/2008 Park et al.
 D584,344 S 1/2009 Lee et al.
 D584,347 S 1/2009 Hong et al.
 D584,348 S 1/2009 Boo et al.
 D585,934 S * 2/2009 Tomono et al. D18/55
 D586,385 S 2/2009 Kim et al.
 D593,149 S 5/2009 Park et al.
 D601,185 S 9/2009 Kim et al.
 D601,186 S 9/2009 Kim et al.
 D607,049 S * 12/2009 Sasaki et al. D18/55
 D607,502 S 1/2010 Lee et al.
 D607,506 S 1/2010 Kim et al.
 D607,925 S 1/2010 Morrison et al.
 D607,927 S 1/2010 Kim et al.
 D607,928 S 1/2010 Kim et al.
 D621,441 S 8/2010 Kim
 D622,761 S 8/2010 Kim et al.
 D624,956 S 10/2010 Park et al.
 D624,957 S 10/2010 Park et al.
 D626,588 S 11/2010 Kim et al.
 D632,732 S 2/2011 Park et al.
 D633,139 S 2/2011 Park et al.
 D633,556 S 3/2011 Park et al.
 D633,557 S * 3/2011 Egami et al. D18/55
 D634,359 S 3/2011 Park et al.
 D639,847 S * 6/2011 Nakata et al. D18/50
 D641,038 S 7/2011 Park et al.
 D641,393 S 7/2011 Kim et al.
 D641,395 S 7/2011 Park et al.

D641,396 S 7/2011 Park et al.
 D641,397 S 7/2011 Kim et al.
 D641,398 S 7/2011 Kim et al.
 D641,399 S * 7/2011 Penke et al. D18/55
 D641,778 S 7/2011 Lee et al.
 D643,874 S 8/2011 Kim et al.
 D645,078 S 9/2011 Kim et al.
 D645,899 S * 9/2011 Nagano et al. D18/55
 D647,130 S 10/2011 Kim et al.
 D647,131 S 10/2011 Park et al.
 D647,132 S 10/2011 Kim et al.
 D653,703 S * 2/2012 Seki et al. D18/55
 D659,187 S * 5/2012 Choo D18/55
 D662,131 S * 6/2012 Leman et al. D18/55

OTHER PUBLICATIONS

U.S. Appl. No. 29/404,391, Applicant: Kyong-Hwan Kim et al., filed Oct. 20, 2011 entitled Printer With Functions of Copy Machine and Scanner, allowed.
 U.S. Appl. No. 29/404,392, Applicant: Kyong-Hwan Kim et al., filed Oct. 20, 2011 entitled Laser Printer, allowed.
 U.S. Appl. No. 29/404,393, Applicant: Kyong-Hwan Kim et al., filed Oct. 20, 2011 entitled Laser Printer, allowed.
 U.S. Appl. No. 29/404,398, Applicant: Kyong-Hwan Kim et al., filed Oct. 20, 2011 entitled Printer With Functions of Copy Machine, Scanner and Fax Machine, allowed.
 U.S. Appl. No. 29/404,388, Applicant: Kyong-Hwan Kim et al., filed Oct. 20, 2011 entitled Printer With Functions of Copy Machine and Fax Machine, allowed.
 U.S. Appl. No. 29/415,211, Applicant: Min-Chul Kim, et al., filed Mar. 8, 2012 entitled Printer, pending.
 U.S. Appl. No. 29/415,218, Applicant: Jong-Kyu Kim, et al., filed Mar. 8, 2012 entitled Printer, pending.

* cited by examiner

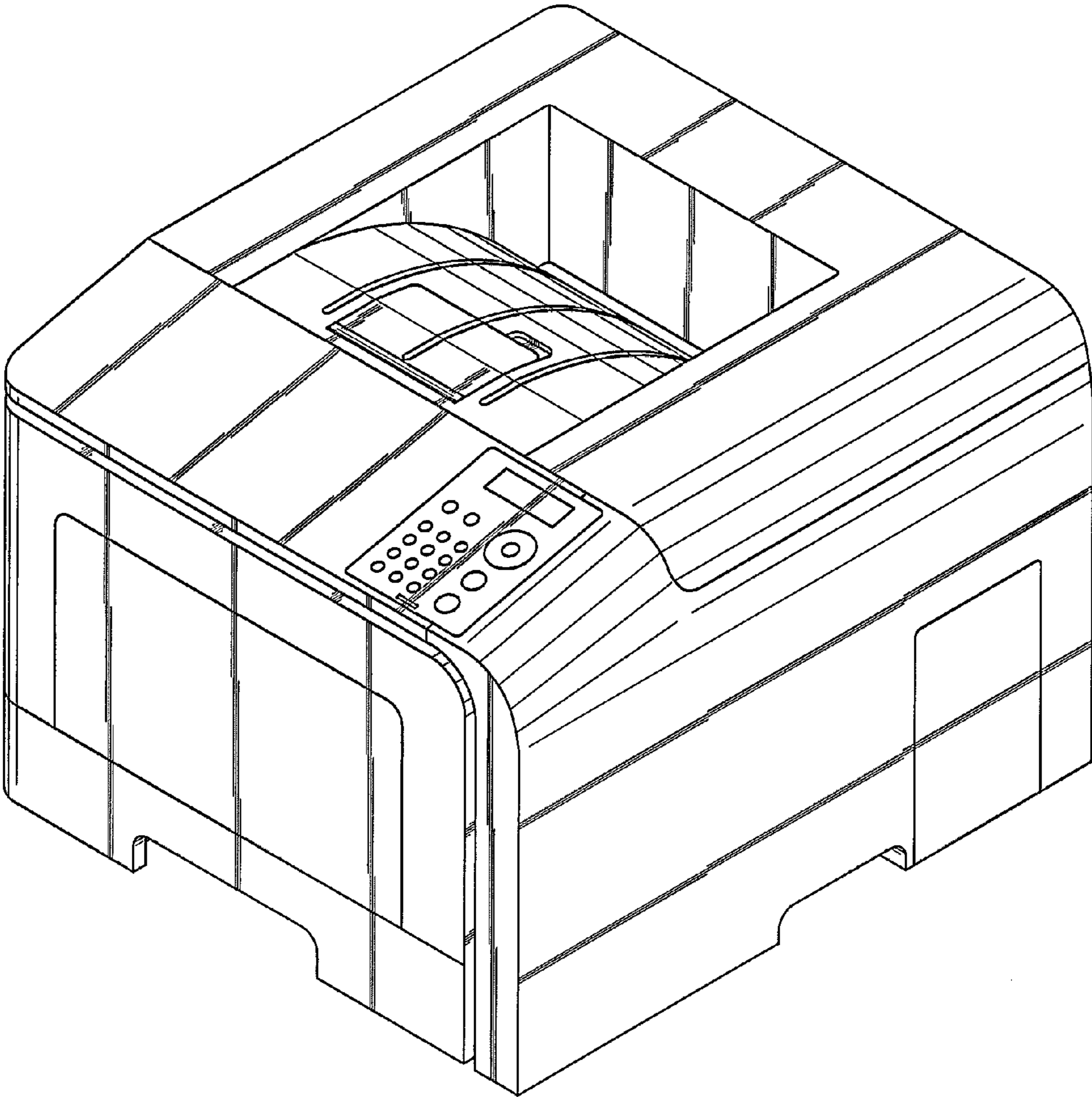


FIG.1

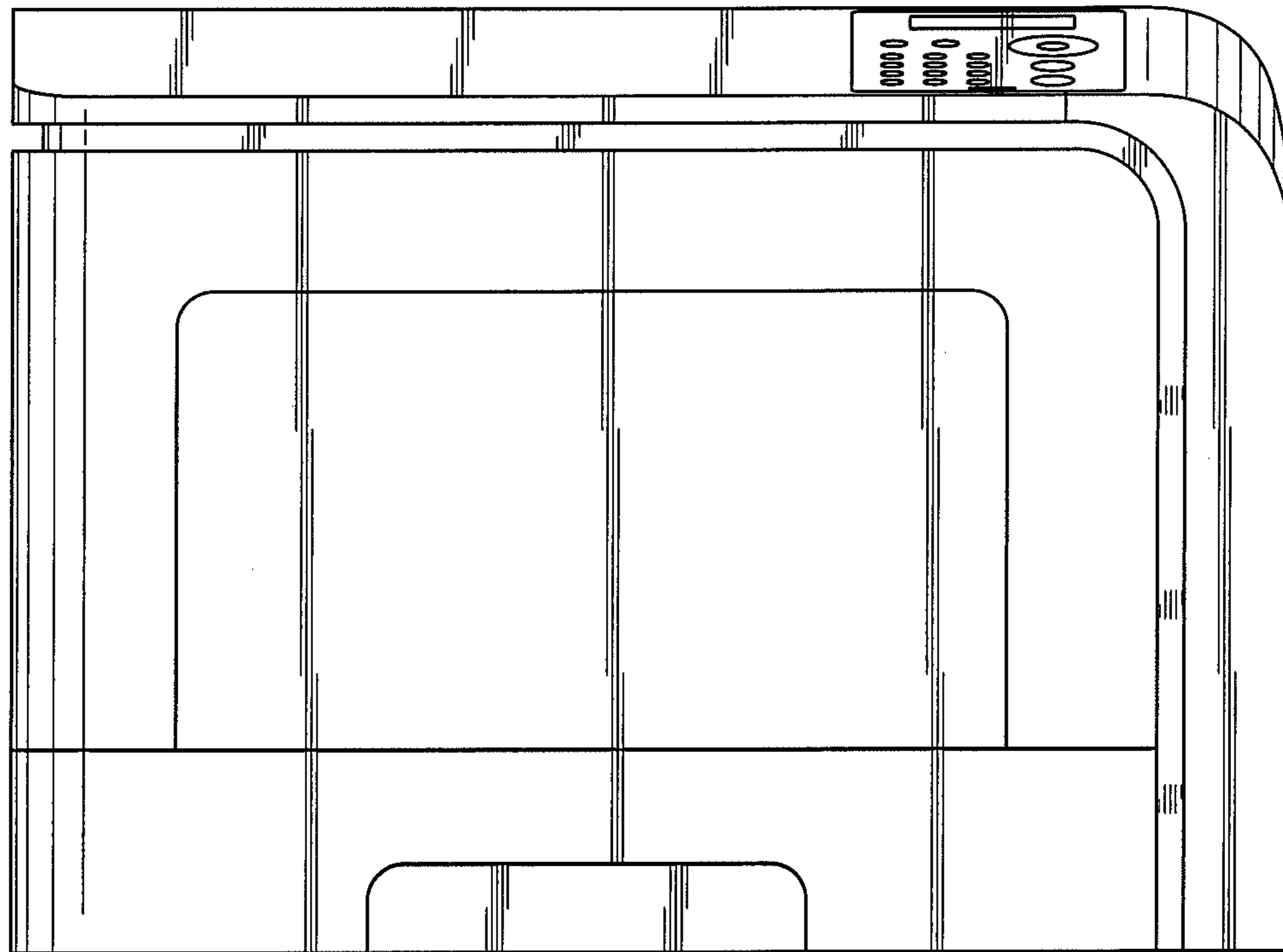


FIG. 2

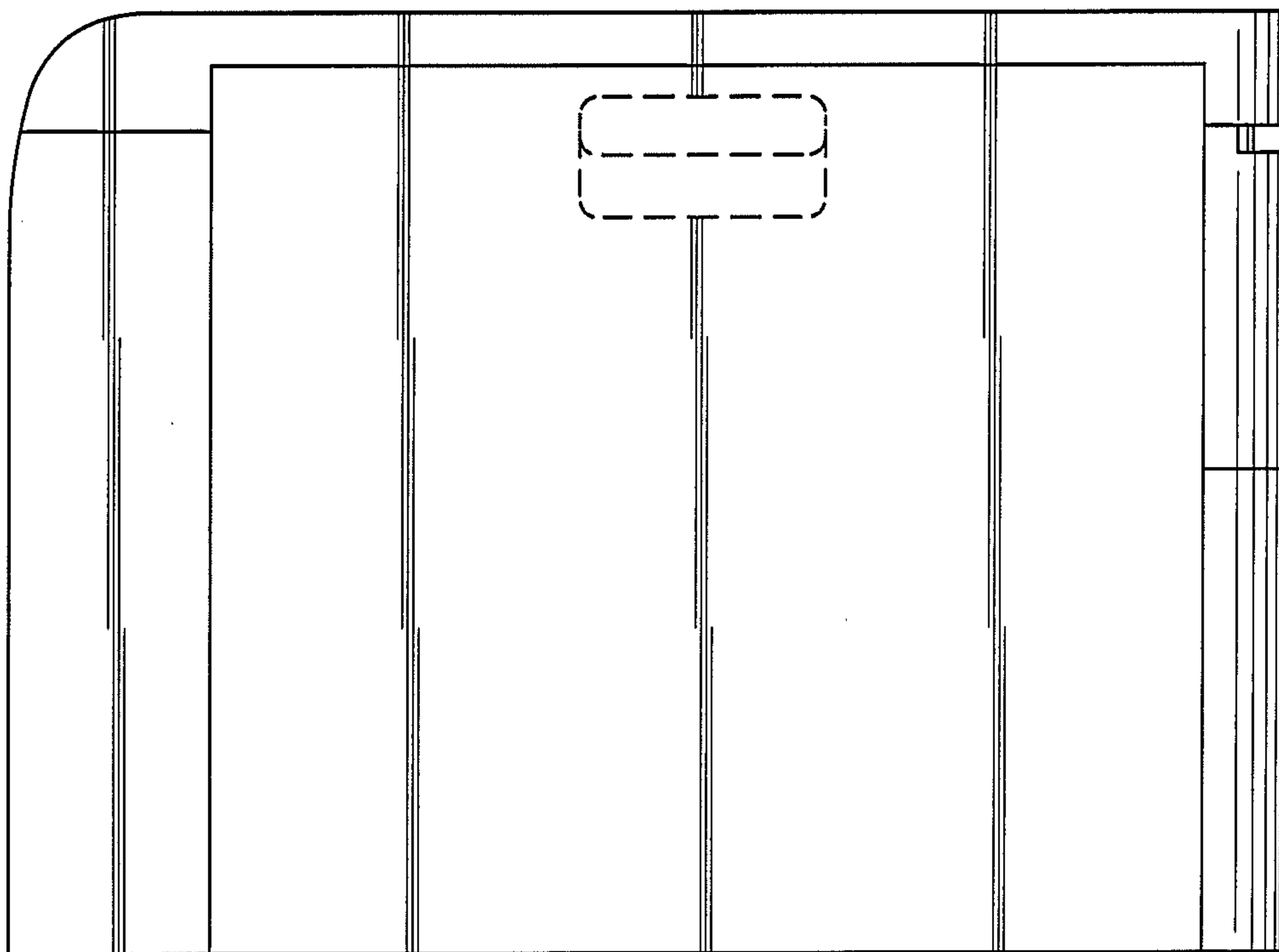


FIG. 3

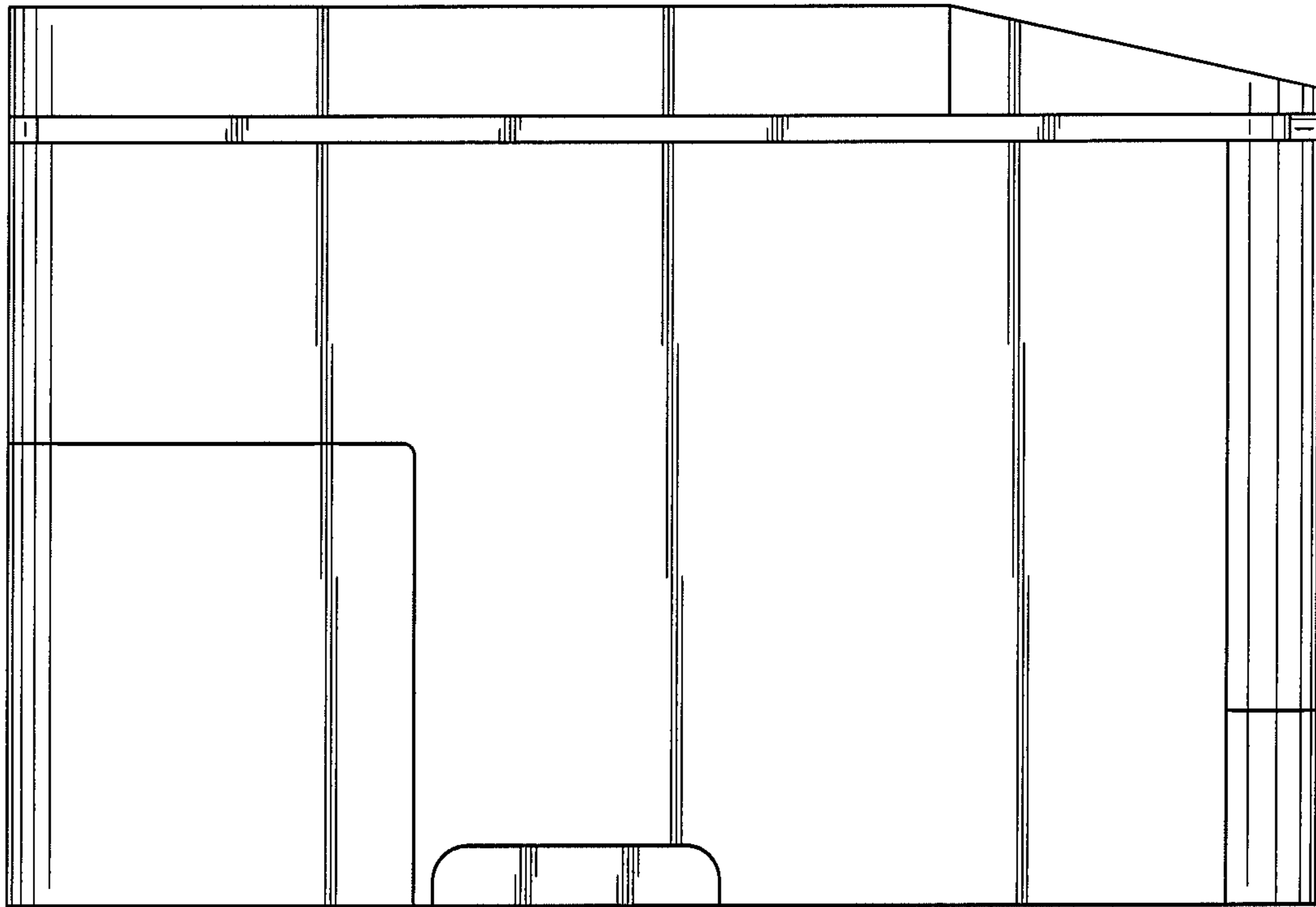


FIG. 4

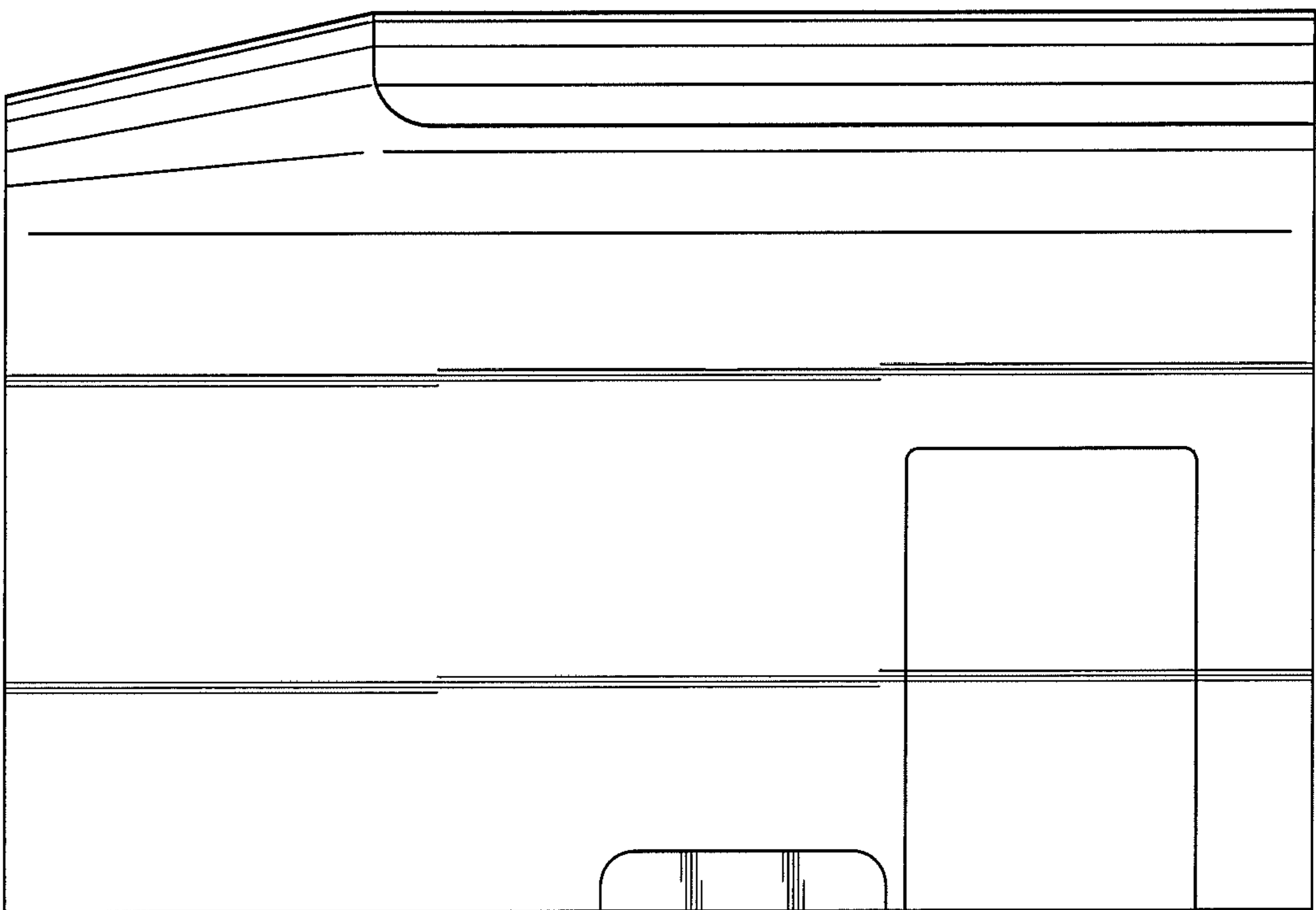


FIG. 5

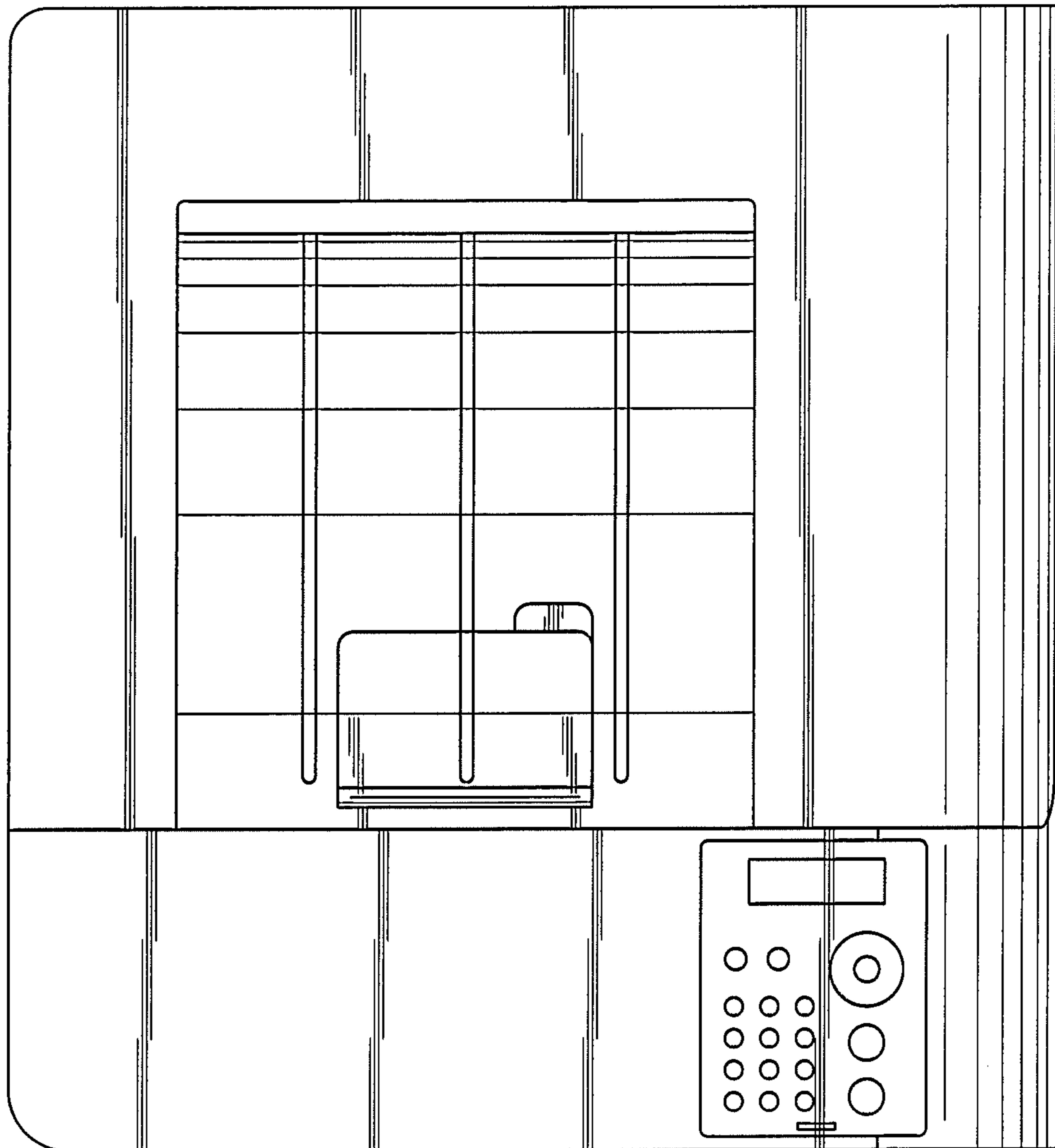


FIG.6

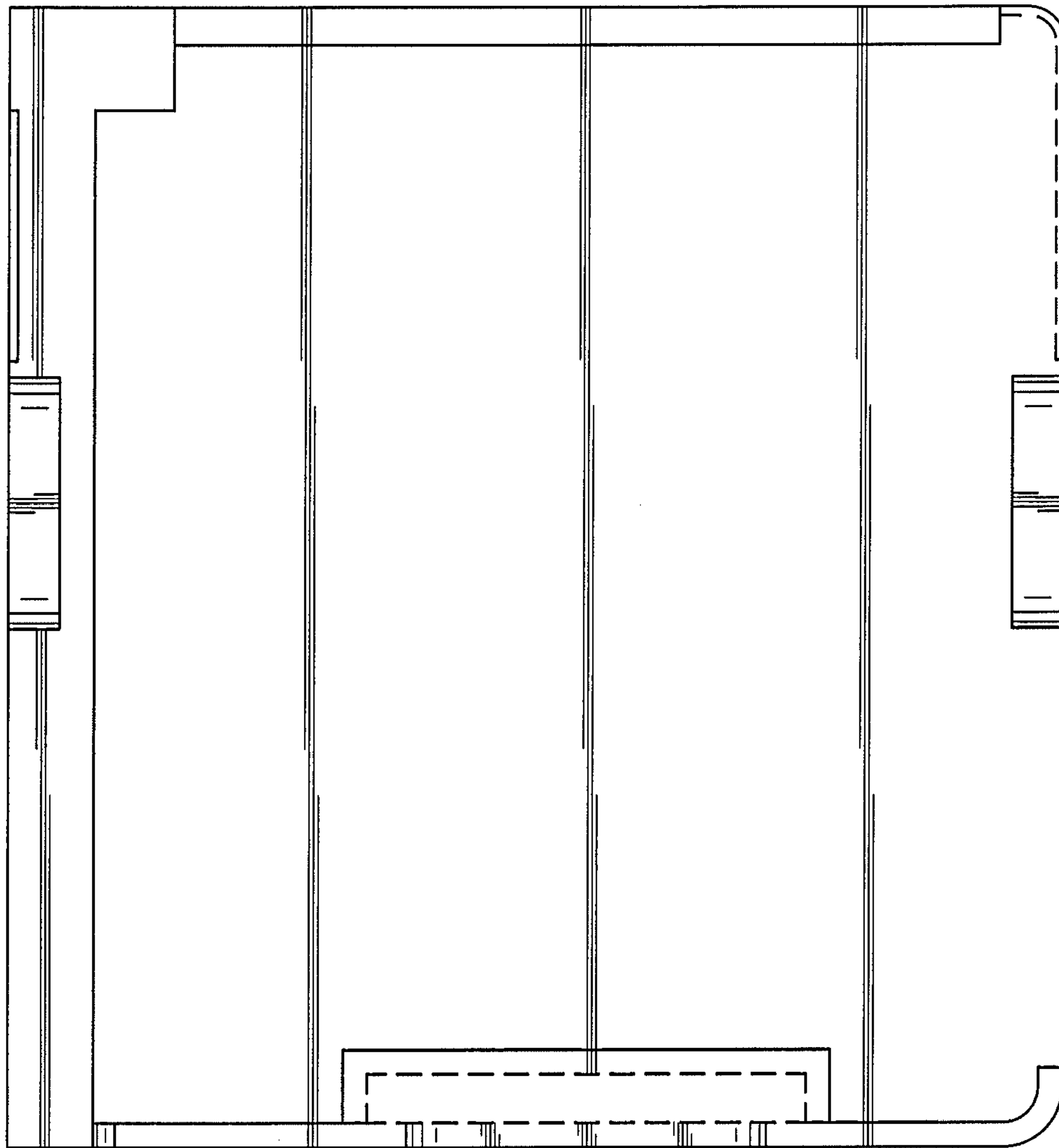


FIG.7