



US00D696715S

(12) **United States Design Patent**
Sato et al.

(10) **Patent No.:** **US D696,715 S**

(45) **Date of Patent:** **** Dec. 31, 2013**

- (54) **ELECTRONIC KEYBOARD**
- (71) Applicant: **Yamaha Corporation**, Hamamatsu (JP)
- (72) Inventors: **Mami Sato**, Hamamatsu (JP); **Kazuki Kashiwase**, Hamamatsu (JP)
- (73) Assignee: **Yamaha Corporation**, Shizuoka (JP)
- (**) Term: **14 Years**
- (21) Appl. No.: **29/440,766**
- (22) Filed: **Dec. 27, 2012**
- (51) **LOC (9) Cl.** **17-01**
- (52) **U.S. Cl.**
USPC **D17/1**
- (58) **Field of Classification Search**
USPC D17/1, 7; 84/719, 19, 172, 423 R, 442,
84/443; D21/405, 409
See application file for complete search history.

- D554,690 S * 11/2007 Utsunomiya D17/1
- D554,691 S * 11/2007 Ogino D17/1
- D558,255 S * 12/2007 Reichhuber D17/1
- D585,478 S * 1/2009 Takei D17/1
- D667,867 S * 9/2012 Kitazawa D17/1
- D668,287 S * 10/2012 Kitazawa D17/1
- D668,710 S * 10/2012 Okamura et al. D17/1

* cited by examiner

Primary Examiner — Rashida Johnson

(74) *Attorney, Agent, or Firm* — Sughrue Mion, PLLC

(57) **CLAIM**

The ornamental design for an electronic keyboard, as shown and described.

DESCRIPTION

FIG. 1 is a front perspective view of the front, top and right side of an electronic keyboard showing our new design; FIG. 2 is a front view thereof; FIG. 3 is a rear view thereof; FIG. 4 is a left side view thereof; FIG. 5 is a right side view thereof; FIG. 6 is a top plan view thereof; and, FIG. 7 is a bottom view thereof.

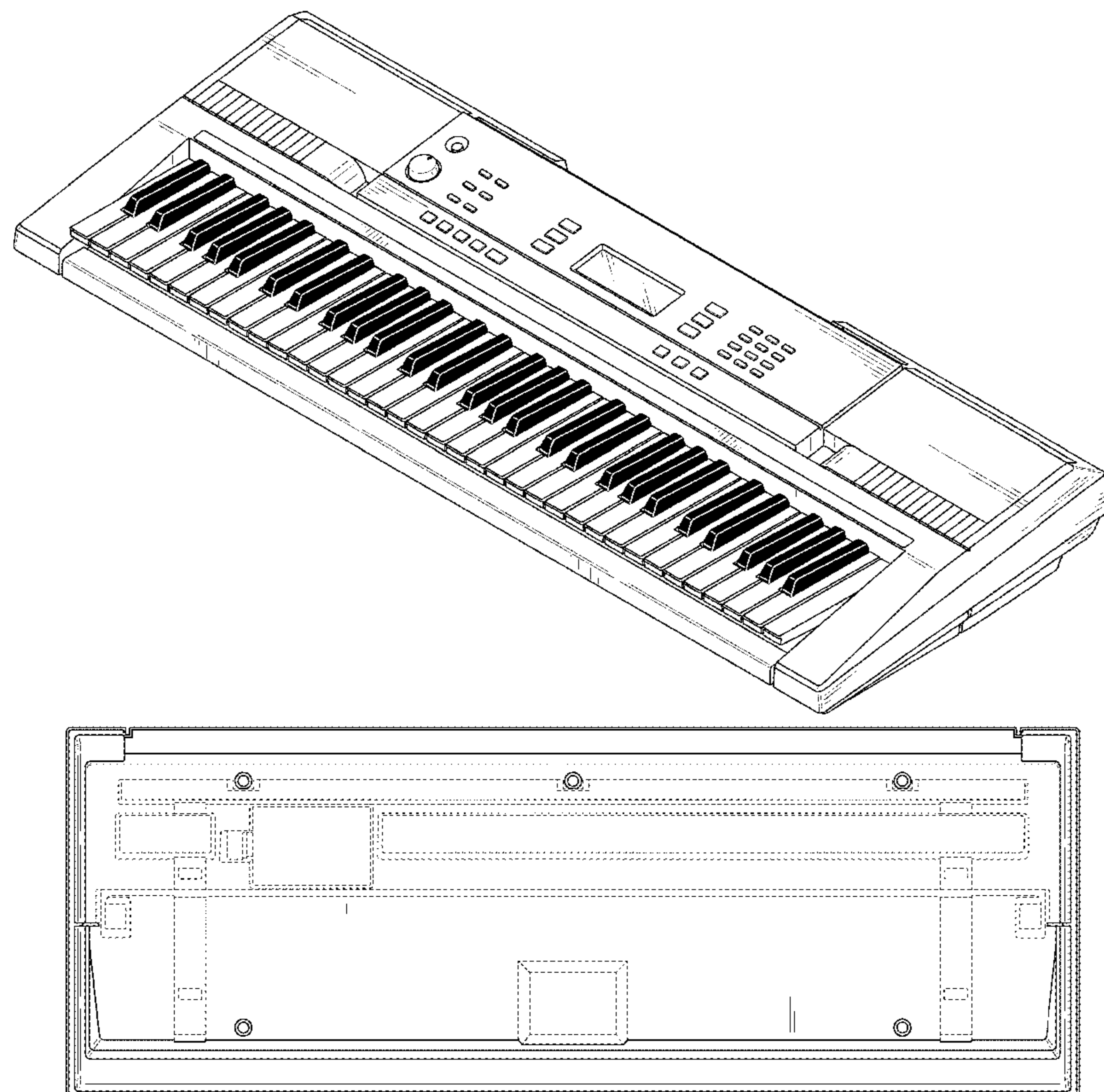
The broken line showing of the electronic keyboard is included for the purpose of illustrating portions of the electronic keyboard and forms no part of the claimed design.

1 Claim, 5 Drawing Sheets

(56) **References Cited**

U.S. PATENT DOCUMENTS

- D305,772 S * 1/1990 Kitsuyu D17/1
- D483,793 S * 12/2003 Kitazawa D17/1
- D508,070 S * 8/2005 Tanaka D17/1
- D508,256 S * 8/2005 Ida et al. D17/1
- D510,381 S * 10/2005 Okamura et al. D17/1
- D554,178 S * 10/2007 Kawada et al. D17/1



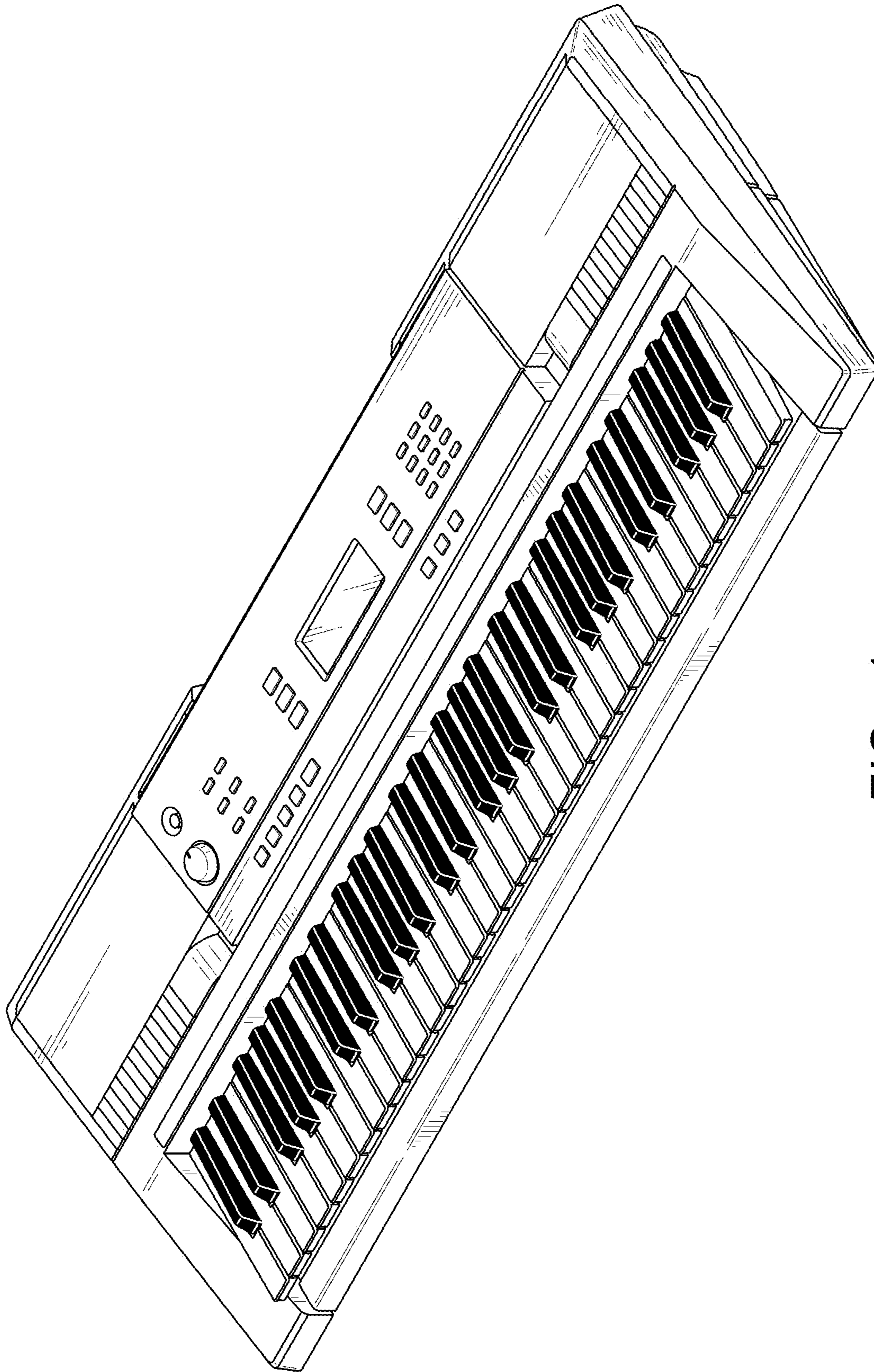


FIG. 1

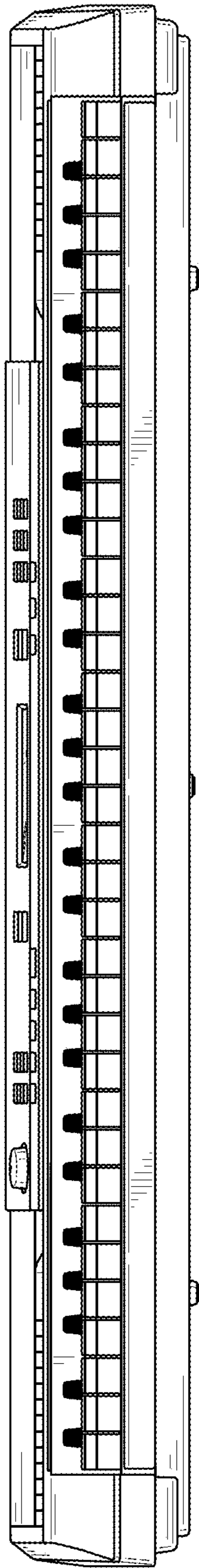


FIG. 2

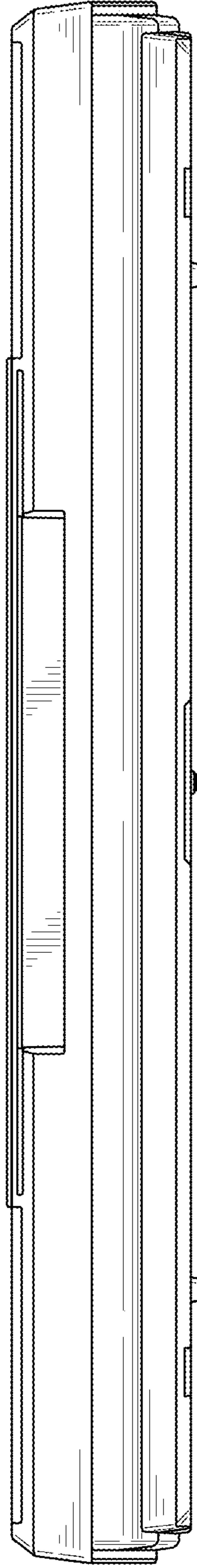


FIG. 3

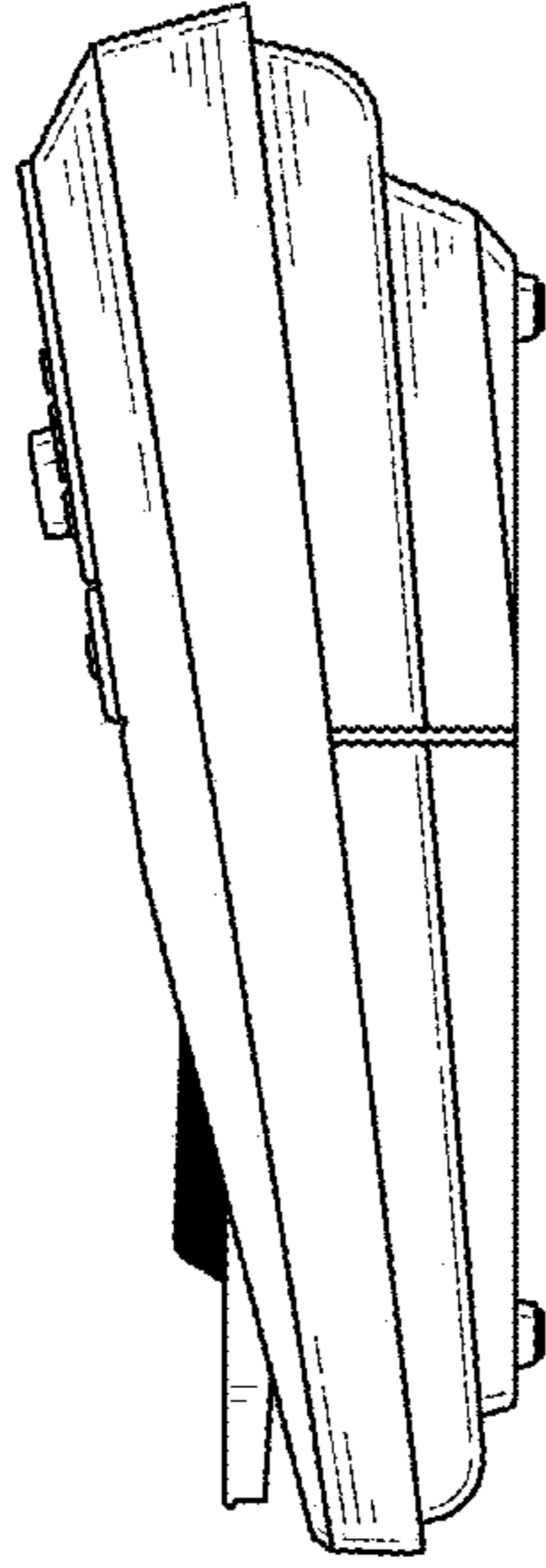


FIG. 4

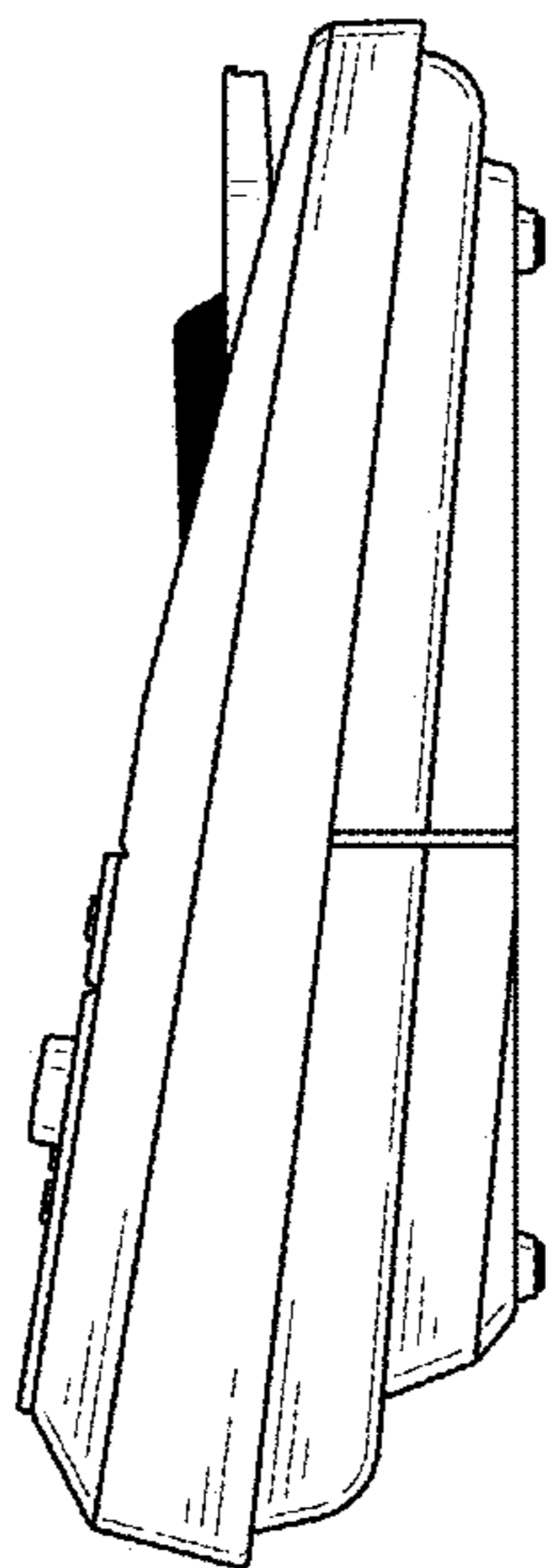


FIG. 5

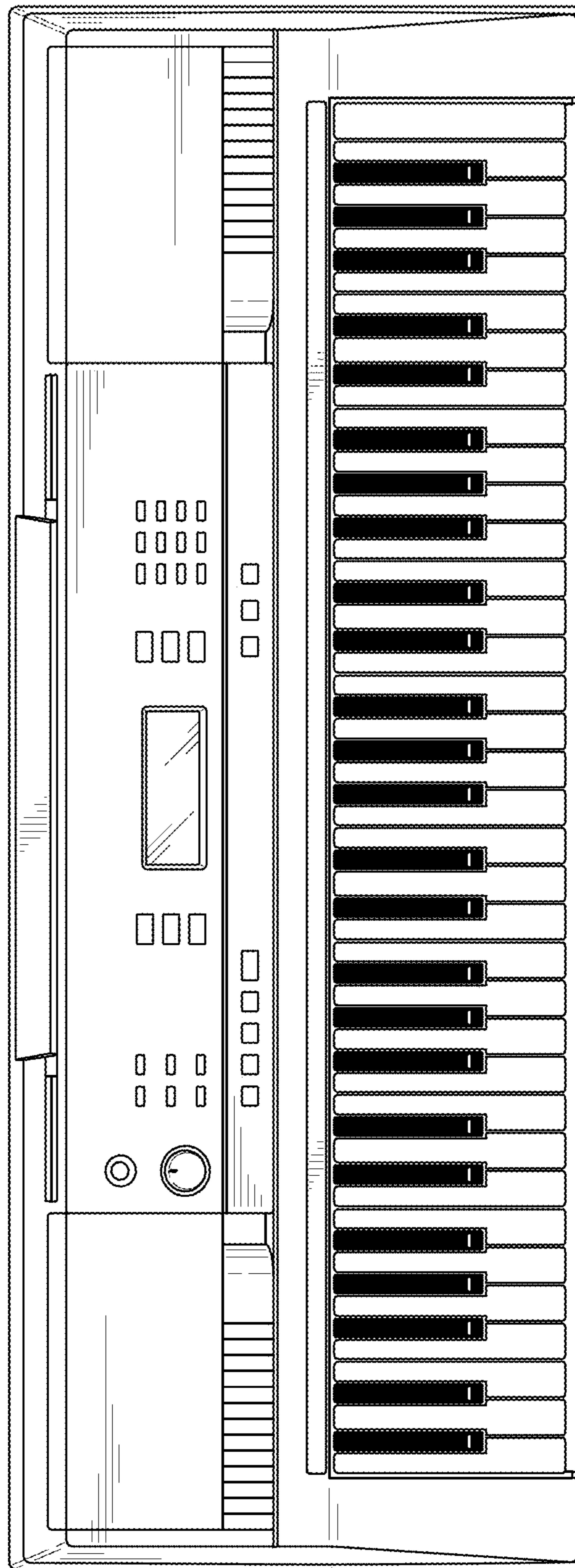


FIG. 6

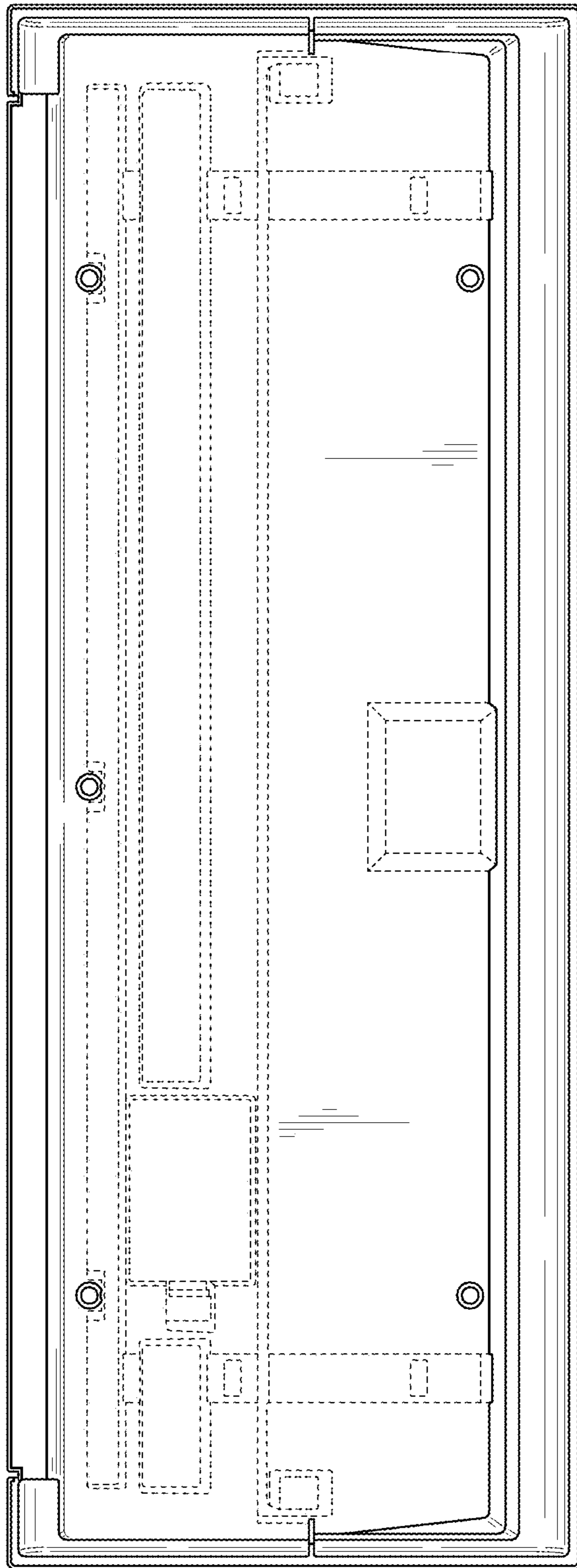


FIG. 7