



US00D696711S

(12) **United States Design Patent**
Takahashi

(10) **Patent No.:** **US D696,711 S**
(45) **Date of Patent:** **** Dec. 31, 2013**

(54) **CAMERA STROBE WITH MOVIE LIGHT**

(75) Inventor: **Noriaki Takahashi**, Hino (JP)
(73) Assignee: **Olympus Imaging Corp.**, Tokyo (JP)
(**) Term: **14 Years**
(21) Appl. No.: **29/422,212**
(22) Filed: **May 17, 2012**

(30) **Foreign Application Priority Data**

Feb. 22, 2012 (JP) 2012-003644

(51) **LOC (9) Cl.** **16-05**

(52) **U.S. Cl.**
USPC **D16/240**

(58) **Field of Classification Search**
USPC D16/134, 219, 237, 239, 240; D26/24,
D26/37-38, 63, 110, 113, 129; 362/3,
362/16-18, 182, 552, 612; D13/180, 182;
313/313-316; 348/370; 396/200;
D10/47, 64, 67, 85, 94, 102, 103;
D14/217, 257, 432, 471
See application file for complete search history.

(56) **References Cited**

U.S. PATENT DOCUMENTS

D484,135 S * 12/2003 Netzel et al. D14/432
D500,334 S * 12/2004 Yanagisawa et al. D16/219
D529,258 S * 10/2006 Naito D16/219
D531,607 S * 11/2006 Kim et al. D14/138 AD
D537,063 S * 2/2007 Kim et al. D14/138 AD
D660,187 S * 5/2012 Chen D10/47

OTHER PUBLICATIONS

Olympus FL-600R Wireless Flash. [online] Retrieved Aug. 22, 2013 from URL: <<http://www.adorama.com/IOMFL600R.html>>.*
Nikon SB-700 TTL AF Shoe Mount Speedlight Flash. [online] Retrieved Aug. 22, 2013 from URL: <<http://www.adorama.com/NKSB700AFU.html>>.*

* cited by examiner

Primary Examiner — Susan Bennett Hattan

Assistant Examiner — Vy Koenig

(74) *Attorney, Agent, or Firm* — Holtz, Holtz, Goodman & Chick, PC

(57) **CLAIM**

The ornamental design for a camera strobe with movie light, as shown and described.

DESCRIPTION

FIG. 1 is a rear, top and left side perspective view of a camera strobe with movie light showing my new design, FIG. 2 is a front elevational view thereof; FIG. 3 is a rear elevational view thereof; FIG. 4 is a top plan view thereof; FIG. 5 is a bottom plan view thereof; FIG. 6 is a right side elevational view thereof; and, FIG. 7 is a left side elevational view thereof. The broken lines shown in the drawings represent portions of the camera strobe with movie light that form no part of the claimed design.

1 Claim, 4 Drawing Sheets

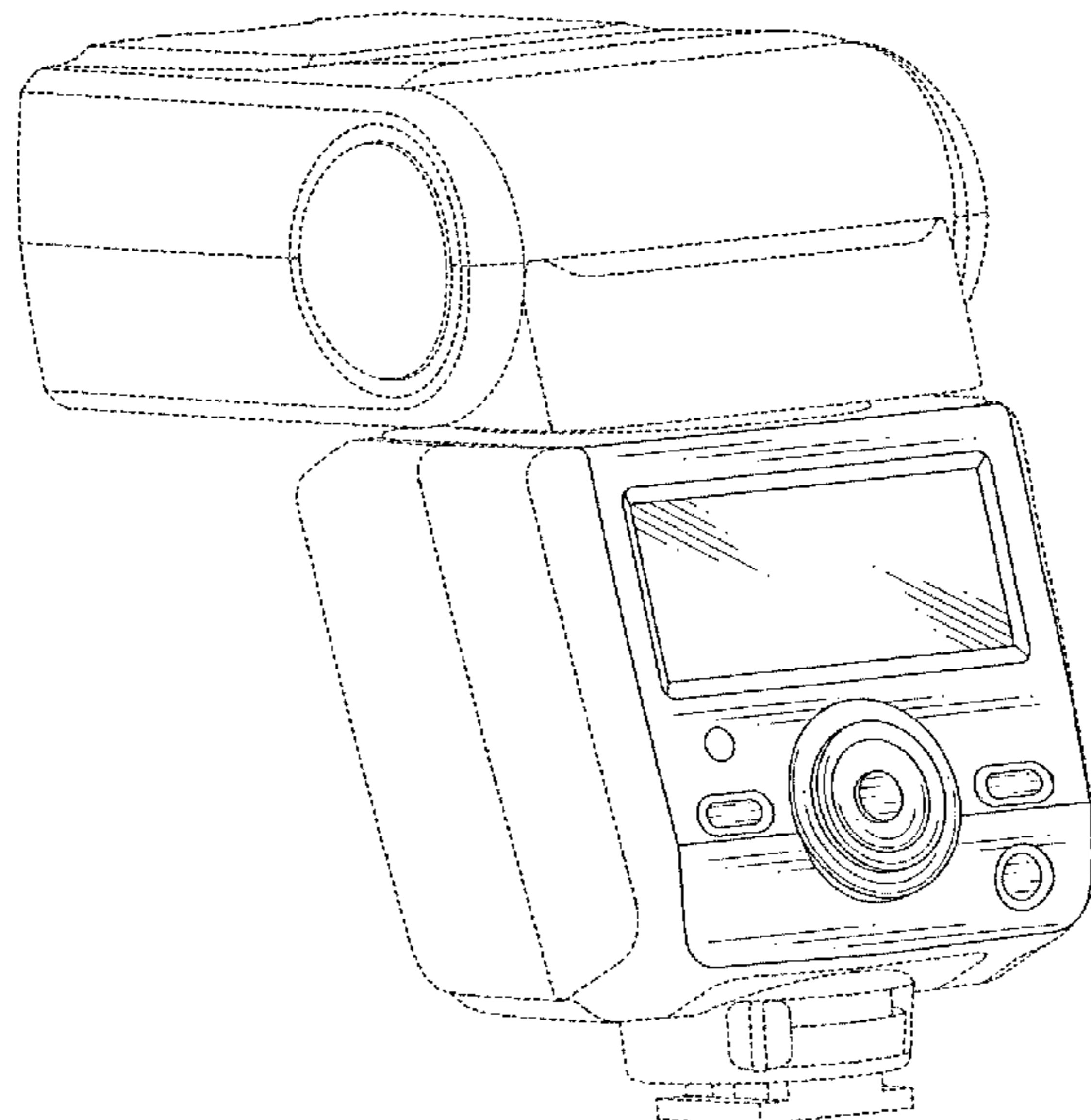


FIG. 1

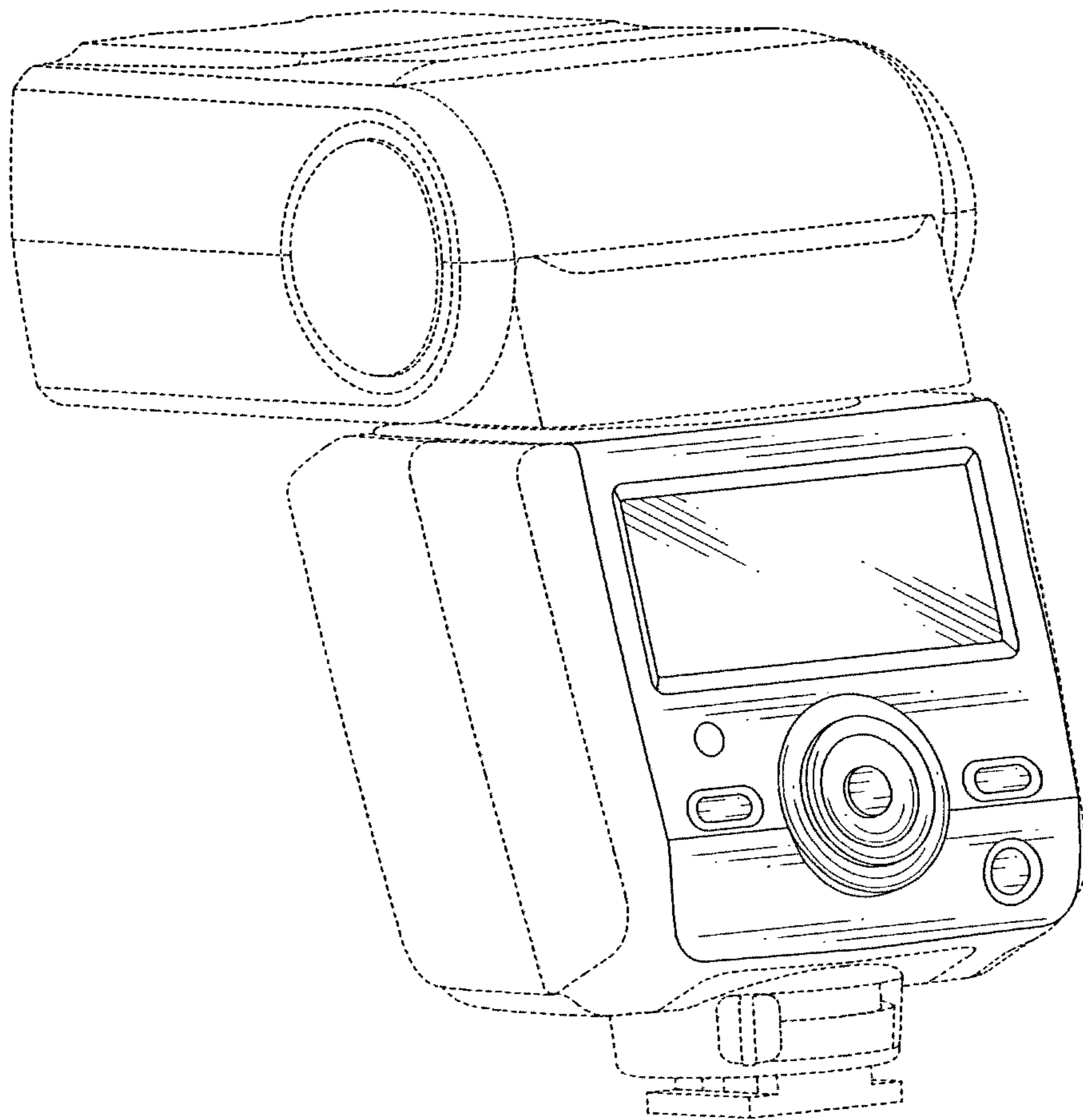


FIG.3

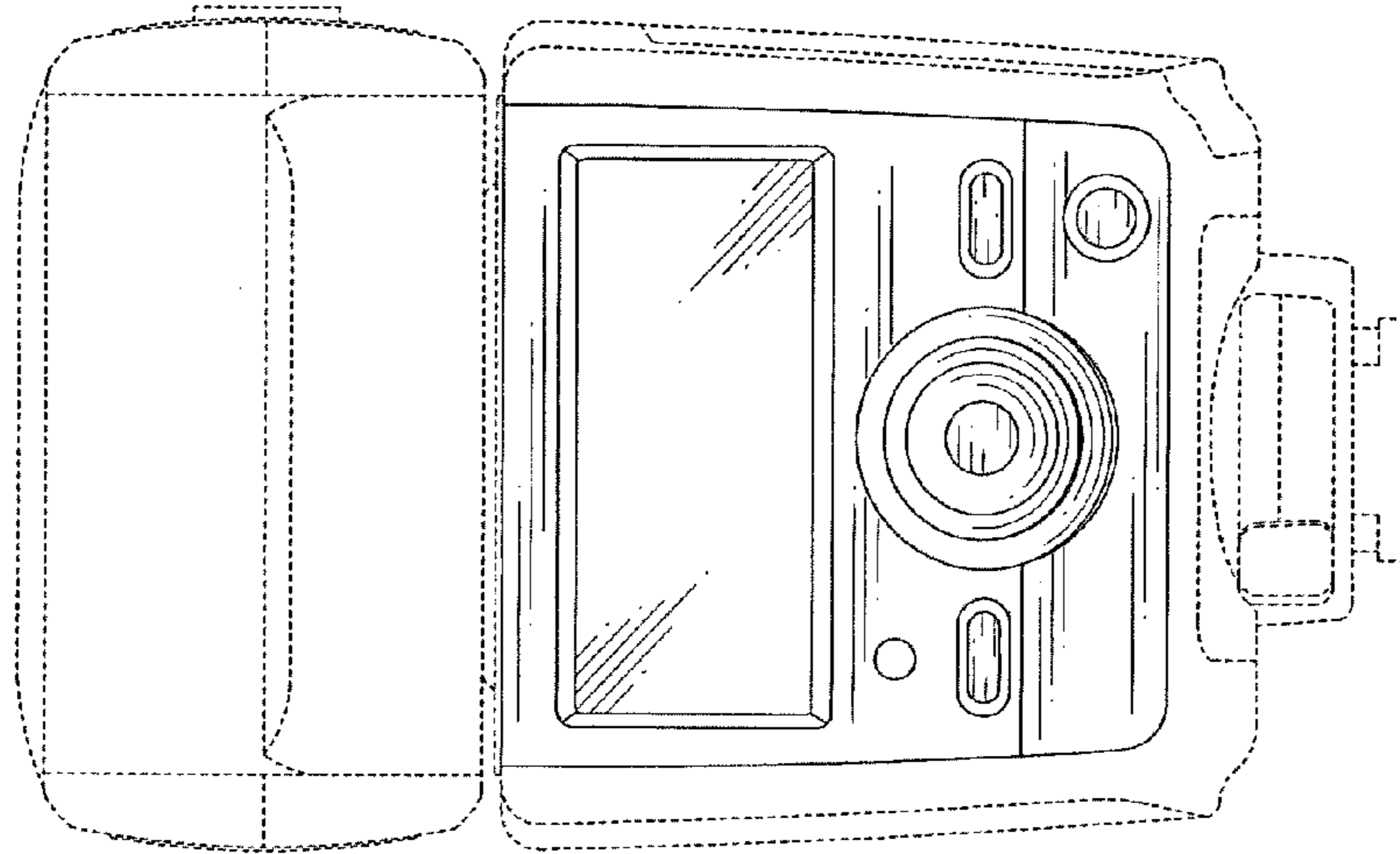


FIG.2

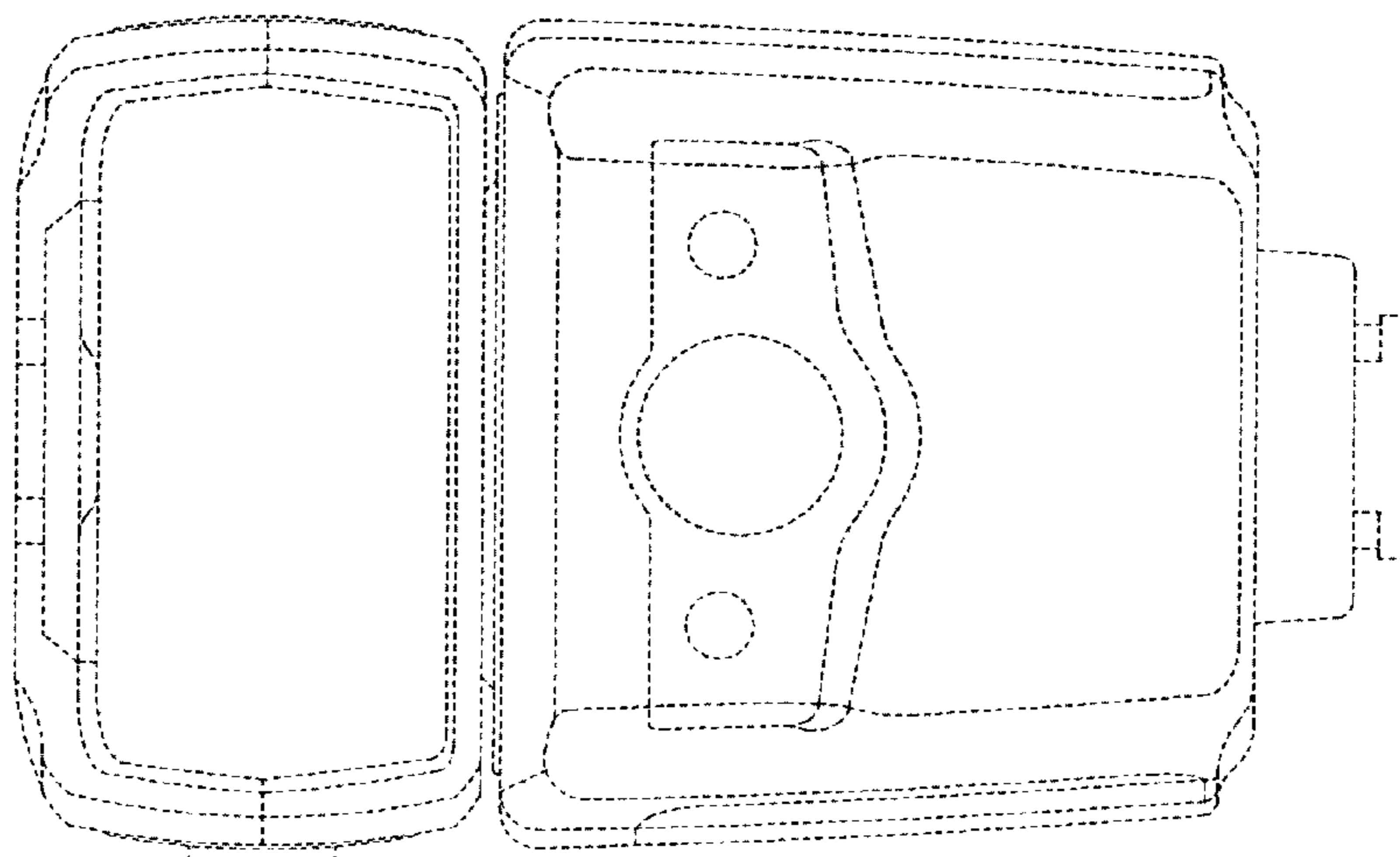


FIG.5

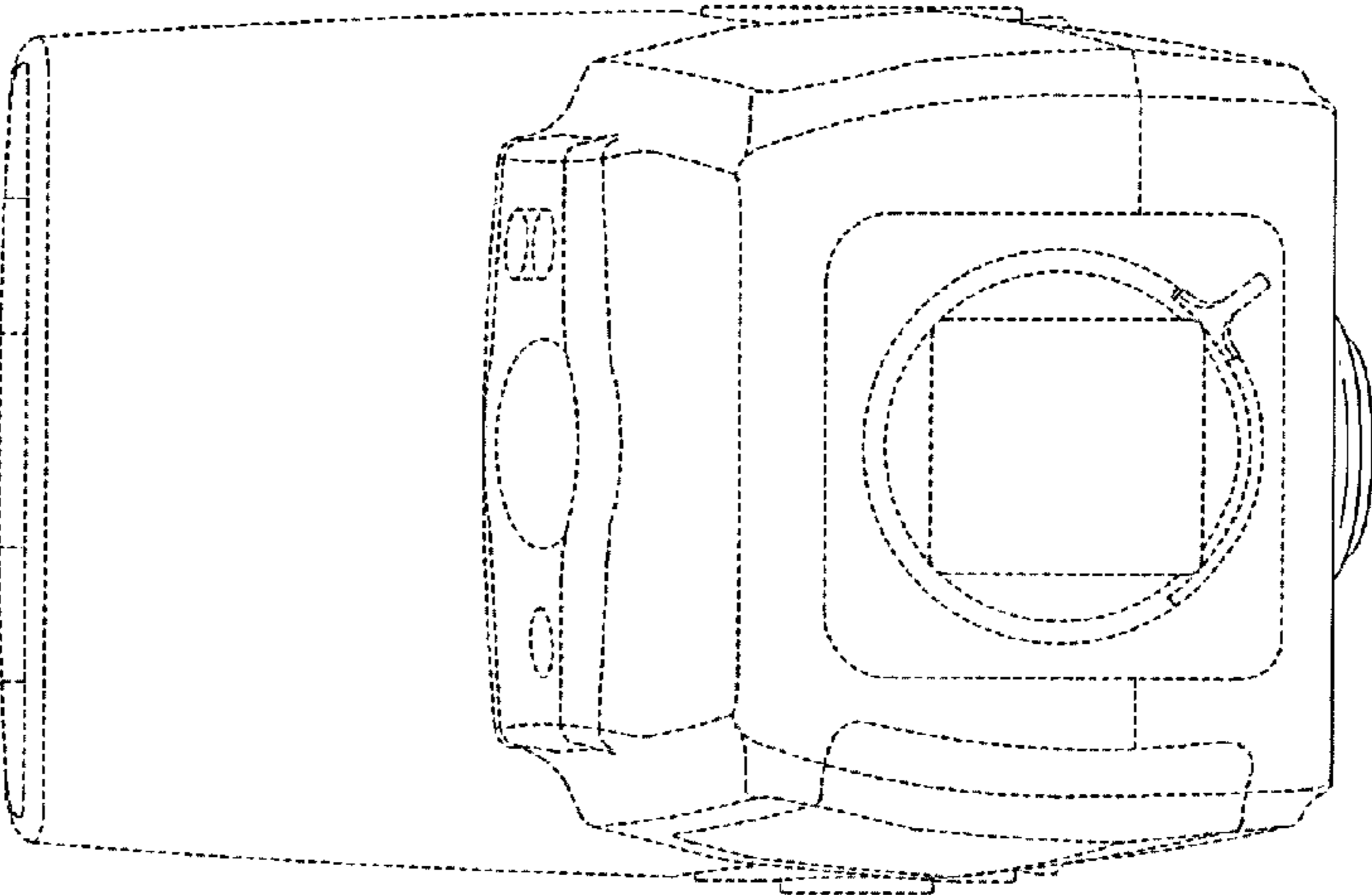


FIG.4

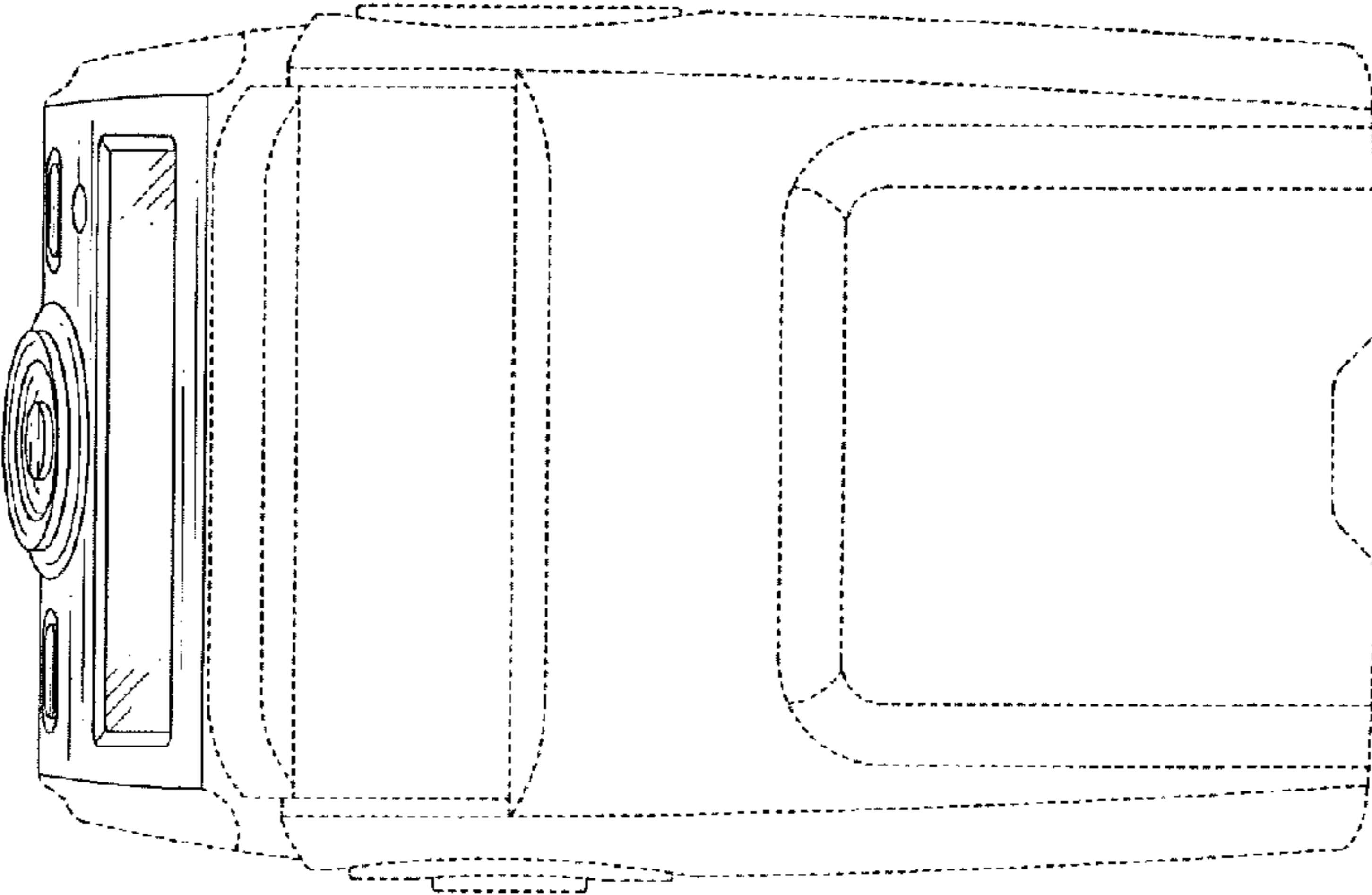


FIG.7

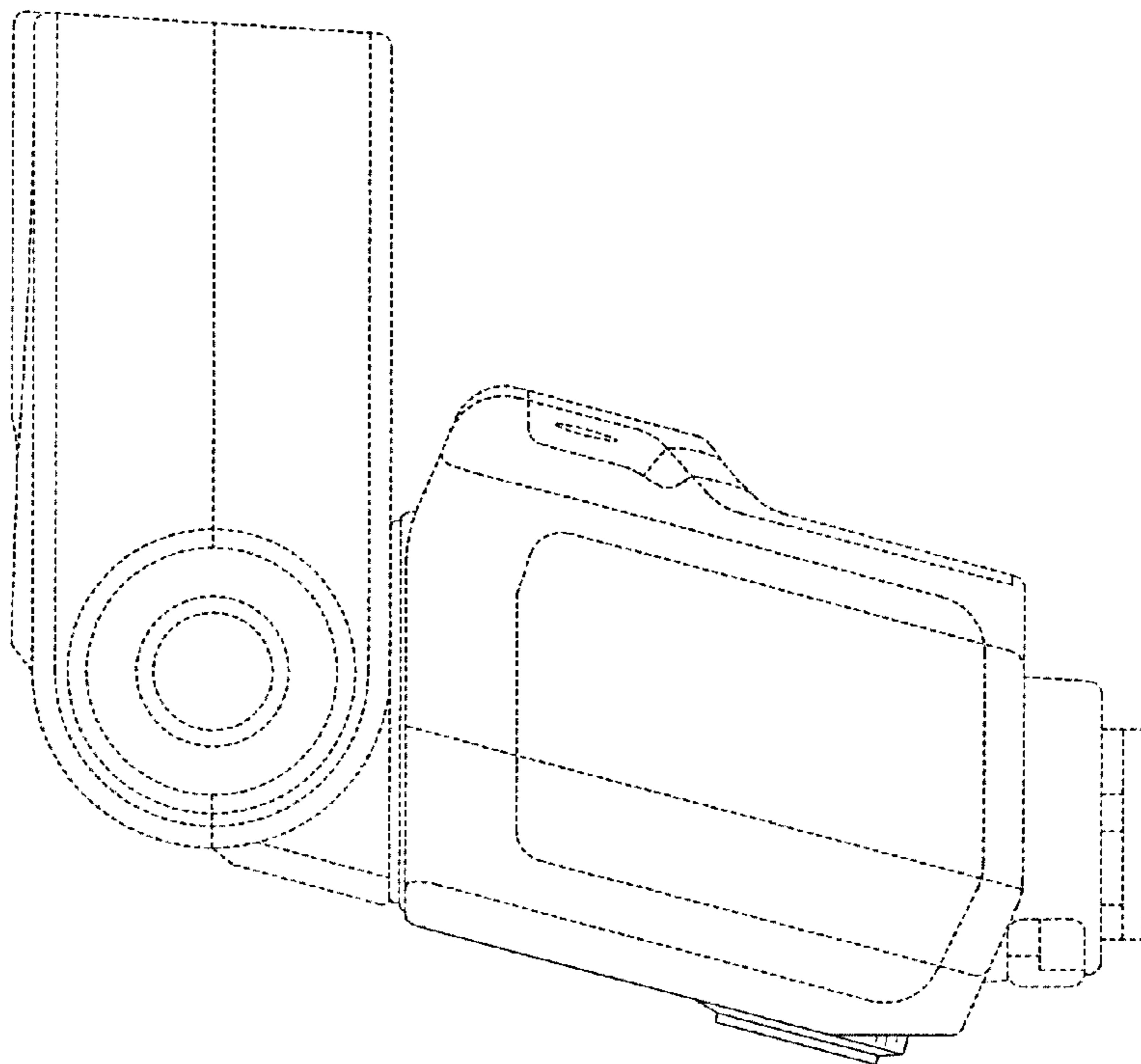


FIG.6

