



US00D696709S

(12) **United States Design Patent**  
**Sato**

(10) **Patent No.:** **US D696,709 S**  
(45) **Date of Patent:** **\*\* Dec. 31, 2013**

(54) **LENS FOR CAMERA**

(75) Inventor: **Jun Sato**, Minato-ku (JP)

(73) Assignee: **FUJIFILM Corporation**, Tokyo (JP)

(\*\*) Term: **14 Years**

(21) Appl. No.: **29/415,920**

(22) Filed: **Mar. 15, 2012**

(30) **Foreign Application Priority Data**

Dec. 26, 2011 (JP) ..... 2011-030033  
Dec. 26, 2011 (JP) ..... 2011-030034  
Dec. 26, 2011 (JP) ..... 2011-030035

(51) **LOC (9) Cl.** ..... **16-05**

(52) **U.S. Cl.**  
USPC ..... **D16/219**

(58) **Field of Classification Search**  
USPC ..... D16/134, 136, 200, 202, 218, 219;  
348/373, 374; 359/826-828;  
396/529-535, 540, 541  
See application file for complete search history.

(56) **References Cited**

**U.S. PATENT DOCUMENTS**

D223,215 S \* 3/1972 Takata ..... D16/134  
4,063,264 A \* 12/1977 Ando et al. .... 396/531

4,457,609 A \* 7/1984 Tomino et al. .... 359/828  
D302,984 S \* 8/1989 Kimura et al. .... D16/134  
D341,611 S \* 11/1993 Takahashi ..... D16/219  
D375,969 S \* 11/1996 Watanabe ..... D16/219  
D425,088 S \* 5/2000 Watanabe ..... D16/219  
D552,147 S \* 10/2007 Tajima et al. .... D16/219  
7,625,144 B2 \* 12/2009 Kranz et al. .... 396/529

\* cited by examiner

*Primary Examiner* — Adir Aronovich

(74) *Attorney, Agent, or Firm* — Sughrue Mion, PLLC

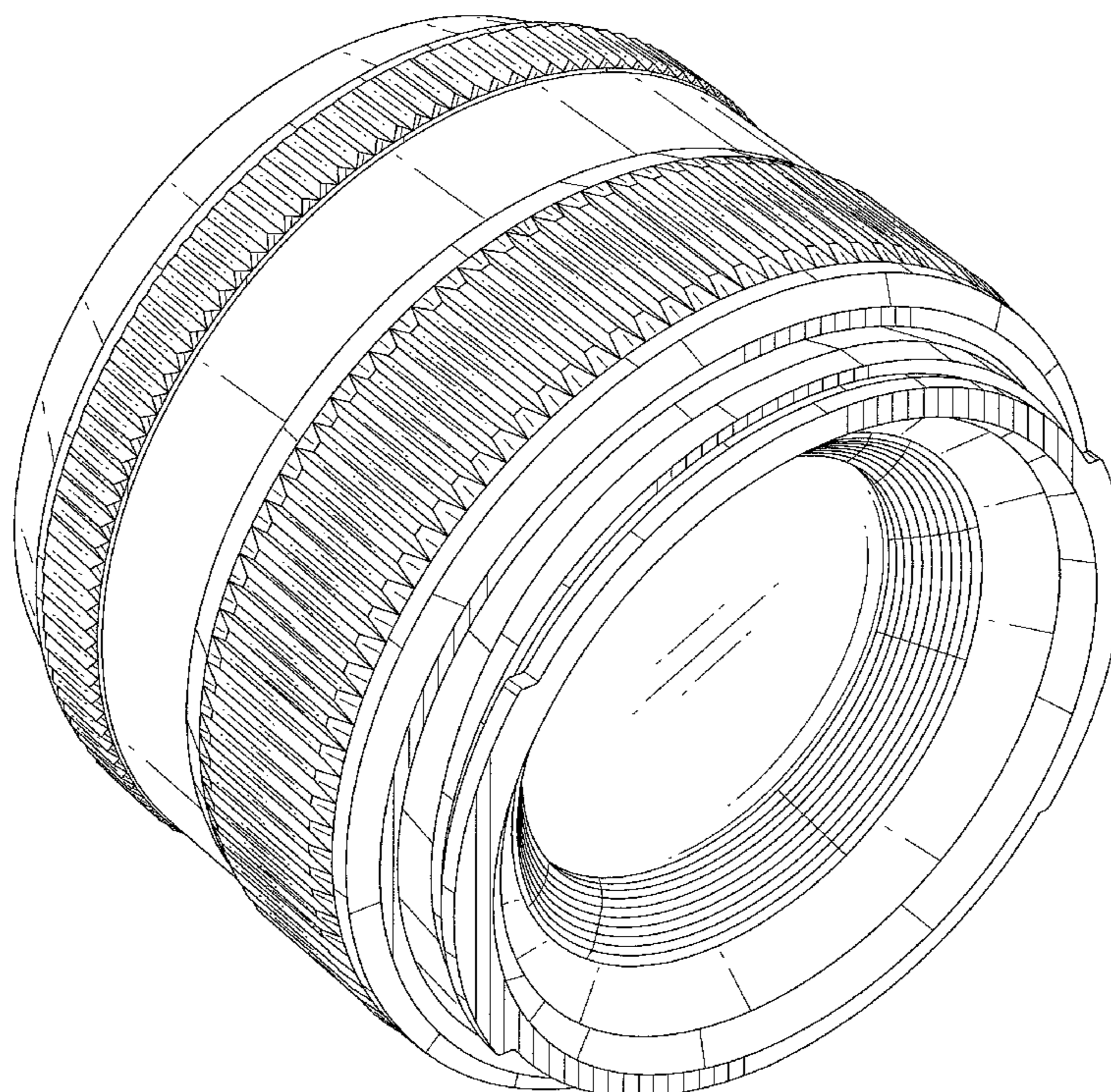
(57) **CLAIM**

The ornamental design for a lens for camera, as shown and described.

**DESCRIPTION**

FIG. 1 is a top, front and left side perspective view of a lens for camera showing my new design;  
FIG. 2 is a front elevational view thereof;  
FIG. 3 is a rear elevational view thereof;  
FIG. 4 is a top plan view thereof;  
FIG. 5 is a bottom plan view thereof;  
FIG. 6 is a left side elevational view thereof;  
FIG. 7 is a right side elevational view thereof; and,  
FIG. 8 is a top, front and left side perspective view thereof showing the lens in use, a camera in broken lines is shown to illustrate environment only and forms no part of the claimed design.

**1 Claim, 8 Drawing Sheets**



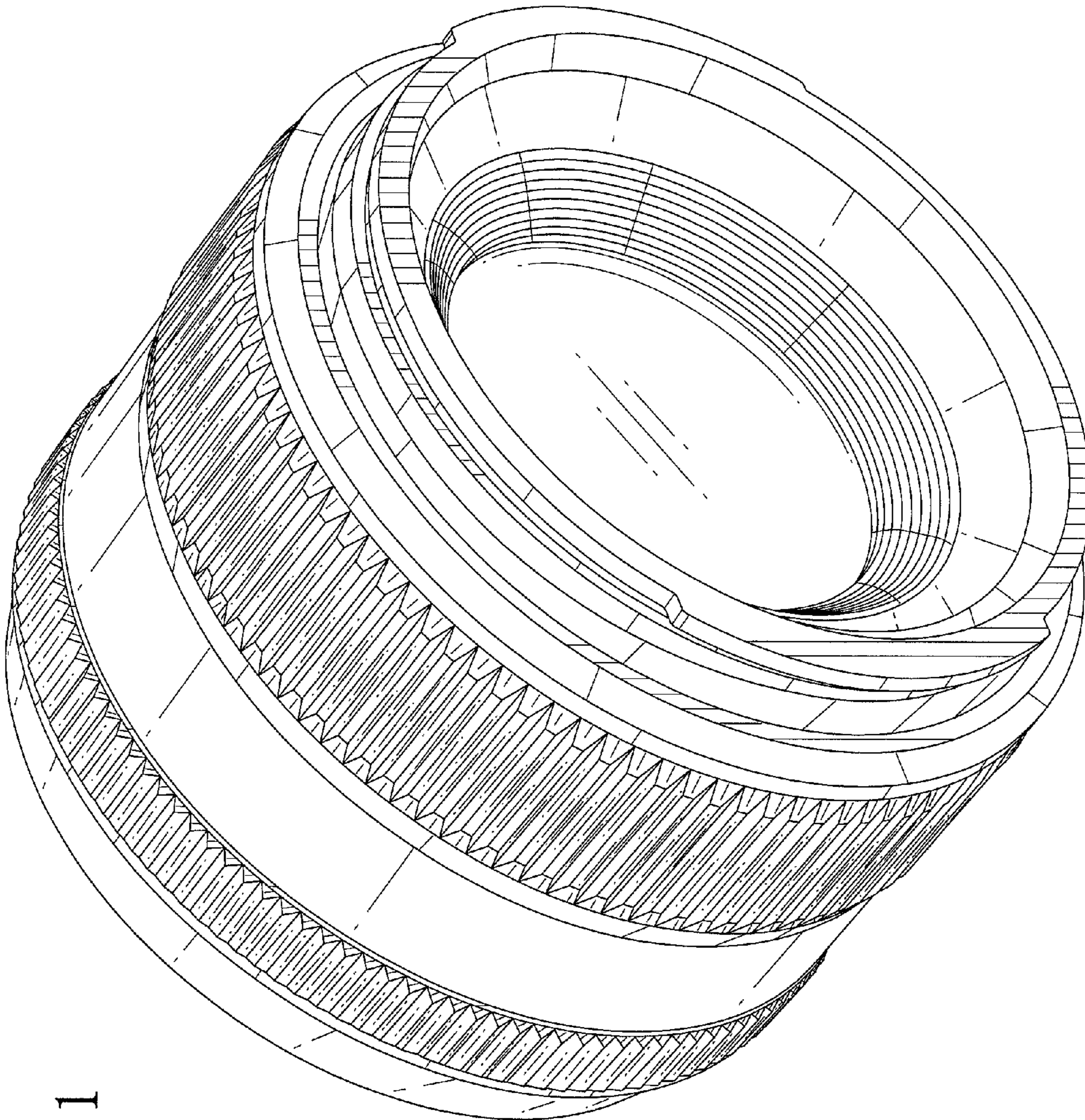


FIG. 1

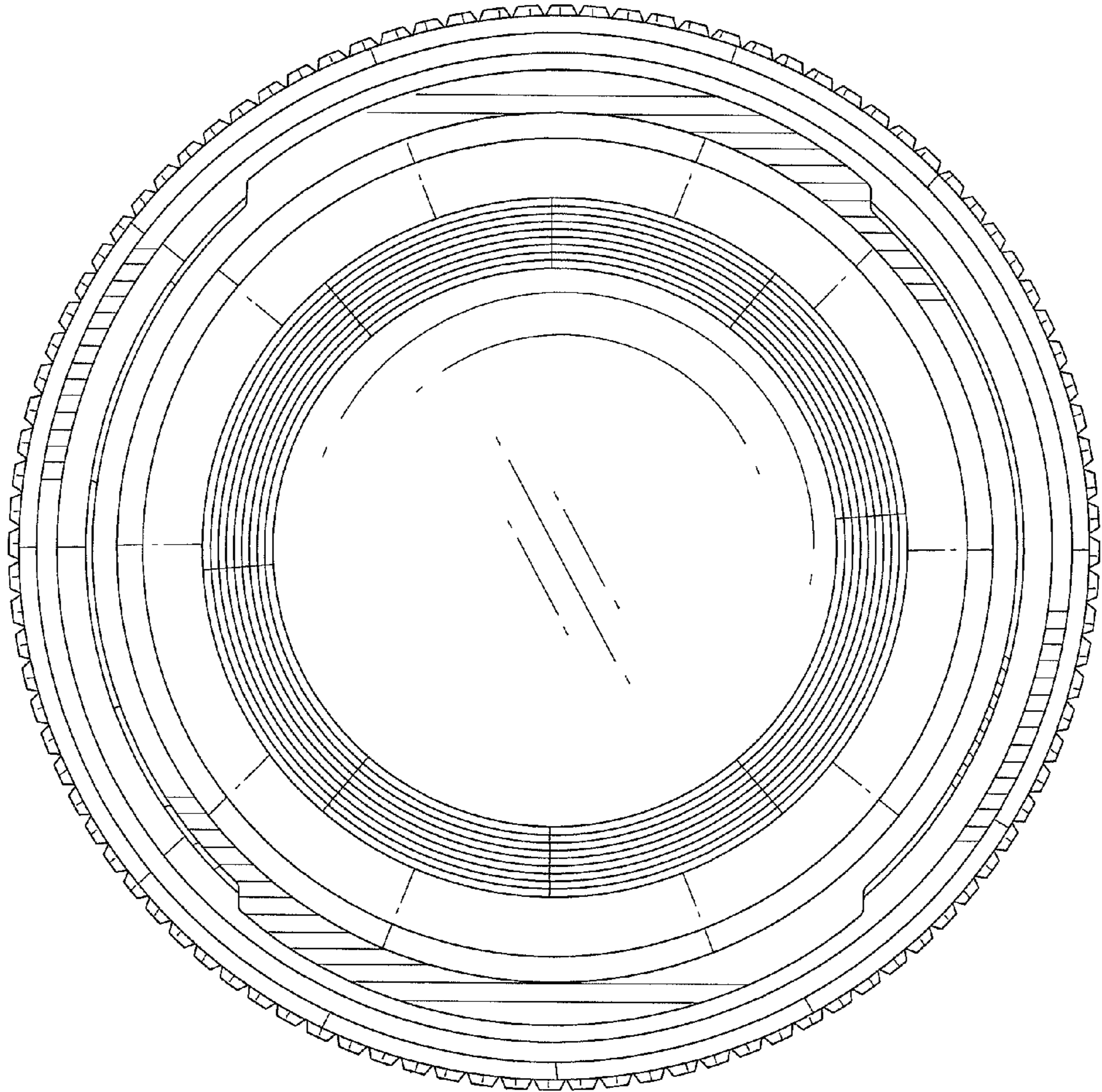


FIG. 2

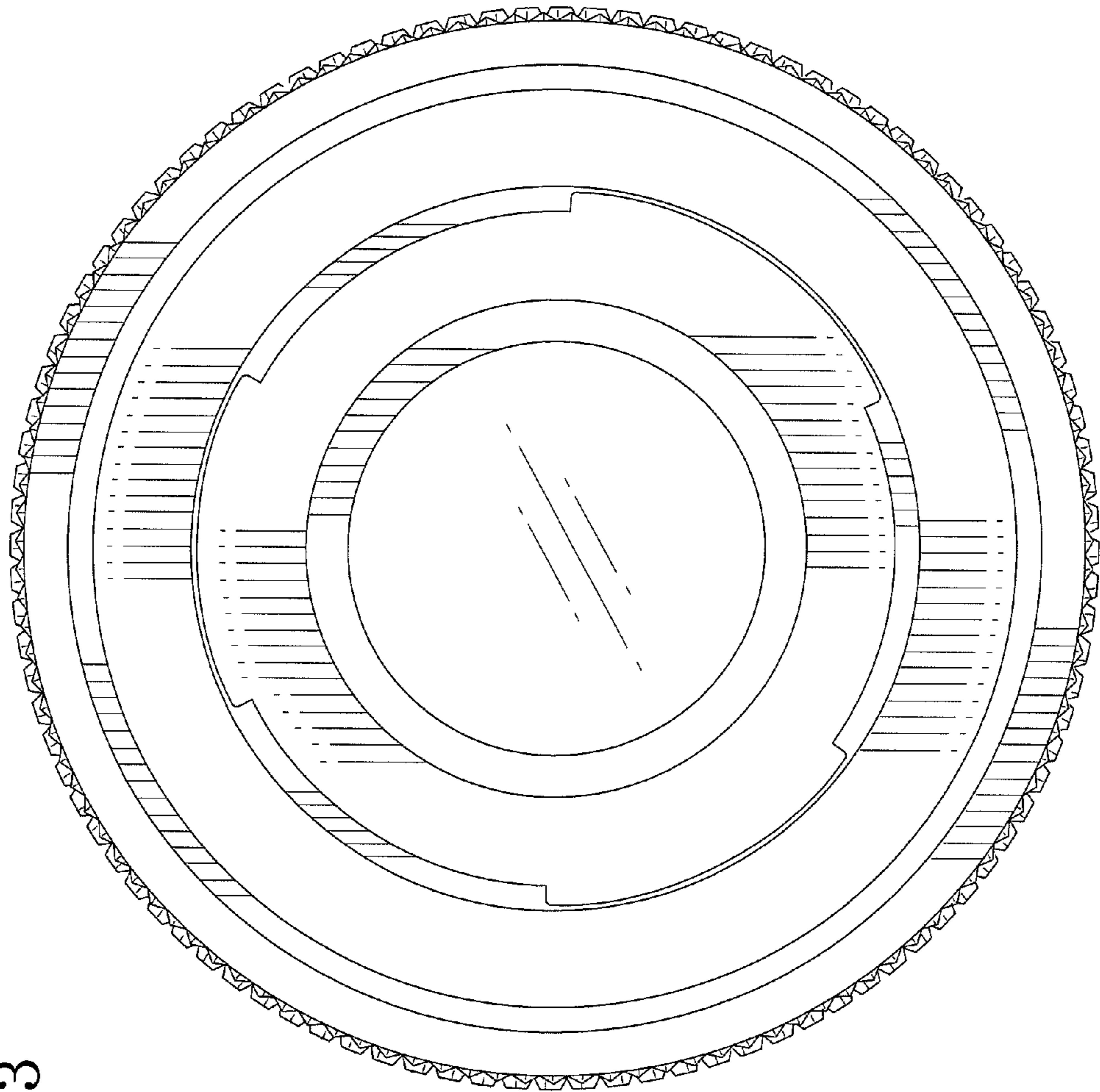


FIG. 3

FIG. 4

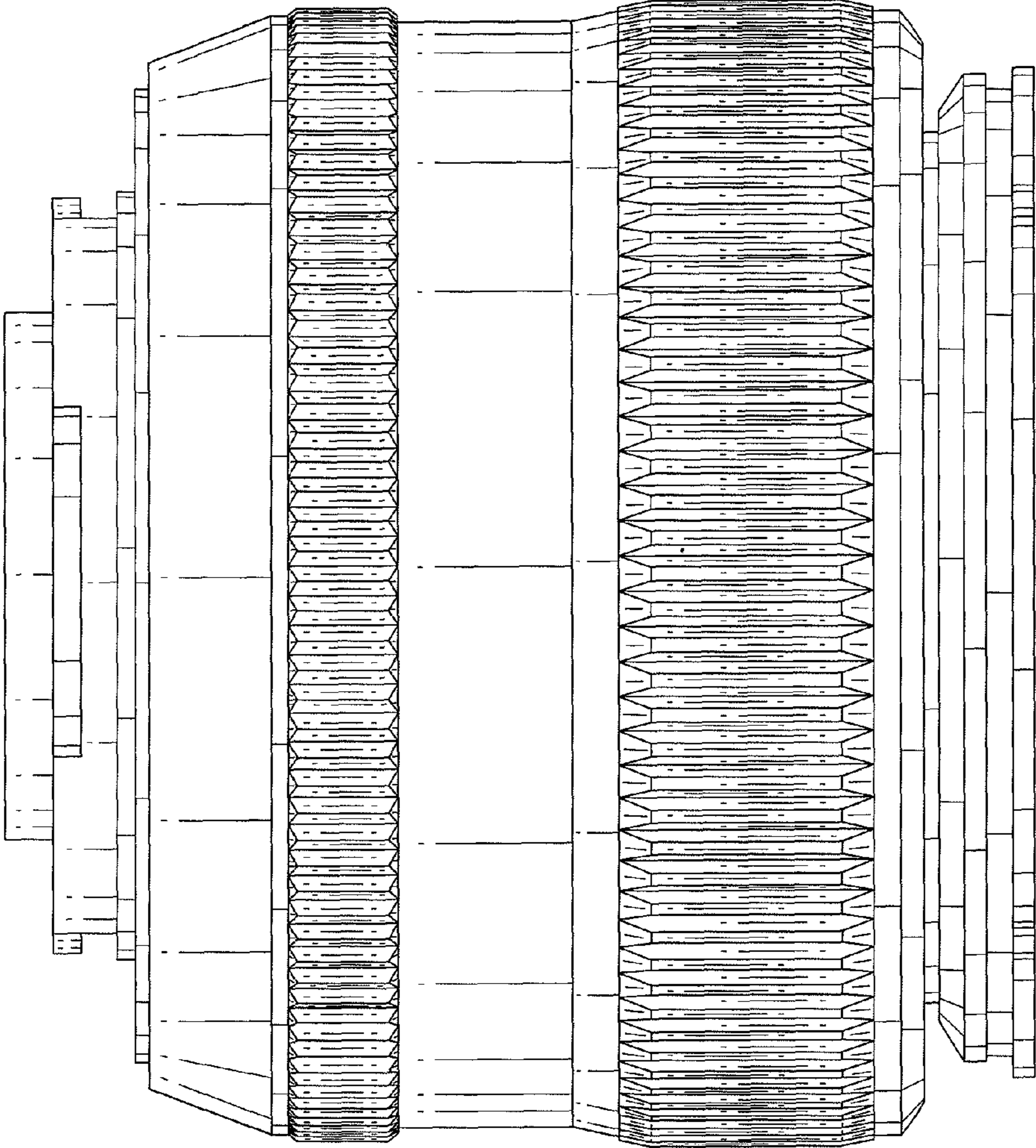
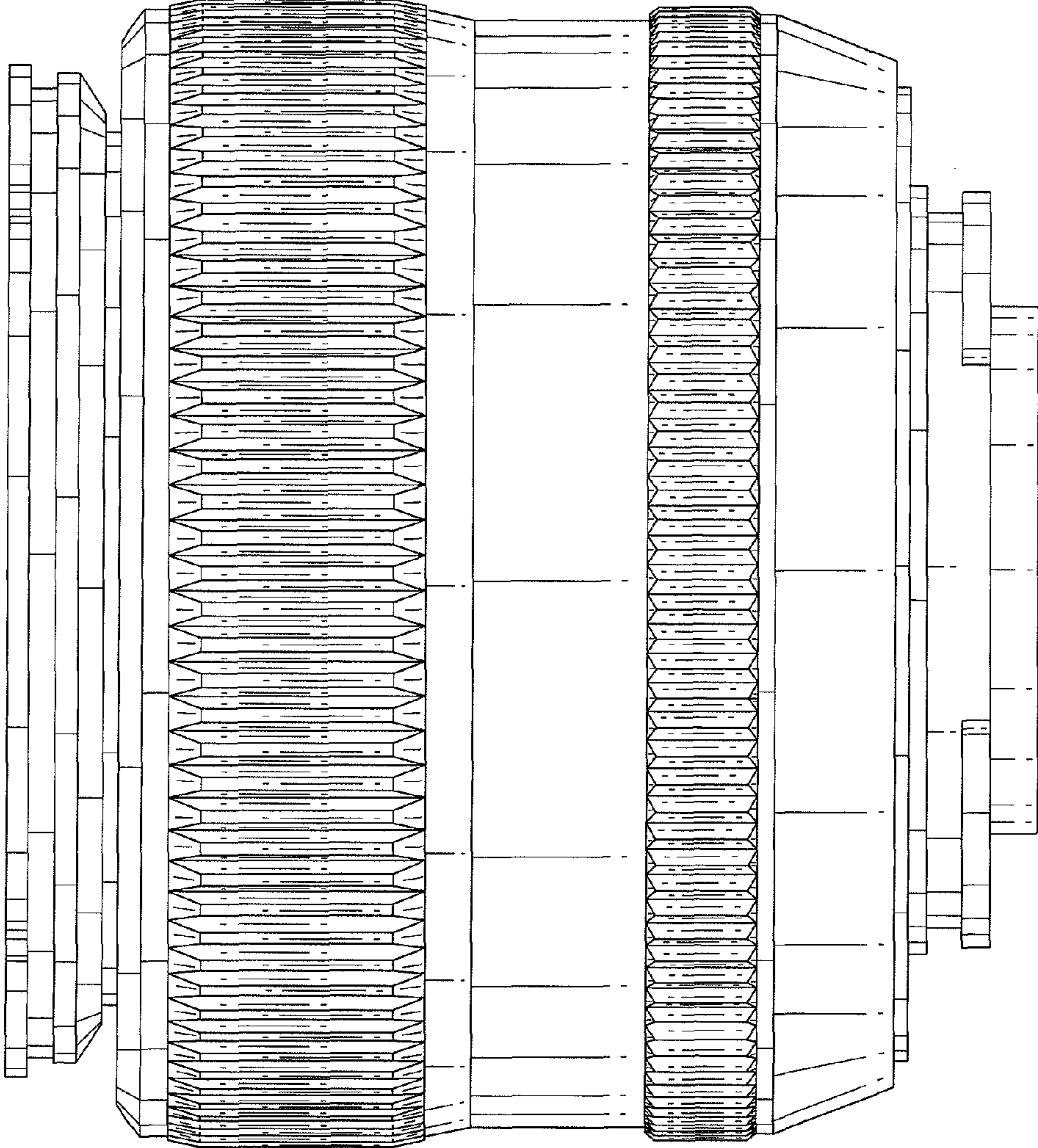


FIG. 5



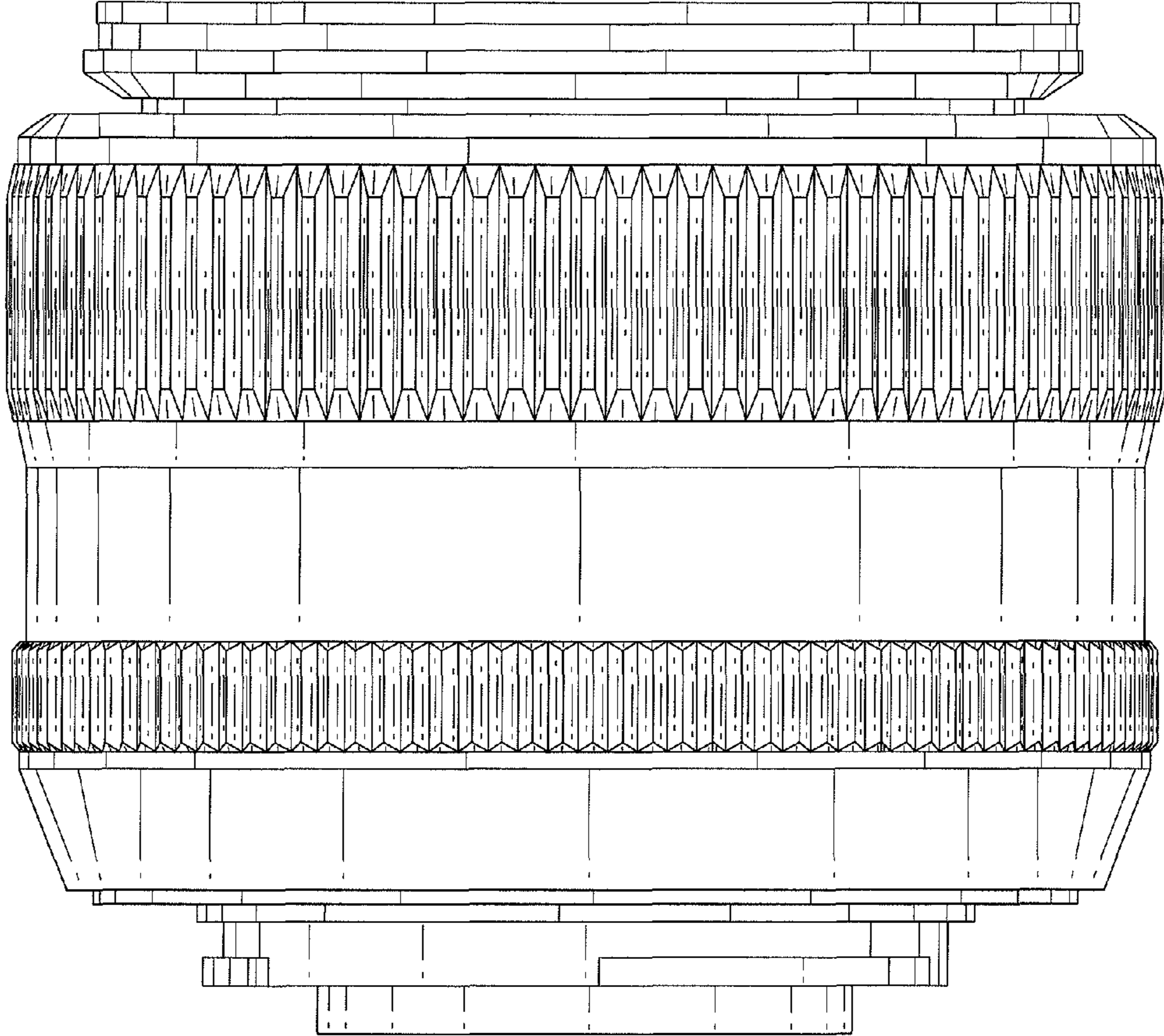


FIG. 6

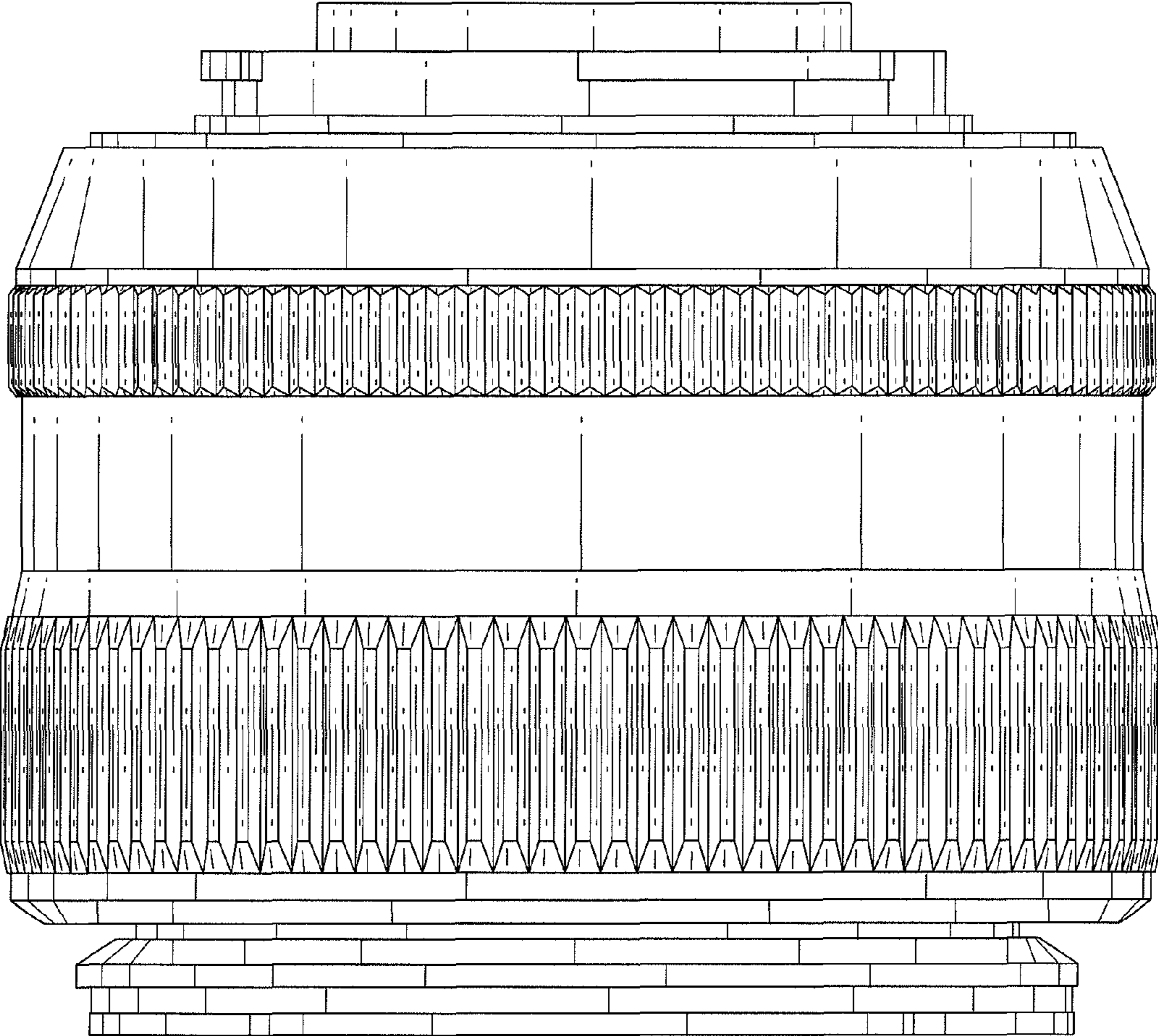


FIG. 7



FIG. 8

