



US00D696708S

(12) **United States Design Patent**
Clark et al.

(10) **Patent No.:** **US D696,708 S**
(45) **Date of Patent:** **** Dec. 31, 2013**

(54) **CAMERA SYSTEM**

Primary Examiner — Adir Aronovich

(76) Inventors: **Robert F. Clark**, Baldwinsville, NY (US); **Vincent A. Primerano**, Camillus, NY (US)

(57) **CLAIM**
The ornamental design for camera system, as shown and described.

(**) Term: **14 Years**

DESCRIPTION

(21) Appl. No.: **29/383,286**

(22) Filed: **Jan. 14, 2011**

Related U.S. Application Data

(63) Continuation of application No. 12/987,205, filed on Jan. 10, 2011.

(51) **LOC (9) Cl.** **16-01**

(52) **U.S. Cl.**
USPC **D16/208; D24/152**

(58) **Field of Classification Search**
USPC D16/200, 208, 218, 242; D24/137, 138, D24/152; 348/45, 75; 600/109, 118, 131
See application file for complete search history.

FIG. 1 is a perspective view of a new and ornamental design for a camera system, with an electric cord shown in phantom for illustrative purposes only and forming no part of the claimed design;
FIG. 2 is a front plan view thereof, with an electric cord shown in phantom for illustrative purposes only and forming no part of the claimed design;
FIG. 3 is a rear plan view thereof, with an electric cord shown in phantom for illustrative purposes only and forming no part of the claimed design;
FIG. 4 is a side elevation view thereof, with an electric cord shown in phantom for illustrative purposes only and forming no part of the claimed design;
FIG. 5 is an opposite side elevation view thereof, with an electric cord shown in phantom for illustrative purposes only and forming no part of the claimed design;
FIG. 6 is a top plan view thereof, with an electric cord shown in phantom for illustrative purposes only and forming no part of the claimed design; and,
FIG. 7 is a bottom plan view thereof, with an electric cord, rectangular electrical contacts, and round foot pads shown in phantom for illustrative purposes only and forming no part of the claimed design.

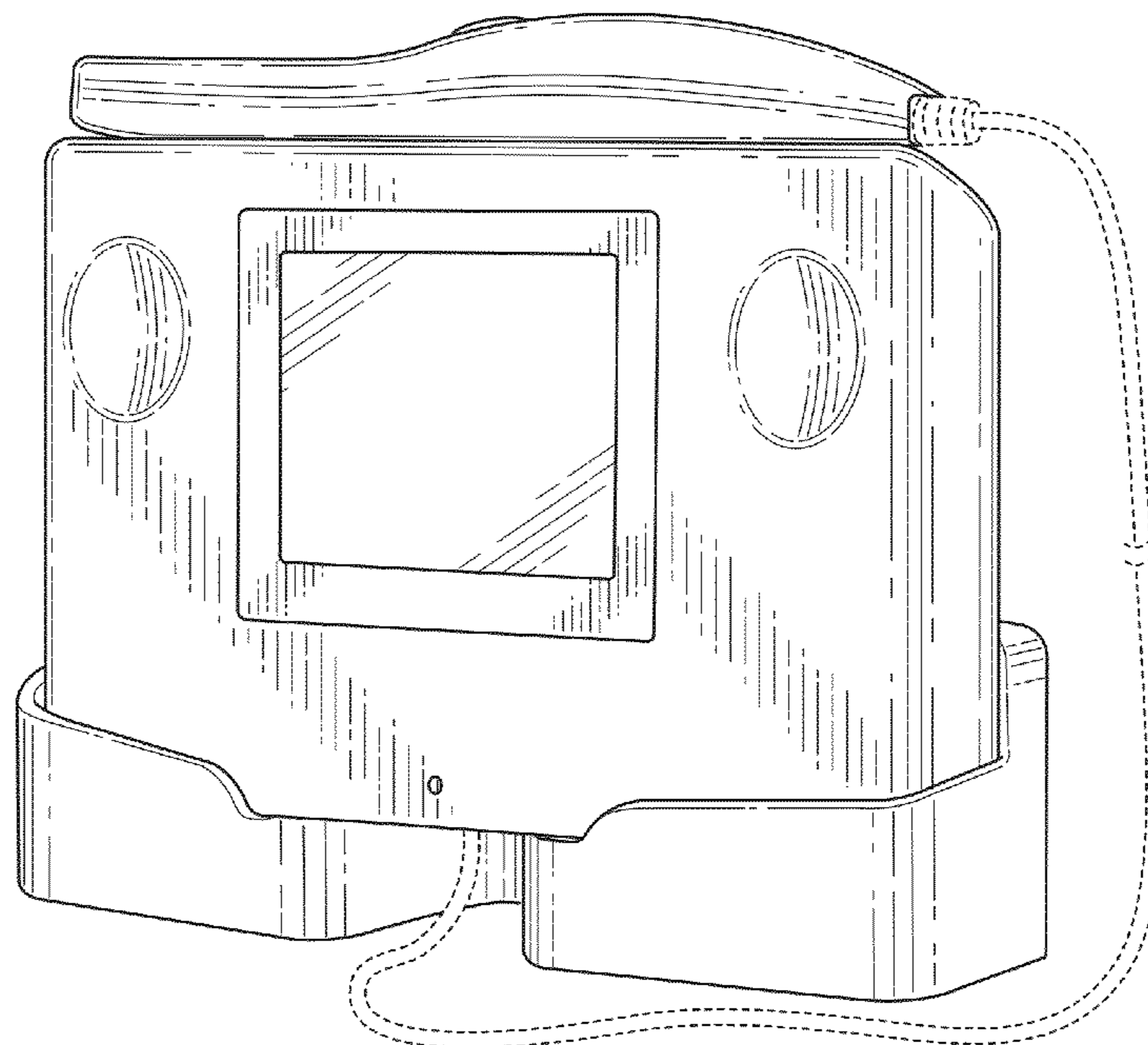
(56) **References Cited**

U.S. PATENT DOCUMENTS

D358,471 S *	5/1995	Cope et al.	D24/138
6,414,708 B1 *	7/2002	Carmeli et al.	348/45
6,692,432 B1 *	2/2004	Yarush et al.	600/109
6,956,601 B2 *	10/2005	Squilla et al.	348/75
D544,010 S *	6/2007	Martin	D16/208
D639,945 S *	6/2011	Goerge et al.	D24/152

* cited by examiner

1 Claim, 5 Drawing Sheets



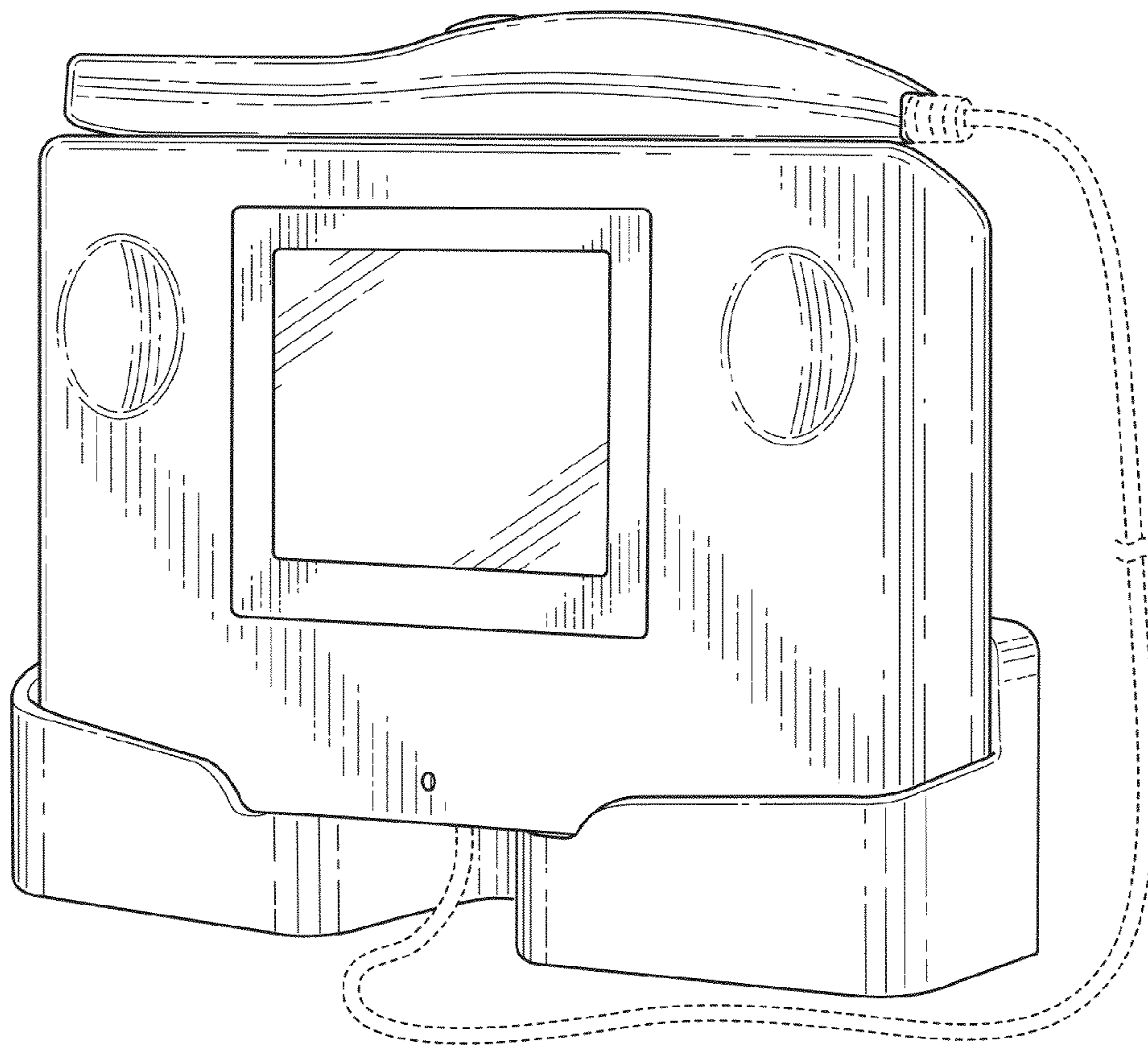


FIG. 1

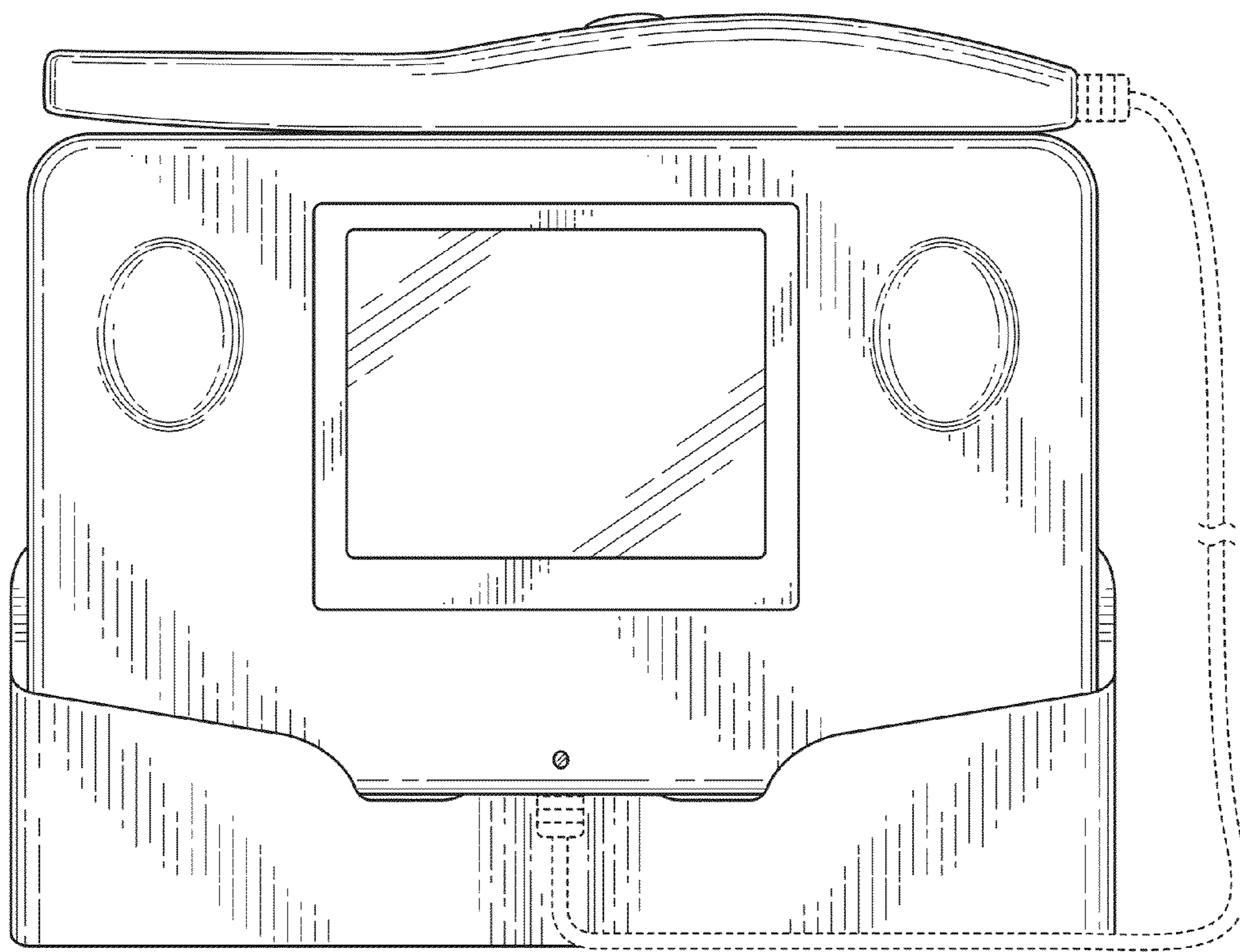


FIG. 2

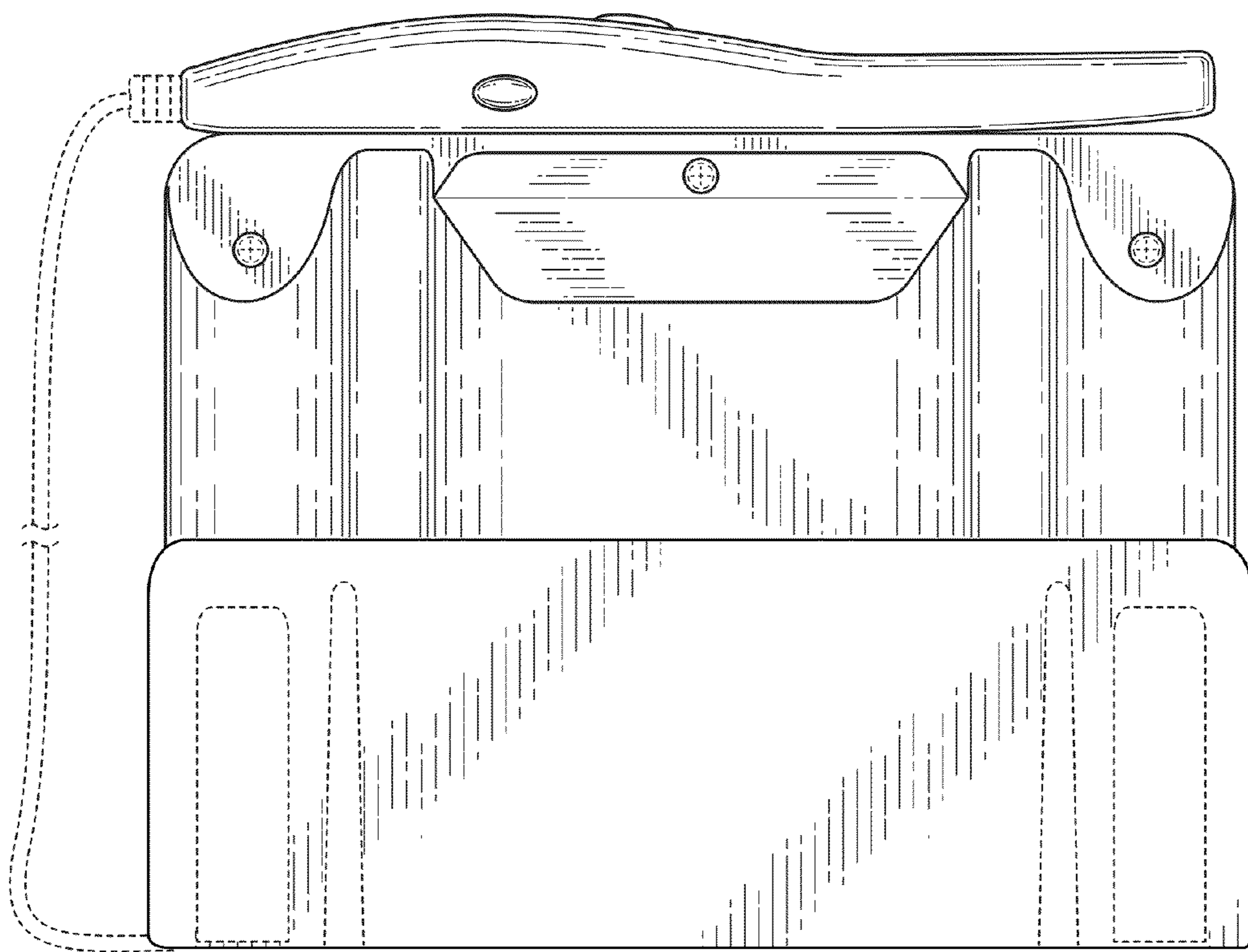


FIG. 3

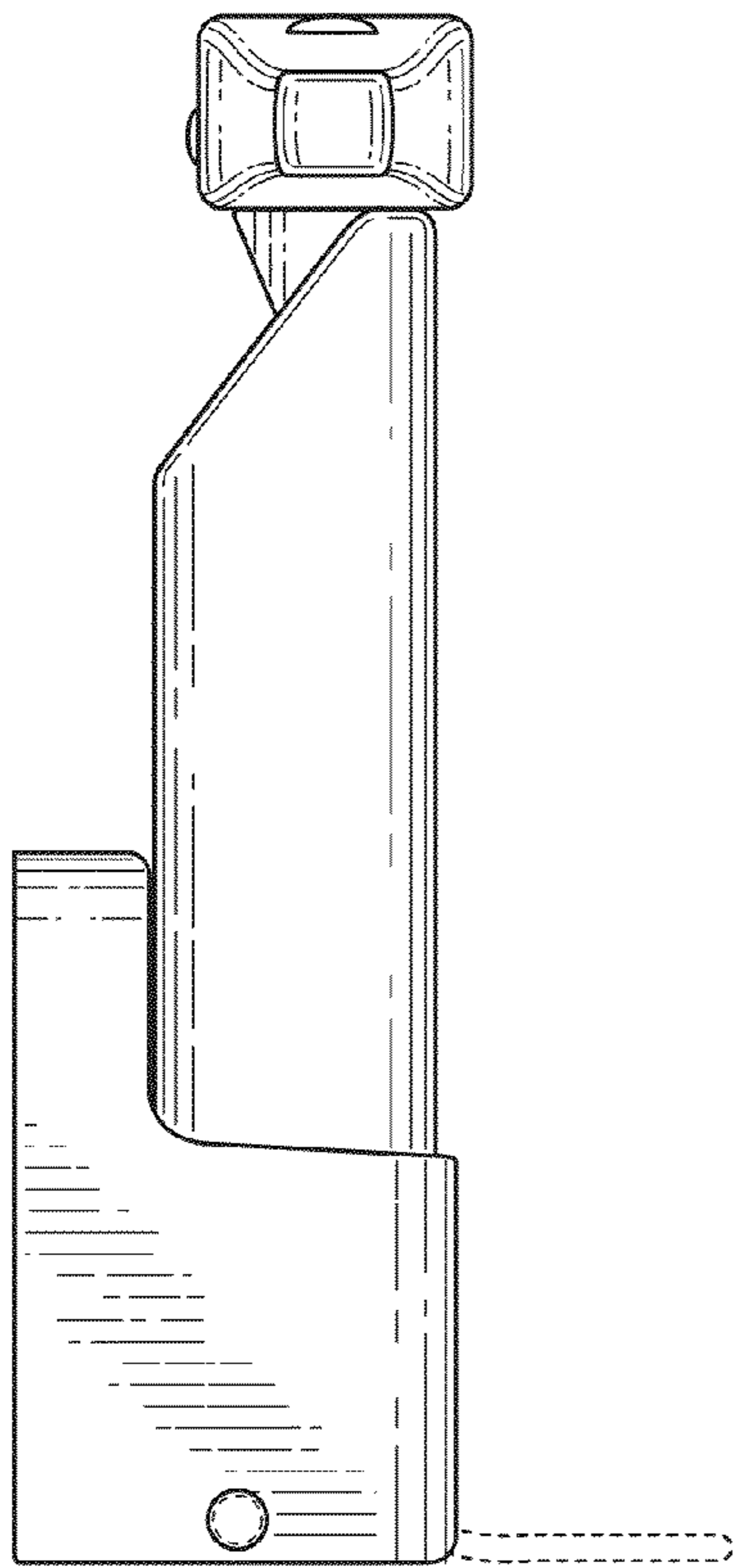


FIG. 4

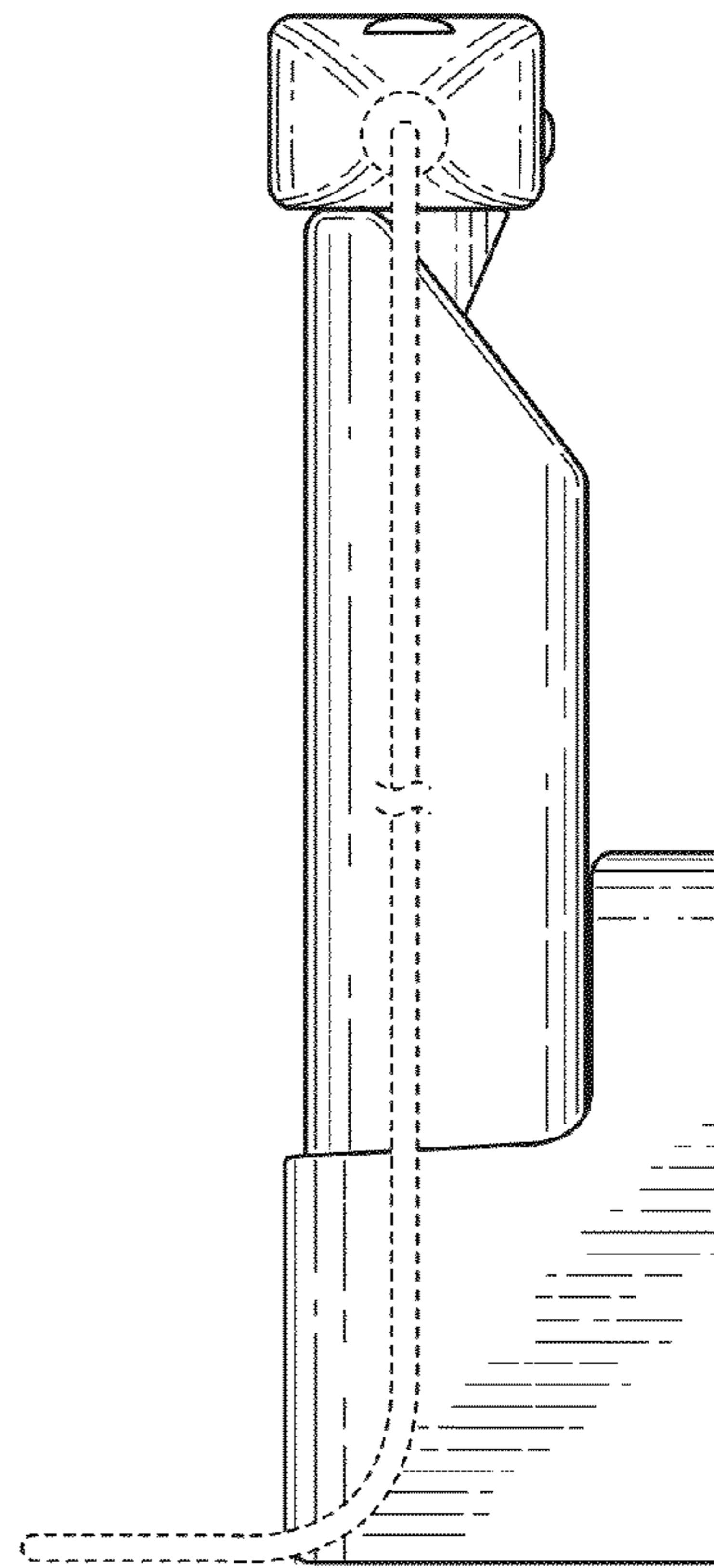


FIG. 5

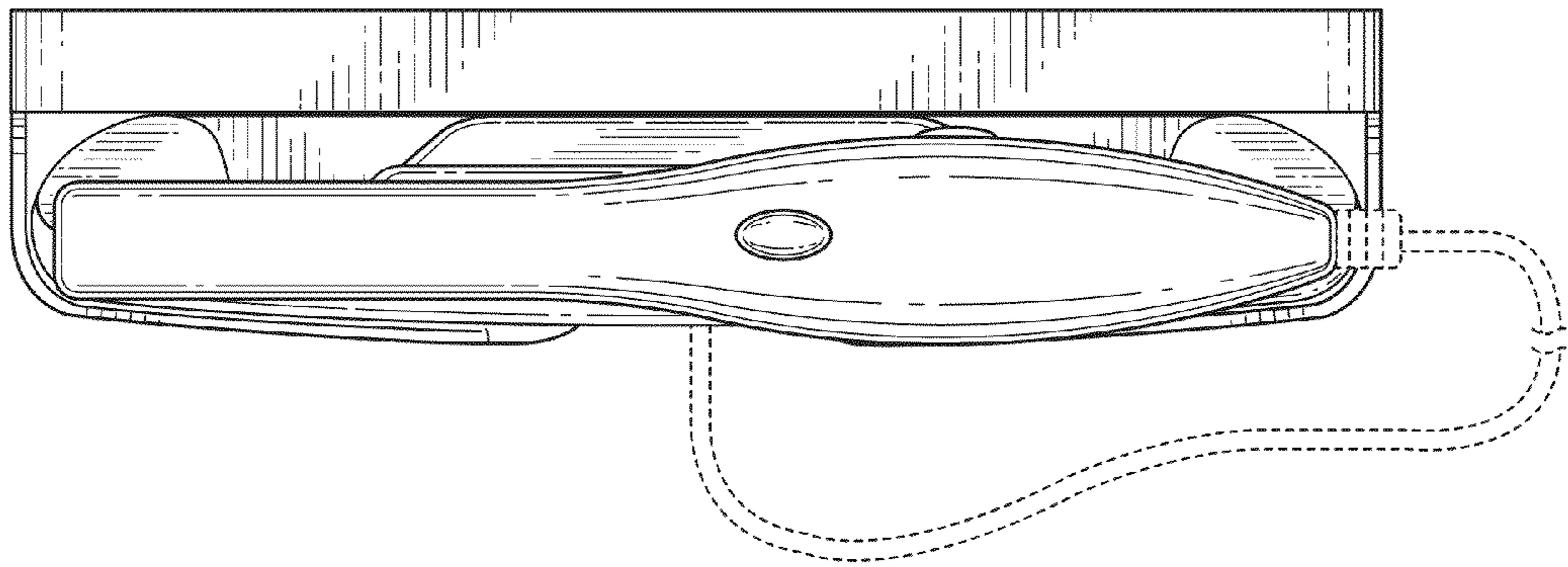


FIG. 6

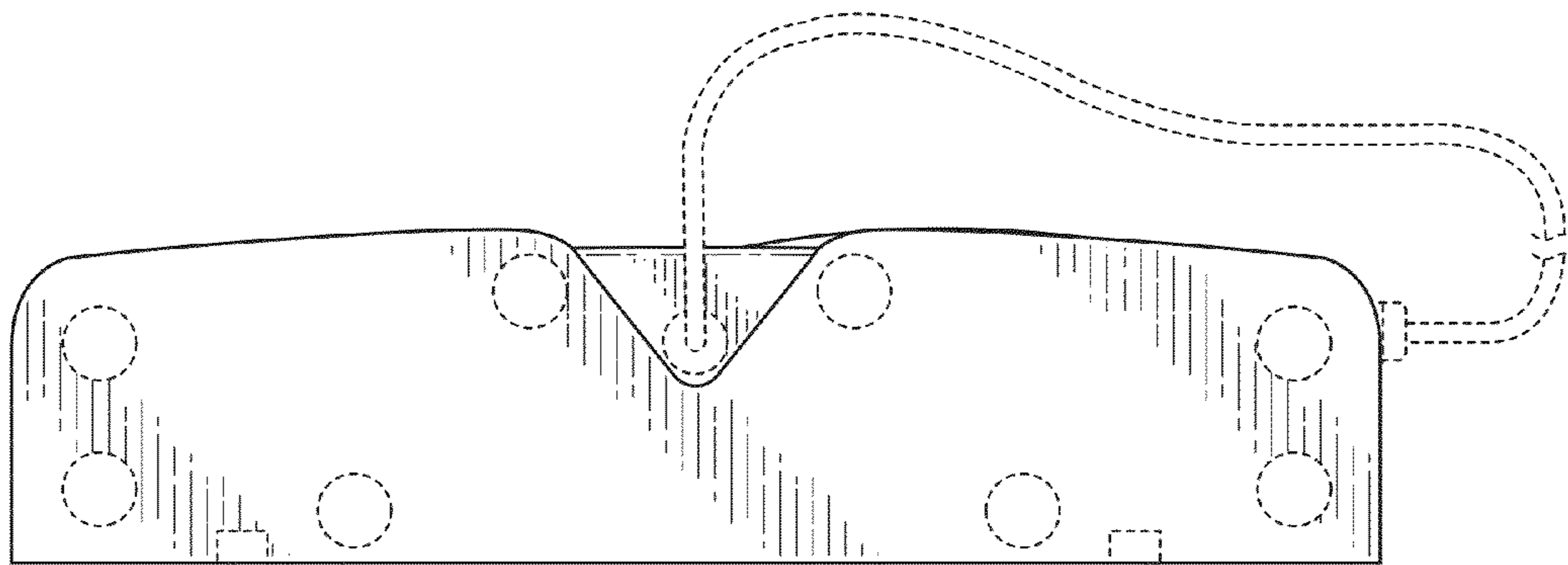


FIG. 7